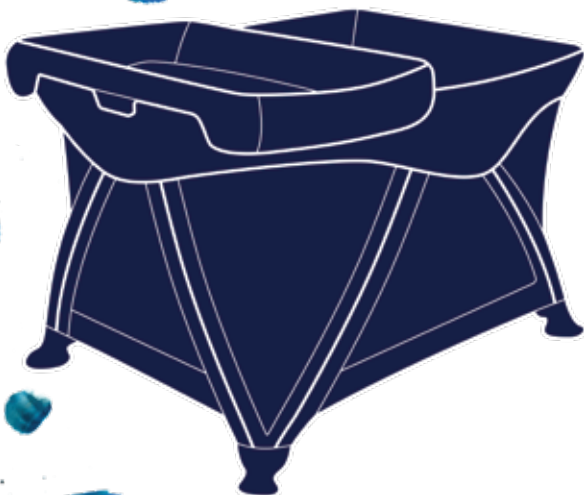


Read all instructions **BEFORE** assembly and **USE** of product.
KEEP INSTRUCTIONS FOR FUTURE USE

sena™ aire + changer



nuna®



Thank you!

You've just purchased a Nuna product, and you can be sure that your child is getting the best there is. Our products are expertly engineered for safety, with luxury fabrics and sophisticated style. Whatever made you fall in love with Nuna, rest assured your adventures with your little one will be easier from now on, freeing you to enjoy more happy family moments together.



**IMPORTANT!
KEEP THESE
INSTRUCTIONS FOR
FUTURE REFERENCE:
*READ CAREFULLY***

Contents

Product Information

Product Registration	4
Warranty	4
Contact	4

Child Usage Requirements

5

Warnings

6

Play Yard	6
Bassinet	8
Changer	10

Parts List

12

Product Set Up

14

Product Use

16

Accessory

24

Cleaning and Maintenance

24

Changer Soft Goods Removal

26

Product Information

Model Number: _____

Manufactured in (date): _____

Product Registration

Please fill in the above information. The model number and the manufactured in date are located on a label on the bottom of the play yard. Fill out the prepaid registration postcard attached to the product and mail it today.

To register your product please visit:

www.nunababy.com

Click on the “Register Gear” link on the homepage.

Warranty

We have purposely designed our high-quality products so that they can grow with both your child and your family. Because we stand by our product, our gear is covered by a custom warranty per product, starting from the day it was purchased. Please have the proof of purchase, model number and manufactured in date available when you contact us.

For warranty information please visit:

www.nunababy.com/warranty

Contact

For replacement parts, service, or additional warranty questions, please contact our customer service department

infousa@nunababy.com

www.nunababy.com

1.855.NUNA.USA

Child Usage Requirements

SENA™ aire

This product is suitable for use from birth with children who meet the following requirements:

Weight: up to 30 lb (14 kg) maximum

Height: 35 inches (890 mm)

Discontinue use of the bassinet when child can push up on hands and knees (approximately 3–5 months) or weighs more than 15 lb (6.8 kg).

Discontinue use of this play yard when child is able to climb out.

Changer

The changer is suitable for use with children who meet the following requirements:

Weight: up to 24 lb (11 kg) (approximately 0–12 months)

Discontinue use of the changer when child is able to climb out or can sit unaided.

⚠️WARNING

Failure to follow these warnings and the instructions could result in serious injury or death.

PLAY YARD WARNINGS

Be sure the product is completely set up before use, including side rails fully erected, center of the floor pushed down completely, and mattress/pad flat and secured by the hook and loop straps.

NEVER use this product if there are any loose or missing fasteners, loose joints, broken parts, or torn mesh/fabric. Check before assembly and periodically during use. Contact Nuna for replacement parts. Never substitute parts.

ALWAYS provide the supervision necessary for the continued safety of your child. When used for playing, never leave child unattended.

Discontinue use of this product when child is able to climb out, reaches the height of 35 inches (890 mm), or weighs more than 30 lb (14 kg).

Child can become entrapped and die when improvised netting or covers are placed on top of product. **NEVER** add such items to confine child in product.

When child is able to pull to standing position, remove bumper pads, large toys, and other objects that could serve as steps for climbing out.

Be sure side rails are locked in position whenever child is in product.

To reduce the risk of **SIDS**, pediatricians recommend healthy infants be placed on their back to sleep, unless otherwise advised by your physician.

DO NOT place the play yard close to an open fire or other heat source such as stoves, heaters, fireplaces and other hazards which can cause injury to your child.

If a sheet is used with the pad, use only the one provided by Nuna or one specifically designed to fit the dimension of the pad.

DO NOT modify play yard or add any attachments that are not listed in the owner's manual.

SUFFOCATION HAZARDS

Infants can suffocate

- In gaps between a mattress too small or too thick and product sides
- On soft bedding.

NEVER add a mattress, pillow, comforter, or padding.

Use **ONLY** mattress/pad provided by Nuna. Using a thicker or a different sized mattress/pad may allow a child's head to get between mattress/pad and side of the play yard causing suffocation.

NEVER use plastic shipping bags or other plastic film as mattress covers not sold and intended for that purpose. They can cause suffocation.

NEVER use the mattress without the boards installed.

NEVER use a water mattress with this product.

STRANGULATION HAZARDS

Strings can cause strangulation! **NEVER** place items with a string around a child's neck such as hood strings or pacifier cords. **NEVER** suspend strings over product or attach strings to toys.

NEVER place product near a window where cords from blinds or drapes can strangle a child.

BASSINET WARNINGS

The bassinet must be fully assembled and installed before using, including the zipper is completely zipped and locked, hook and loop closures are attached, and mattress/pad is flat, before using.

NEVER use this product if there are any loose or missing fasteners, loose joints, broken parts, or torn mesh/fabric. Check before assembly and periodically during use. Contact Nuna for replacement parts. Never substitute parts.

You are responsible to provide adult supervision when using your bassinet.

ALWAYS keep the bassinet away from hazards in the area that may injure your child.

SUFFOCATION HAZARD

Infants have suffocated

- In gaps between extra padding and side of the bassinet.
- On soft bedding:
Use **ONLY** mattress/pad provided by Nuna.
NEVER add a pillow, comforter, or another mattress for padding.

FALL HAZARD

To help prevent falls, do not use this product when the infant begins to push up on hands and knees or has reached 15 lb (6.8 kg), whichever comes first.

STRANGULATION HAZARDS

Strings can cause strangulation! Do not place items with a string around a child's neck, such as hood strings or pacifier cords. Do not suspend strings over a bassinet or attach strings to toys.

NEVER place the product near a window where cords from blinds or drapes can strangle a child.

To reduce the risk of SIDS, pediatricians recommend healthy infants be placed on their backs to sleep, unless otherwise advised by your physician.

Use bassinet with only one child at a time.

Child can become entrapped and die when improvised netting or covers are placed on top of product. Never add such items to confine child in product.

ENTRAPMENT HAZARDS

NEVER leave bassinet in place when child is in play yard.

If a sheet is used with the pad, use only the one provided by Nuna or one specifically designed to fit the dimension of the mattress/pad.

DO NOT modify bassinet or add any attachments that are not listed in the owner's manual.

NEVER place a child under the bassinet.

CHANGER WARNINGS

DO NOT use the changer if it is damaged or broken.

Discontinue using the changer when child reaches 24 lb (11 kg) (approximately 0–12 months) or is able to climb out or can sit unaided.

FALL HAZARD

Children have suffered serious injuries after falling from changing tables. Falls can happen quickly.

- **STAY** in arm's reach of your child.

- **ALWAYS** secure the changer to the SENA™ aire play yard by sliding the changer onto the top rail. See instructions.
- **DO NOT** use on a bed, counter or other elevated surfaces.
- **DO NOT** carry child in changer.

SUFFOCATION HAZARD

Babies have suffocated while sleeping on changing tables: changing table is not designed for safe sleep.

- **NEVER** allow baby to sleep on changing table.

STRANGULATION HAZARD

Never leave the changer in place when child is in the play yard.

This product is for use on the Nuna SENA™ aire play yard.

DO NOT leave the child unattended.

All assembly fittings shall always be correctly tightened and checked regularly.

Be aware of the risk of open fires and other sources of strong heat, such as electric bar fires, gas fires in the near vicinity of the changing unit.

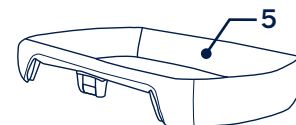
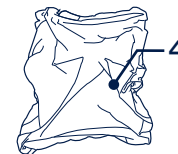
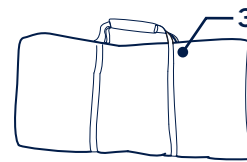
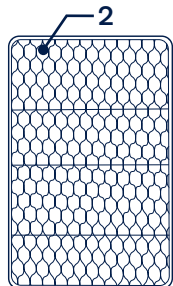
DO NOT use accessories or replacement parts other than those approved by the manufacturer.

DO NOT use the product if any parts are damaged, broken, torn or missing.

Parts List

Make sure all parts are available before assembly.
If any part is missing, please contact Nuna (see page 4
for information). No tools are required for assembly.

- 1 Play Yard/Bassinet
- 2 Mattress
- 3 Storage Bag
- 4 Sheet
- 5 Changer
- 6 Changer Support Tube

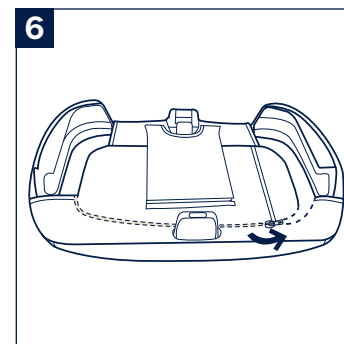
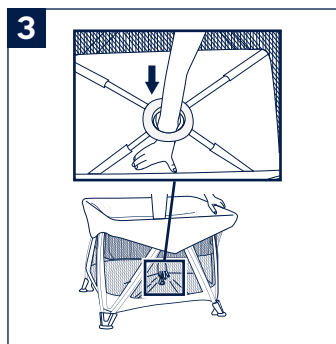
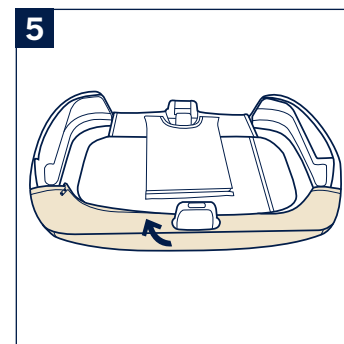
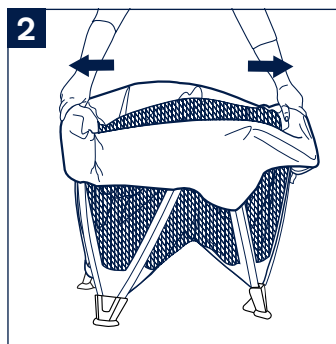
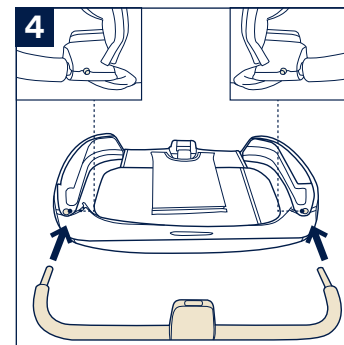
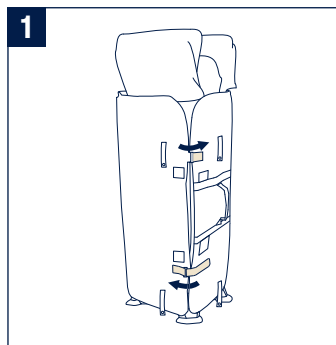


Product Set Up

- 1 - To open the play yard frame, unfasten hook and loop straps from the mattress and unfold.
- 2 - Pull the short sides of the play yard frame outward.
- 3 - Reach through bassinet and push down on the center hub at the bottom of play yard.
MAKE SURE bottom of play yard is pushed all the way to the floor.

Changer Assembly


- 4 - To set up the changer, slide the ends of the changer support tube into the holes on the changer.
- 5 - Wrap the soft goods over the support tube.
- 6 - Zip the soft goods over the support tube to complete changer assembly.

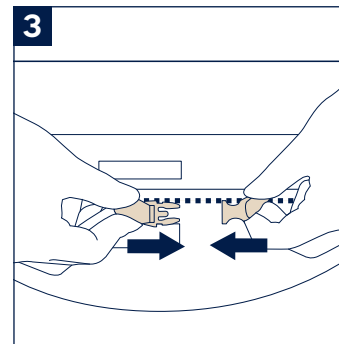
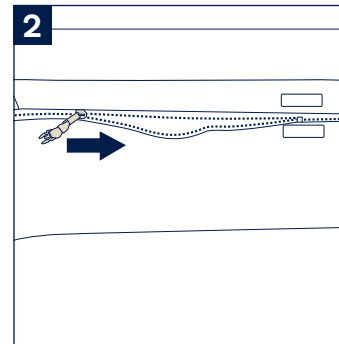


Product Use

Bassinet

- 1 - Place mattress soft side up inside bassinet, and attach the six hook and loop closures. Bassinet setup is complete.
- 2 - To reattach the bassinet after removing for play yard mode (see page 18 for removal instructions), zip the bassinet back onto the play yard and attach the hook and loop closures along the edges.
- 3 - Connect the zipper buckle to lock it.

 The zipper buckle must be locked for secure setup.

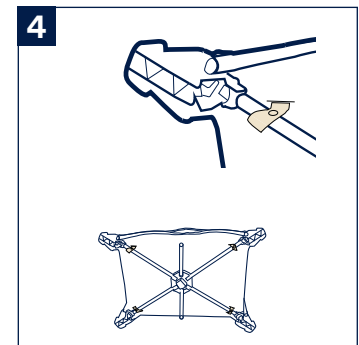
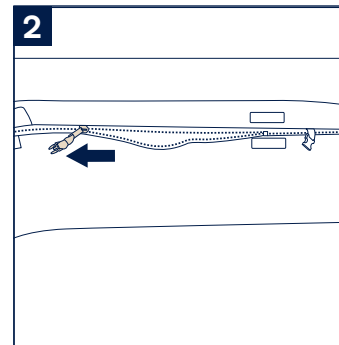
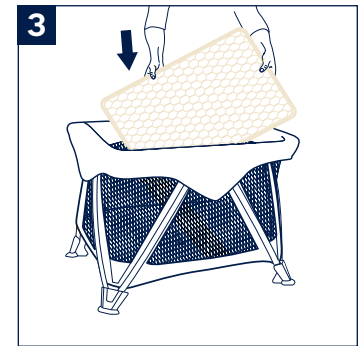
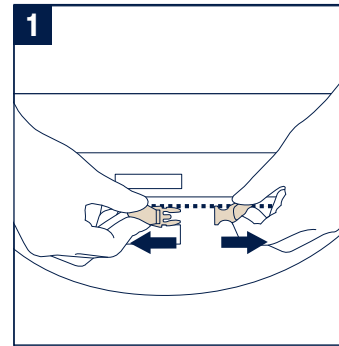


Play Yard

Remove the mattress from the bassinet.

- 1 - Release the zipper buckle inside the bassinet.
- 2 - Unzip the bassinet and remove it from the play yard.
- 3 - Place the mattress on the bottom of the play yard.
- 4 - Attach the mattress by feeding the straps on the mattress corners through the slits in the bottom of the play yard. Pull strap through slit, wrap around tube and fasten snap. Repeat on other corners.

Push down on all four corners of the mattress to ensure the mattress is secured to the bottom of the play yard.



Changer

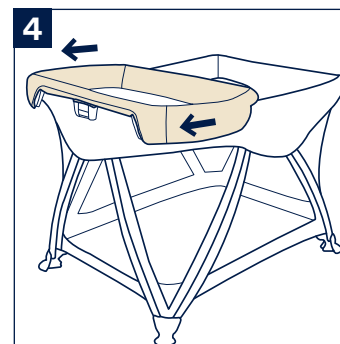
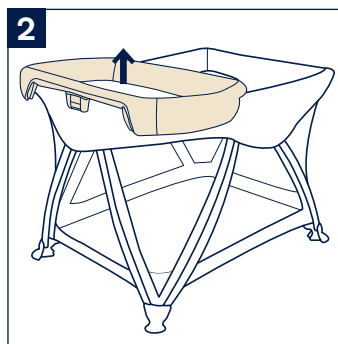
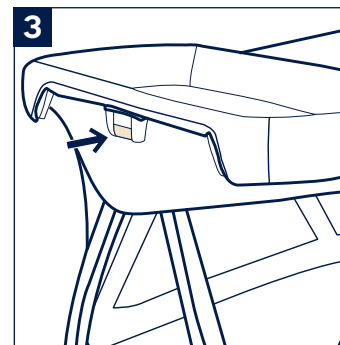
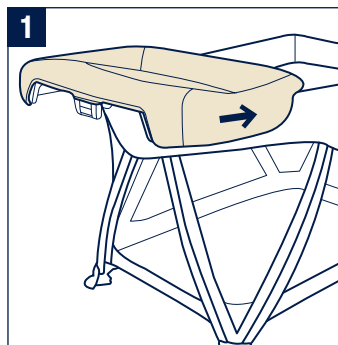
1 - The changer can be attached to either end of the play yard.

To attach the changer, slide the changer on the end of the play yard. The changer release button should be on the outside.

2 - Pull up on the changer to make sure it is securely attached.

3 - To release the changer, press the release button.

4 - While pressing the release button, slide the changer off the play yard.



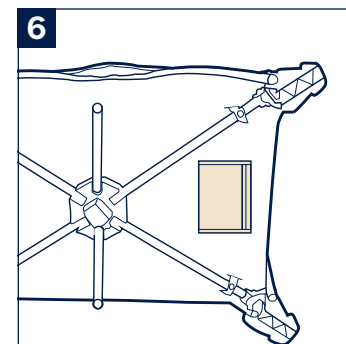
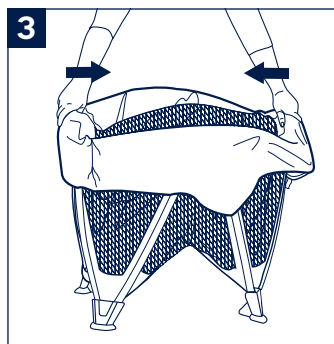
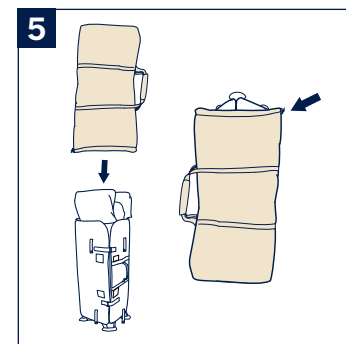
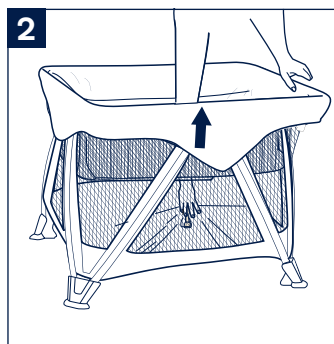
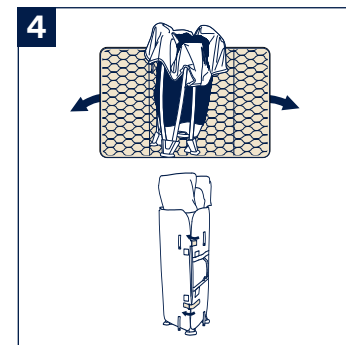
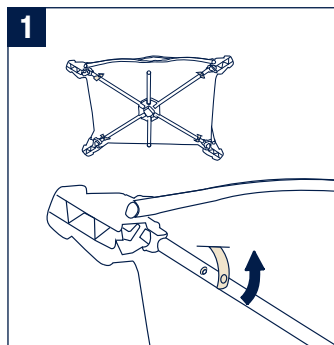
Fold

! Remove the changer before folding the play yard.

- 1 - Release the snap straps. Remove mattress from the play yard.
- 2 - Grab strap on bottom of play yard and pull up.
- 3 - Push sides together towards the center. Do not force.
- 4 - Wrap the unit with the mattress (soft side of the mattress facing in), guide the hook and loop straps through the rings and attach them.
- 5 - Place the bag over the unit and pull the drawstring together.

Instruction Storage

- 6 - Store your instructions underneath the play yard in the storage pocket as shown.



Accessory

⚠️ WARNING

Prevent possible suffocation or entanglement. **NEVER** use play yard sheet unless it fits securely on play yard mattress.

- 1 - Wrap the sheet around the mattress on all four corners. **MAKE SURE** sheet is securely attached to the four corners.
- 2 - Once the sheet is attached place the mattress inside the play yard. **MAKE SURE** that the hook and loop patches on the sheet are securely attached to the four corners of the play yard.

Cleaning and Maintenance

Play Yard and Bassinet

Your play yard and bassinet can be spot cleaned with a sponge and mild soapy water. The covering material is not removable. **DO NOT** soak. **DO NOT** use abrasives or bleach.

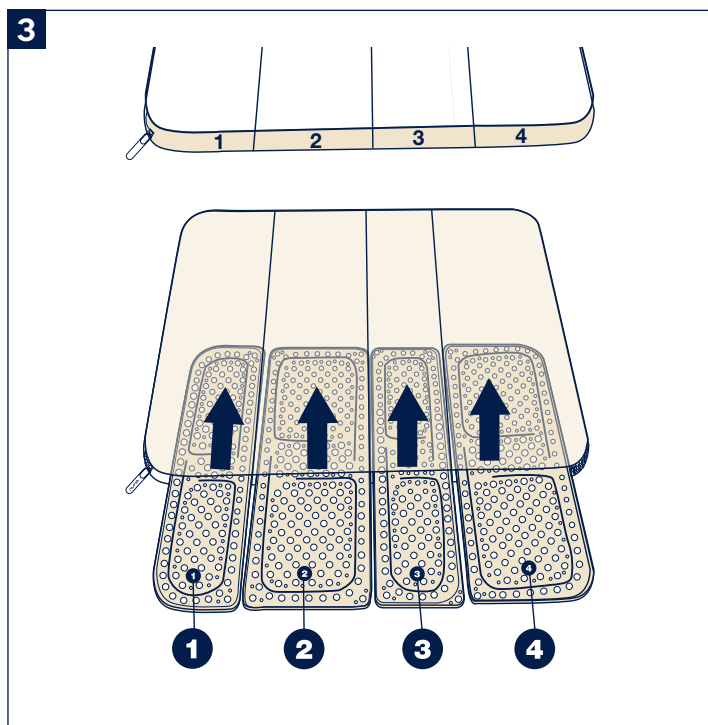
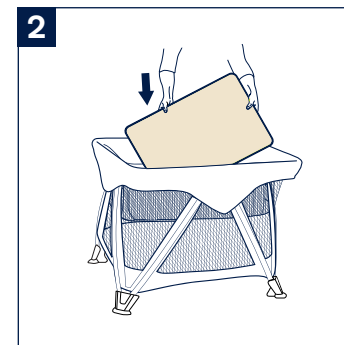
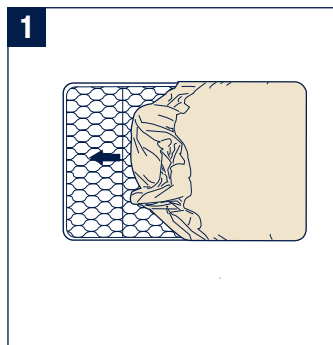
Thoroughly dry before using or storing. Avoid exposure to heat and sunlight.

To wash your mattress, you will need to remove your boards by unfastening the zipper and pulling the boards out.

ALWAYS fasten the zipper on the mattress before washing. Refer to the care label attached to the fabric for washing and drying instructions.

- 3 - To re-install boards, match the number on the black tag on the mattress with the label on the board. Boards should be installed with the numbers facing up exactly as shown in the illustrations. Once boards are installed in their correct slots, refasten the zipper.

⚠️ **NEVER** use the mattress without the boards installed.



Changer

Refer to the care label attached to the soft goods for washing and drying instructions.

Clean the frame with a damp cloth and a mild detergent and dry thoroughly. Do not use abrasives.

It is normal for fabric to color from sunlight and to show wear and tear after a long period of use, even when used normally.

For reasons of safety, only use original Nuna parts.

Check regularly if everything functions properly. If any parts are torn, broken, or missing, stop using this product.

Changer Soft Goods Removal

1 - Unzip the three zippers on the underside of the changer.

2 - Open the soft goods.

3 - Remove the frame from the soft goods.

4 - Remove the support board.

To reassemble the soft goods, reverse the steps above.

