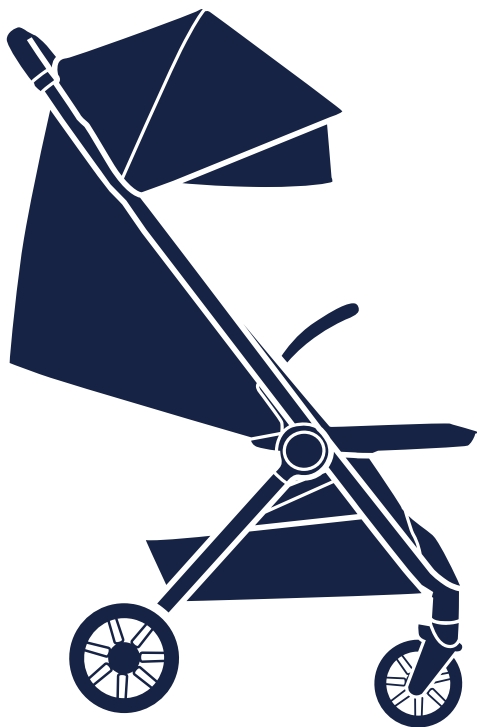


trvl™



nuna®





Thank you!

You've just purchased a Nuna product, and you can be sure that your child is getting the best there is. Our products are expertly engineered for safety, with luxury fabrics and sophisticated style. Whatever made you fall in love with Nuna, rest assured your adventures with your little one will be easier from now on, freeing you to enjoy more happy family moments together.



IMPORTANT!
KEEP THESE
INSTRUCTIONS FOR
FUTURE REFERENCE:
READ CAREFULLY

Contents

Product Information

Product Registration	4
Warranty	4
Contact	4

Child Usage Requirements	5
---------------------------------	---

Warnings	6
-----------------	---

Parts List	8
-------------------	---

Product Setup	10
----------------------	----

Product Use	16
--------------------	----

Accessories	26
--------------------	----

Cleaning and Maintenance	28
---------------------------------	----

Product Information

Model Number: _____

Manufactured in (date): _____

Product Registration

Please fill in the above information. The model number and the manufactured in date are located on a label on the stroller frame. Fill out the prepaid registration postcard attached to the product and mail it today.

To register your product, please visit:

www.nunababy.com

Click on the “Register Gear” link on the homepage.

Warranty

We have purposely designed our high-quality products so that they can grow with both your child and your family. Because we stand by our product, our gear is covered by a custom warranty per product, starting from the day it was purchased. Please have the proof of purchase, model number and manufactured in date available when you contact us.

For warranty information please visit:

www.nunababy.com/warranty

Contact

For replacement parts, service, or additional warranty questions, please contact our customer service department.

In the USA:

infousa@nunababy.com

www.nunababy.com

1.855.NUNA.USA

Child Usage Requirements

This stroller is suitable for use with children who meet the following requirements:

Weight: up to 50 lb maximum (22.7 kg)

Height: up to 45 inches (114.3 cm)

When using the stroller frame with a PIPA™ series infant carrier, refer to the child usage requirements listed in the infant carrier instruction manual.

▲WARNING

Failure to follow these warnings and instructions could result in serious injury or death.

A child's safety is your responsibility. **NEVER** leave your child unattended.

To avoid any danger of suffocation, remove all plastic covers before using the stroller and destroy or keep away from babies and children!

Keep small parts away from children as they pose a choking hazard.

Discontinue using stroller if it becomes damaged or broken.

DO NOT make any changes or modifications to the stroller that are not specified in this manual.

Use original Nuna parts and accessories only. Overloading, incorrect folding, and using accessories other than those approved by Nuna, e.g. child seats, bag hooks, rain covers, buggy boards, etc., may damage or make the stroller unsafe.

Use of the stroller with a child weighing more than 50 lb (22.7 kg) or taller than 45 inches (114.3 cm) in height will cause excessive wear and stress on the stroller, and could create an unstable condition. Use the stroller with only one child at a time.

To prevent a hazardous, unstable condition, do not place more than 10 lb (4.5 kg) in storage basket and never place purses, shopping bags, parcels or other items on the handle or canopy.

DO NOT use storage basket as a child carrier.

Avoid serious injury from falling or sliding out. **ALWAYS** use seat belt. After fastening buckles, adjust belts to get a snug fit around your child.

AVOID FINGER ENTRAPMENT Use care when folding and unfolding the stroller. Be certain the stroller is fully erected and locked before allowing your child near the stroller.

STRANGULATION HAZARD Do not place items with a string around your child's neck, suspend strings from the stroller, or attach strings to toys.

DO NOT let your child play with the stroller.

ALWAYS keep your child in view while in the stroller.

NEVER allow your child to stand on the stroller.

The parking brake **MUST** be engaged when the stroller is stopped and when placing and removing child.

Negotiate curbs and rough ground carefully. Repeated impact could cause damage to the stroller.

The stroller is to be used only at walking speed and is not intended for use while jogging, skating, etc.

NEVER use the stroller on stairs or escalators. You may suddenly lose control of the stroller or your child may fall out.

The stroller does not replace a crib or a bed. Should your child need to sleep, they should be placed in a crib or sleeping area based on your child's requirements.

ALWAYS allow the fabric to dry naturally away from direct heat.

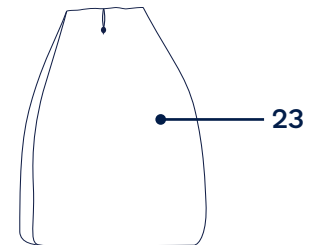
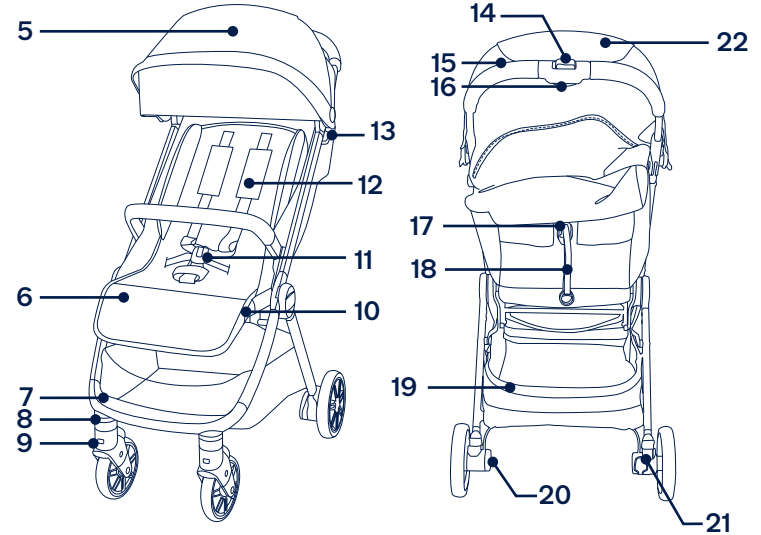
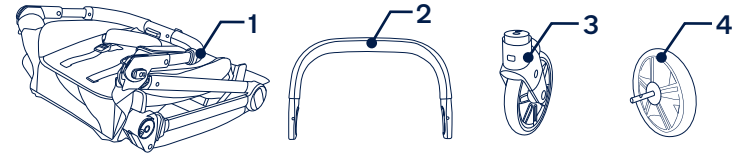
DO NOT leave the stroller exposed in the vicinity of a strong source of heat, i.e. a radiator or open fire, or store the stroller in a damp place.

Magnetic Harness Buckle: The buckle and buckle clips contain magnets. If your child has a medical condition that prohibits the use of magnets near the child, do not use the stroller. Call Nuna to arrange an alternative product or different restraint solution. Be mindful of the possible interaction of magnets in buckles and certain electronic devices.

Parts List

Make sure all parts are available before assembly.
If any part is missing, please contact Nuna (see page 4 for information). No tools are required for assembly.

- | | |
|-----------------------------------|------------------------------|
| 1 Stroller Frame | 13 Infant Carrier Lock |
| 2 Armbar | 14 Secondary Lock |
| 3 Front Wheel (x2) | 15 Handle |
| 4 Rear Wheel (x2) | 16 One-Hand-Fold Button |
| 5 Canopy | 17 Recline Adjustment Handle |
| 6 Calf Support | 18 Recline Adjustment Straps |
| 7 Footrest | 19 Storage Basket |
| 8 Front Swivel Lock | 20 Rear Wheel Release Button |
| 9 Front Wheel Release Button | 21 Rear Brake Lever |
| 10 Calf Support Adjustment Button | 22 Canopy Window |
| 11 Buckle | 23 Carry Bag |
| 12 Shoulder Harness Pad | |



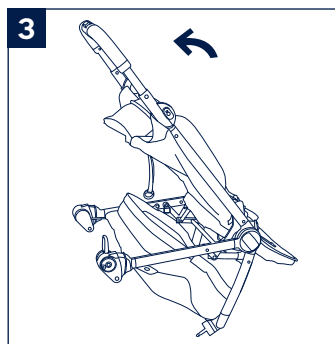
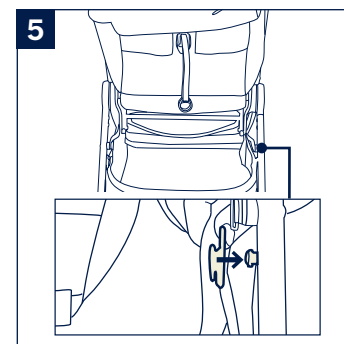
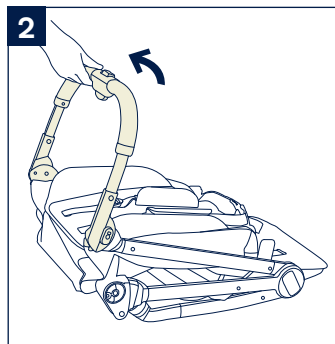
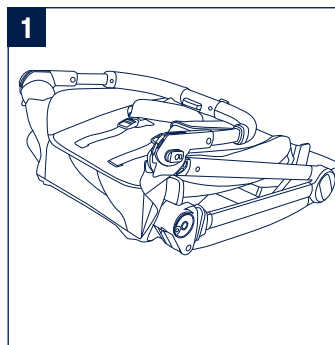
Product Setup

Open Stroller

- 1 - Take the stroller frame out.
 - 2 - Rotate the stroller handle up.
 - 3 - Open the stroller frame.
 - 4 - A “click” sound means the stroller frame is open completely.
- ⚠ Check that the stroller is completely latched open before continuing.

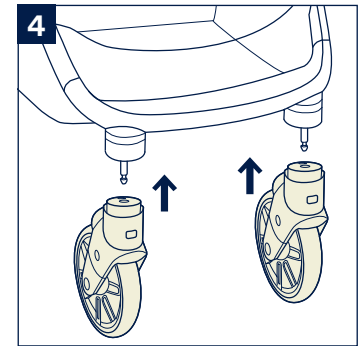
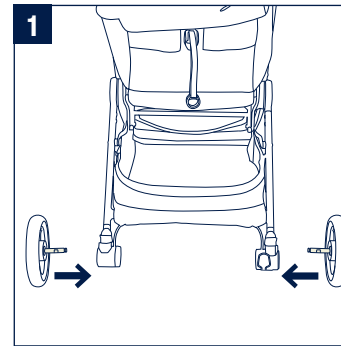
Storage Basket

- 5 - Hook the storage basket on the rear legs on both sides.



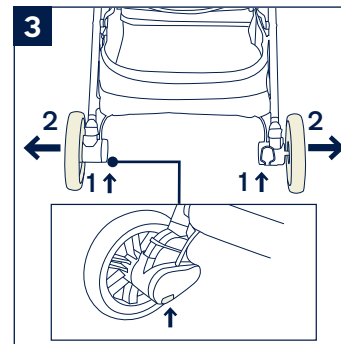
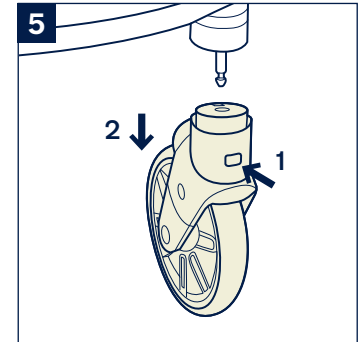
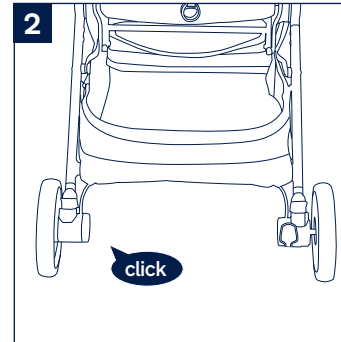
Rear Wheels

- 1 - Insert the rear wheels into the rear legs.
 - 2 - A “click” sound means the rear wheel is assembled completely.
- ⚠ Check that the wheels are securely attached by pulling on them.
- 3 - To remove the rear wheel, press the release button (1) and detach the rear wheel from the rear leg (2).



Front Wheels

- 4 - Insert the front wheels into the front legs. A “click” sound means the wheel is assembled completely.
- ⚠ Check that the wheels are securely attached by pulling out.
- 5 - To remove the front wheel, slide the release button out (1) and then detach the front wheel from the front leg (2).



Canopy

- 1 - Slide the canopy mounts onto the stroller.
- 2 - A “click” sound means the canopy is assembled completely.

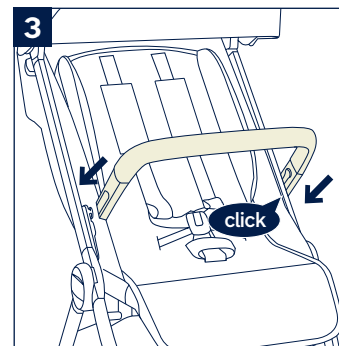
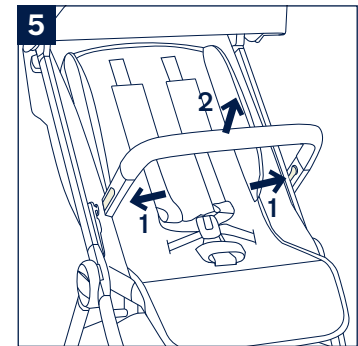
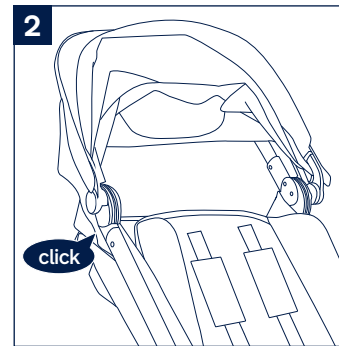
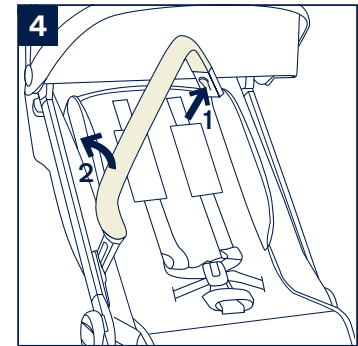
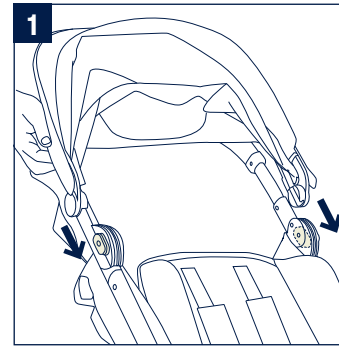
Armbar

⚠ It is always recommended that the armbar be used, but it is not a restraint device. Always secure the child with the harness.

- 3 - Align the armbar ends with the armbar mounts, and insert until it clicks into place. A “click” sound means the armbar is assembled completely.
- 4 - To rotate the armbar, press the armbar release button on one side (1) and rotate the armbar from the other side (2).
- 5 - To remove the armbar, press the armbar release buttons (1) and pull the armbar out (2).

Check Setup

- Stroller frame is latched open
- Rear and front wheels are securely attached
- Armbar is securely attached



Product Use

Securing Your Child

⚠ The parking brake **MUST** be engaged when the stroller is stopped and when placing and removing child.

⚠ To avoid serious injury from falling or sliding out, always secure your child with the harness. Make sure the harness is adjusted properly and your child is snugly secured. The space between the child and the shoulder harness should be about the thickness of one finger. **DO NOT** cross the shoulder belts. This will cause pressure on your child's neck.

1 - Push the top button on the buckle (1) to release the buckle latch and remove the magnetic clips (2).

Place your child in the stroller.

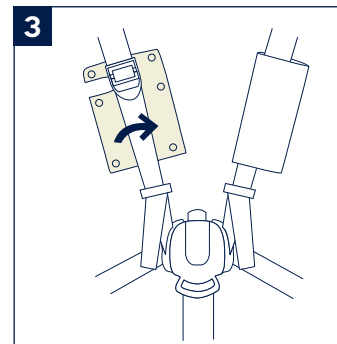
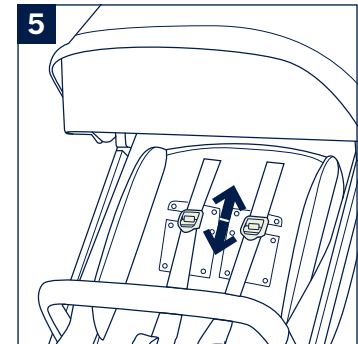
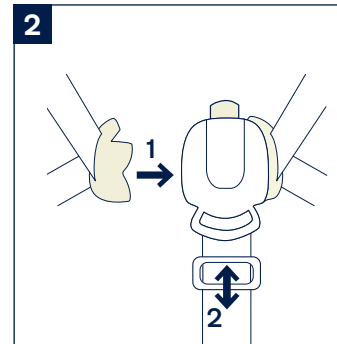
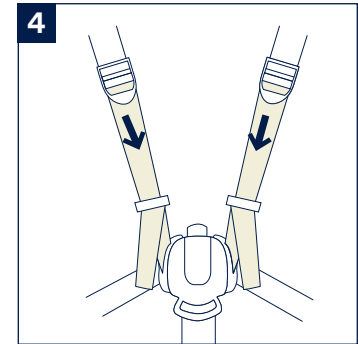
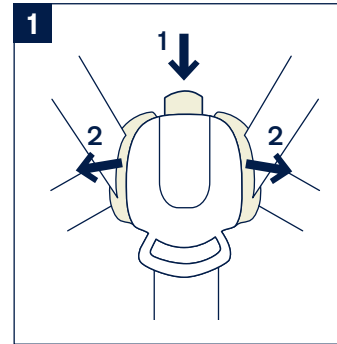
2 - Insert the waist clips into the center buckle (1). Slide the crotch belt adjustment buckle to adjust as needed (2).

3 - Open the harness covers to adjust the harness.

4 - Fit the harness snugly to your child by sliding the adjustment straps to tighten.

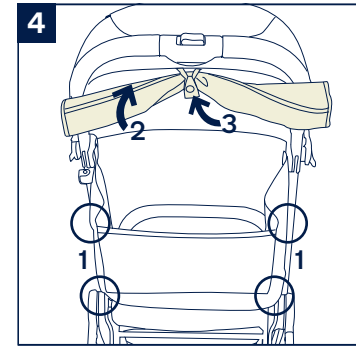
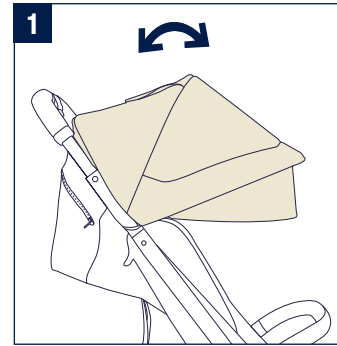
Shoulder Harness Position

5 - The upper shoulder harness buckles can be moved up and down for added adjustment.



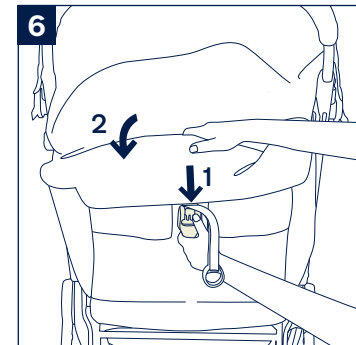
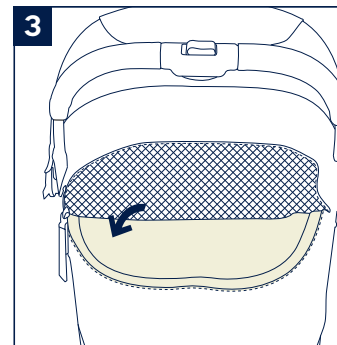
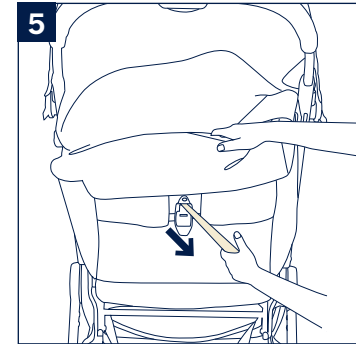
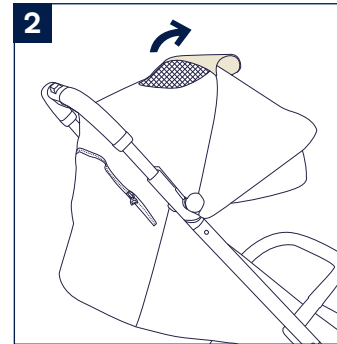
Canopy

- 1 - To open the canopy, pull the canopy toward the front of the seat, and to close the canopy, push it back.
- 2 - For added ventilation, flip the canopy window cover up.
- 3 - Unzip the canopy rear panel to open.
- 4 - To open the back of the canopy completely, undo the four snaps (1), roll up the fabric (2), thread the strap through the loop at the top of the canopy and fasten the snap to secure (3).



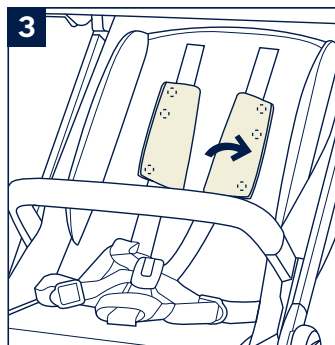
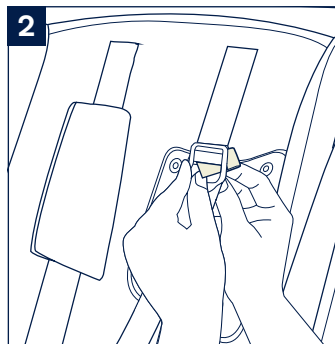
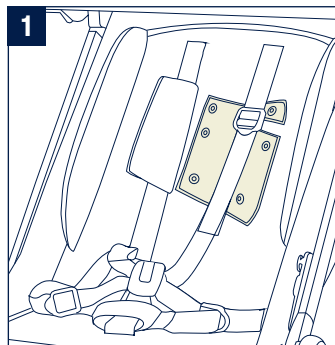
Recline

- 5 - To raise the recline, pull the recline adjustment straps and push the seat up.
- 6 - To recline the backrest, squeeze the recline adjustment handle and pull the backrest down.



Shoulder Harness Pads

- 1 - To put on the harness pads, slide the pad under the shoulder harness strap, keeping the opening in the pad around the shoulder harness buckle.
- 2 - Slide the tab on the harness pad through the shoulder harness buckle.
- 3 - Fold the harness pad and fasten the snaps.



Calf Support

The calf support has 2 positions.

- 1 - To raise the calf support, lift up. To lower the calf support, press the adjustment buttons on the underside of the calf support (1) and push down (2).

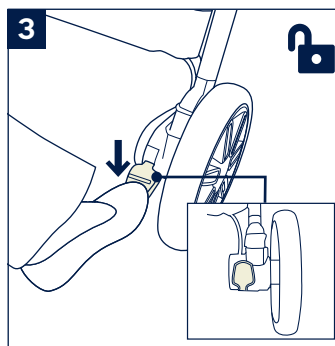
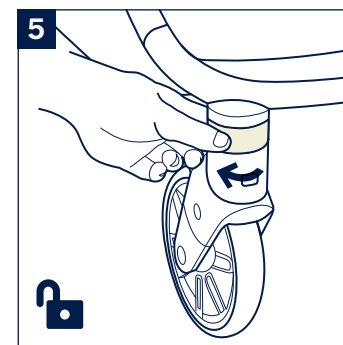
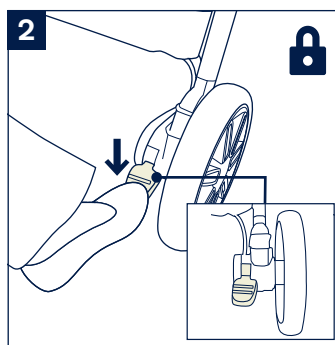
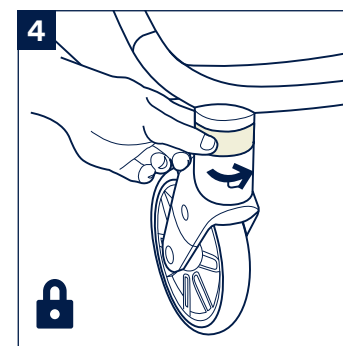
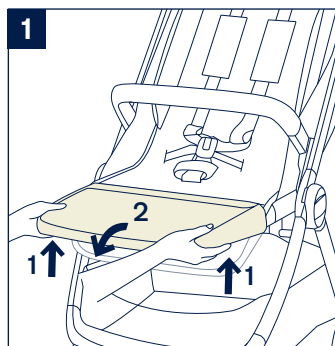
Brake

- 2 - To lock the rear wheels, step down on the brake lever.
 - 3 - To unlock the rear wheels, step down on the brake lever again.
- ⚠** Always apply the brake when the stroller is stopped. Push the stroller slightly to ensure the brake is engaged.

Front Swivel Locks

It is recommended to use the front swivel locks on uneven surfaces.

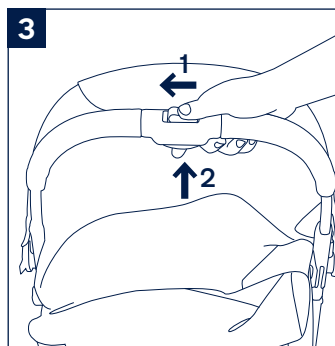
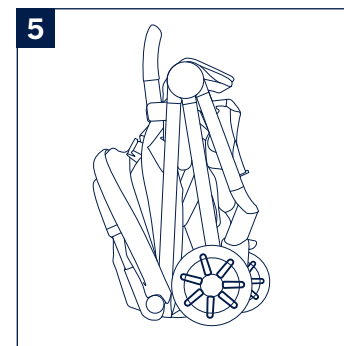
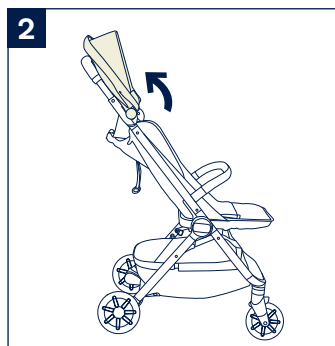
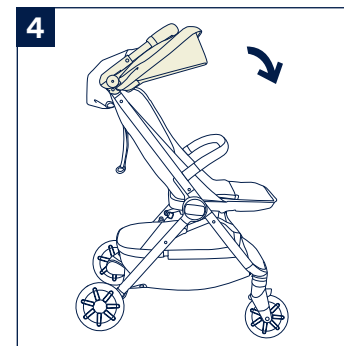
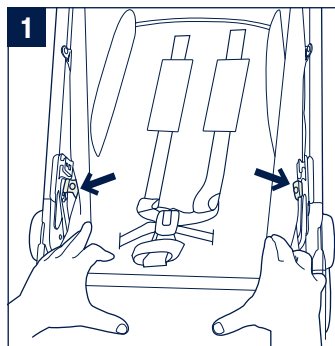
- 4 - Turn the front swivel lock to lock the front wheel.
- 5 - Turn the front swivel lock back to unlock it.



Fold

⚠ Ensure that the front swivel locks are unlocked before folding the stroller.

- 1 - Ensure that the snap on each side is fastened correctly before folding the stroller.
- 2 - Fold the canopy.
- 3 - Slide the lock against the handle (1) and then squeeze the folding button (2).
- 4 - Fold the top of the stroller down.
- 5 - The frame can fold and stand on its own.



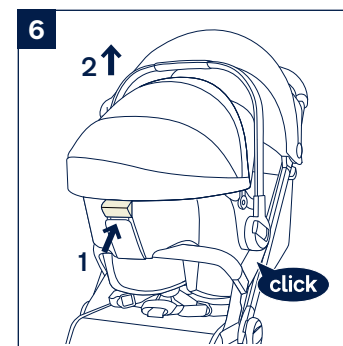
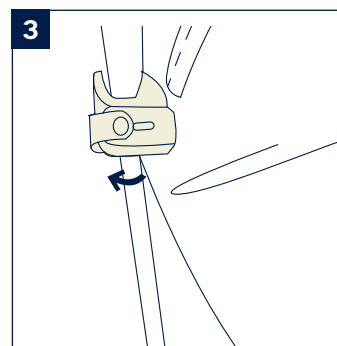
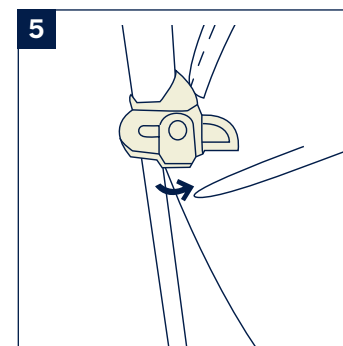
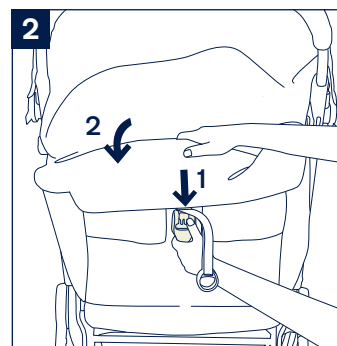
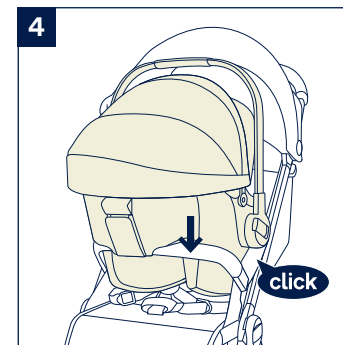
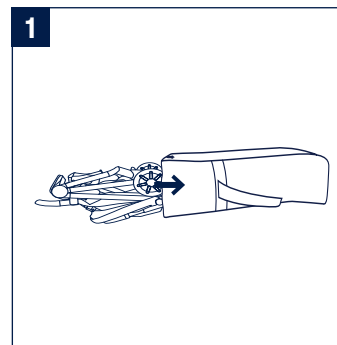
Accessories

Carry Bag

- 1 - Put the folded stroller into the carry bag and close the bag using the drawstring.

PIPA™ Series Infant Carrier

- 2 - Recline the stroller seat to the lowest position (p.18).
Push the canopy to the rear of the stroller and attach the arm bar (p.14).
- 3 - Release the infant carrier lock.
- 4 - Place the infant carrier on the stroller so it sits over the arm bar.
- 5 - Close the infant carrier lock to secure the infant carrier on the stroller.
⚠ Pull up on the infant carrier to check that it is fully locked to the stroller.
⚠ Remove the infant carrier before folding the stroller.
- 6 - To remove the infant carrier, release the infant carrier lock, squeeze the release handle (1), and lift the infant carrier up (2).



Cleaning and Maintenance

Clean the frame, plastic parts, and fabric with a damp cloth, but do not use abrasives or bleach. Do not use silicon lubricants as they will attract dirt and grime. Do not store your stroller in a damp place.

Clean the stroller wheels regularly with water and remove any dirt.

To ensure long-lasting use, wipe off this product with a soft, absorbent cloth after using it in rainy weather.

Refer to the care label attached to the fabric for washing and drying instructions.

It is normal for fabric to color from sunlight and to show wear and tear after a long period of use, even when used normally.

For reasons of safety, only use original Nuna parts.

Check regularly if everything functions properly. If any parts are torn, broken, or missing, stop using this product.