

*Designed*  
**around your life**

**nuna®**

**IMPORTANT!**  
**KEEP THESE**  
**INSTRUCTIONS FOR**  
**FUTURE REFERENCE:**  
*READ CAREFULLY*

## Contents

|                                 |    |
|---------------------------------|----|
| <b>Product Information</b>      | 4  |
| Warranty                        |    |
| Contact                         |    |
| <b>Child Usage Requirements</b> | 5  |
| <b>Warnings</b>                 | 6  |
| <b>Parts List</b>               | 10 |
| <b>Product Setup</b>            | 12 |
| <b>Product Use</b>              | 18 |
| <b>Accessories</b>              | 30 |
| <b>Cleaning and Maintenance</b> | 34 |

## Product Information

Model Number: \_\_\_\_\_

Manufactured Date: \_\_\_\_\_

The model number and the manufactured in date are located on a label on the stroller frame.

### Warranty

Our goods come with guarantees that cannot be excluded under the Australian Consumer Law. You are entitled to a replacement or refund for a major failure and compensation for any other reasonably foreseeable loss or damage. You are also entitled to have the goods repaired or replaced if the goods fail to be of acceptable quality and the failure does not amount to a major failure.

We have purposely designed our high-quality products so that they can grow with both your child and your family. Because we stand by our product, our gear is covered by a custom warranty per product, starting from the day it was purchased. Please have the proof of purchase, model number and manufactured in date available when you contact us.

**For warranty information please visit:**  
[www.nunababy.com](http://www.nunababy.com)

### Contact

For replacement parts, service, or additional warranty questions, please contact our customer service department.

**Distributed by Nuna Baby Australia Pty Ltd**

ACN: 642 240 140

Unit 1, 35 Lyn Parade Prestons, NSW Australia 2170

**For after-sales & warranty service, contact:**

1800 951 070

[customerservice@nunababy.com.au](mailto:customerservice@nunababy.com.au)

## Child Usage Requirements

This stroller is suitable for use with children who meet the following requirements:

**Weight:** up to 22.7 kg maximum

When using the stroller frame with a KLIK plus infant carrier, refer to the child usage requirements listed in the infant carrier instruction manual.

**Weight:** up to 13 kg maximum

## **WARNING**

FOLLOW THE MANUFACTURER'S INSTRUCTIONS. PUT ON ALL THE BRAKES WHENEVER YOU PARK THE STROLLER.

DO NOT LEAVE CHILDREN UNATTENDED. ALWAYS KEEP CHILD IN VIEW WHILE IN STROLLER.

SECURE THE CHILD IN THE HARNESS AT ALL TIMES.

USE THIS HARNESS AT ALL TIMES.

ALWAYS USE THE CROTCH COMBINATION WITH THE WAIST BELT. IT IS SUGGESTED THAT THE SHOULDER HARNESSES BE USED AS WELL.

DO NOT CARRY EXTRA CHILDREN OR BAGS ON THIS STROLLER.

**MAKE SURE CHILDREN ARE CLEAR OF ANY MOVING PARTS IF YOU ADJUST THE STROLLER. OTHERWISE THEY MAY BE INJURED.**

TO AVOID SERIOUS INJURY FROM FALLING OR SLIDING OUT, ALWAYS USE SEAT BELT.

USE THIS TETHER STRAP TO STOP THE STROLLER ROLLING AWAY.

Ensure that all the locking devices are engaged before use.

Do not let your child play with this product.

Never leave the harness buckled when not fitted to a child in the stroller because the harness can form loops which may pose a strangulation hazard.

The use of accessories not approved by the vehicle manufacturer is unsafe.

Adult assembly required.

Use of this stroller with a child weighing more than 22.7 kg will cause excessive wear, and stress on the stroller, and could create an unstable condition. Use the stroller with only one child at a time.

To prevent a hazardous, unstable condition, do not place more than 4.5 kg in the storage basket before use.

Overloading, folding incorrectly, or using component parts from other manufacturers may cause the stroller to be damaged, broken or unsafe. Please read the instruction manual carefully.

Please read all the instructions in the manual before using the product. Please save instruction manual for future use. Failure to follow these warnings and instructions may result in serious injury or death.

Safety belts and restraint system must be used correctly.

Child may slip into leg openings and be strangled if the harness is not used.

Never use stroller on stairs or escalators.

The stroller is not to be used near an open fire or exposed flame.

Never allow your child to stand on the stroller or sit in the stroller with head toward front of stroller.

Never place the stroller on roads or dangerous area.

The vehicle is designed for use on flat or gently sloping surfaces and may be unstable on higher sloping and uneven surfaces, resulting in the possibility of the vehicle tipping over.

Do make sure all parts are assembled and fastened properly before using the stroller.

To avoid strangulation, do not place items with a string around your child's neck, suspend strings from this product, or attach strings to toys.

To prevent tipping, do not put anything on the handle. Always lift the child in and out of the stroller.

Do not lift stroller while child is in stroller.

Do not use storage basket as a child carrier.

To prevent tipping, never let child climb the stroller.

To avoid finger entrapment or injury to the body, use care when folding and unfolding the stroller.

Be sure the stroller is fully open or folded before allowing child near the stroller.

Check that the infant child restraint attachment device is correctly engaged before use.

To avoid strangulation, do make sure your child is clear from the canopy.

Discontinue using your stroller if it is damaged or broken.

Stroller to be used only at walking speed. This product is not intended for use while jogging.

To avoid suffocation, remove plastic bag and packaging materials before using this product. The plastic bag and packaging materials should then be kept away from babies and children.

This product is not suitable for running or skating.

Stroller designed to be used from birth shall recommend the use of the most reclined position for new born babies.

The parking device must be engaged when placing and removing children.

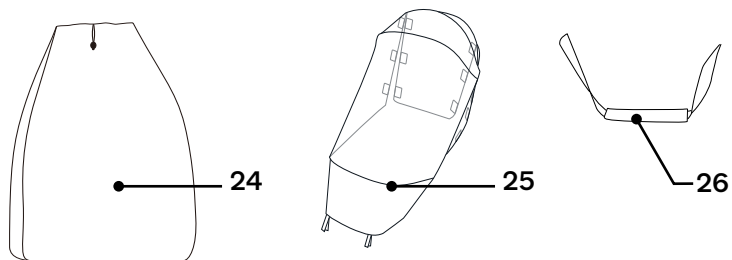
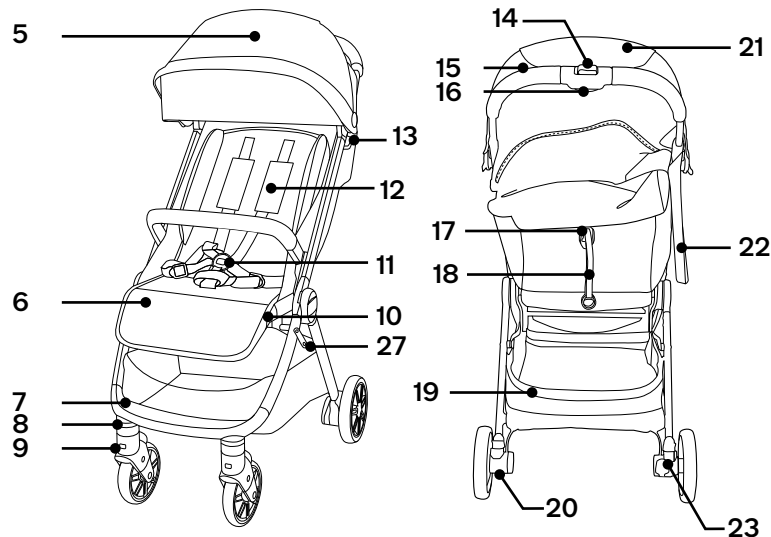
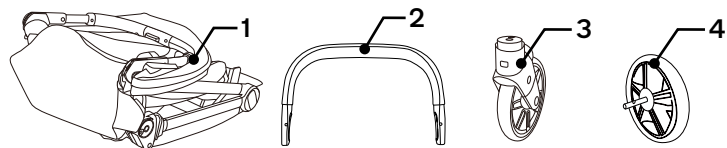
Please ensure that the storage latch has been properly locked, before lifting or moving the vehicle.

The vehicle is not to be used as an unsupervised sleeping environment.

# Parts List

Make sure all parts are available before assembly.  
If any part is missing, please contact Nuna. No tools are required for assembly.

- |                                   |                              |
|-----------------------------------|------------------------------|
| 1 Stroller Frame                  | 15 Handle                    |
| 2 Armbar                          | 16 One-Hand-Fold Button      |
| 3 Front Wheel (x2)                | 17 Recline Adjustment Handle |
| 4 Rear Wheel (x2)                 | 18 Recline Adjustment Straps |
| 5 Canopy                          | 19 Storage Basket            |
| 6 Calf Support                    | 20 Rear Wheel Release Button |
| 7 Footrest                        | 21 Canopy Window             |
| 8 Front Swivel Lock               | 22 Tether Strap              |
| 9 Front Wheel Release Button      | 23 Rear Brake Lever          |
| 10 Calf Support Adjustment Button | 24 Carry Bag                 |
| 11 Buckle                         | 25 Rain Cover                |
| 12 Shoulder Harness Pad           | 26 Carrying Strap            |
| 13 Infant Carrier Lock            | 27 Storage Latch             |
| 14 Secondary Lock                 |                              |



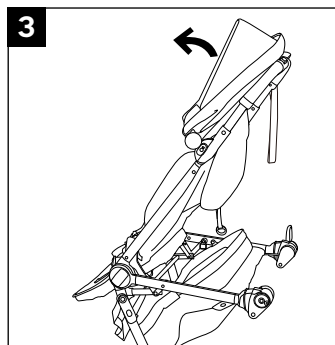
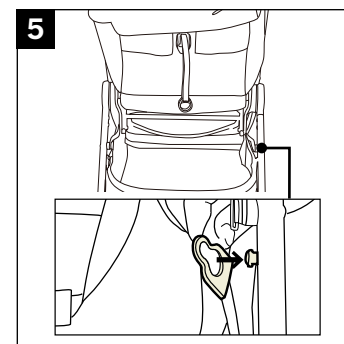
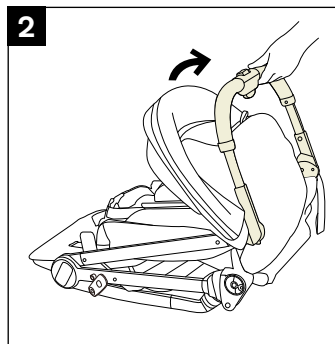
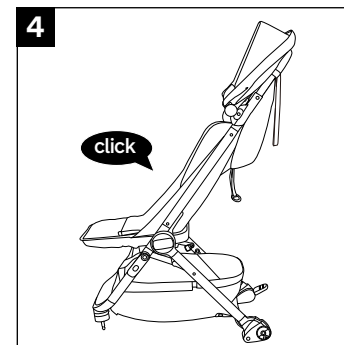
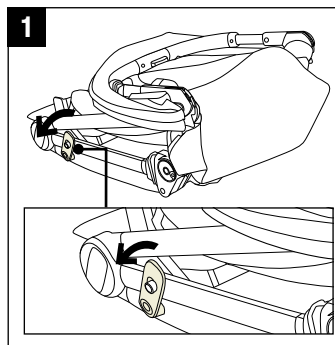
# Product Setup

## Open Stroller

- 1 - Take the stroller frame out. And then open the storage latch.
- 2 - Rotate the stroller handle up.
- 3 - Open the stroller frame.
- 4 - A “click” sound means the stroller frame is open completely.  
  
! Check that the stroller is completely latched open before continuing.

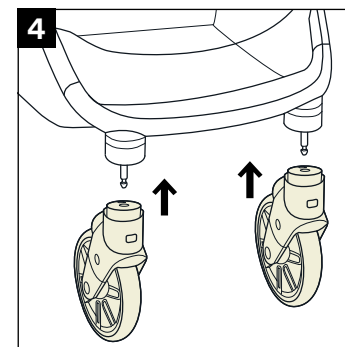
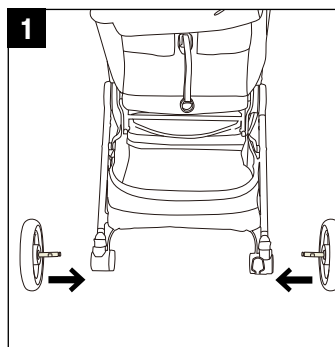
## Storage Basket

- 5 - Hook the storage basket on the rear legs on both sides.



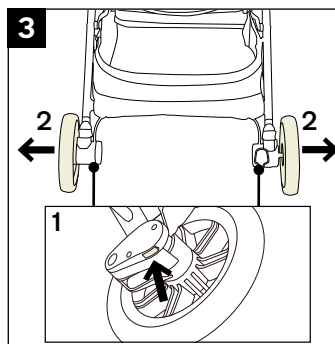
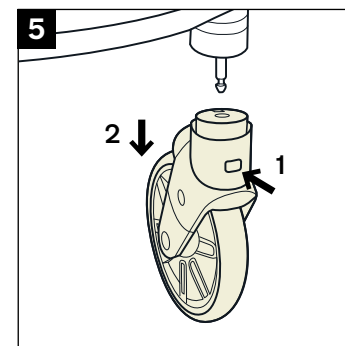
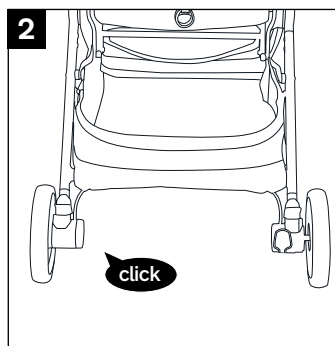
## Rear Wheels

- 1 - Insert the rear wheels into the rear legs.
- 2 - A “click” sound means the rear wheel is assembled completely.
  - ! Check that the wheels are securely attached by pulling on them.
- 3 - To remove the rear wheel, press the release button (1) and detach the rear wheel from the rear leg (2).



## Front Wheels

- 4 - Insert the front wheels into the front legs. A “click” sound means the wheel is assembled completely.
  - ! Check that the wheels are securely attached by pulling out.
- 5 - To remove the front wheel, press the release button (1) and then detach the front wheel from the front leg (2).





## Canopy

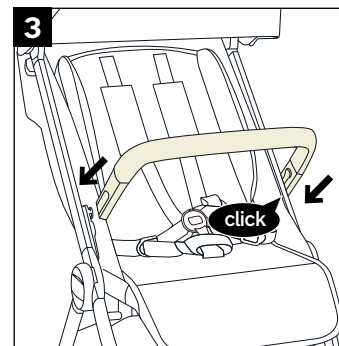
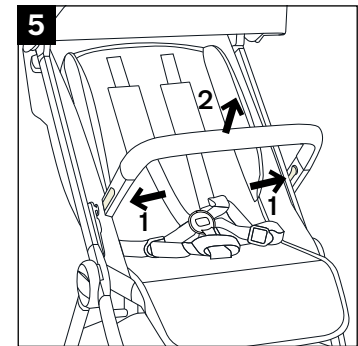
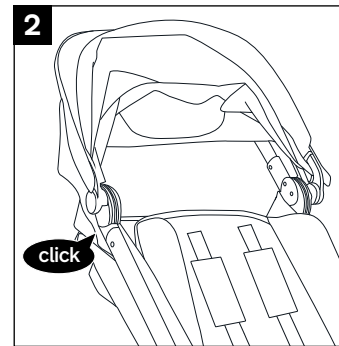
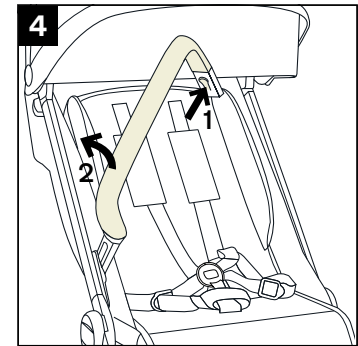
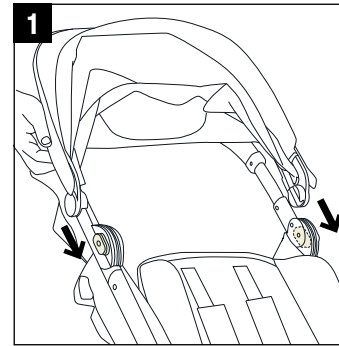
- 1 - Slide the canopy mounts onto the stroller.
- 2 - A “click” sound means the canopy is assembled completely.

## Armbar

- ! It is always recommended that the armbar be used, but it is not a restraint device. Always secure the child with the harness.
- 3 - Align the armbar ends with the armbar mounts, and insert until it clicks into place. A “click” sound means the armbar is assembled completely.
  - 4 - To rotate the armbar, press the armbar release button on one side (1) and rotate the armbar from the other side (2).
  - 5 - To remove the armbar, press the armbar release buttons (1) and pull the armbar out (2).

### Check Setup

- Stroller frame is latched open
- Rear and front wheels are securely attached
- Armbar is securely attached



# Product Use

## Securing Your Child

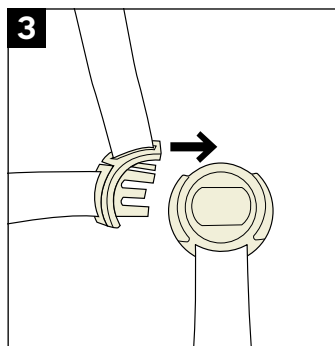
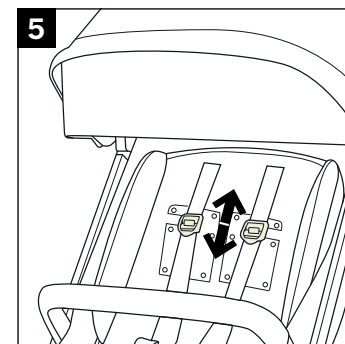
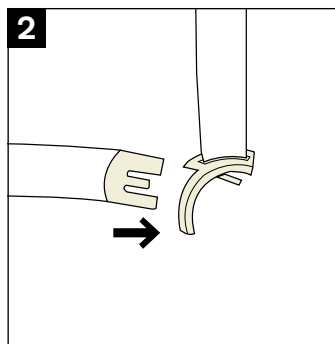
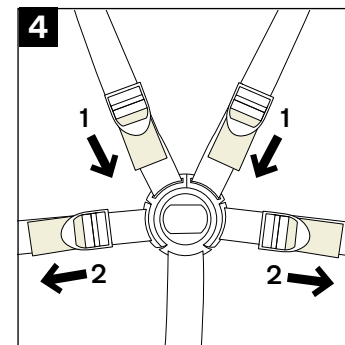
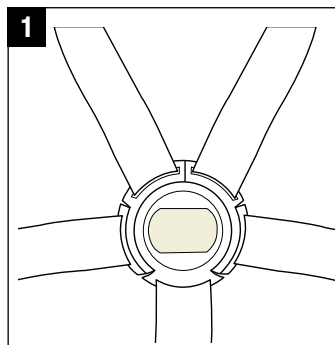
! The parking brake **MUST** be engaged when the stroller is stopped and when placing and removing child.

! To avoid serious injury from falling or sliding out, always secure your child with the harness. Make sure the harness is adjusted properly and your child is snugly secured. The space between the child and the shoulder harness should be about the thickness of one finger. **DO NOT** cross the shoulder belts. This will cause pressure on your child's neck.

- 1 - Push the center button on the buckle to release the buckle latch, remove the clips and place your child in the stroller. (1)
- 2 - Connect the shoulder buckle and hip buckle. (2)
- 3 - Secure the shoulder buckle and hip buckle to the buckle latch and repeat on the opposite side. (3)
- 4 - Fit the harness snugly to your child by pulling the adjustment straps to tighten (4)-1. Then pull the waist adjustment straps out (4)-2.

## Shoulder Harness Position

- 5 - The upper shoulder harness buckles can be moved up and down for added adjustment.



## Canopy

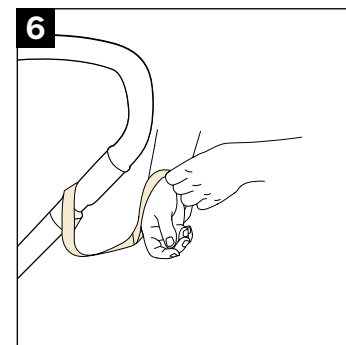
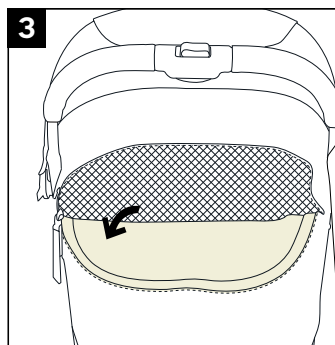
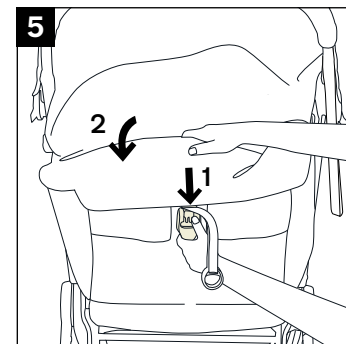
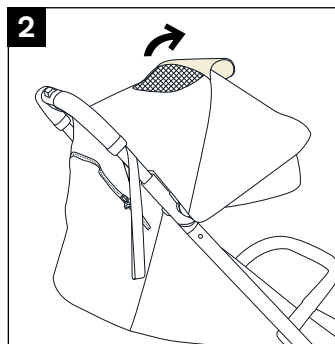
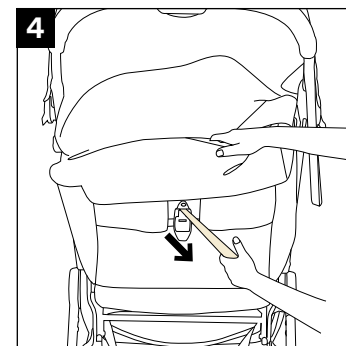
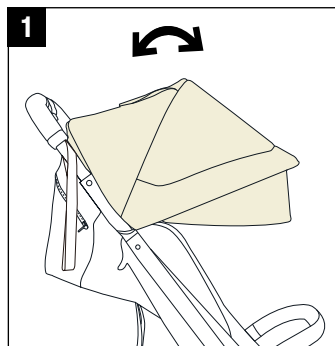
- 1 - To open the canopy, pull the canopy toward the front of the seat, and to close the canopy, push it back.
- 2 - For added ventilation, flip the canopy window cover up.
- 3 - Unzip the canopy rear panel to open.  
! Do not remove the canopy when stroller is in use.

## Recline

- 4 - To raise the recline, pull the recline adjustment straps and push the seat up.
- 5 - To recline the backrest, squeeze the recline adjustment handle (1) and pull the backrest down. (2)

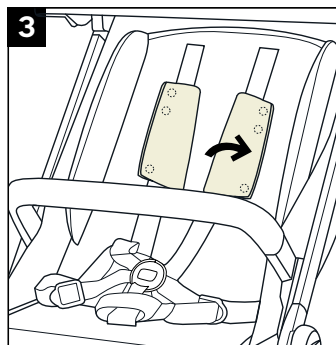
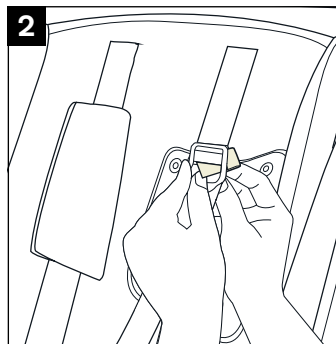
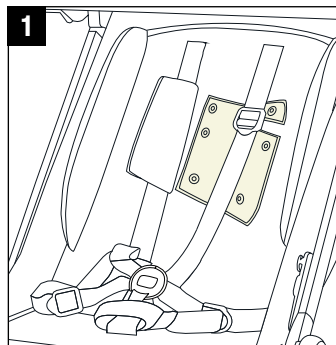
## Use Tether Strap

- 6 - Use the tether strap to prevent the stroller inadvertently rolling away. Check that when your hand is through the loop, it allows you to easily control the stroller.



## Shoulder Harness Pads

- 1 - To put on the harness pads, slide the pad under the shoulder harness strap, keeping the opening in the pad around the shoulder harness buckle.
- 2 - Slide the tab on the harness pad through the shoulder harness buckle.
- 3 - Fold the harness pad and fasten the snaps.



## Calf Support

The calf support has 2 positions.

- 1 - To raise the calf support, lift up. To lower the calf support, press the adjustment buttons on the underside of the calf support (1) and push down (2).

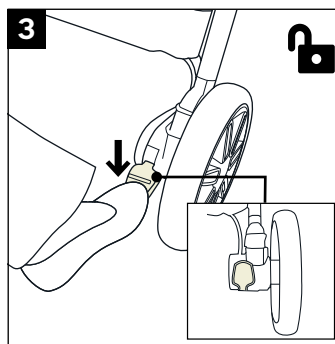
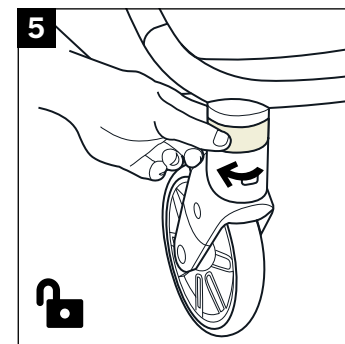
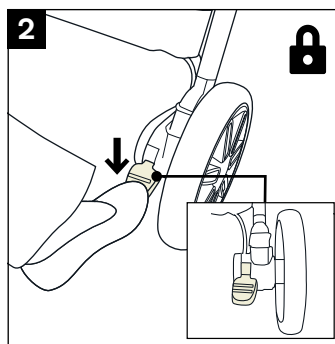
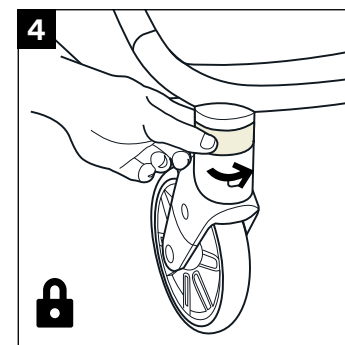
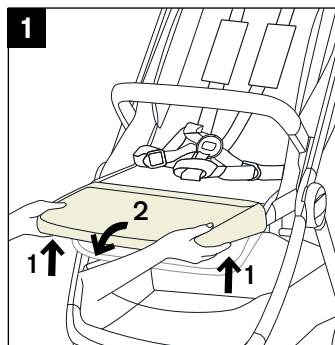
## Brake

- 2 - To lock the rear wheels, step down on the brake lever.
  - 3 - To unlock the rear wheels, step down on the brake lever again.
- ! Always apply the brake when the stroller is stopped. Push the stroller slightly to ensure the brake is engaged.

## Front Swivel Locks

It is recommended to use the front swivel locks on uneven surfaces.

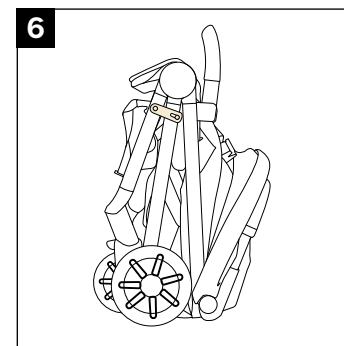
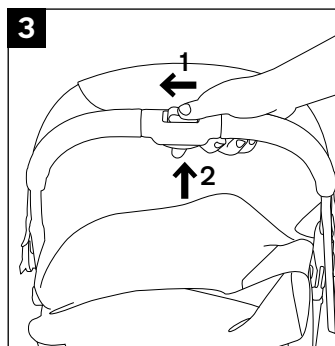
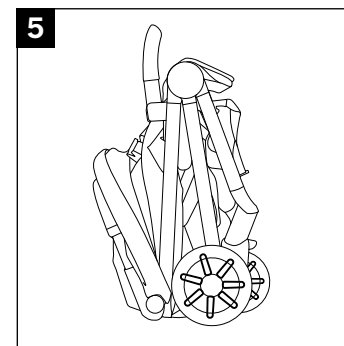
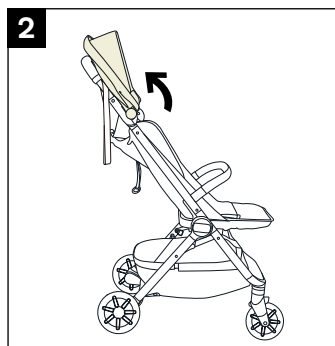
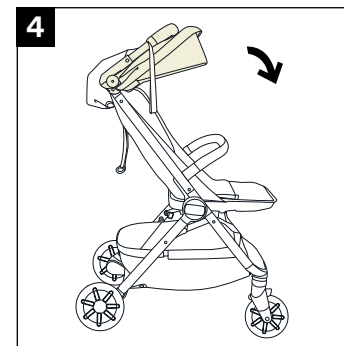
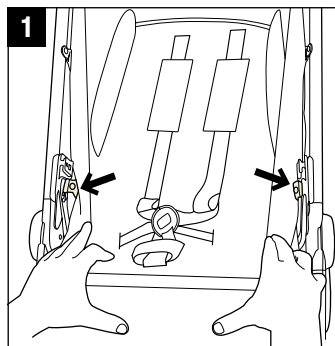
- 4 - Turn the front swivel lock to lock the front wheel.
- 5 - Turn the front swivel lock back to unlock it.



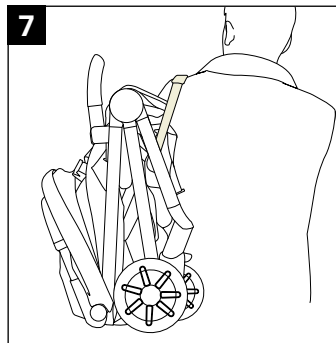
## Fold

! Ensure that the front swivel locks are unlocked before folding the stroller.

- 1 - Ensure that the snap on each side is fastened correctly before folding the stroller.
- 2 - Fold the canopy.
- 3 - Slide the lock against the handle (1) and then squeeze the folding button (2).
- 4 - Fold the top of the stroller down.
- 5 - The frame can fold and stand on its own.
- 6 - Rotate the storage latch.



**7** - You can carry the stroller with the strap.



# Accessories

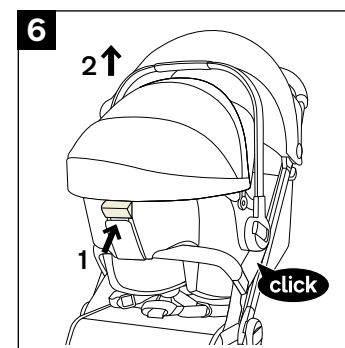
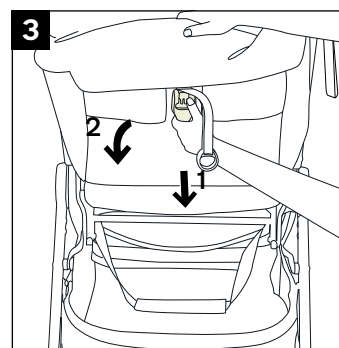
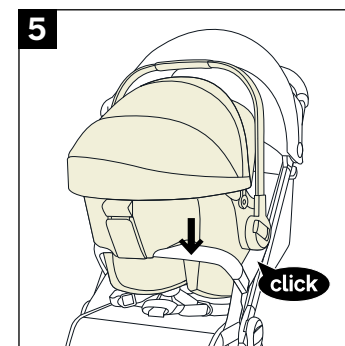
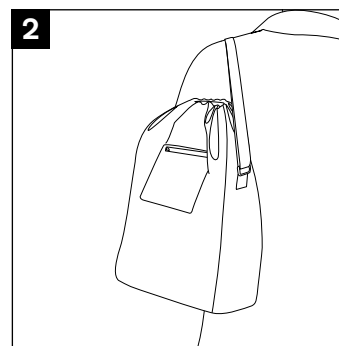
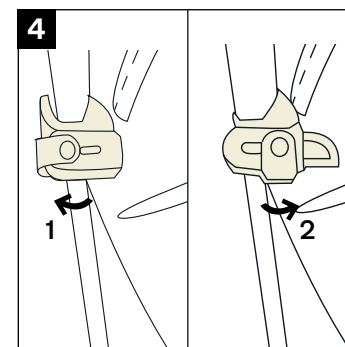
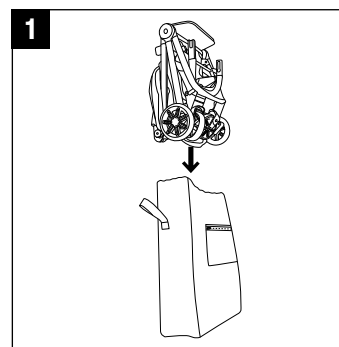
## Carry Bag

- 1 - Put the folded stroller into the carry bag and close the bag using the drawstring.
- 2 - Grab the carry bag, the stroller will follow you.
  - ! Please detach the armbar before put it into carry bag.

## KLIK plus infant carrier

For KLIK plus infant carrier assembly and usage, please refer to the infant carrier instruction manual.

- 3 - Recline the stroller seat to the lowest position (p.20).  
Push the canopy to the rear of the stroller and attach the arm bar (p.16).
- 4 - Release the infant carrier lock (1). Close the infant carrier lock to secure the infant carrier on the stroller (2).
  - ! Pull up on the infant carrier to check that it is fully locked to the stroller.
  - ! Remove the infant carrier before folding the stroller.
- 5 - Place the infant carrier on the stroller so it sits over the arm bar.
- 6 - To remove the infant carrier, release the infant carrier lock, squeeze the release handle (1), and lift the infant carrier up (2).





## TRVL Rain Cover

**1** - To assemble the stroller rain cover, place it over the stroller seat.

- ! Always check ventilation, especially in hot weather when the rain cover is on the product.
- ! Always check that the rain cover has been cleaned and dried before folding.
- ! **DO NOT** fold the stroller after assembling the rain cover.
- ! **DO NOT** place your child into the stroller assembled with rain cover during hot weather.



# Cleaning and Maintenance

Clean the frame, plastic parts, and fabric with a damp cloth, but do not use abrasives or bleach. Do not use silicon lubricants as they will attract dirt and grime. Do not store your stroller in a damp place.

Clean the stroller wheels regularly with water and remove any dirt.

To ensure long-lasting use, wipe off this product with a soft, absorbent cloth after using it in rainy weather.

Refer to the care label attached to the fabric for washing and drying instructions.

It is normal for fabric to color from sunlight and to show wear and tear after a long period of use, even when used normally.

For reasons of safety, only use original Nuna parts.

Check regularly if everything functions properly. If any parts are torn, broken, or missing, stop using this product.