

trvl™ rain cover



nuna®



Thank you!

You've just purchased a Nuna product, and you can be sure that your child is getting the best there is. Our products are expertly engineered for safety, with luxury fabrics and sophisticated style. Whatever made you fall in love with Nuna, rest assured your adventures with your little one will be easier from now on, freeing you to enjoy more happy family moments together.



IMPORTANT!
KEEP THESE
INSTRUCTIONS FOR
FUTURE REFERENCE:
READ CAREFULLY

Contents

Product Information	
Warranty	4
Contact	4
Usage Requirements	4
Warnings	5
Parts List	5
Product Use	6
Cleaning and Maintenance	8

Product Information

Please fill in the following information. The model number and manufactured in date are located on the serial label on the rain cover.

Model Number: _____

Manufactured in (date): _____

Warranty

We have purposely designed our high-quality products so that they can grow with both your child and your family. Because we stand by our product, our gear is covered by a custom warranty per product, starting from the day it was purchased. Please have the proof of purchase, model number and manufactured in date available when you contact us.

For warranty information please visit:
www.nunababy.com/warranty

Contact

For replacement parts, service, or additional warranty questions, please contact our customer service department.

In the USA:
infousa@nunababy.com
www.nunababy.com
1.855.NUNA.USA

Usage Requirements

This rain cover is suitable for use with the Nuna TRVL™ stroller.

⚠️ WARNING

Failure to follow these warnings and instructions could result in serious injury or death.

A child's safety is your responsibility. **NEVER** leave your child unattended.

Use only on the Nuna TRVL stroller. **DO NOT** attempt to use on any other stroller or product.

ALWAYS check ventilation when the rain cover is on the product.

DO NOT place your child in the stroller assembled with rain cover during hot weather.

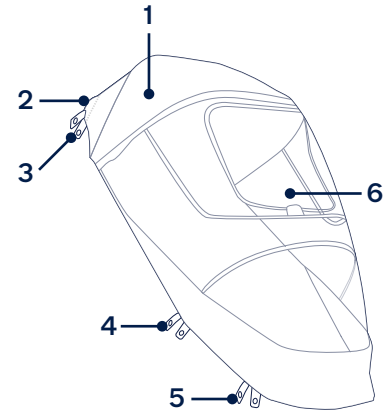
DO NOT fold the stroller with the rain cover in place.

Clean and dry the rain cover before storing.

Parts List

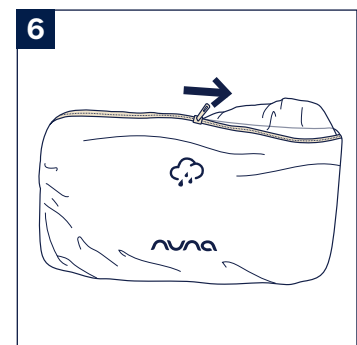
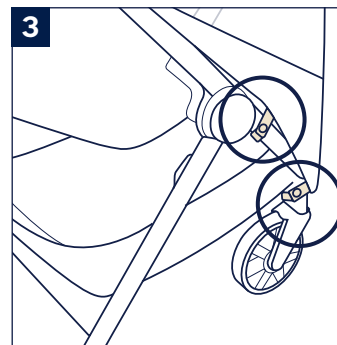
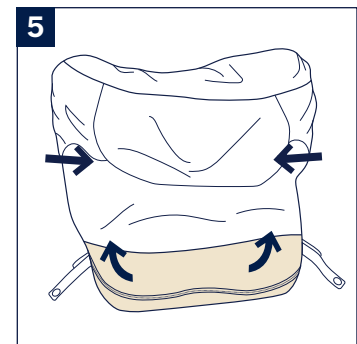
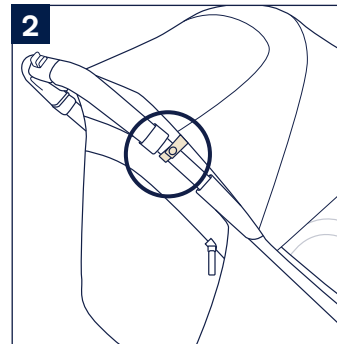
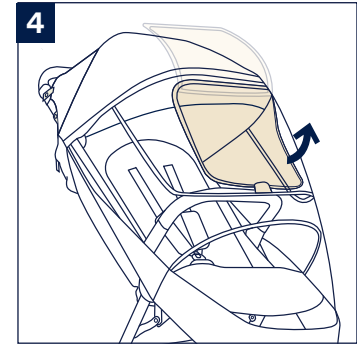
If any part is missing, please contact Nuna. No tools are required for assembly.

- 1 Rain Cover
- 2 Zippered Storage Pocket
- 3 Handle Straps
- 4 Frame Straps
- 5 Wheel Straps
- 6 Front Window



Product Use

- 1 - To assemble the rain cover, place it over the stroller. Keep the front window closed with the magnetic closure to keep out the rain.
- 2 - Fasten the handle straps around the stroller handle on both sides.
- 3 - Fasten the frame straps around the stroller frame on both sides.
Fasten the wheel straps around the front stroller wheel on both sides.
- 4 - Lift the front window to reach your child.
- 5 - To store, fold the rain cover and wrap the built-in zippered storage pocket around it. (The storage pocket is located in the canopy area of the rain cover; see Parts List, page 5.)
- 6 - Zip the storage pocket with the rain cover inside.



Nuna Baby Essentials, Inc. Nuna and all associated logos are trademarks.

Cleaning and Maintenance

Wipe clean with a damp cloth.

Check regularly if everything functions properly. If any parts are torn, broken, or missing, stop using this product.

Nuna Baby Essentials, Inc. Nuna and all associated logos are trademarks.