

IM-001125C

triv™ next



nuna®



Thank you!

You've just purchased a Nuna product, and you can be sure that your child is getting the best there is. Our products are expertly engineered for safety, with luxury fabrics and sophisticated style. Whatever made you fall in love with Nuna, rest assured your adventures with your little one will be easier from now on, freeing you to enjoy more happy family moments together.



**IMPORTANT!
KEEP THESE
INSTRUCTIONS FOR
FUTURE REFERENCE:
*READ CAREFULLY***

Contents

Product Information	4
Product Registration (USA consumers only)	
Limited Warranty	
Contact	
Child Usage Requirements	5
Warnings	6
Parts List	10
Product Setup	12
Product Use	16
Accessories	24
Cleaning and Maintenance	28
Français (FR)	32

Product Information

Model Number: _____

Manufactured in (date): _____

Product Registration (Applicable for US residents only)

Please fill in the above information. The model number and the manufactured in date are located on a label on the stroller frame. Fill out the prepaid registration postcard attached to the product and mail it today.

To register your product, please visit:

www.nunababy.com

Click on the “Register Gear” link on the homepage.

Limited Warranty

We have purposely designed our high-quality products so that they can grow with both your child and your family. Because we stand by our product, our gear is covered by a custom limited warranty per product, starting from the day it was purchased. Please have the proof of purchase, model number and manufactured in date available when you contact us.

For warranty information please visit:

www.nunababy.com/warranty

Contact

For replacement parts, service, or additional warranty questions, please contact our customer service department.

In the USA:

infousa@nunababy.com

www.nunababy.com

1.855.NUNA.USA

In Canada:

Nuna Canada

2520 AV Marie-Curie

St-Laurent, QC, H4S 1N1

1-800-667-4111

www.nunababy.ca

Child Usage Requirements

This stroller is suitable for use with children who meet the following requirements:

Weight: up to 50 lb maximum (22.7 kg)

Height: up to 45 inches (114.3 cm)

When using the stroller frame with a PIPA™ series infant carrier, refer to the child usage requirements listed in the infant carrier instruction manual.

▲WARNING

Failure to follow these warnings and instructions could result in serious injury or death.

A child's safety is your responsibility. **NEVER** leave your child unattended.

To avoid any danger of suffocation, remove all plastic covers before using the stroller and destroy or keep away from babies and children!

Keep small parts away from children as they pose a choking hazard.

Discontinue using the stroller if it becomes damaged or broken.

DO NOT make any changes or modifications to the stroller that are not specified in this manual.

Use original Nuna parts and accessories only.

Overloading, incorrect folding, and using accessories other than those approved by Nuna, e.g. child seats, bag hooks, rain covers, buggy boards, etc., may damage or make the stroller unsafe.

Use of the stroller with a child weighing more than 50 lb (22.7 kg) or taller than 45 inches (114.3 cm) in height will cause excessive wear and stress on the stroller, and could create an unstable condition. Use the stroller with only one child at a time.

To prevent a hazardous, unstable condition, do not place more than 10 lb (4.5 kg) in storage basket and never place purses, shopping bags, parcels or other items on the handle or canopy. To prevent a hazardous, unstable condition, do not place more than 1 lb (0.45 kg) in the storage pocket on the back of the seat.

DO NOT use storage basket as a child carrier.

Avoid serious injury from falling or sliding out. **ALWAYS** use seat belt. After fastening buckles, adjust belts to get a snug fit around your child.

AVOID FINGER ENTRAPMENT Use care when folding and unfolding the stroller. Be certain the stroller is fully erected and locked before allowing your child near the stroller.

STRANGULATION HAZARD Do not place items with a string around your child's neck, suspend strings from the stroller, or attach strings to toys.

DO NOT let your child play with the stroller.

ALWAYS keep your child in view while in the stroller.

NEVER allow your child to stand on the stroller.

ALWAYS check that the ring adapter is correctly engaged before use.

The parking brake **MUST** be engaged when the stroller is stopped and when placing and removing child.

Negotiate curbs and rough ground carefully. Repeated impact could cause damage to the stroller.

The stroller is to be used only at walking speed and is not intended for use while jogging, skating, etc.

NEVER use the stroller on stairs or escalators. You may suddenly lose control of the stroller or your child may fall out.

The stroller does not replace a crib or a bed. Should your child need to sleep, they should be placed in a crib or sleeping area based on your child's requirements.

ALWAYS allow the fabric to dry naturally away from direct heat.

DO NOT leave the stroller exposed in the vicinity of a strong source of heat, i.e. a radiator or open fire, or store the stroller in a damp place.

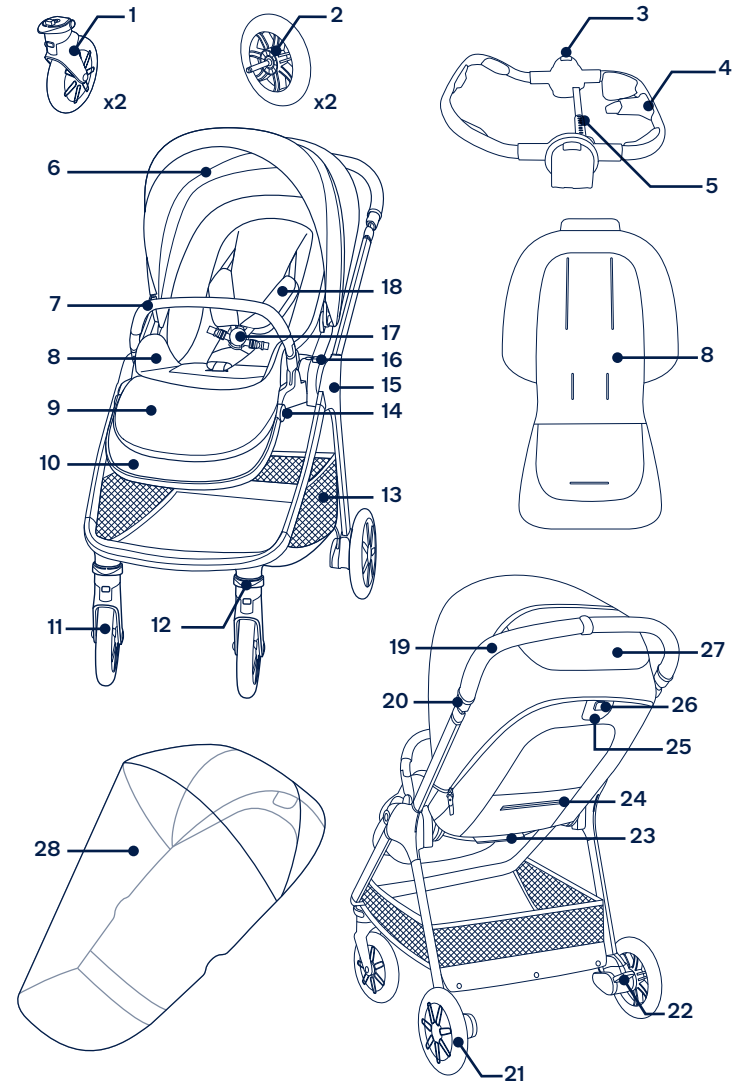
Magnetic Harness Buckle: The buckle and buckle clips contain magnets. If your child has a medical condition that prohibits the use of magnets near the child, do not use the stroller. Call Nuna to arrange an alternative product or different restraint solution.

Be mindful of the possible interaction of magnets in buckles and certain electronic devices.

Parts List

Make sure all parts are available before assembly.
If any part is missing, please contact Nuna (see page 4 for information). No tools are required for assembly.

- | | |
|-----------------------------------|---|
| 1 Front Wheel (x2) | 17 Buckle |
| 2 Rear Wheel (x2) | 18 Shoulder Harness Pad |
| 3 Adapter Release Button | 19 Handle |
| 4 Car Seat Ring Adapter | 20 Handle Adjustment Button |
| 5 Adapter Fold Strap | 21 Rear Wheel |
| 6 Canopy | 22 Brake Lever |
| 7 Arm Bar | 23 Stroller Fold Strap (under the seat) |
| 8 Insert | 24 Storage Pocket |
| 9 Seat Pad | 25 Recline Adjustment Button |
| 10 Calf Support | 26 Fold Button (in the middle of the Recline Adjustment Button) |
| 11 Front Wheel | 27 Canopy Window |
| 12 Swivel Lock | 28 Rain Cover* |
| 13 Storage Basket | |
| 14 Calf Support Adjustment Button | |
| 15 Stroller Frame | |
| 16 Seat Release Button | |



*Sold separately

Product Setup

Open Stroller

- 1 - Lift the handle to open the stroller frame.
- 2 - Pull the seat up towards the handle.

A “click” sound means the seat is open.

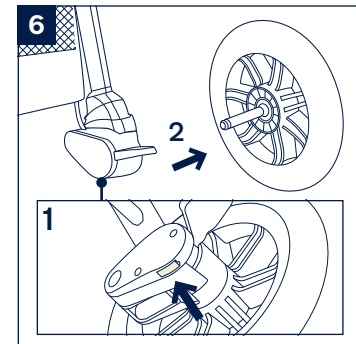
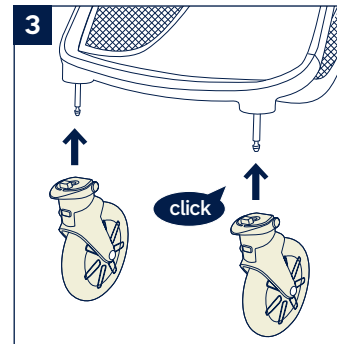
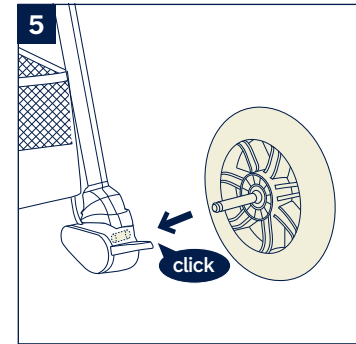
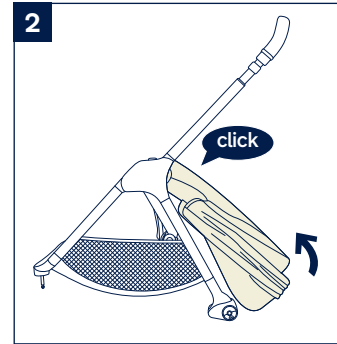
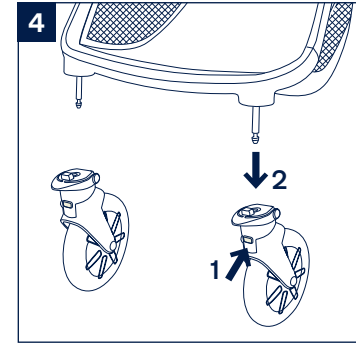
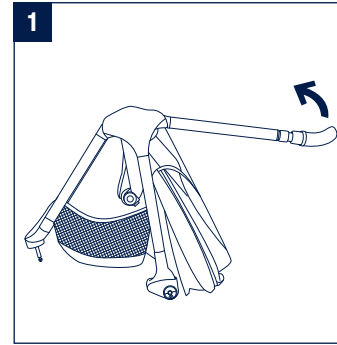
Check that the stroller is open completely and locked before continuing.

Front Wheels

- 3 - Slide the front wheel onto the end of the front leg. A “click” sound means the front wheel is assembled completely. Check that the wheel is securely attached by pulling out. Repeat on opposite side.
- 4 - To remove the front wheel, press the release button (1) and detach the front wheel from the front leg (2).

Rear Wheels

- 5 - Insert the rear wheel into the rear leg. A “click” sound means the rear wheel is assembled completely. Check that the wheel is securely attached by pulling out. Repeat on opposite side.
- 6 - To remove the rear wheel, press the release button (1) and detach the rear wheel from the rear leg (2).



Arm Bar

! It is always recommended that the arm bar be used, but it is not a restraint device. Always secure the child with the harness.

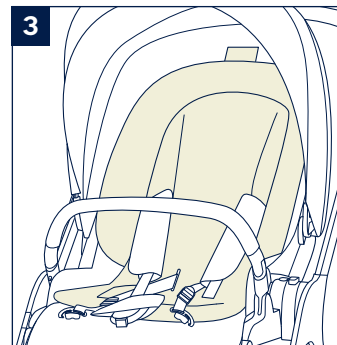
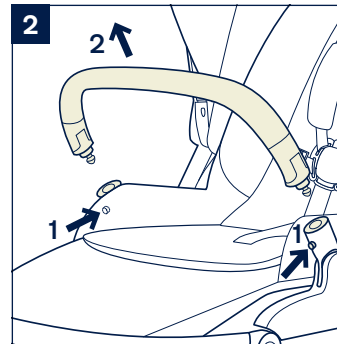
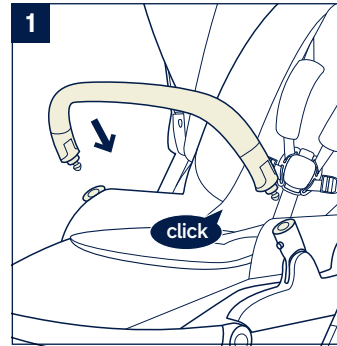
- 1** - Align the arm bar ends with the arm bar mounts, and insert until it clicks into place. A “click” sound means the arm bar is assembled completely.
- 2** - To remove the arm bar, press the arm bar release buttons **(1)** and lift the arm bar up **(2)**.

Insert

- 3** - To assemble the insert, place the insert over the seat pad and thread the shoulder, waist and crotch harness straps through their respective slots.

Check Setup

- Stroller frame is fully open and locked.
- Rear and front wheels are securely attached.
- Arm bar is securely attached.



Product Use

Canopy

- 1 - To open the canopy, pull the canopy toward the front of the seat. To close the canopy, push it back.
- 2 - Unzip the zipper for extra shade.
- 3 - For added ventilation, flip the canopy window cover up.

Front Swivel Locks

In Use Position:

It is recommended to use the front swivel locks on uneven surfaces.

- 4 - Pull the front swivel lock up (1) to lock the front wheel and push down (2) to unlock it.

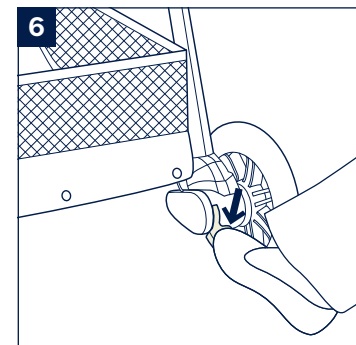
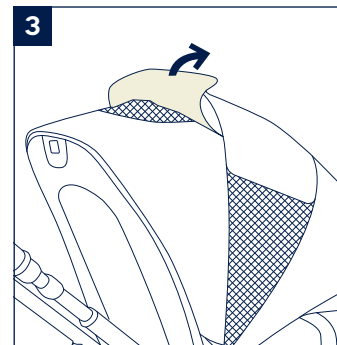
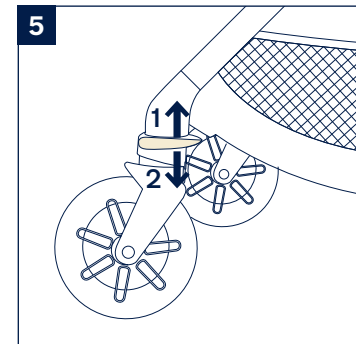
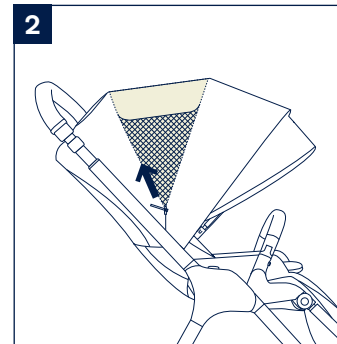
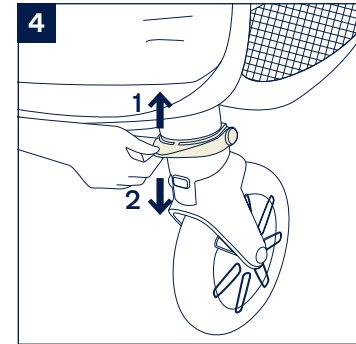
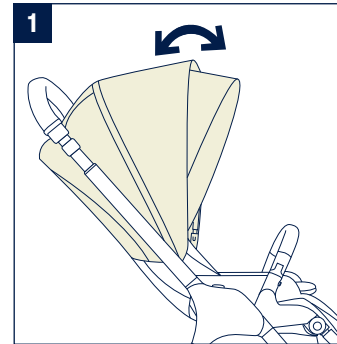
Fold Position:

Lock the wheels forward of the stroller frame before folding. This allows the stroller to stand on its own.

- 5 - With the front wheel forward of the stroller frame, pull the front swivel lock up (1) to lock the wheel and push down (2) to unlock it.

Brake

- 6 - To lock the rear wheels, step down on the brake lever.
To unlock the rear wheels, step down on the brake lever again.
- ⚠ Always apply the brake when the stroller is stopped.
Push the stroller slightly to ensure the brake is engaged.



Handle

The handle has 5 positions.

- 1 - To adjust the height of the handle, pull the handle adjustment button (1) and move the handle up or down (2).

Recline

There are 3 recline positions.

- 2 - To recline the seat, pull the recline adjustment button (1) and tilt the backrest up or down (2).

Calf Support

The calf support has 2 positions.

- 3 - To raise the calf support, lift up until it locks into position with a “click.”

To lower the calf support, press the calf support adjustment buttons (1) and push the calf support down (2).

Storage Pocket

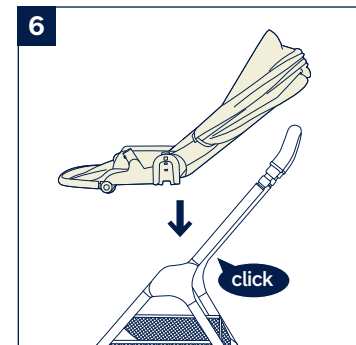
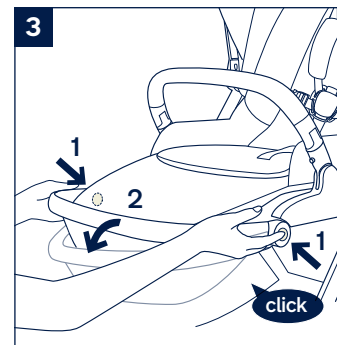
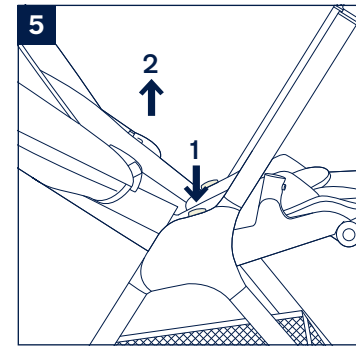
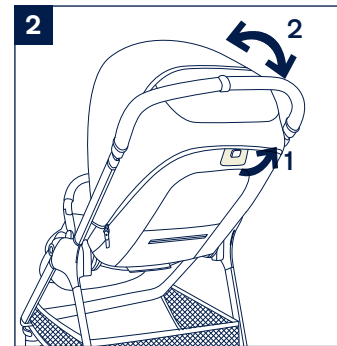
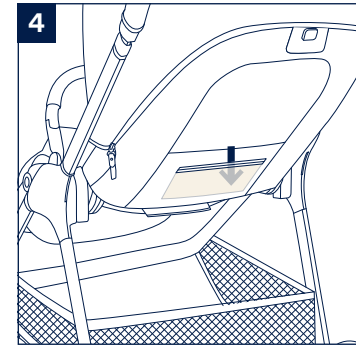
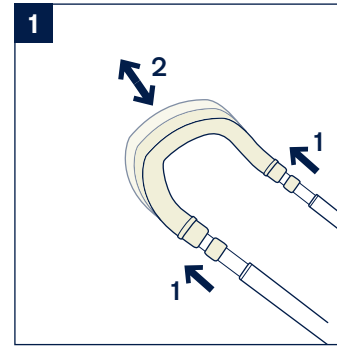
- 4 - Use the storage pocket on the back of the seat for lightweight storage.

⚠ To prevent a hazardous, unstable condition, **DO NOT** place more than 1 lb (0.45 kg) of items in the storage pocket.

Reverse Seat

- 5 - Press the seat release button (1) and lift the seat up (2).
- 6 - Reverse the seat, and then attach it to the frame.

A “click” sound means the seat is attached completely.



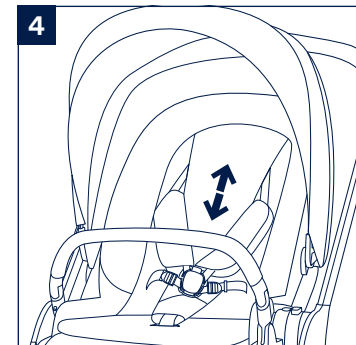
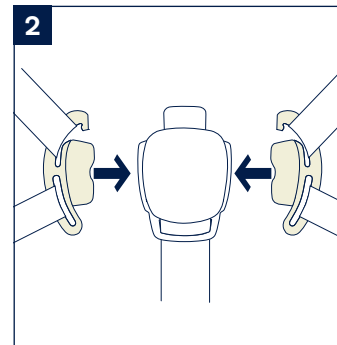
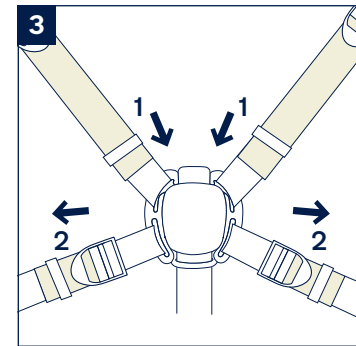
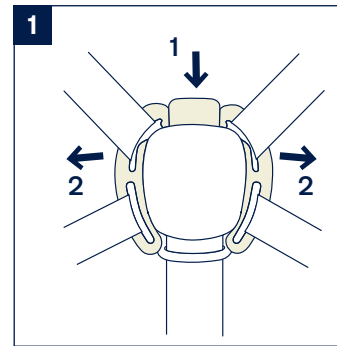
- ⚠** The parking brake **MUST** be engaged when the stroller is stopped and when placing and removing child.

Securing Your Child

- 1** - Push the top button on the buckle (**1**) to release the buckle latch and remove the magnetic clips (**2**).
Place your child in the stroller.
- 2** - Insert the magnetic clips into the buckle.
- 3** - Fit the harness snugly to your child by sliding the adjustment straps to tighten (**1**). Then pull the waist adjustment straps out (**2**).

Shoulder Harness Position

- 4** - The upper shoulder harness buckles can be moved up and down for added adjustment.
- ⚠** To avoid serious injury from falling or sliding out, always secure your child with the harness.
- Make sure the harness is adjusted properly and your child is snugly secured. The space between the child and the shoulder harness should be about the thickness of one finger. **DO NOT** cross the shoulder belts. This will cause pressure on your child's neck.



Fold

Before folding:

Adjust the handle to the lowest position.

Lock the front wheels in the fold position using the swivel locks (page 16).

After folding (to stand):

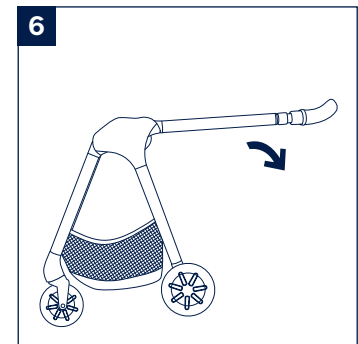
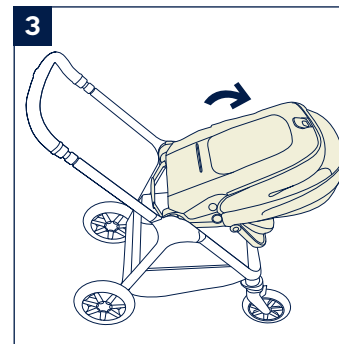
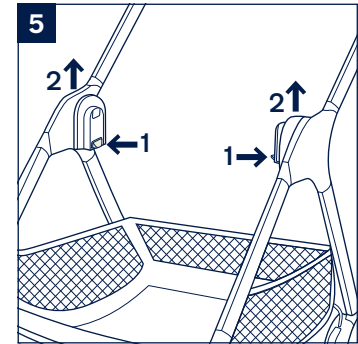
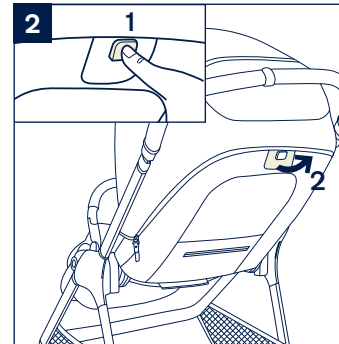
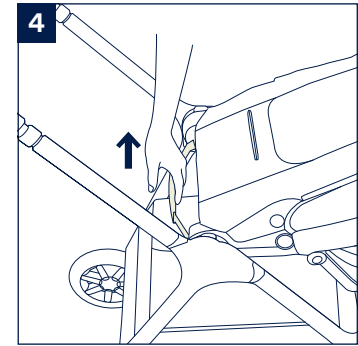
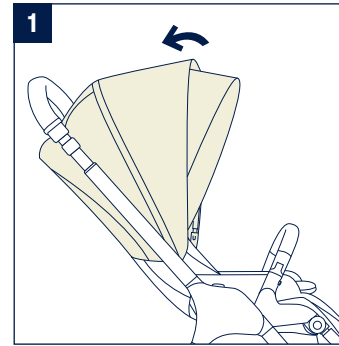
Let the stroller rest on its handle and front wheels.

With Seat Attached

- 1 - Close the canopy.
- 2 - Press the fold button (1) on the middle of the recline adjustment button, then pull the recline adjustment button (2).
- 3 - Fold the seat down.
- 4 - Pull the stroller fold strap to fold the stroller.

Without Seat Attached

- 5 - Press the fold release buttons on the seat mounts (1). While pressing the fold release buttons, pull up on the stroller frame at the seat mounts (2) and the stroller will begin to fold.
- ⚠** For safety, hold the stroller frame only at the seat mounts, not where the frame legs fold.
- 6 - Fold the stroller completely by rotating the handle down.



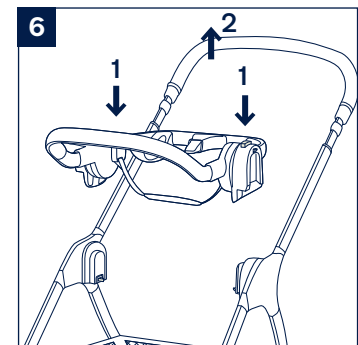
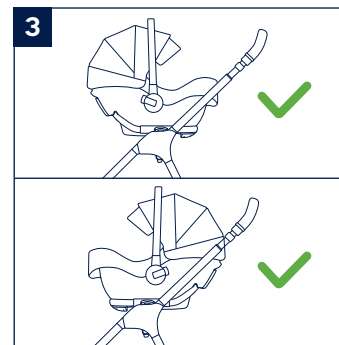
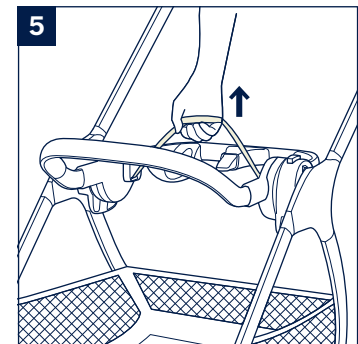
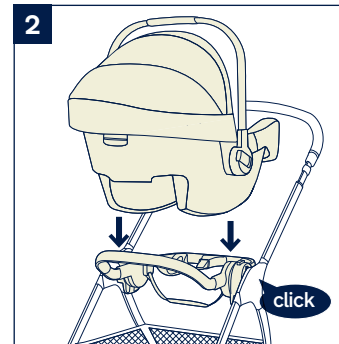
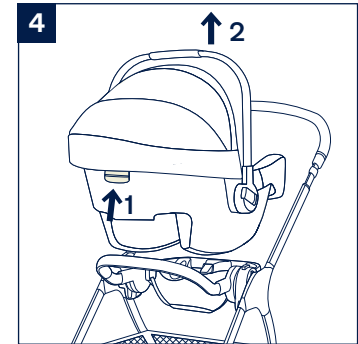
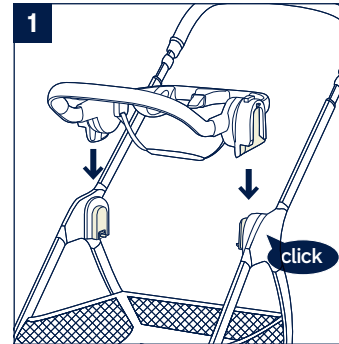
Accessories

Car Seat Ring Adapter

Use the car seat ring adapter only with a Nuna PIPA™ series infant carrier in combination with a Nuna TRIV™ next stroller.

See PIPA™ series instruction manual for proper usage of the infant carrier.

- 1 - To attach the car seat ring adapter, place the ring adapter on the seat mount. A “click” sound means the ring adapter is attached.
- 2 - To attach the infant carrier, place the infant carrier on the ring adapter. A “click” sound means the infant carrier is attached.
- ⚠ Pull up on the infant carrier to check that it is securely attached to the adapter and that the adapter is securely attached to the stroller.
- 3 - The ring adapter can be attached so that the infant carrier is rear facing or forward facing.
- 4 - To remove the infant carrier, squeeze the release button located on the back of the infant carrier (1) and lift up (2).
- ⚠ Remove the infant carrier before folding.
- 5 - To fold the stroller with the ring adapter attached, pull the adapter fold strap.
- 6 - To remove the ring adapter (with the stroller unfolded), push the adapter release buttons (1) and lift the adapter up (2).



Accessories

Rain Cover*

1 - To assemble the rain cover, place it over the stroller.

ALWAYS check ventilation when the rain cover is on the product.

ALWAYS check that the rain cover has been cleaned and dried before folding.

DO NOT fold the stroller with the rain cover in place.

DO NOT place your child into the stroller with the rain cover in place during hot weather.



*Sold separately

Cleaning and Maintenance

Refer to the care label attached to the fabric for washing and drying instructions.

Clean the frame, plastic parts, and fabric with a damp cloth, but do not use abrasives or bleach. Do not use silicon lubricants as they will attract dirt and grime. Do not store your stroller in a damp place.

Clean the stroller wheels regularly with water and remove any dirt.

To ensure long-lasting use, wipe off this product with a soft, absorbent cloth after using it in rainy weather.

It is normal for fabric to color from sunlight and to show wear and tear after a long period of use, even when used normally.

For reasons of safety, only use original Nuna parts.

Check regularly if everything functions properly. If any parts are torn, broken, or missing, stop using this product.



MERCI!

Vous venez d'acheter un produit Nuna, et vous pouvez être sûr que votre enfant reçoit ce qu'il y a de mieux. Nos produits sont soigneusement conçus en matière de sécurité, avec des tissus luxueux et un style sophistiqué. Quelle que soit la raison pour laquelle vous êtes tombé amoureux de Nuna, soyez assuré que vos aventures avec votre enfant seront plus faciles à partir de maintenant afin de profiter de plus de moments heureux en famille.



IMPORTANT!
CONSERVER CES
DIRECTIVES POUR
RÉFÉRENCE FUTURE :
LIRE ATTENTIVEMENT

Contenu

Informations sur le produit	34
Enregistrement du Produit (pour les résidents américains seulement)	
Garantie limitée	
Contact	
Conditions d'utilisation en ce qui concerne l'enfant	35
Mise en garde	36
Liste des pièces	40
Installation du produit	42
Utilisation du produit	46
Accessoires	54
Nettoyage et entretien	58

Informations sur le produit

Numéro du modèle: _____

Date de fabrication: _____

Enregistrement du Produit (pour les résidents américains seulement)

Veillez remplir les renseignements ci-dessus. Le numéro de modèle et la date de fabrication se trouvent sur l'étiquette sur le cadre de la poussette. Remplissez la carte postale d'enregistrement prépayée jointe au produit et postez-la dès aujourd'hui.

Pour enregistrer votre produit, veuillez-vous rendre à:
www.nunababy.com
Cliquez sur le lien « Enregistrement d'un produit » sur la page d'accueil.

Garantie limitée

Nos produits de haute qualité sont intentionnellement conçus afin qu'ils puissent grandir avec votre enfant et votre famille. Notre équipement est couvert par une garantie limitée personnalisée par produit, à compter de la date où il a été acheté, car nous garantissons la qualité de notre produit. Avoir en main la preuve d'achat, le numéro de modèle et la date de fabrication lorsque vous nous contacterez.

Pour des renseignements concernant la garantie, consulter :
www.nunababy.ca/fr/about-us/1143-warranty

Contact

Pour les pièces de rechange, les réparations ou d'autres questions concernant la garantie, contacter notre service à la clientèle.

Aux É.U.:

infousa@nunababy.com
www.nunababy.com
1.855.NUNA.USA

Au Canada:

Nuna Canada
2520 AV Marie-Curie
St-Laurent, QC, H4S 1N1
1-800-667-4111
www.nunababy.ca

Conditions d'utilisation en ce qui concerne l'enfant

Cette poussette peut être utilisée avec des enfants qui répondent aux exigences suivantes :

Poids: jusqu'à 22,7 kg (50 lb) maximum

Taille: jusqu'à 114,3 cm (45 po)

Lorsque vous utilisez le cadre de la poussette avec un siège d'auto pour bébé de la série PIPA™, reportez-vous aux exigences d'utilisation de l'enfant indiquées dans le manuel d'instructions du siège d'auto pour bébé.

▲ MISE EN GARDE

Le non-respect de ces directives peut entraîner des blessures graves, voire mortelles.

La sécurité d'un enfant est votre responsabilité.
NE JAMAIS laisser votre enfant sans surveillance.

Pour éviter tout risque de suffocation, retirer toutes les protections en plastique avant d'utiliser la poussette et les détruire ou les garder hors de portée des bébés et des enfants!

Conservé les petites pièces à l'écart des enfants, car elles présentent un risque d'étouffement.

Cesser d'utiliser cette poussette si celle-ci est endommagée ou brisée.

NE PAS apporter de changements ou de modifications à cette poussette qui ne sont pas spécifiés dans ce manuel.

Utiliser uniquement des pièces et accessoires d'origine Nuna.

La surcharge, le pliage incorrect et l'utilisation d'accessoires autres que ceux approuvés par Nuna, comme les sièges d'enfant, les crochets de sac, les housses imperméables, les planches de poussette, etc. peuvent endommager cette poussette ou la rendre dangereuse.

L'utilisation de cette poussette avec un enfant pesant plus de 22,7 kg (50 lb) ou dont la taille est supérieure à 114,3 cm (45 po) entraînera une usure et une contrainte excessive sur la poussette et pourrait créer une condition instable. Utiliser la poussette avec un seul enfant à la fois.

Pour éviter tout risque d'instabilité, ne placez pas plus de 4,5 kg (10 lb) dans le panier de rangement et ne placez jamais de sacs à main, de sacs à provisions, de paquets ou d'autres objets sur la poignée ou la capote. Pour éviter une condition dangereuse et instable, ne pas placer plus de 0,45 kg (1 lb) dans la pochette de rangement derrière le siège.

NE PAS utiliser le panier de rangement comme porte-enfant.

Éviter les blessures graves en cas de chute ou de glissement. **TOUJOURS** utiliser la ceinture de sécurité. Après avoir attaché les boucles, ajuster les ceintures pour qu'elles tiennent bien autour de l'enfant.

ÉVITER LE COINCEMENT DES DOIGTS User de prudence lorsque vous repliez et dépliez la poussette. S'assurer que la poussette est complètement érigée et verrouillée avant de permettre à votre enfant de s'en approcher.

RISQUE DE STRANGULATION Ne pas placer des articles avec une ficelle autour du cou d'un enfant, suspendre des ficelles de cette poussette ou attacher des ficelles aux jouets.

NE PAS laisser votre enfant jouer avec la poussette.

TOUJOURS garder votre enfant en vue lorsqu'il se trouve dans la poussette.

NE JAMAIS laisser votre enfant se tenir debout sur la poussette.

TOUJOURS vérifier que l'adaptateur circulaire est correctement engagé avant l'utilisation.

Le frein de stationnement **DOIT** être enclenché lorsque la poussette est arrêtée et pendant la mise en place et le retrait de l'enfant.

Négocier soigneusement les bordures et les terrains accidentés. Des chocs répétés pourraient endommager la poussette.

La poussette doit être utilisée uniquement à la vitesse de marche et n'est pas destinée à être utilisée pendant le jogging, le patinage à roulettes, etc.

NE JAMAIS utiliser la poussette dans les escaliers ou les escaliers mécaniques. Il est possible de perdre soudainement le contrôle de la poussette ou votre enfant peut tomber.

La poussette ne remplace pas un berceau ou un lit. Si votre enfant a besoin de dormir, il devrait être placé dans un berceau ou dans une aire de sommeil selon les besoins de votre enfant.

TOUJOURS laisser le tissu sécher naturellement, à l'abri de la chaleur directe.

NE PAS laisser la poussette exposée à proximité d'une source de chaleur forte, c.-à-d. un radiateur ou un feu à ciel ouvert, ou entreposer la poussette dans un endroit humide.

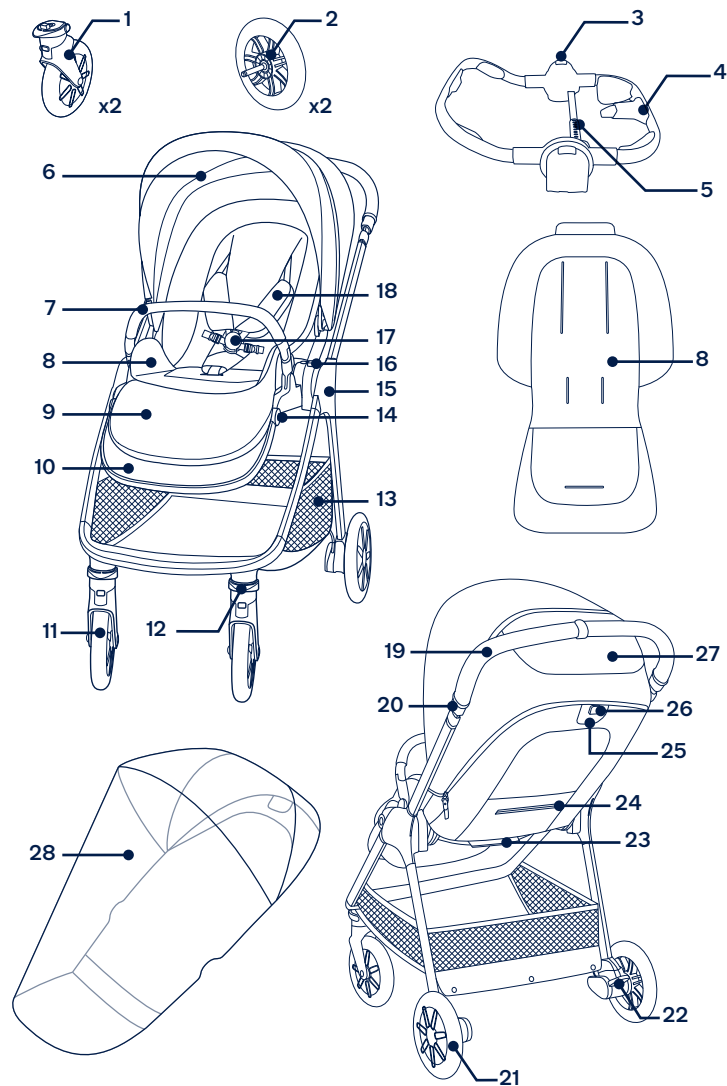
Boucle d'attache magnétique: La boucle et les attaches de la boucle contiennent des aimants. Si votre enfant souffre d'un problème médical qui interdit l'utilisation d'aimants à sa proximité, n'utilisez pas la poussette. Appelez Nuna pour convenir d'un produit alternatif ou d'une solution de retenue différente.

Faites attention à l'interaction possible entre les aimants des boucles et certains appareils électroniques.

Liste des pièces

S'assurer que toutes les pièces sont présentes avant l'assemblage. Si une pièce est manquante, veuillez contacter Nuna (voir page 34 pour plus d'informations). Aucun outil n'est requis pour l'assemblage.

- | | |
|--|---|
| 1 Roue avant (x2) | 16 Bouton de déverrouillage du siège |
| 2 Roue arrière (x2) | 17 Boucle |
| 3 Bouton de déverrouillage de l'adaptateur | 18 Coussin de ceinture-baudrier |
| 4 Adaptateur circulaire pour siège d'auto | 19 Poignée |
| 5 Sangle de pliage de l'adaptateur | 20 Bouton de réglage de la poignée |
| 6 Capote | 21 Roue arrière |
| 7 Accoudoir | 22 Levier de frein |
| 8 Coussin rehausseur | 23 Sangle de pliage de la poussette (sous le siège) |
| 9 Coussin de siège | 24 Pochette de rangement |
| 10 Repose-jambes | 25 Bouton de réglage de l'inclinaison |
| 11 Roue avant | 26 Bouton de pliage (au milieu du bouton de réglage de l'inclinaison) |
| 12 Verrou pivotant | 27 Fenêtre de la capote |
| 13 Panier de rangement | 28 Housse imperméable* |
| 14 Bouton de réglage du repose-jambes | |
| 15 Cadre de la poussette | |



*Vendue séparément

Installation du produit

Ouvrir la poussette

1 - Soulever la poignée pour ouvrir le cadre de la poussette.

2 - Tirer le siège vers le haut en direction de la poignée.

Un « clic » signifie que le siège est ouvert.

Avant de continuer, vérifier que la poussette est complètement ouverte et verrouillée.

Roues avant

3 - Faire glisser la roue avant sur l'extrémité de la jambe avant.

Un « clic » signifie que la roue avant est complètement assemblée.

Vérifier que la roue est bien fixée en tirant dessus.

Répéter de l'autre côté.

4 - Pour retirer la roue avant, appuyer sur le bouton de déverrouillage (1) et retirer la roue avant de la jambe avant (2).

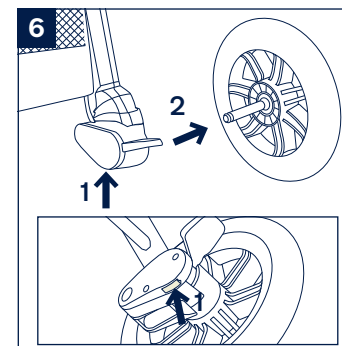
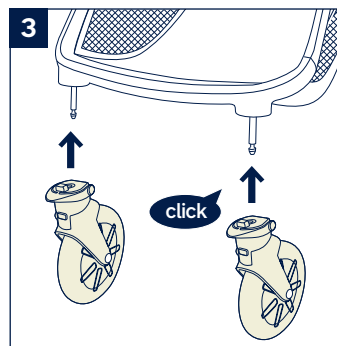
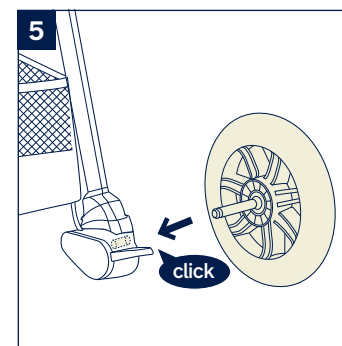
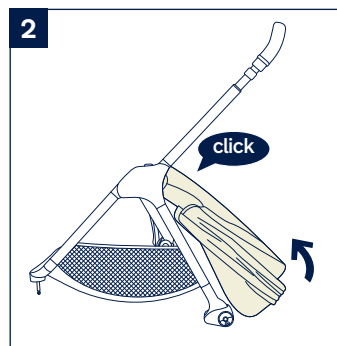
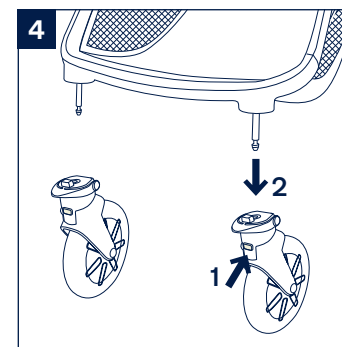
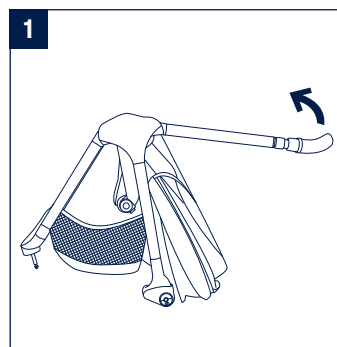
Roues arrière

5 - Insérer la roue arrière dans la jambe arrière. Un « clic » signifie que la roue arrière est complètement assemblée.

Vérifier que la roue est bien fixée en tirant dessus.

Répéter de l'autre côté.

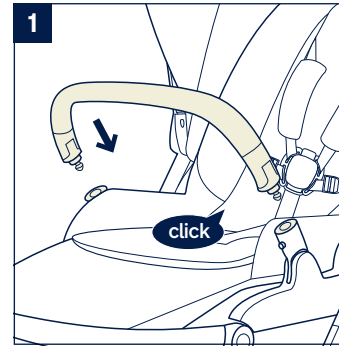
6 - Pour retirer la roue arrière, appuyer sur le bouton de déverrouillage (1) et retirer la roue arrière de la jambe arrière (2).



Accoudoir

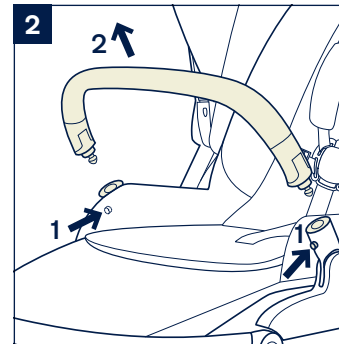
⚠ Il est toujours recommandé d'utiliser l'accoudoir, mais il ne s'agit pas d'un dispositif de retenue. Toujours attacher l'enfant avec le harnais.

- 1 - Aligner les extrémités de l'accoudoir avec les supports de l'accoudoir et l'insérer jusqu'à ce qu'il s'enclenche. Un « clic » signifie que l'accoudoir est complètement assemblé.
- 2 - Pour retirer l'accoudoir, appuyer sur les boutons de déverrouillage de l'accoudoir (1) et le soulever (2).



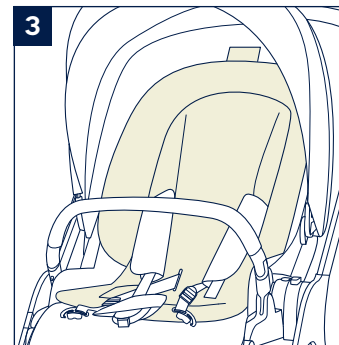
Coussin rehausseur

- 3 - Pour installer le coussin rehausseur, le placer sur le coussin de siège et enfiler les harnais d'épaule, de taille et d'entrejambe à travers leurs fentes respectives.



Vérifier l'assemblage

- Le cadre de la poussette est complètement ouvert et verrouillé.
- Les roues arrière et avant sont solidement fixées.
- L'accoudoir est solidement fixé.



Utilisation du produit

Capote

- 1 - Pour ouvrir la capote, la tirer vers l'avant du siège. Pour fermer la capote, la repousser vers l'arrière.
- 2 - Ouvrir la fermeture éclair pour avoir plus d'ombre.
- 3 - Pour une meilleure ventilation, rabattre le couvercle de la fenêtre de la capote.

Loquets pivotants avant

En position d'utilisation:

Sur des surfaces inégales, il est recommandé d'utiliser les loquets pivotants avant.

- 4 - Remonter le verrou pivotant avant (1) pour verrouiller la roue avant et pousser vers le bas (2) pour déverrouiller.

Position de pliage:

Verrouillez les roues avant du cadre de la poussette avant de la plier. Cela permet à la poussette de tenir debout par elle-même.

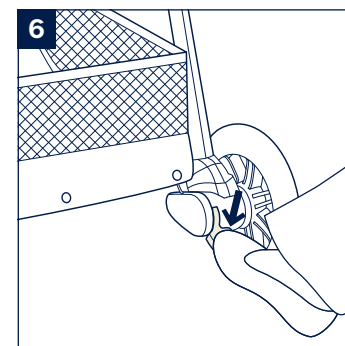
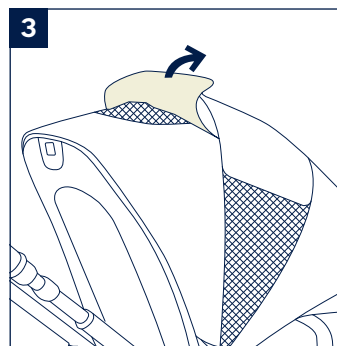
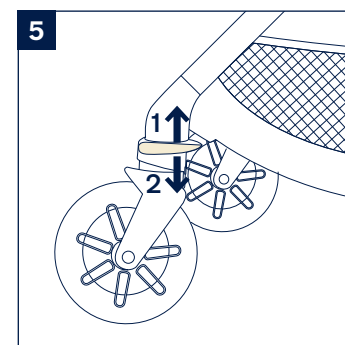
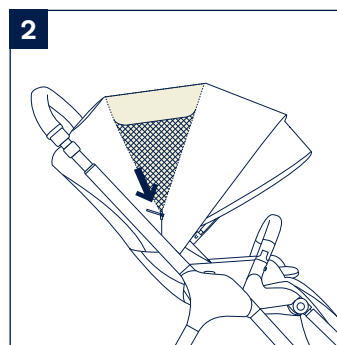
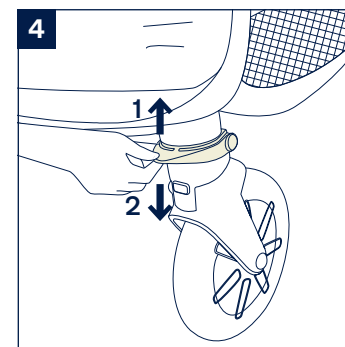
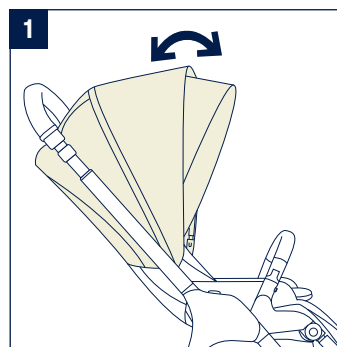
- 5 - Avec la roue avant du cadre de la poussette, tirer le verrou pivotant avant vers le haut (1) pour verrouiller la roue et pousser vers le bas (2) pour déverrouiller.

Frein

- 6 - Pour immobiliser les roues arrière, abaisser le levier de frein à l'aide du pied.

Pour débloquer les roues arrière, appuyer à nouveau sur le levier de frein à l'aide du pied.

- ⚠ Toujours appliquer le frein lorsque la poussette est arrêtée. Pousser légèrement la poussette pour vous assurer que le frein est engagé.



Poignée

La poignée est dotée de cinq positions.

- 1 - Pour régler la hauteur de la poignée, tirer le bouton de réglage de la poignée (1) et déplacer la poignée vers le haut ou vers le bas (2).

Inclinaison

Il y a trois positions d'inclinaison.

- 2 - Pour incliner le siège, tirer le bouton de réglage d'inclinaison (1) et incliner le dossier vers le haut ou vers le bas (2).

Repose-jambes

Le repose-jambes peut prendre deux positions.

- 3 - Pour relever le repose-jambes, le soulever jusqu'à ce qu'il se verrouille en émettant un « clic ».

Pour abaisser le repose-jambes, appuyer sur les boutons de réglage du repose-jambes (1) et le pousser vers le bas (2).

Pochette de rangement

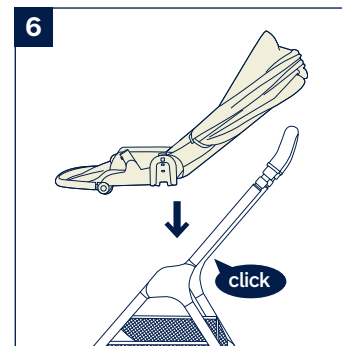
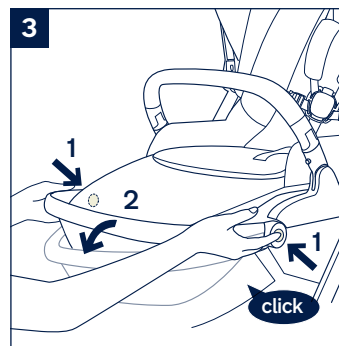
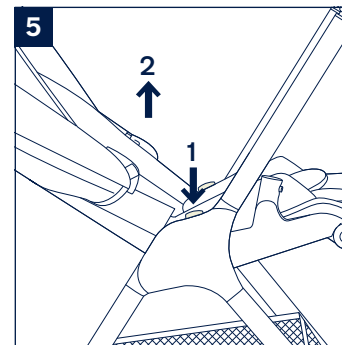
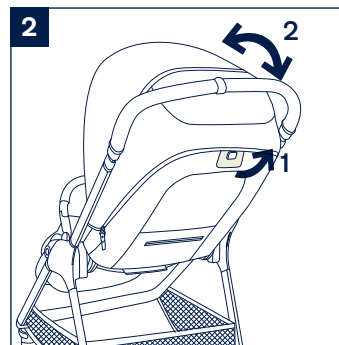
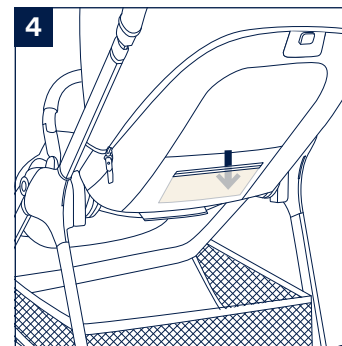
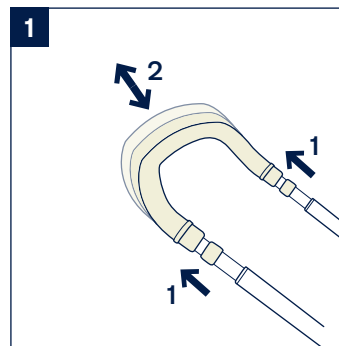
- 4 - Utiliser la pochette de rangement à l'arrière du siège pour ranger des objets légers.

⚠ Pour éviter une condition dangereuse et instable, **NE PAS** placer plus de 0,45 kg (1 lb) dans la pochette de rangement.

Changer l'orientation du siège

- 5 - Appuyer sur le bouton de déverrouillage du siège (1) et soulever le siège (2).
- 6 - Inverser le siège, puis l'attacher au cadre.

Un « clic » signifie que le siège est installé complètement.



- ⚠ Le frein de stationnement **DOIT** être enclenché lorsque la poussette est arrêtée et pendant la mise en place et le retrait de l'enfant.

Installer votre enfant en sécurité

- 1** - Appuyer sur le bouton supérieur de la boucle (**1**) pour ouvrir le fermoir de la boucle et retirer les attaches magnétiques (**2**).

Placer votre enfant dans la poussette.

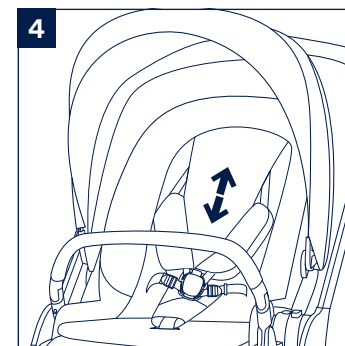
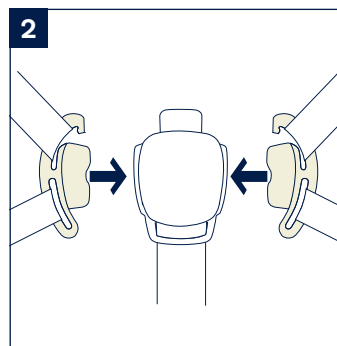
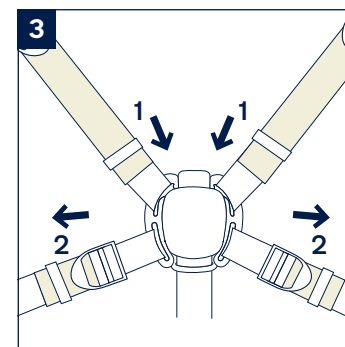
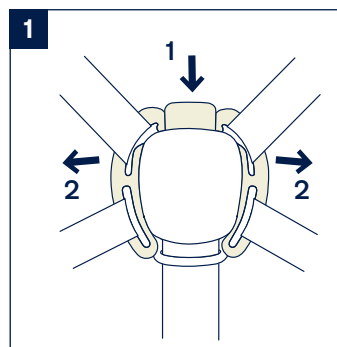
- 2** - Insérez les attaches magnétiques dans la boucle
- 3** - Placer le harnais bien ajusté sur votre enfant en faisant glisser les sangles de réglage pour serrer (**1**). Tirer ensuite les sangles de réglage de la taille vers l'extérieur (**2**).

Position de la ceinture-baudrier

- 4** - Les ceintures-baudrier supérieures du harnais d'épaule peuvent être déplacées vers le haut et le bas pour un réglage supplémentaire.

- ⚠ Pour éviter des blessures dues à une chute ou un glissement, toujours attacher votre enfant avec le harnais.

S'assurer que le harnais est correctement ajusté et que votre enfant est attaché sécuritairement. L'espace entre l'enfant et la ceinture-baudrier doit être d'environ l'épaisseur d'un doigt. **NE PAS** croiser les ceintures d'épaule. Ceci pourrait exercer une pression sur le cou de votre enfant.



Replier

Avant de replier:

Régler la poignée à la position la plus basse.

Bloquez les roues avant en position de pliage à l'aide des verrous de pivotement (page 46).

Après le pliage (mettre debout):

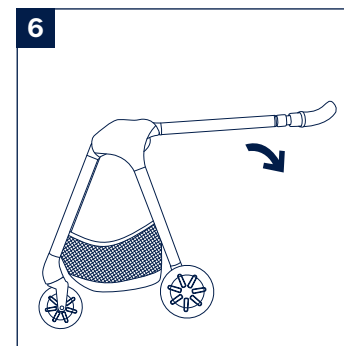
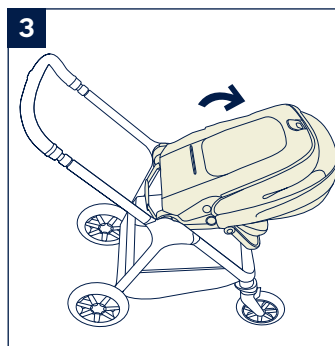
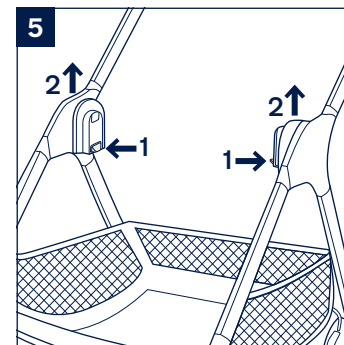
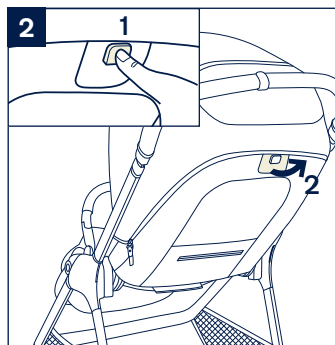
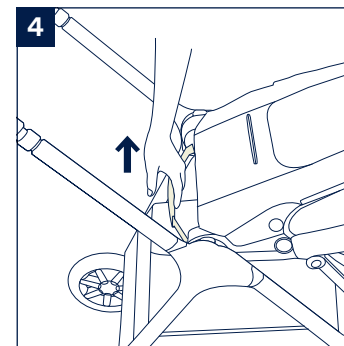
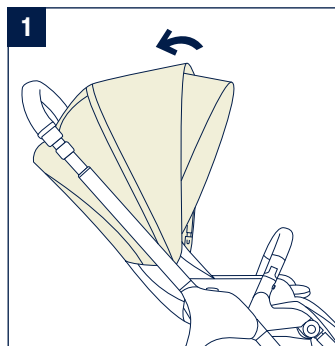
Laisser la poussette reposer sur les poignées et les roues avant.

Avec siège attaché

- 1 - Fermez la capote.
- 2 - Appuyer sur le bouton de pliage (1) au milieu du bouton de réglage de l'inclinaison, puis tirer le bouton de réglage de l'inclinaison (2).
- 3 - Replier le siège vers le bas.
- 4 - Tirer la sangle de pliage de la poussette pour replier.

Sans siège attaché

- 5 - Appuyer sur les boutons de déverrouillage des supports de siège (1). Tout en appuyant sur les boutons de déverrouillage, tirer sur le cadre de la poussette au niveau des supports de siège (2) et la poussette commencera à se plier.
- ⚠** Pour des raisons de sécurité, tenir le cadre de la poussette uniquement par les supports du siège, et non à l'endroit où les jambes du cadre se replient.
- 6 - Replier complètement la poussette en pivotant la poignée vers le bas.



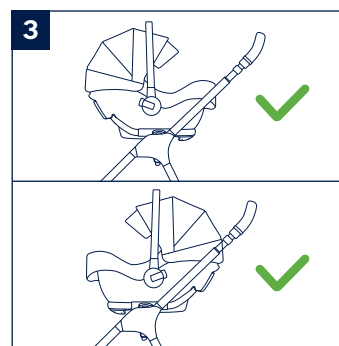
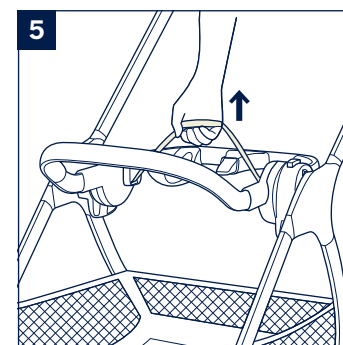
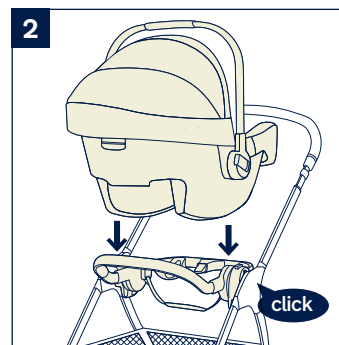
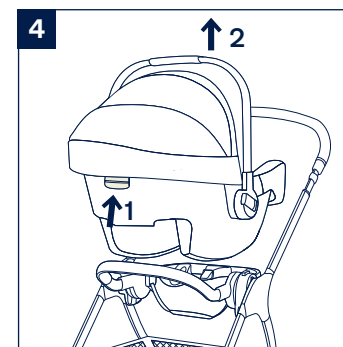
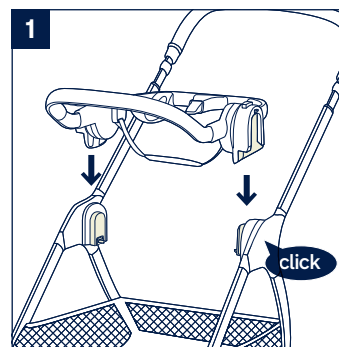
Accessoires

Adaptateur circulaire pour siège d'auto

Utiliser l'adaptateur circulaire seulement avec un siège d'auto pour bébé de la série Nuna PIPA™ en combinaison avec une poussette Nuna TRIV™ next.

Voir le manuel d'instructions de la série PIPA™ pour l'utilisation correcte du siège d'auto pour bébé.

- 1 - Pour fixer l'adaptateur circulaire pour siège d'auto, le placer sur le support de siège. Un « clic » signifie que l'adaptateur est bien installé.
 - 2 - Pour fixer le siège d'auto pour bébé, le placer sur l'adaptateur circulaire. Un « clic » signifie que le siège d'auto pour bébé est bien installé.
- ⚠ Tirer le siège d'auto pour bébé vers le haut pour vérifier qu'il est bien fixé sur l'adaptateur et que l'adaptateur est bien fixé sur la poussette.
- 3 - L'adaptateur circulaire peut être fixé de sorte que le siège d'auto pour bébé soit orienté vers l'arrière ou vers l'avant.
 - 4 - Pour retirer le siège d'auto pour bébé, pressez sur le bouton de déverrouillage à l'arrière du siège d'auto pour bébé (1) et soulevez (2).
- ⚠ Retirer le siège d'auto pour bébé avant de le replier.
- 5 - Pour plier la poussette avec l'adaptateur circulaire fourni, tirer sur la sangle de pliage de l'adaptateur.
 - 6 - Pour retirer l'adaptateur circulaire (avec la poussette dépliée), appuyer sur les boutons de déverrouillage de l'adaptateur (1) et soulevez-le (2).



Accessoires

Housse imperméable*

1 - Pour installer la housse imperméable, la placer sur la poussette.

TOUJOURS vérifier la ventilation lorsque la housse imperméable est sur le produit.

TOUJOURS vérifier que la housse imperméable a été nettoyée et séchée avant de la plier.

NE PAS replier la poussette avec la housse imperméable en place.

NE PAS placer votre enfant dans la poussette avec la housse imperméable en place par temps chaud.



Nettoyage et entretien

Se reporter à l'étiquette d'entretien attachée au tissu pour les directives de lavage et de séchage.

Nettoyer le châssis, les pièces en plastique et le tissu à l'aide d'un chiffon humide, mais ne pas utiliser d'abrasifs ni d'agent de blanchiment. Ne pas utiliser de lubrifiants au silicone, car ils attireront la saleté et la crasse. Ne pas ranger votre poussette dans un endroit humide.

Nettoyer régulièrement les roues de la poussette avec de l'eau et retirer toute saleté.

Essuyer ce produit avec un chiffon doux et absorbant après l'avoir utilisé par temps de pluie pour assurer une utilisation durable.

Même en conditions usuelles d'utilisation de la poussette, il est normal que le tissu se décolore en raison du soleil et présente une usure après une longue période d'utilisation.

Pour des raisons de sécurité, n'utiliser que des pièces Nuna d'origine.

Vérifier régulièrement si tout fonctionne correctement. Si des pièces sont déchirées, cassées ou manquantes, cesser d'utiliser ce produit.



Nuna Baby Essentials, Inc.

70 Thousand Oaks Blvd. | Morgantown, PA 19543

1.855.NUNA.USA | nunababy.com

Nuna Canada

2520 AV Marie-Curie | St-Laurent, QC, H4S 1N1

1-800-667-4111 | www.nunababy.ca