

triv™ next



nuna®

The Nuna logo is a stylized, white, lowercase 'nuna' with a registered trademark symbol (®) to its upper right. The letters are rounded and connected, giving it a modern, clean appearance.

nuna®

Find out more at [nunababy.com](https://www.nunababy.com)

Designed
around your life

nuna®

IMPORTANT!
KEEP THESE
INSTRUCTIONS FOR
FUTURE REFERENCE:
READ CAREFULLY

Contents

Product Information	4
Warranty	
Contact	
Child Usage Requirements	5
Warnings	6
Parts List	10
Product Set up	12
Product Use	16
Accessories	26
Care and Maintenance	32

Product Information

Model Number: _____

Manufactured Date: _____

The model number and the manufactured in date are located on a label on the stroller frame.

Warranty

Our goods come with guarantees that cannot be excluded under the Australian Consumer Law. You are entitled to a replacement or refund for a major failure and compensation for any other reasonably foreseeable loss or damage. You are also entitled to have the goods repaired or replaced if the goods fail to be of acceptable quality and the failure does not amount to a major failure.

We have purposely designed our high-quality products so that they can grow with both your child and your family. Because we stand by our product, our gear is covered by a custom warranty per product, starting from the day it was purchased. Please have the proof of purchase, model number and manufactured in date available when you contact us.

For warranty information please visit:
www.nunababy.com

Contact

For replacement parts, service, or additional warranty questions, please contact our customer service department.

Distributed by Nuna Baby Australia Pty Ltd

ACN: 642 240 140

Unit 1, 35 Lyn Parade Prestons, NSW Australia 2170

For after-sales & warranty service, contact:

1800 951 070

customerservice@nunababy.com.au

Child Usage Requirements

This stroller is suitable for use with children who meet the following requirements:

Weight: up to 22.7 kg maximum

When using the stroller frame with TRIV or LYTL bassinet or KLIK plus infant carrier, refer to the child usage requirements listed in those instruction manuals.

TRIV or LYTL bassinet

Weight: up to 9 kg maximum

KLIK plus infant carrier

Weight: up to 13 kg maximum

WARNING

FOLLOW THE MANUFACTURER'S INSTRUCTIONS. PUT ON ALL THE BRAKES WHENEVER YOU PARK THE PRAM/STROLLER.

DO NOT LEAVE CHILDREN UNATTENDED. ALWAYS KEEP CHILD IN VIEW WHILE IN PRAM/STROLLER.

DO NOT USE THE SEAT WITH ANY OTHER MODELS OF PRAM/STROLLER.

USE THIS HARNESS AT ALL TIMES.

DO NOT CARRY EXTRA CHILDREN OR BAGS ON THIS PRAM/STROLLER.

MAKE SURE CHILDREN ARE CLEAR OF ANY MOVING PARTS IF YOU ADJUST THE PRAM/STROLLER. OTHERWISE THEY MAY BE INJURED.

TO AVOID SERIOUS INJURY FROM FALLING OR SLIDING OUT, ALWAYS USE THE HARNESS CORRECTLY.

USE THIS TETHER STRAP TO STOP THE PRAM/STROLLER ROLLING AWAY.

DO NOT USE THIS BASSINET ONCE THE CHILD CAN SIT UP UNAIDED.

DO NOT USE FOR UNSUPERVISED SLEEPING.

Ensure that all the locking devices are engaged before use.

Do not let your child play with this product.

Never leave the harness buckled when not fitted to a child in the stroller because the harness can form loops which may pose a strangulation hazard.

The use of accessories not approved by the vehicle manufacturer is unsafe.

Adult assembly required.

Use of this stroller with a child weighing more than 22.7 kg will cause excessive wear, and stress on the stroller, and could create an unstable condition. Use the pram/stroller with only one child at a time.

To prevent a hazardous, unstable condition, do not place more than 4.5 kg in the storage basket before use.

To prevent a hazardous, unstable condition, do not place more than 0.45 kg in the storage pocket on the back of the seat.

Overloading, folding incorrectly, or using component parts from other manufacturers may cause the pram/stroller to be damaged, broken or unsafe. Please read the instruction manual carefully.

Please read all the instructions in the manual before using the product. Please save instruction manual for future use. Failure to follow these warnings and instructions may result in serious injury or death.

Safety belts and restraint system must be used correctly.

Child may slip into leg openings and be strangled if the harness is not used.

Never use pram/stroller on stairs or escalators.

The pram/stroller is not to be used near an open fire or exposed flame.

Never allow your child to stand on the pram/stroller or sit in the pram/stroller with head toward front of pram/stroller.

Never place the pram/stroller on roads or dangerous area.

The vehicle is designed for use on flat or gently sloping surfaces and may be unstable on higher sloping and uneven surfaces, resulting in the possibility of the vehicle tipping over.

Do make sure all parts are assembled and fastened properly before using the pram/stroller.

To avoid strangulation, do not place items with a string around your child's neck, suspend strings from this product, or attach strings to toys.

To prevent tipping, do not put anything on the handle. Always lift the child in and out of the pram/stroller.

Do not lift pram/stroller while child is in pram/stroller.

Do not use storage basket as a child carrier.

To prevent tipping, never let child climb the pram/stroller.

To avoid finger entrapment or injury to the body, use care when folding and unfolding the pram/stroller.

Be sure the pram/stroller is fully open or folded before allowing child near the pram/stroller.

Check that the infant child restraint attachment device is correctly engaged before use.

To avoid strangulation, do make sure your child is clear from the canopy.

Discontinue using your pram/stroller if it is damaged or broken.

Pram/stroller to be used only at walking speed. This product is not intended for use while jogging.

To avoid suffocation, remove plastic bag and packaging materials before using this product. The plastic bag and packaging materials should then be kept away from babies and children.

This product is not suitable for running or skating.

Stroller designed to be used from birth shall recommend the use of the most reclined position for new born babies.

The parking device must be engaged when placing and removing children.

Please ensure that the storage latch has been properly locked, before lifting or moving the vehicle.

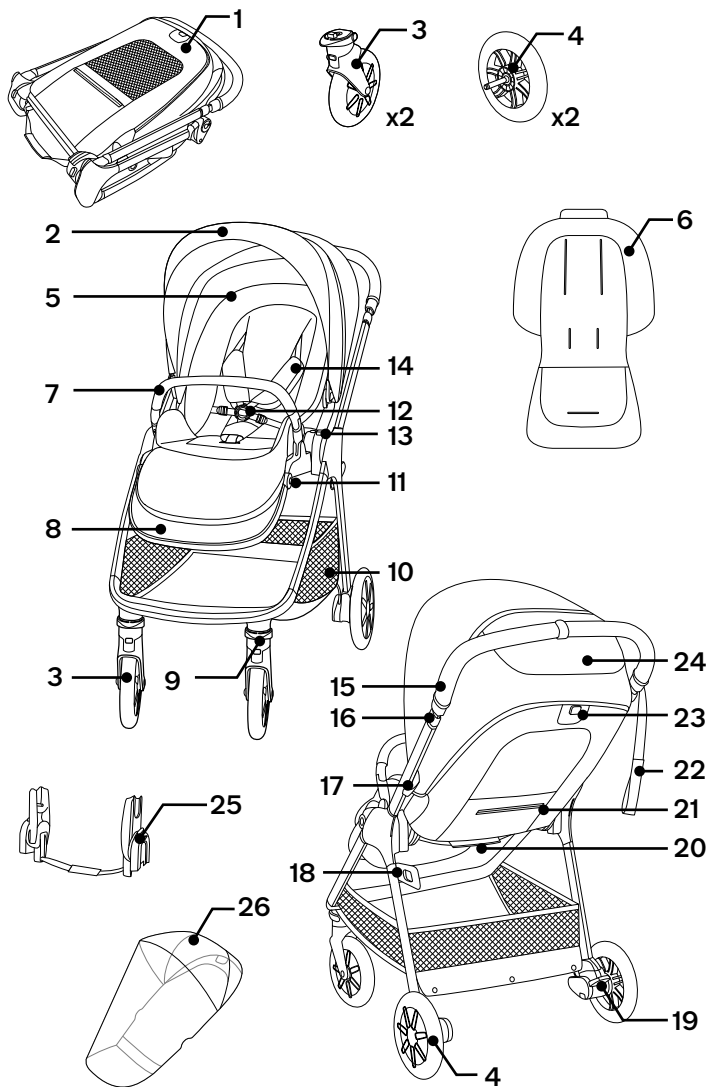
The vehicle is not to be used as an unsupervised sleeping environment.

The brakes must always be applied when the pram/stroller is not moving.

Parts List

Make sure all parts are available before assembly.
If any part is missing, please contact Nuna. No tools are required for assembly.

- | | |
|-----------------------------------|--|
| 1 Stroller Frame | 16 Handle Adjustment Button |
| 2 Canopy | 17 Storage Mount |
| 3 Front Wheel (x2) | 18 Storage Latch |
| 4 Rear Wheel (x2) | 19 Brake Lever |
| 5 Seat Pad | 20 Carry/Fold Strap |
| 6 Insert | 21 Storage Pocket (maximum load = 0.45kg) |
| 7 Arm Bar | 22 Tether Strap |
| 8 Calf Support | 23 Recline Adjustment Lever/Folding Release Button |
| 9 Swivel Lock | 24 Canopy Window |
| 10 Storage Basket | 25 Post Adaptors |
| 11 Calf Support Adjustment Button | 26 Rain Cover |
| 12 Buckle | |
| 13 Seat Release Button | |
| 14 Shoulder Harness Pad | |
| 15 Handle | |



Product Set up

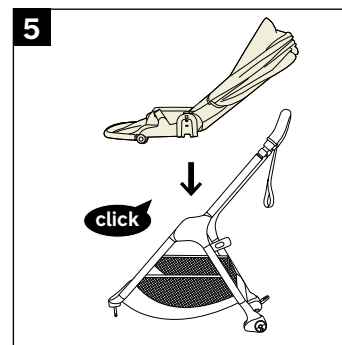
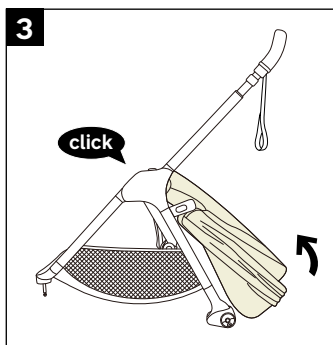
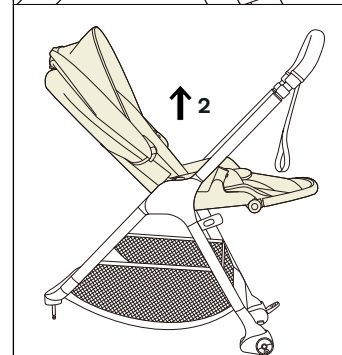
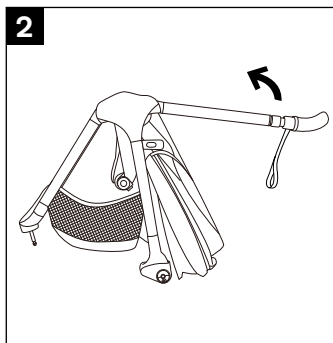
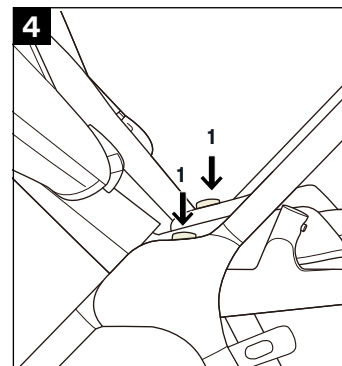
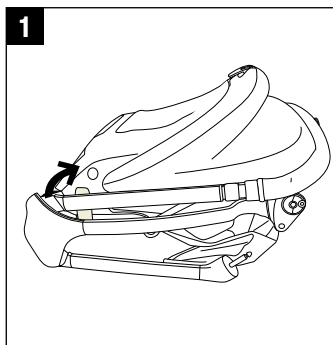
Open Stroller

- 1 - Take the stroller frame out and then open the storage latch.
- 2 - Rotate the handle up to open the stroller frame.
- 3 - Pull the seat to open it.
 - ! A “click” sound means the seat is open.
 - ! Check that the stroller is completely latched open before continuing.

Switch Seat

Please switch seat if you needed.

- 4 - Press the seat release buttons (1) and lift the seat up (2).
- 5 - Reverse the seat, and then attach it to the frame.
 - ! A “click” sound means the seat is attached completely.



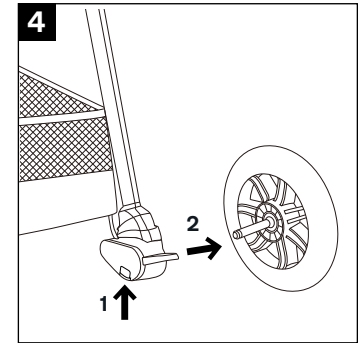
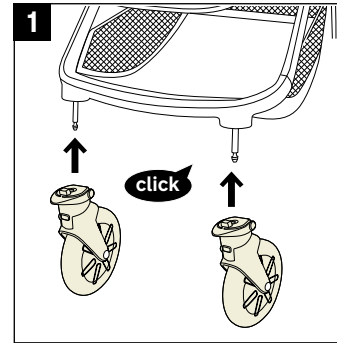
Front Wheels

1 - Insert the front wheel into the front leg.

! A “click” sound means the front wheel is assembled completely.

! Check the wheel is securely attached by pulling out. Repeat on opposite side.

2 - To remove the front wheel, press the release button **(1)** and detach the front wheel from the front leg **(2)**.



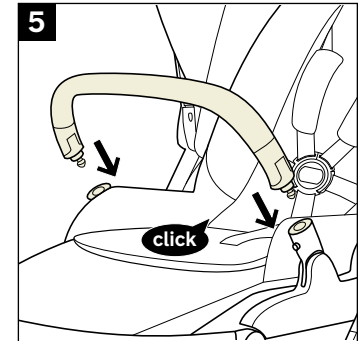
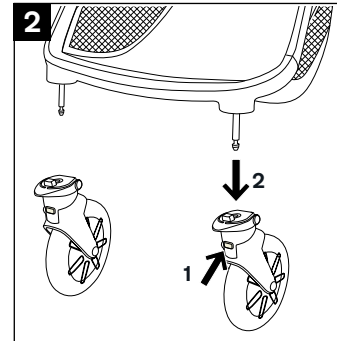
Rear Wheels

3 - Insert the rear wheel into the rear leg.

! A “click” sound means the rear wheel is assembled completely.

! Check the wheel is securely attached by pulling out. Repeat on opposite side.

4 - To remove the rear wheel, press the release button **(1)** and detach the rear wheel from the rear leg **(2)**.



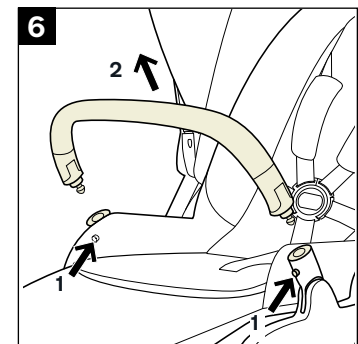
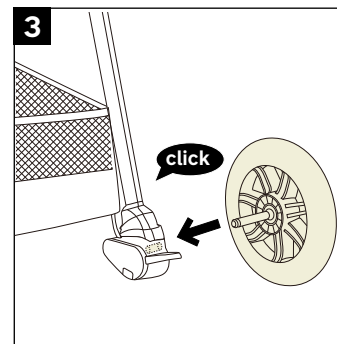
Arm Bar

! Always secure the child with the harness. The arm bar is not a restraint device.

5 - Align the arm bar ends with the arm bar mounts, and insert until it clicks into place.

! A “click” sound means the arm bar is assembled completely.

6 - To remove the arm bar, press the arm bar release buttons **(1)** and remove the arm bar **(2)**.



Check Set Up

- Stroller frame is latched open
- Stroller seat securely attached
- Rear and front wheels securely attached
- Arm bar securely attached

Product Use

Securing Your Child

- 1 - Push the center button on the buckle to release the buckle clasps, remove the clips and place your child in the stroller.
- 2 - Connect the shoulder clasp and waist clasp.
- 3 - Secure the shoulder clasp and waist clasp to the buckle and repeat on the opposite side.
- 4 - Fit the harness snugly to your child by pulling the adjustment straps to tighten (1). Then pull the waist adjustment straps out (2).

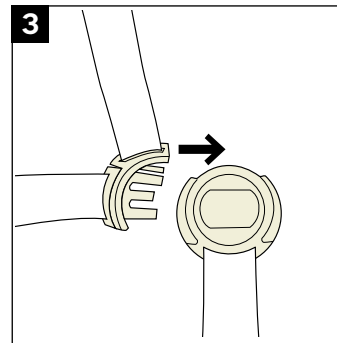
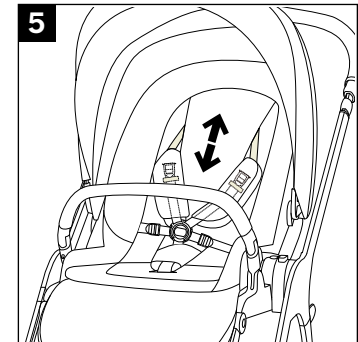
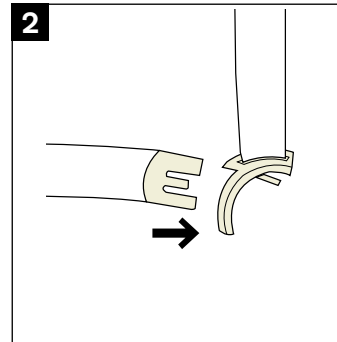
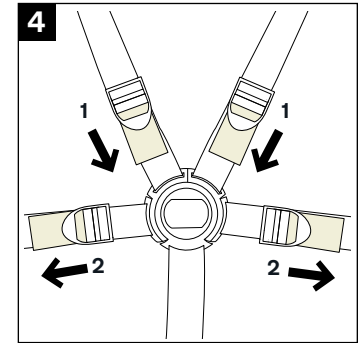
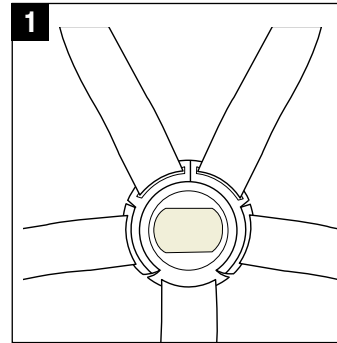
Shoulder Harness Position

- 5 - The upper shoulder harness adjuster buckles can be moved up and down for added adjustment.

! To avoid serious injury from falling or sliding out, always secure your child with the harness.

Make sure the harness is adjusted properly and your child is snugly secured. The space between the child and the shoulder harness should be about the thickness of one finger.

DO NOT cross the shoulder belts. This will cause pressure on child's neck.



Canopy

- 1 - To open the canopy, pull the canopy toward the front of the seat, and to fold, push it back.
- 2 - Open the zipper on the canopy for extra shade.
- 3 - For added ventilation, flip the canopy window cover up.
! **DO NOT** remove the canopy when stroller is in use.
! Keep the zipper between the canopy and seat pad closed when stroller is in use.

Recline

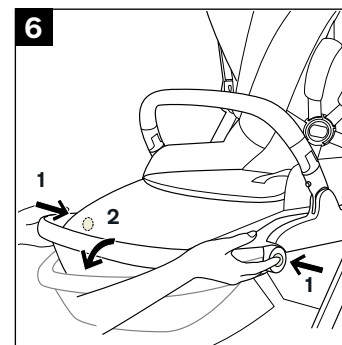
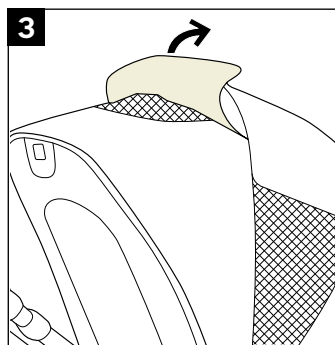
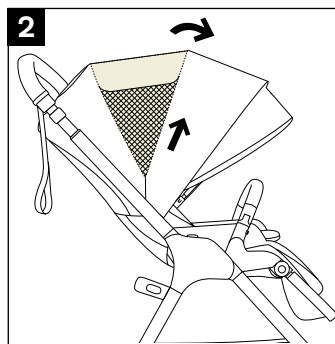
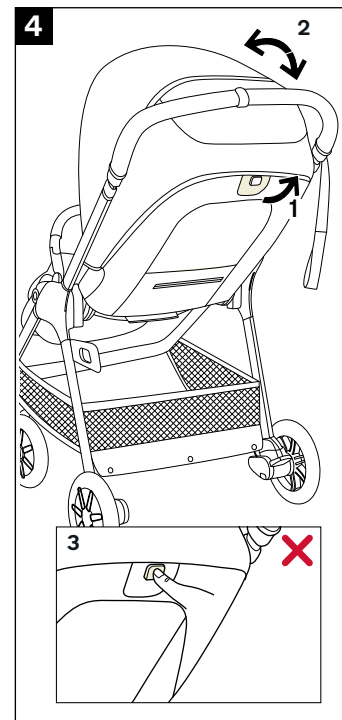
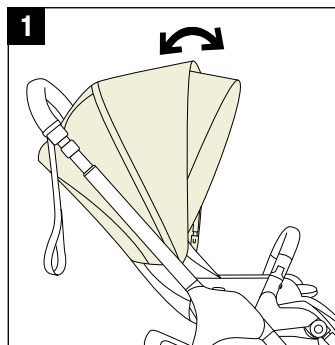
There are 3 recline positions for the backrest.

- 4 - To raise or lower the backrest, squeeze the recline adjustment lever (1), and pull the backrest up or down (2).
! Please do not press the button (3) on the middle of the recline adjustment lever when adjusting the angle for the recline.
! Make sure the recline is adjusted properly for use.

Calf Support

The calf support has 2 use positions.

- 5 - To raise the calf support, lift up.
To lower the calf support, press the adjustment button (1), and push down (2).



Handle

The handle has 5 positions.

- 1 - To adjust the height of the handle, pull the handle adjustment button (1) and pull the handle up or down (2).

Tether Strap

- 2 - Use the tether strap to prevent the stroller inadvertently rolling away. Check that when your hand is through the loop, it allows you to easily control the stroller.

Brake

- 3 - To lock the rear wheels, step down on the brake lever.

- 4 - To unlock the rear wheels, step down the brake lever again.

! Always apply the brake when the pram/stroller is stopped. Push the pram/stroller slightly to ensure the brake is engaged.

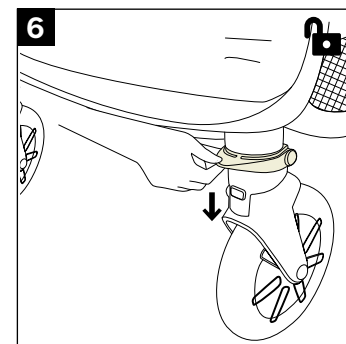
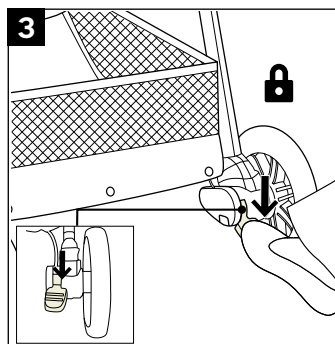
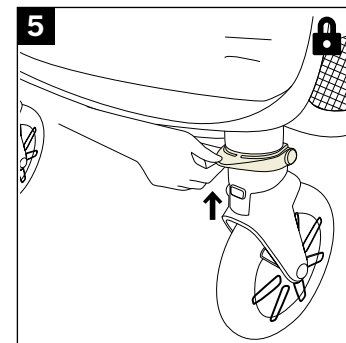
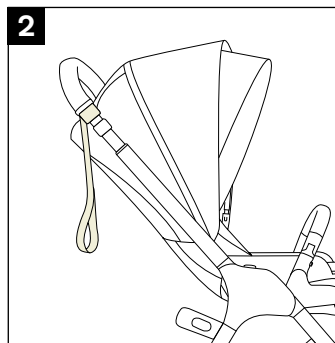
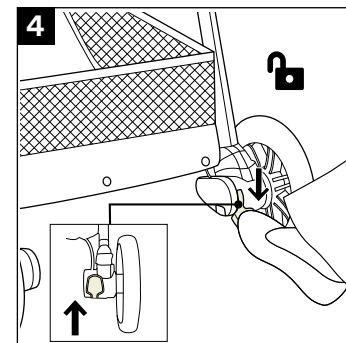
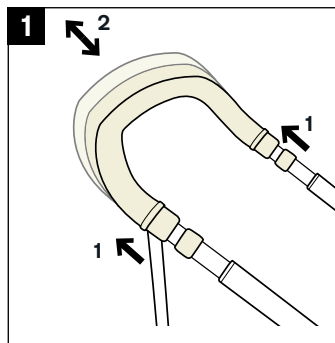
Front Swivel Locks

In Use Position:

It is recommended to use the front swivel locks on uneven surfaces.

- 5 - Pull the front swivel lock up to lock the front wheel.

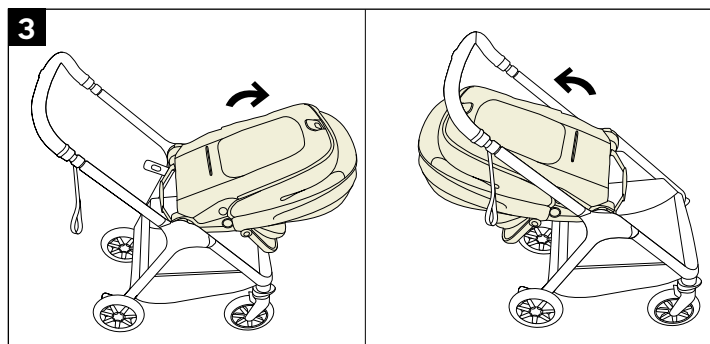
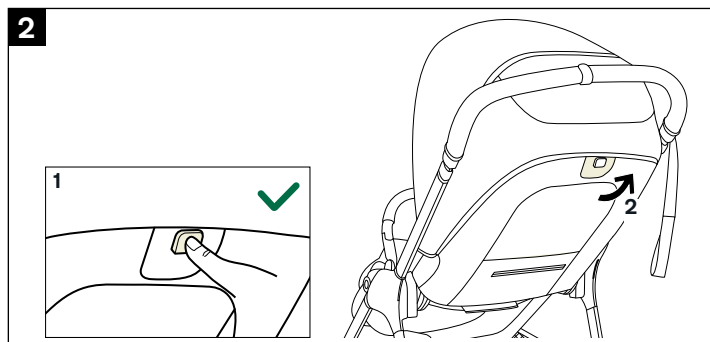
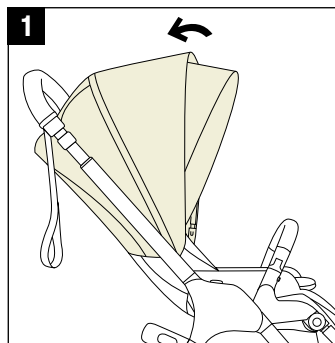
- 6 - Push the front swivel lock down to unlock.



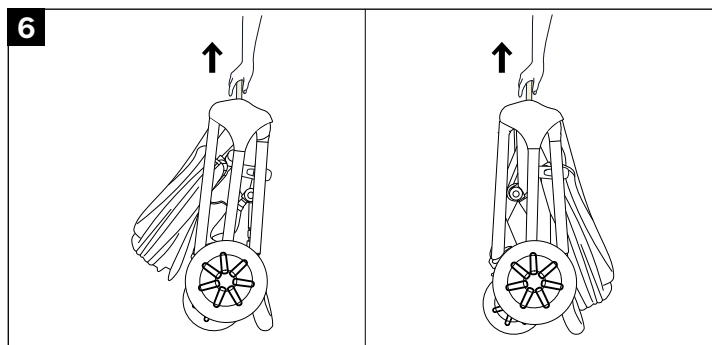
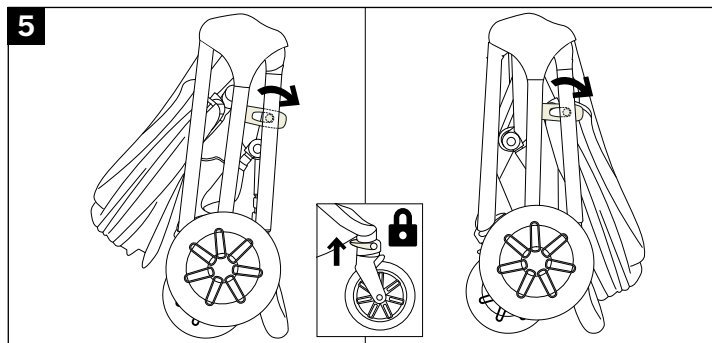
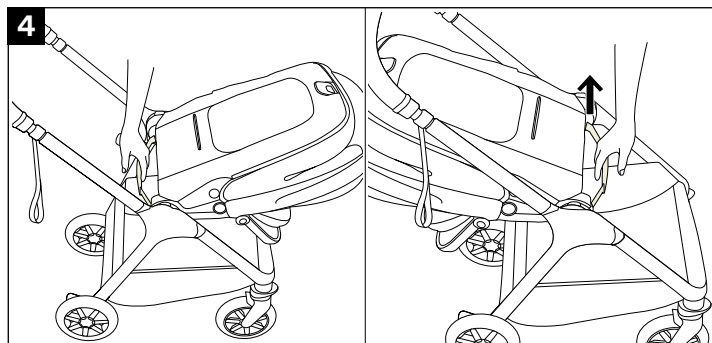
Fold with SEAT

The stroller can be folded with forward facing seat or rear facing seat or without the seat. Before folding the stroller, adjust the handle to the lowest position and the front swivel locks are locked.

- 1 - Fold the canopy.
- 2 - Press the folding release button (1) on the middle of the recline adjustment button and then squeeze the recline adjustment lever (2).
- 3 - Fold the seat.



- 4 - Pull the carry/fold strap of the seat to fold the stroller.
- 5 - Rotate the storage latch. Secure the storage latch to the storage mount. The stroller can stand by having front swivel wheels locked.
- 6 - You can carry the stroller by lifting its carry/fold strap.



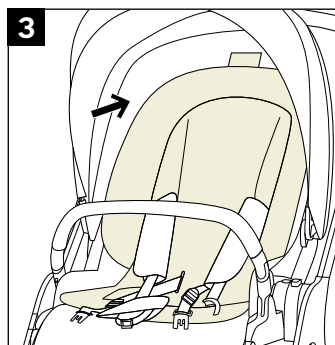
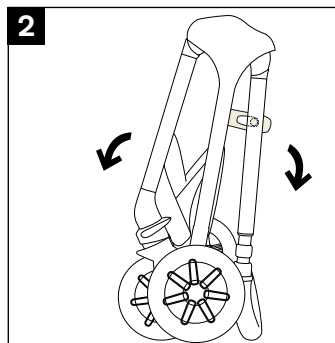
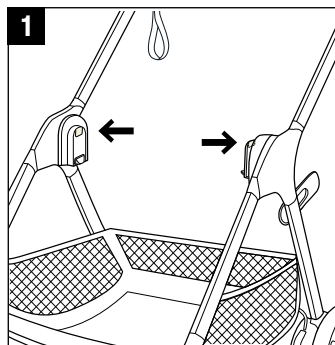
Fold without seat

- 1 - Press the folding buttons of the seat mounts.
 - 2 - Fold the stroller and secure the storage latch to the storage mount.
- ! The stroller without seat can stand by handle and the front wheels.

Accessories

Insert

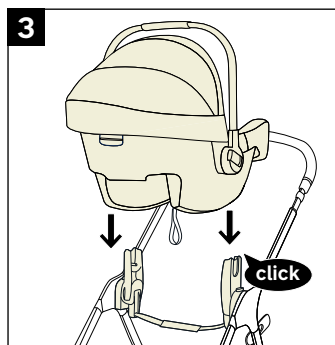
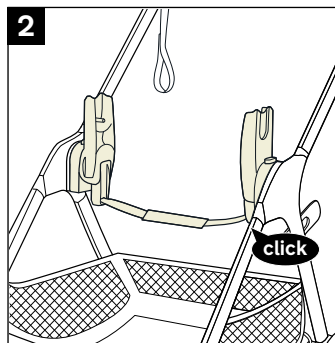
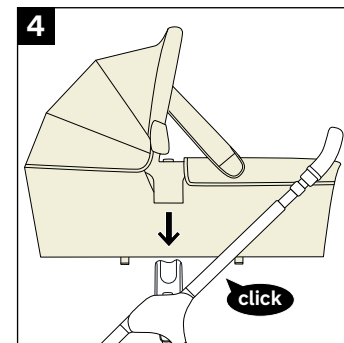
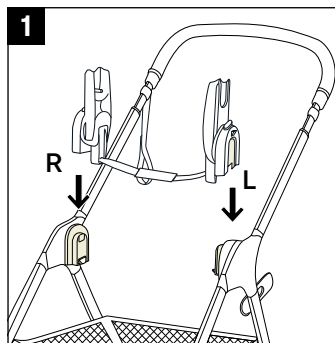
- 3 - To assemble the insert, place the insert over the seat and thread the shoulder, waist and crotch harnesses through their respective slots.
- ! Not all accessories are included on some models.



Post Adaptors

For TRIV or LYTL bassinet and KLIK plus infant carrier assembly and usage, please refer to the infant carrier and bassinet instruction manual.

- 1 - To attach the post adaptors, place the post adaptors on the seat mount.
- 2 - A “click” sound means the post adaptors are attached.
- 3 - To attach infant carrier, place the infant carrier on the post adaptors. A “click” sound means the infant carrier is attached.
- 4 - To attach bassinet, place the bassinet on the post adaptors. A “click” sound means the bassinet is attached.



1 - To remove the infant carrier, push the release buttons on the infant carrier (1) and lift up (2).

2 - To remove bassinet, press the release buttons on the side of the bassinet (1) and lift up (2).

3 - To remove the post adaptors, pull the adaptor release buttons (1) and lift up (2).

! Remove the infant carrier and bassinet before folding.

Fold the Stroller with Post Adaptors

Before folding the stroller with post adaptors, adjust the handle to the lowest position and suggest the front swivel locks are locked.

4 - Pull the carry/fold strap of the post adaptors to fold the stroller.

! The stroller with the post adaptors can stand by handle and the front wheels.

TRIV Series Rain Cover

Check that the canopy is completely open before attaching the rain cover.

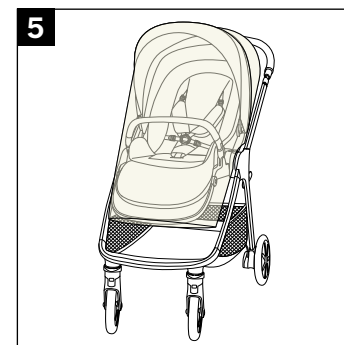
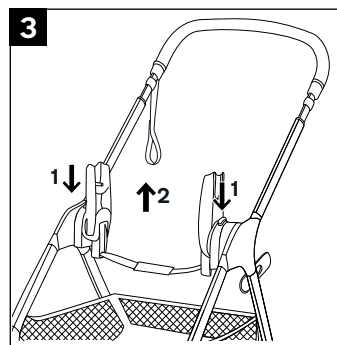
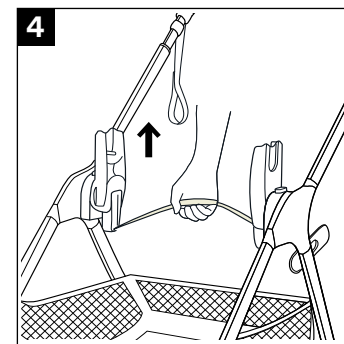
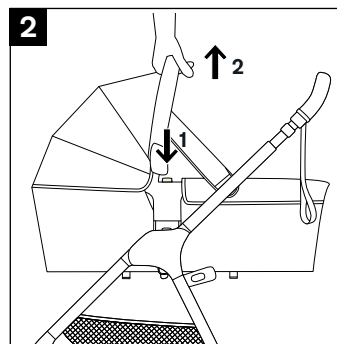
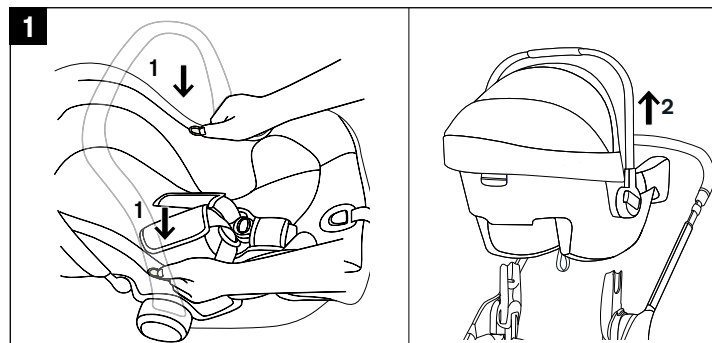
5 - To assemble the rain cover, place it over the stroller.

! **ALWAYS** check ventilation when the rain cover is on the product.

! **ALWAYS** check that the rain cover has been cleaned and dried before folding.

! **DO NOT** fold the stroller when the rain cover is attached.

! **DO NOT** place your child in the stroller in hot weather with the rain cover attached.



Care and Maintenance

Clean the frame, plastic parts, and fabric with a damp cloth, but do not use abrasives or bleach. Do not use silicon lubricants as they will attract dirt and grime. Do not store your stroller in a damp place.

Clean the stroller wheels regularly with water and remove any dirt.

To ensure long-lasting use:

- clear out debris, sand, hair, solids, etc from frame joints and wheels.

- wipe this product dry with a soft absorbent cloth after using it in rainy weather or from any spills.

Refer to the care label attached to the fabric for washing and drying instructions.

It is normal for fabric to color from sunlight and to show wear and tear after a long period of use, even when used normally.

For reasons of safety, only use original Nuna parts.

Check regularly if everything functions properly. If any parts are torn, broken, or missing, stop using this product.