

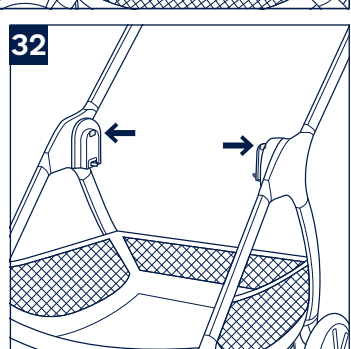
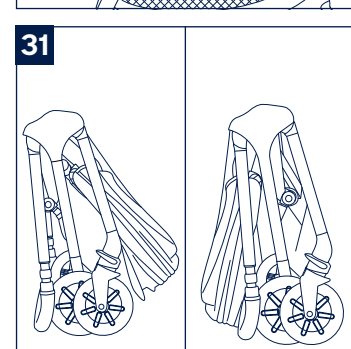
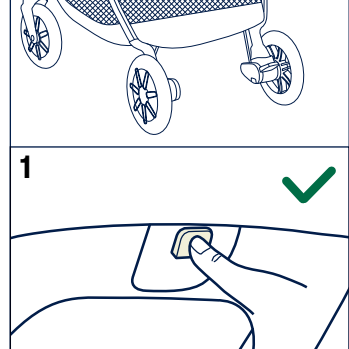
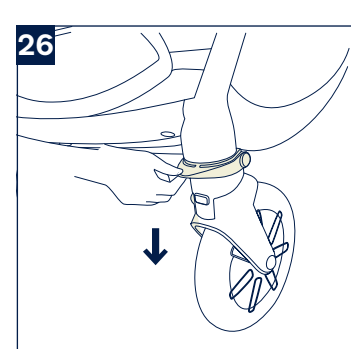
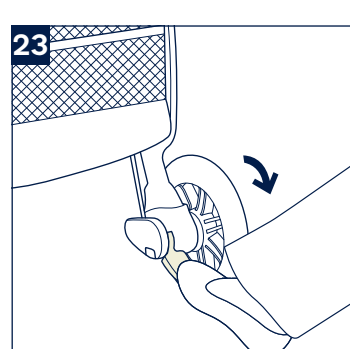
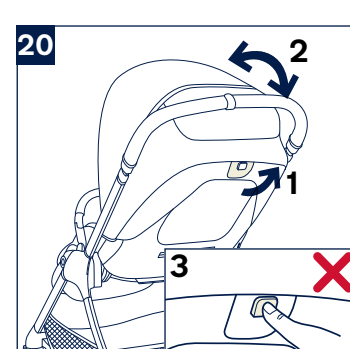
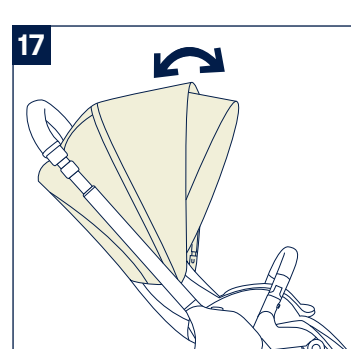
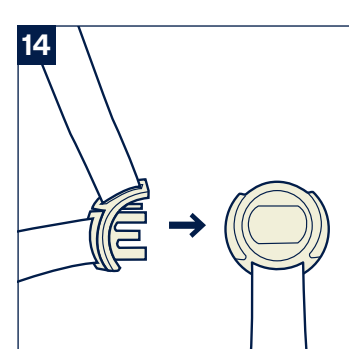
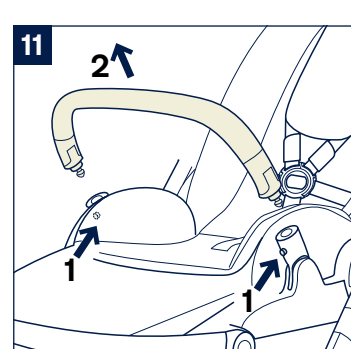
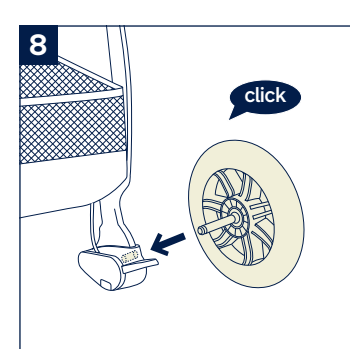
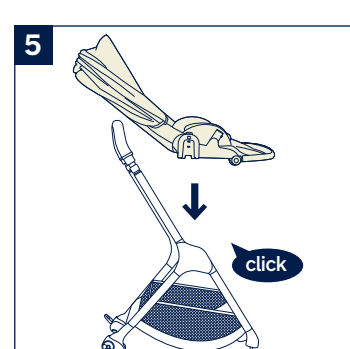
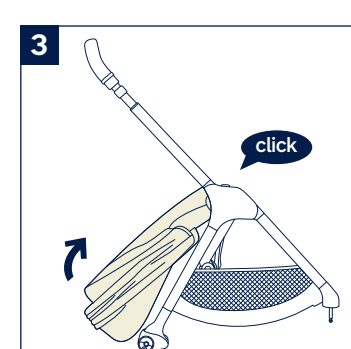
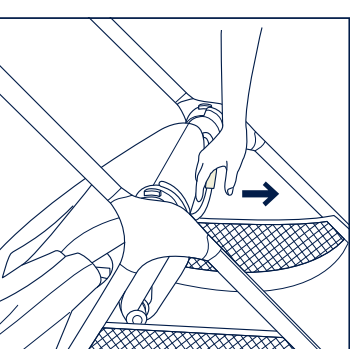
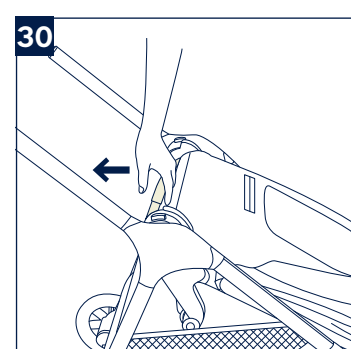
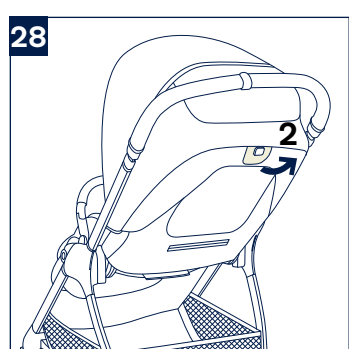
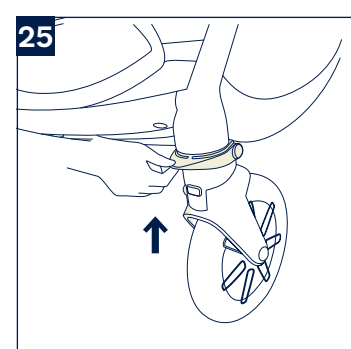
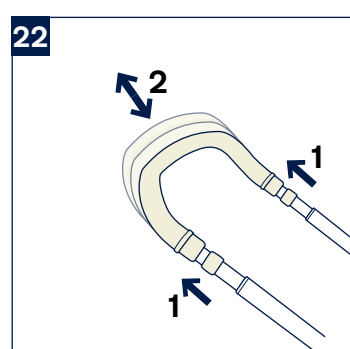
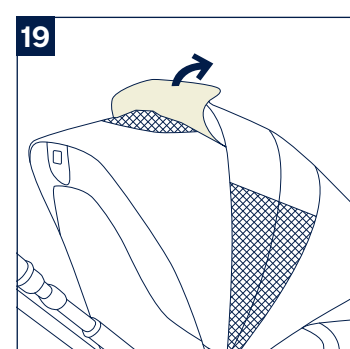
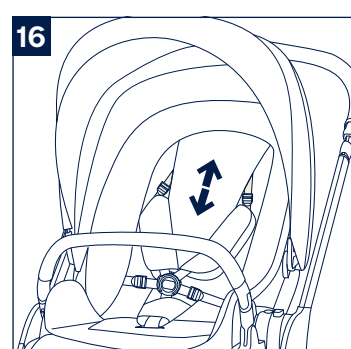
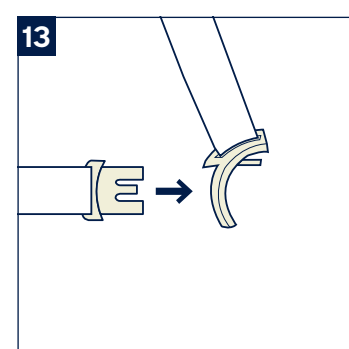
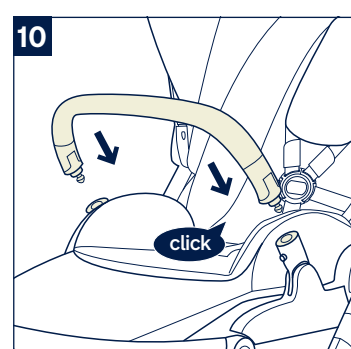
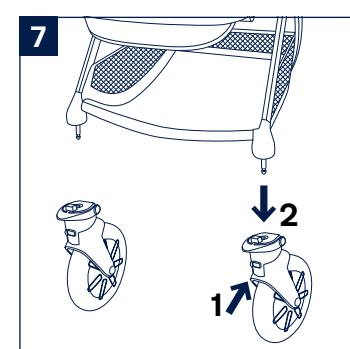
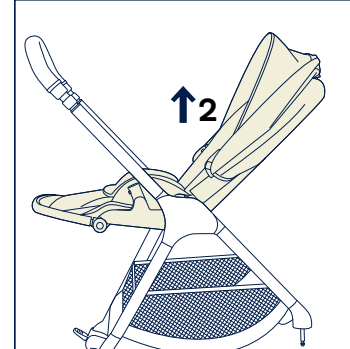
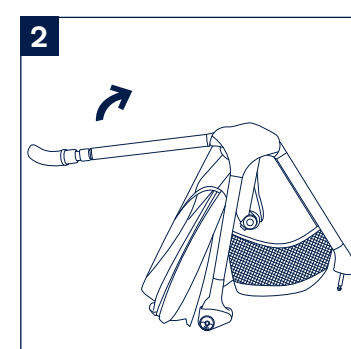
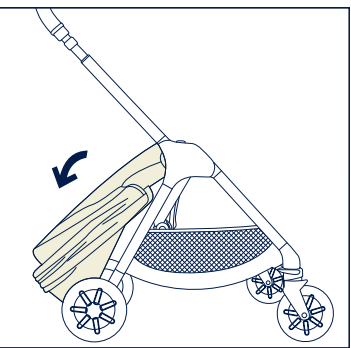
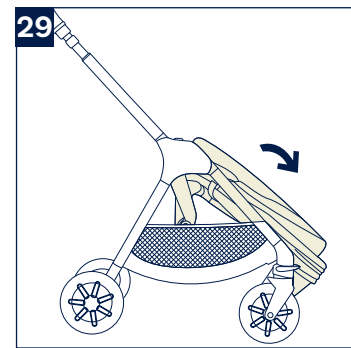
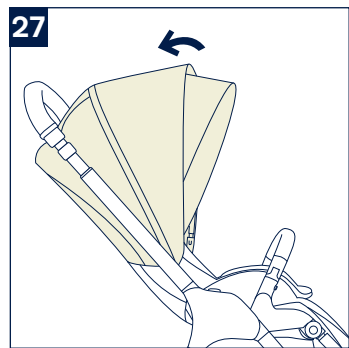
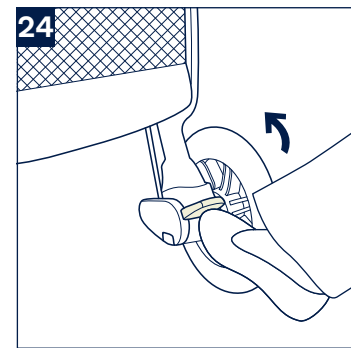
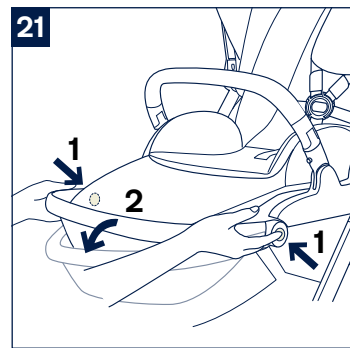
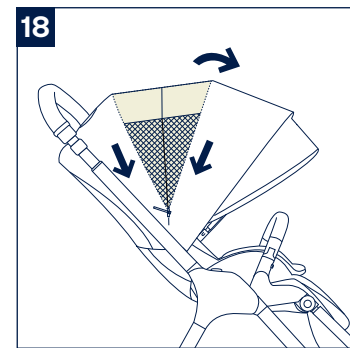
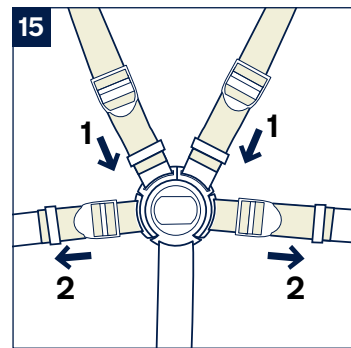
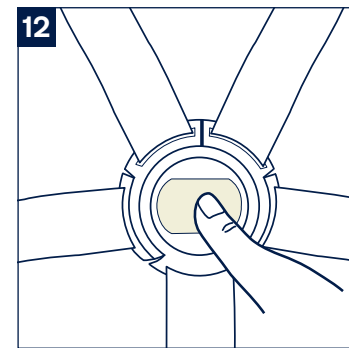
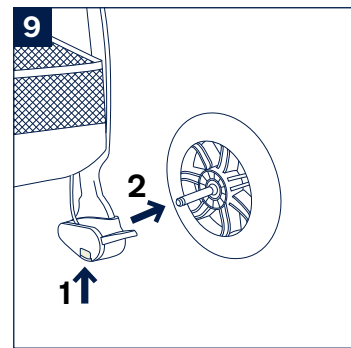
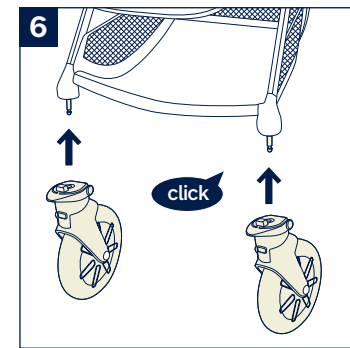
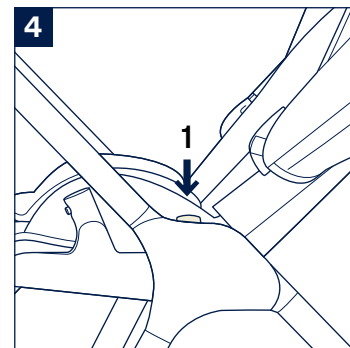
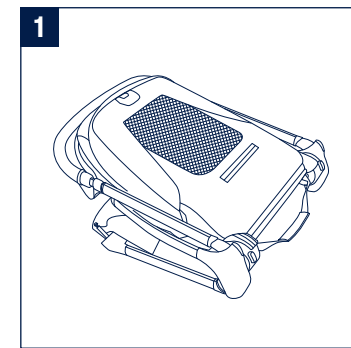
trivTM

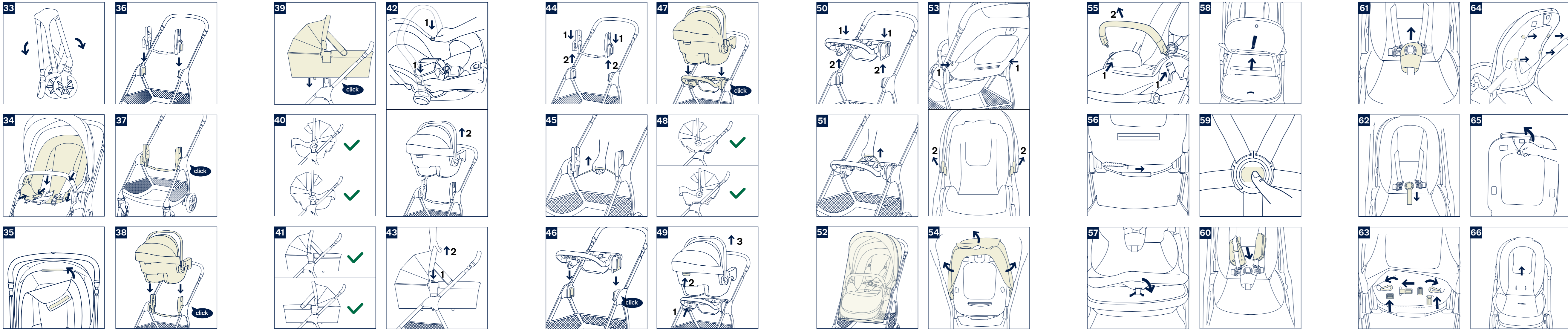


nuna[®]

Designed
around your life

nuna®





**IMPORTANT!
READ CAREFULLY
AND KEEP FOR
FUTURE REFERENCE**

Contents	
Product Information	3
Product Registration	3
Warranty	3
Contact	3
Child Usage Requirements	4
Warnings	5
Parts List	9
Product Set Up	11
Product Use	13
Accessories	16
Detach & Assemble Soft Goods	18
Cleaning and Maintenance	19
Français (FR)	21
Deutsch (DE)	43
Nederlands (NL)	63
Italiano (IT)	83
Español (ES)	103
Português (PT)	123
Polski (PL)	143
Česky (CZ)	163
Slovenčina (SK)	185
Hrvatski (HR)	203
Slovenščina (SL)	223
Русский (RU)	243
Svenska (SV)	265
Suomi (FI)	285
Română (RO)	305
Ελληνικά (EL)	325
Türkçe (TR)	345
عربي (AR)	385
日本語 (JP)	385
简中	403

Product Information

Model Number: _____

Manufactured Date: _____

Product Registration

Please fill in the above information. The model number and the manufactured date are located on a label on the stroller frame.

To register your product please visit:

www.nunababy.com

Click the “Register Gear” link on the homepage.

Warranty

We have purposely designed our high-quality products so that they can grow with both your child and your family. Because we stand by our product, our gear is covered by a custom warranty per product, starting from the day it was purchased. Please have the proof of purchase, model number and manufactured date available when you contact us.

For warranty information please visit:

www.nunababy.com

Click the “Warranty” link on the homepage.

Contact

For replacement parts, service, or additional warranty questions, please contact our customer service department.

info@nunababy.com

www.nunababy.com

In the United Kingdom:

infouk@nunababy.com

www.nunababy.com

NUNA International B.V.

Van der Valk Boumanweg 178 C

2352JD Leiderdorp

The Netherlands

Child Usage Requirements

This stroller seat is suitable for use with children who meet the following requirements:

Birth to 22 kg or 4 years whichever comes first

When using the stroller frame with carry cot or Nuna infant carriers, refer to the child usage requirements listed in those instruction manuals.

⚠️ WARNING

Failure to follow these warnings and instructions could result in serious injury or death.

Always use the restraint system.

Check that the pram body or seat unit or car seat attachment devices are correctly engaged before use.

Do not let the child play with this product.

Ensure that all the locking devices are engaged before use.

Never leave the child unattended.

This product is not suitable for running or skating.

To avoid injury ensure that the child is kept away when unfolding and folding this product.

Accessories which are not approved by the manufacturer shall not be used. Only replacement parts supplied or recommended by the manufacturer/distributor shall be used.

Adult assembly required.

ALWAYS set the parking brake when you stop.

Any damage caused by the use of accessories not supplied by Nuna will not be covered in terms of warranty.

Any load attached to the handle and/or on the back of the backrest and/or on the sides of the vehicle will affect the stability of the vehicle.

Be certain the stroller is fully erected and latched before allowing your child near the stroller.

DO NOT carry additional children, goods, accessories in or on the stroller except as permitted in this manual. They may cause the stroller to become unstable.

DO NOT leave the stroller exposed in the vicinity of a strong source of heat i.e. a radiator or open fire.

DO NOT place any item on the canopy.

DO NOT store the stroller in a damp place. Always allow the fabric to dry naturally away from direct heat.

DO NOT use storage basket as a child carrier.

DO NOT use the stroller if any parts are damaged or missing.

For car seats used in conjunction with a chassis, this vehicle does not replace a cot or a bed. Should your child need to sleep, then it should be placed in a suitable pram body, cot or bed.

It is not suggested to use insert B alone.

Keep small parts away from children as they pose a choking hazard.

Negotiate curbs and rough ground carefully. Repeated impact could cause damage to the stroller.

NEVER allow children to stand on the stroller.

NEVER carry more than one child at a time in the stroller.

NEVER use the stroller on stairs or escalators. You may suddenly lose control of the stroller or your child may fall out.

The harness must always be correctly fitted and adjusted. The harness is not a substitute for proper adult supervision.

The parking break shall be engaged when placing and removing children.

Overloading, incorrect folding, and the use of accessories e.g. child seats, bag hooks, rain covers, buggy boards, etc... other than those approved by Nuna may damage or make the stroller unsafe.

Rubber tires may leave black scuff marks on smooth surfaces such as parquet, laminate and linoleum.

STRANGULATION HAZARD Do not place items with a string around your child's neck, suspend strings from this product, or attach strings to toys.

To avoid any danger of suffocation, remove all plastic covers before using this item and destroy or keep away from babies and children!

To prevent a hazardous, unstable condition, do not place more than 4.5 kg in the storage basket and more than 0.45 kg in the storage pocket.

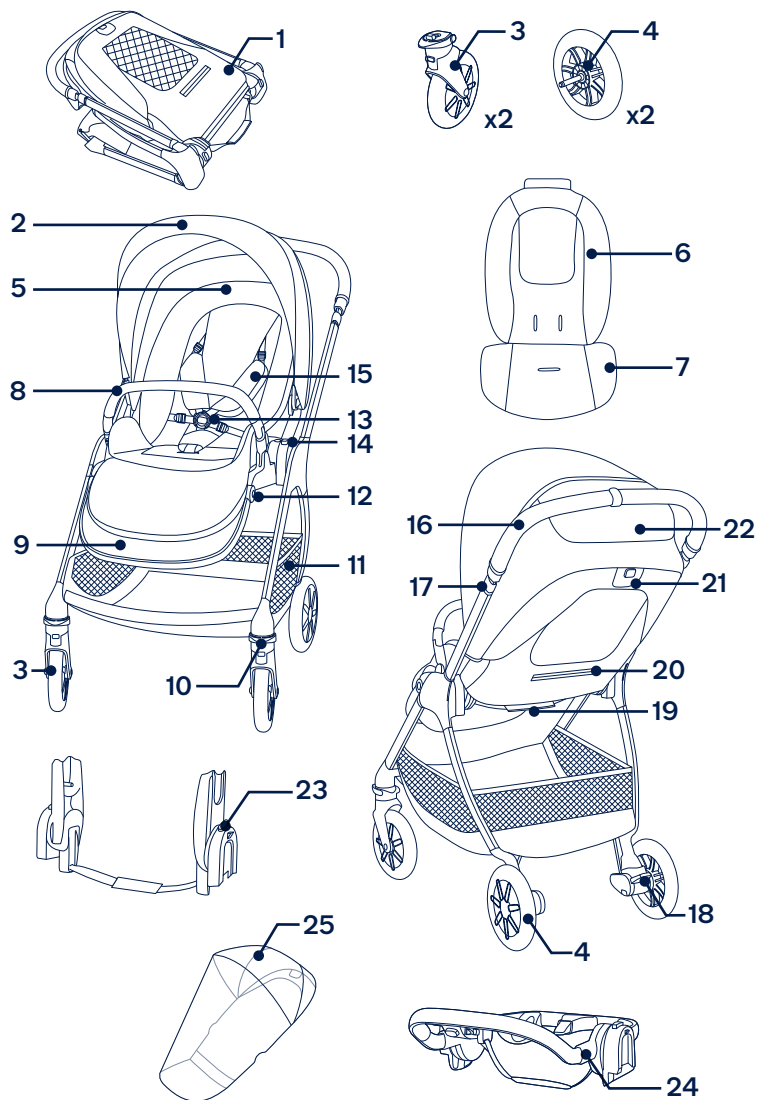
USE the most reclined position for new born babies.

Use the pushchair with a child weighing no more than 22 kg. It will cause damage to the pushchair with an unfitted child.

Parts List

Make sure all parts are available before assembly.
If any part is missing, please contact local retailer. No tools are required for assembly.

- | | |
|---|---|
| 1 Stroller Frame | 14 Seat Release Button |
| 2 Canopy | 15 Shoulder Harness Pad |
| 3 Front Wheel (x2) | 16 Handle |
| 4 Rear Wheel (x2) | 17 Handle Adjustment Button |
| 5 Seat Pad | 18 Brake Lever |
| 6 Insert A | 19 Folding Webbing |
| 7 Insert B (not suggested to use alone) | 20 Storage Pocket (maximum load = 0.45 kg) |
| 8 Arm Bar | 21 Recline Adjustment Button/Folding Release Button |
| 9 Calf Support | 22 Canopy Window |
| 10 Swivel Lock | 23 Post Adapters |
| 11 Storage Basket | 24 Car Seat Ring Adapter |
| 12 Calf Support Adjustment Button | 25 Rain Cover |
| 13 Buckle | |



Product Set Up

Open Stroller

- 1** - Take the stroller frame out. **(1)**
- 2** - Rotate the handle up to open the stroller frame. **(2)**
- 3** - Pull the seat to open it. **(3)**
 - A “click” sound means the seat is open.
 - Check that the stroller is completely latched open before continuing.

Switch Seat

Please switch seat if you needed.

- 1** - Press the seat release button **(4)-1** and lift the seat up **(4)-2**.
- 2** - Reverse the seat, and then attach it to the frame. **(5)**
 - A “click” sound means the seat is attached completely.

Front Wheels

- 1** - Insert the front wheel into the front leg. **(6)**
 - A “click” sound means the front wheel is assembled completely.
 - Check the wheel is securely attached by pulling out. Repeat on opposite side.
- 2** - To remove the front wheel, press the release button **(7)-1** and detach the front wheel from the front leg **(7)-2**.

Rear Wheels

- 1** - Insert the rear wheel into the rear leg. **(8)**
 - A “click” sound means the rear wheel is assembled completely.
 - Check the wheel is securely attached by pulling out. Repeat on opposite side.
- 2** - To remove the rear wheel, press the release button **(9)-1** and detach the rear wheel from the rear leg **(9)-2**.

Arm Bar

- !** Always secure the child with the harness. The arm bar is not a restraint device.
- 1** - Align the arm bar ends with the arm bar mounts, and insert until it clicks into place. **(10)**
 - A “click” sound means the arm bar is assembled completely.
 - 2** - To remove the arm bar, press the arm bar release buttons **(11)-1** and remove the arm bar **(11)-2**.

Check Set Up

- Stroller frame is latched open
- Stroller seat securely attached
- Rear and front wheels securely attached
- Arm bar securely attached

Product Use

Securing Your Child

- 1 - Push the center button on the buckle to release the buckle latch, remove the clips and place your child in the stroller. (12)
- 2 - Connect the shoulder buckle and hip buckle. (13)
- 3 - Secure the shoulder buckle and hip buckle to the buckle latch and repeat on the opposite side. (14)
- 4 - Fit the harness snugly to your child by pulling the adjustment straps to tighten (15)-1. Then pull the waist adjustment straps out (15)-2.

Shoulder Harness Position

- 1 - The upper shoulder harness buckles can be moved up and down for added adjustment. (16)
- ! To avoid serious injury from falling or sliding out, always secure your child with the harness.

Make sure the harness is adjusted properly and your child is snugly secured. The space between the child and the shoulder harness should be about the thickness of one finger.

DO NOT cross the shoulder belts. This will cause pressure on child's neck.

Canopy

- 1 - To open the canopy, pull the canopy toward the front of the seat, and to fold, push it back. (17)
- 2 - Open the zipper on the canopy for extra shade. (18)
- 3 - For added ventilation, flip the canopy window cover up. (19)

Recline

There are 4 recline positions for the backrest.

- 1 - To raise or lower the backrest, squeeze the recline adjustment button (20)-1, and pull the backrest up or down (20)-2.
- ! Please do not press the button (20)-3 on the middle of the recline adjustment button when adjusting the angle for the recline.
Make sure the recline is adjusted properly for use.

Calf Support

The calf support has 2 use positions.

- 1 - To raise the calf support, lift up.
- 2 - To lower the calf support, press the adjustment button (21)-1, and push down (21)-2.

Handle

The handle has 5 positions.

- 1 - To adjust the height of the handle, pull the handle adjustment button (22)-1 and pull the handle up or down (22)-2.

Brake

- 1 - To lock the rear wheels, step down on the brake lever. (23)
 - 2 - To unlock the rear wheels, lift up on the brake lever. (24)
- ! Always apply the brake when the stroller is stopped. Push the stroller slightly to ensure the brake is engaged.

Front Swivel Locks

It is recommended to use the front swivel locks on uneven surfaces.

- 1** - Pull the front swivel lock up to lock the front wheel. **(25)**
- 2** - Push the front swivel lock down to unlock. **(26)**

Fold

The stroller can be folded with forward facing seat or rear facing seat or without the seat. Before folding the stroller, adjust the handle to the lowest position and make sure the front swivel locks are unlocked.

- 1** - Fold the canopy. **(27)**
 - 2** - Press the folding release button **(28)**-1 on the middle of the recline adjustment button and then squeeze the recline adjustment button **(28)**-2.
 - 3** - Fold the seat. **(29)**
 - 4** - Pull the folding webbing of the seat to fold the stroller. **(30)**
 - 5** - The stroller with forward facing seat can stand by wheels, and with rear facing seat can stand by handle and the rear wheels. **(31)**
 - 6** - Press the folding buttons of the seat mounts. **(32)**
 - 7** - Fold the stroller. **(33)**
- !** The stroller without seat can stand by handle and the rear wheels.

Insert

- 1** - To assemble the insert, place the insert over the seat and thread the shoulder, waist and crotch harnesses through their respective slots. **(34)**
- 2** - Attach the hook and loop fasteners. **(35)**

Accessories

! Not all accessories are included on some models.

Post Adaptors

For Nuna infant carrier and TRIV carry cot assembly and usage, please refer to the infant carrier and carry cot instruction manual.

- 1** - To attach the post adaptors, place the post adaptors on the seat mounts. A “click” sound means the post adaptors are attached. **(36)(37)**
 - 2** - To attach infant carrier, place the infant carrier on the post adaptors. A “click” sound means the infant carrier is attached. **(38)**
 - 3** - To attach carry cot, place the carry cot on the post adaptors. A “click” sound means the carry cot is attached. **(39)**
 - 4** - The infant carrier can be attached rear or forward facing on the post adapter. **(40)**
 - 5** - The carry cot can be attached rear or forward facing on the post adaptors. **(41)**
 - 6** - To remove the infant carrier, push the release buttons on the infant carrier **(42)**-1 and lift up **(42)**-2.
 - 7** - To remove carry cot, press the release buttons on the side of the carry cot **(43)**-1 and lift up **(43)**-2.
 - 8** - To remove the post adaptors, pull the adapter release buttons **(44)**-1 and lift up **(44)**-2.
- !** Remove the infant carrier and carry cot before folding.

Fold the Stroller with Post Adapters

Before folding the stroller with post adapters, adjust the handle to the lowest position and make sure the front swivel locks are unlocked.

- 1 - Pull the folding webbing of the post adapters to fold the stroller. (45)

! The stroller with the post adapters can stand by handle and the rear wheels.

Car Seat Ring Adapter

For Nuna infant carrier assembly and usage, please refer to the infant carrier instruction manual.

- 1 - To attach the car seat ring adapter, place the car seat ring adapter on the seat mount. (46) A “click” sound means the car seat ring adapter is locked.
 - 2 - To attach the infant carrier, place the infant carrier on the car seat ring adapter. A “click” sound means the infant carrier is attached. (47)
 - 3 - The infant carrier and the car seat ring adapter can be attached rear or forward facing. (48)
 - 4 - To remove the infant carrier, release the second safety lock for adapter (49)-1, then push the release button located on the back of the infant carrier (49)-2 and lift up (49)-3.
 - 5 - To remove the car seat ring adapter, push the adapter release buttons (50)-1 and lift up (50)-2.
- ! Remove the infant carrier before folding.

Fold the stroller with Car Seat ring adapter

Before folding the stroller with car seat ring adapter, adjust the handle to the lowest position and make sure the front swivel locks are unlocked.

- 1 - Pull the folding webbing of the car seat ring adapter to fold the stroller. (51)

! The stroller with the car seat ring adapter can stand by handle and the rear wheels.

TRIV Rain Cover

Check that the canopy is completely open before attaching the rain cover.

- 1 - To assemble the rain cover, place it over the pushchair. (52)

! **ALWAYS** check ventilation when the rain cover is on the product.

ALWAYS check that the rain cover has been cleaned and dried before folding.

DO NOT fold the pushchair when the rain cover is attached.

DO NOT place your child in the pushchair in hot weather with the rain cover attached.

Detach & Assemble Soft Goods

To detach seat soft goods, follow the steps (53) - (66) as shown, and to re-assemble seat soft goods, follow the steps above in reverse.

Cleaning and Maintenance

Clean the frame, plastic parts, and fabric with a damp cloth, but do not use abrasives or bleach. Do not use silicon lubricants as they will attract dirt and grime. Do not store your stroller in a damp place.

Clean the stroller wheels regularly with water and remove any dirt.

To ensure long-lasting use, wipe the stroller off with a soft, absorbent cloth after using it in rainy weather.

Refer to the care label attached to the soft goods for washing and drying instructions.

It is normal for fabric to color from sunlight and to show wear and tear after a long period of use, even when used normally.

For reasons of safety, only use original Nuna parts.

Check regularly if everything functions properly. If any parts are torn, broken, or missing, stop using this product.

**IMPORTANT –
A LIRE ATTENTIVEMENT
ET À CONSERVER POUR
RÉFÉRENCE ULTÉRIEURE**

Sommaire

Informations sur le produit	23
Enregistrement du produit	
Garantie	
Contact	
Exigences d'utilisation avec un enfant	24
Avertissement	25
Liste des pièces	29
Configuration du produit	31
Utilisation du produit	33
Accessoires	37
Détacher et assembler les pièces souples	40
Nettoyage et maintenance	41

FR Informations sur le produit

Numéro de modèle : _____

Date de fabrication : _____

Enregistrement du produit

Veillez indiquer les informations ci-dessus. Le numéro de modèle et la date de fabrication se situent sur une étiquette sur le cadre de la poussette.

Pour enregistrer votre produit, veuillez vous rendre sur le site suivant :

www.nunababy.com

Cliquez sur le lien « Enregistrer un équipement » dans la page d'accueil

Garantie

Nous avons conçu spécialement nos produits de haute qualité afin qu'ils puissent accompagner le développement de votre enfant et de votre famille. Nous soutenons notre produit en couvrant notre matériel par une garantie personnalisée, commençant le jour de son achat. Veuillez disposer de la preuve d'achat, du numéro de modèle et de la date de fabrication lorsque vous nous contactez.

Pour des informations sur la garantie, veuillez visiter :

www.nunababy.com

Cliquez sur le lien « Garantie » dans la page d'accueil

Contact

Pour des demandes de pièces de rechange, de service ou des questions supplémentaires sur la garantie, veuillez contacter notre service client

info@nunababy.com

www.nunababy.com

FR Exigences d'utilisation avec un enfant

Ce siège de poussette est adapté aux enfants répondant aux exigences suivantes :

De la naissance jusqu'à 22 kg ou 4 ans à la première des deux limites atteintes

En cas d'utilisation du cadre de la poussette avec une nacelle ou un siège bébé Nuna, consultez les exigences d'utilisation indiquées dans les modes d'emploi correspondants.

AVERTISSEMENT

Ne pas suivre ces avertissements et instructions peut conduire à de sérieuses blessures ou la mort.

Toujours utiliser le système de retenue.

Vérifier que les dispositifs de fixation de la nacelle, du siège ou du siège-auto sont correctement enclenchés avant utilisation.

Ne pas laisser votre enfant jouer avec ce produit.

S'assurer que tous les dispositifs de verrouillage sont enclenchés avant utilisation.

Ne jamais laisser l'enfant sans surveillance.

Ce produit ne convient pas pour faire du jogging ou des promenades en rollers.

Pour éviter toute blessure, maintenir votre enfant à l'écart lors du dépliage et du pliage du produit.

Les accessoires non homologués par le fabricant ne doivent pas être utilisés. Seules les pièces de rechange fournies ou conseillées par le fabricant/distributeur doivent être utilisées.

L'assemblage du produit doit être effectué par un adulte.

Enclenchez **TOUJOURS** le frein de stationnement lorsque vous vous arrêtez.

Tout dommage causé par l'utilisation d'accessoires non fournis par Nuna ne seront pas couverts en termes de garantie.

Les charges attachées à la poignée et/ou au dos du dossier et/ou sur les côtés du dispositif affectent la stabilité du dispositif.

Assurez-vous que la poussette est complètement dépliée et verrouillée avant de laisser votre enfant à proximité de la poussette.

NE TRANSPORTEZ PAS d'enfants, de biens ou d'accessoires supplémentaires dans ou sur la poussette, à l'exception des autorisations de ce manuel. Ils pourraient rendre la poussette instable.

NE LAISSEZ PAS la poussette exposée à proximité d'une source de chaleur comme un radiateur ou un feu ouvert.

NE PLACEZ PAS d'objets sur la voilure.

NE CONSERVEZ PAS la poussette dans un endroit humide. Laissez toujours sécher naturellement le tissu à l'écart des sources directes de chaleur.

N'UTILISEZ PAS le panier de rangement comme un porte-bébé.

N'UTILISEZ PAS la poussette si des pièces sont endommagées ou manquantes.

Pour les sièges auto utilisés avec un châssis, ce dispositif ne remplace pas un berceau ou un lit. Si votre enfant a besoin de dormir, il doit être placé dans un landau, un berceau ou un lit approprié.

Il n'est pas conseillé d'utiliser l'insert B seul.

Gardez les petites pièces à l'écart des enfants car elles présentent des risques d'étouffement.

Négociez les virages et les terrains délicats avec prudence. Les chocs répétés peuvent endommager la poussette.

NE LAISSEZ JAMAIS des enfants se tenir sur la poussette.

NE TRANSPORTEZ JAMAIS plus d'un enfant à la fois dans cette poussette.

N'UTILISEZ JAMAIS la poussette dans des escaliers ou des escaliers mécaniques. Vous risquez de perdre soudainement le contrôle de la poussette ou votre enfant risque de tomber.

Le harnais doit toujours être correctement adapté et ajusté. Le harnais ne se substitue pas à la surveillance correcte d'un adulte.

Le frein de stationnement doit être enclenché lorsque vous placez ou retirez l'enfant.

Une surcharge, un pliage incorrect et l'utilisation d'accessoires tels que des sièges enfants, des crochets pour sacs, des housses de pluie, des marche-pieds, etc. autres que ceux approuvés par Nuna peuvent endommager ou compromettre la sécurité de la poussette.

Les pneus en caoutchouc peuvent laisser des marques d'éraflures noires sur les surfaces lisses telles que le parquet, les sols stratifiés et le linoléum.

RISQUE D'ÉTRANGLEMENT Ne placez pas d'objets avec une ficelle autour du cou de votre enfant, ne suspendez aucune ficelle à ce produit et n'attachez aucune ficelle aux jouets.

Pour éviter tout risque de suffocation, retirez toutes les protections en plastique avant d'utiliser ce produit et détruisez-les ou conservez-les hors de portée des bébés et des enfants !

Pour éviter une condition instable et dangereuse, ne placez pas plus de 4,5 kg dans le panier de rangement et pas plus de 0,45 kg dans la poche de rangement.

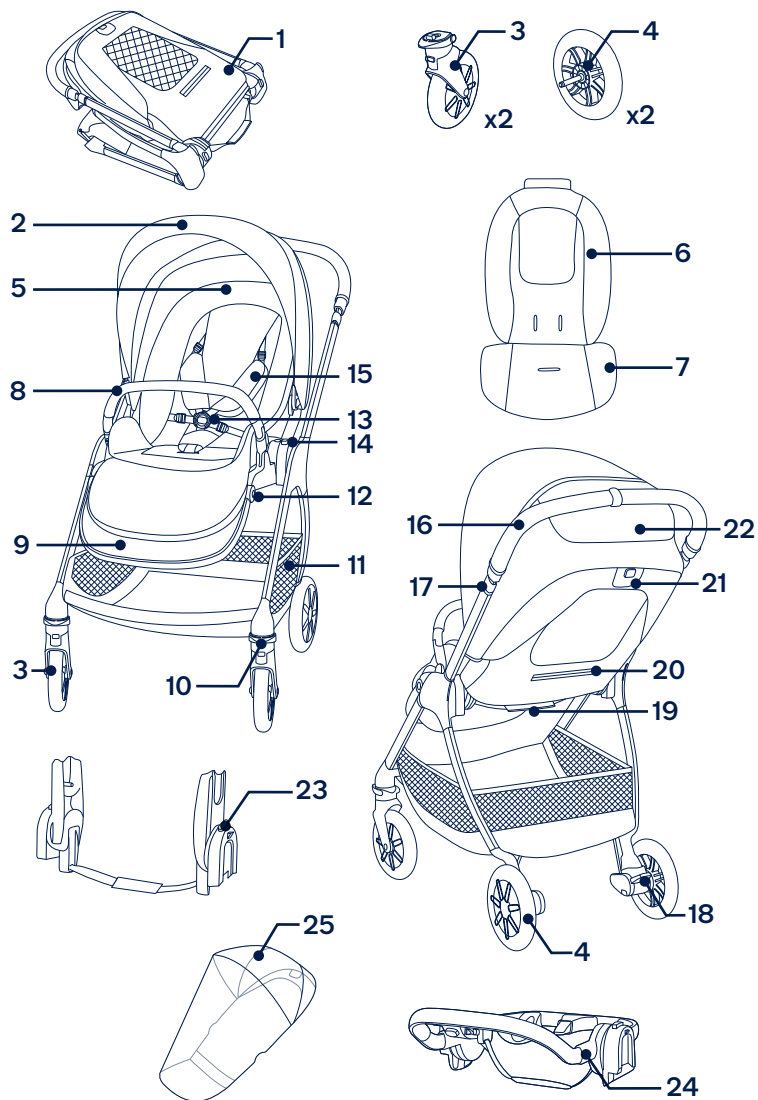
UTILISEZ la position la plus inclinée pour les nouveaux-nés.

Utilisez la poussette avec un enfant pesant moins de 22 kg. Cela endommagera la poussette avec un enfant non installé.

Liste des pièces

Assurez-vous que toutes les pièces sont présentes avant le montage. Si une pièce est manquante, contactez votre revendeur local. Le montage ne nécessite aucun outil.

- | | |
|--|--|
| 1 Cadre de poussette | 15 Rembourrage du harnais d'épaules |
| 2 Voilure | 16 Poignée |
| 3 Roue avant (x2) | 17 Bouton de réglage de la poignée |
| 4 Roue arrière (x2) | 18 Levier de frein |
| 5 Assise de siège | 19 Sangle de pliage |
| 6 Insert A | 20 Poche de rangement (charge maximale = 0,45 kg) |
| 7 Insert B (utilisation seul déconseillée) | 21 Bouton de réglage de l'inclinaison/Bouton de déverrouillage du pliage |
| 8 Barre de sécurité | 22 Fenêtre de la voilure |
| 9 Repose-mollets | 23 Adaptateurs des éléments de support |
| 10 Verrouillage de pivotement | 24 Adaptateur circulaire pour siège auto |
| 11 Panier de rangement | 25 Housse de pluie |
| 12 Levier de réglage du repose-mollets | |
| 13 Boucle | |
| 14 Bouton de déverrouillage du siège | |



FR Configuration du produit

Ouverture de la poussette

- 1 - Retirez le cadre de la poussette. (1)
- 2 - Tournez la poignée vers le haut pour ouvrir le cadre de la poussette. (2)
- 3 - Tirez le siège pour l'ouvrir. (3)
Vous entendrez un « clic » signifiant que le siège est ouvert.
Vérifiez que la poussette est complètement désenclenchée avant de poursuivre.

Basculement du siège

Veillez basculer le siège si nécessaire.

- 1 - Appuyez sur le bouton de déverrouillage du siège (4)-1 et soulevez le siège (4)-2.
- 2 - Retournez le siège, puis fixez-le au cadre. (5)
Vous entendrez un « clic » signifiant que le siège est complètement fixé.

Roues avant

- 1 - Insérez la roue avant dans le piètement avant. (6)
Vous entendrez un « clic » signifiant que la roue avant est complètement assemblée.
Vérifiez que la roue est correctement fixée en tirant dessus.
Répétez la manipulation sur le côté opposé.
- 2 - Pour enlever la roue avant, appuyez sur le bouton de déverrouillage (7)-1 et détachez la roue avant du piètement avant (7)-2.

Roues arrière

- 1 - Insérez la roue arrière dans le piètement arrière. (8)
Vous entendrez un « clic » signifiant que la roue arrière est complètement assemblée.
Vérifiez que la roue est correctement fixée en tirant dessus.
Répétez la manipulation sur le côté opposé.
- 2 - Pour enlever la roue arrière, appuyez sur le bouton de déverrouillage (9)-1 et détachez la roue arrière du piètement arrière (9)-2.

Barre de sécurité

- ! Attachez toujours l'enfant avec le harnais. La barre de sécurité n'est pas un dispositif de retenue.
- 1 - Aligned les extrémités de la barre de sécurité avec les montants de la barre de sécurité et insérez-la jusqu'à ce qu'elle s'enclenche en place. (10)
Vous entendrez un « clic » signifiant que la barre de sécurité est complètement assemblée.
 - 2 - Pour enlever la barre de sécurité, appuyez sur les boutons de déverrouillage de la barre de sécurité (11)-1 et enlevez la barre de sécurité (11)-2.

Vérification du montage

- Le cadre de la poussette est verrouillé ouvert
- Siège de la poussette solidement fixé
- Roues arrière et avant solidement fixées
- Barre de sécurité solidement fixée

Utilisation du produit

Installation de votre enfant

- 1 - Appuyez sur le bouton central de la boucle pour déverrouiller le loquet de la boucle, enlevez les attaches et placez votre enfant dans la poussette. **(12)**
- 2 - Raccordez la boucle d'épaules et la boucle de hanches. **(13)**
- 3 - Fixez la boucle d'épaules et la boucle de hanches sur le loquet de la boucle et répétez la manipulation sur le côté opposé. **(14)**
- 4 - Ajustez bien le harnais sur votre enfant en tirant sur les sangles d'ajustement pour le serrer **(15)-1**. Puis tirez les sangles de réglage au niveau de la taille **(15)-2**.

Position du harnais d'épaules

- 1 - Les boucles supérieures du harnais d'épaules peuvent être remontées et abaissées pour un réglage supplémentaire. **(16)**
- !** Attachez toujours votre enfant avec le harnais pour éviter que l'enfant ne se blesse en tombant ou en glissant du siège.

Assurez-vous que le harnais est correctement ajusté et que votre enfant est bien attaché. L'espace entre l'enfant et le harnais d'épaules doit faire environ l'épaisseur d'un doigt.

NE CROISEZ PAS les ceintures d'épaules. Ceci appliquerait une pression sur le cou de l'enfant.

Voilure

- 1 - Pour ouvrir la voilure, tirez la voilure vers l'avant du siège. Pour la plier, repoussez-la. **(17)**
- 2 - Ouvrez la fermeture éclair sur la voilure pour obtenir davantage d'ombre. **(18)**
- 3 - For added ventilation, flip the canopy window cover up. **(19)**

Position

Il existe 4 positions d'inclinaison pour le dossier.

- 1 - Pour relever ou abaisser le dossier, appuyez sur le bouton de réglage de l'inclinaison **(20)-1** et tirez le dossier vers le haut ou le bas **(20)-2**.
- !** Veuillez ne pas appuyer sur le bouton **(20)-3** au milieu du bouton de réglage de l'inclinaison lors du réglage de l'angle de l'inclinaison.
L'inclinaison doit être ajustée correctement avant utilisation.

Repose-mollets

Le repose-mollets comprend 2 positions d'utilisation.

- 1 - Pour remonter le repose-mollets, soulevez.
- 2 - Pour abaisser le repose-mollets, appuyez sur le bouton de réglage **(21)-1**, puis poussez vers le bas **(21)-2**.

Poignée

La poignée dispose de 5 positions.

- 1 - Pour régler la hauteur de la poignée, tirez le bouton de réglage de la poignée **(22)-1** et tirez la poignée vers le haut ou le bas **(22)-2**.

Frein

- 1 - Pour verrouiller les roues arrière, appuyez sur le levier de frein. **(23)**
 - 2 - Pour déverrouiller les roues arrière, relevez le levier de frein. **(24)**
- ! Enclenchez toujours le frein lorsque la poussette est arrêtée. Poussez légèrement la poussette pour vous assurer que le frein est enclenché.

Verrouillages de pivotement avant

Il est recommandé d'utiliser les verrous de pivotement avant sur les surfaces irrégulières.

- 1 - Tirez le verrouillage de pivotement avant vers le haut pour verrouiller la roue avant. **(25)**
- 2 - Poussez le verrouillage de pivotement avant vers le bas pour le déverrouiller. **(26)**

Pliage

La poussette peut être pliée avec le siège orienté face à la route, le siège orienté dos à la route ou sans le siège. Avant de plier la poussette, ajustez la poignée à la position la plus basse et assurez-vous que les verrouillages de pivotement avant sont déverrouillés.

- 1 - Pliez la voileure. **(27)**
 - 2 - Appuyez sur le bouton de déverrouillage du pliage **(28)-1** au milieu du bouton de réglage de l'inclinaison puis appuyez sur le bouton de réglage de l'inclinaison **(28)-2**.
 - 3 - Pliez le siège. **(29)**
 - 4 - Tirez la sangle de pliage du siège pour plier la poussette. **(30)**
 - 5 - La poussette avec le siège orienté face à la route peut tenir sur ses roues. Avec le siège orienté dos à la route, elle peut tenir sur sa poignée et ses roues arrière. **(31)**
 - 6 - Appuyez sur les boutons de pliage des montants du siège. **(32)**
 - 7 - Pliez la poussette. **(33)**
- ! La poussette sans siège peut tenir sur sa poignée et ses roues arrière.

Insert

- 1 - Pour assembler l'insert, placez l'insert sur le siège et enfitez les harnais d'épaules, ventral et d'entrejambe dans leurs fentes respectives. **(34)**
- 2 - Attachez les fermetures velcro. **(35)**

Accessoires

! Les accessoires ne sont pas tous inclus selon le modèle.

Adaptateurs des éléments de support

Pour l'assemblage et l'utilisation du porte-bébé Nuna et de la nacelle TRIV, veuillez consulter le manuel d'instructions du porte-bébé et de la nacelle.

- 1 - Pour fixer les adaptateurs des éléments de support, placez les adaptateurs des éléments de support sur les montants de siège. Vous entendrez un « clic » signifiant que les adaptateurs des éléments de support sont fixés. **(36)(37)**
- 2 - Pour fixer le porte-bébé, placez le porte-bébé sur les adaptateurs des éléments de support. Vous entendrez un « clic » signifiant que le porte-bébé est fixé. **(38)**
- 3 - Pour fixer la nacelle, placez la nacelle sur les adaptateurs des éléments de support. Vous entendrez un « clic » signifiant que la nacelle est fixée. **(39)**
- 4 - Le porte-bébé peut être fixé dos à la route ou face à la route sur l'adaptateur de l'élément de support. **(40)**
- 5 - La nacelle peut être fixée dos à la route ou face à la route sur les adaptateurs des éléments de support. **(41)**
- 6 - Pour retirer le porte-bébé, appuyez sur les boutons de déverrouillage sur le porte-bébé **(42)-1** et soulevez **(42)-2**.
- 7 - Pour retirer la nacelle, appuyez sur les boutons de déverrouillage sur le côté de la nacelle **(43)-1** et soulevez **(43)-2**.

- 8 - Pour enlever les adaptateurs des éléments de support, tirez sur les boutons de déverrouillage des adaptateurs **(44)-1** et soulevez **(44)-2**.

! Enlevez le porte-bébé et la nacelle avant de plier.

Plier la poussette avec les adaptateurs des éléments de support

Avant de plier la poussette avec les adaptateurs des éléments de support, ajustez la poignée à la position la plus basse et assurez-vous que les verrouillages de pivotement avant sont déverrouillés.

- 1 - Tirez la sangle de pliage des adaptateurs des éléments de support pour plier la poussette. **(45)**
- ! La poussette avec les adaptateurs des éléments de support peut tenir sur sa poignée et ses roues arrière.

Adaptateur circulaire pour siège auto

Pour l'assemblage et l'utilisation du porte-bébé Nuna, veuillez consulter le manuel d'instructions du porte-bébé.

- 1 - Pour fixer l'adaptateur circulaire pour siège auto, placez l'adaptateur circulaire pour siège auto sur le montant du siège. **(47)** Vous entendrez un « clic » signifiant que l'adaptateur circulaire pour siège auto est verrouillé.
- 2 - Pour fixer le porte-bébé, placez le porte-bébé sur l'adaptateur circulaire pour siège auto. Vous entendrez un « clic » signifiant que le porte-bébé est fixé. **(47)**
- 3 - Le porte-bébé et l'adaptateur circulaire pour siège auto peuvent être fixés orientés dos à la route ou face à la route. **(48)**

- 4 - Pour retirer le porte-bébé, déverrouillez le deuxième verrou de sécurité pour l'adaptateur **(49)-1**, puis appuyez sur le bouton de déverrouillage situé à l'arrière du porte-bébé **(49)-2** et soulevez **(49)-3**.
 - 5 - Pour enlever l'adaptateur circulaire pour siège auto, appuyez sur les boutons de déverrouillage de l'adaptateur **(50)-1** et soulevez **(50)-2**.
- ! Enlevez le porte-bébé avant de plier.

Plier la poussette avec l'adaptateur circulaire pour siège auto

Avant de plier la poussette avec l'adaptateur circulaire pour siège auto, ajustez la poignée à la position la plus basse et assurez-vous que les verrouillages de pivotement avant sont déverrouillés.

- 1 - Tirez la sangle de pliage de l'adaptateur circulaire pour siège auto pour plier la poussette. **(51)**
- ! La poussette avec l'adaptateur circulaire pour siège auto peut tenir sur sa poignée et ses roues arrière.

Housse de pluie TRIV

Vérifiez que la voilure est complètement ouverte avant d'attacher la housse de pluie.

- 1 - Pour assembler la housse de pluie, placez-la sur la poussette. **(52)**
- ! Vérifiez **TOUJOURS** la ventilation lorsque la housse de pluie est placée sur le produit.
- Vérifiez **TOUJOURS** que la housse de pluie a été nettoyée et séchée avant le pliage.

NE pliez **PAS** la poussette lorsque la housse de pluie est attachée.

NE placez **PAS** votre enfant dans la poussette par temps chaud avec la housse de pluie attachée.

Détacher et assembler les parties souples

Pour détacher les pièces souples du siège, suivez les étapes **(53)** - **(66)** comme indiqué. Pour réassembler les pièces souples du siège, suivez les étapes ci-dessus dans l'ordre inverse.

FR Nettoyage et maintenance

Nettoyez le cadre, les pièces en plastique et le tissu à l'aide d'un chiffon humide, mais n'utilisez pas de produits abrasifs ou d'eau de Javel. N'utilisez pas de lubrifiants à base de silicone car ils attirent la saleté et la crasse. Ne conservez pas votre poussette dans un endroit humide.

Nettoyez régulièrement les roues de la poussette avec de l'eau et retirez la saleté.

Pour garantir une longue durée d'utilisation, essuyez la poussette avec un chiffon doux et absorbant après l'avoir utilisée par temps pluvieux.

Consultez l'étiquette d'entretien attachée aux pièces souples pour obtenir les instructions de lavage et de séchage.

La coloration du tissu exposé au soleil est normale, tout comme les signes d'usure et de déchirement après une longue période d'utilisation, même normale.

Pour des raisons de sécurité, n'utilisez que les pièces Nuna d'origine.

Contrôlez régulièrement que tout fonctionne correctement. Si des pièces sont déchirées, cassées ou manquantes, arrêtez d'utiliser ce produit.

**WICHTIG!
SORGFÄLTIG LESEN
UND ZUM KÜNFTIGEN
NACHSCHLAGEN
AUFBEWAHREN**

Inhalt

Produktdaten	45
Produktregistrierung	
Garantie	
Kontakt	
Anforderungen an die Nutzung mit Kind	46
Warnung	47
Teileliste	51
Produkt aufbauen	53
Produkt verwenden	55
Zubehör	58
Textilteile anbringen und entfernen	61
Reinigung und Wartung	62

Produktdaten

Modellnummer: _____

Fertigungsdatum: _____

Produktregistrierung

Bitte tragen Sie die obigen Informationen ein. Modellnummer und Fertigungsdatum befindet sich auf einem Schild am Kinderwagengestell.

Bitte registrieren Sie Ihr Produkt unter:

www.nunababy.com

Klicken Sie auf der Startseite auf den „Ausrüstung registrieren“-Link.

Garantie

Wir haben unsere hochwertigen Produkte so entwickelt, dass Sie mit Ihrem Kind und Ihrer Familie wachsen. Da wir uns durch unsere Produkte hervorheben, ist unser Sortiment je nach Produkt durch eine angepasste Garantie ab Kaufdatum abgedeckt. Bitte halten Sie bei Kontaktaufnahme mit uns Kaufbeleg, Modellnummer und Fertigungsdatum bereit.

Garantieinformationen finden Sie unter:

www.nunababy.com

Klicken Sie auf der Startseite auf den „Garantie“-Link.

Kontakt

Wenden Sie sich für Ersatzteile, Service und weitere Garantiefragen an unseren Kundendienst.

info@nunababy.com

www.nunababy.com

Anforderungen an die Nutzung mit Kind

Dieser Kinderwagensitz eignet sich für Kinder, die folgende Anforderungen erfüllen:

Geburt bis 22 kg oder 4 Jahre, je nachdem, was zuerst eintritt

Wenn Sie das Kinderwagengestell mit einem Babykorb oder Nuna-Babyschalen verwenden, beachten Sie die in den Anleitungen gelisteten Nutzungsanforderungen.

! WARNUNG

DE

Nichtbeachtung dieser Warnungen und Anweisungen könnte zu schweren Verletzungen oder zum Tode führen.

Verwenden Sie immer das Rückhaltesystem.

Vergewissern Sie sich vor der Verwendung, dass der Kinderwagenaufsatz oder der Sitzeinheit oder die Befestigungselemente des Autositzes korrekt eingerastet sind.

Lassen Sie das Kind nicht mit dem Produkt spielen.

Vergewissern Sie sich vor Gebrauch, dass alle Verriegelungen eingerastet sind.

Lassen Sie das Kind nie unbeaufsichtigt.

Dieses Produkt ist nicht zum Joggen oder Skaten geeignet.

Vergewissern Sie sich, dass das Kind beim Aufklappen und Zusammenklappen des Wagens außer Reichweite ist, um Verletzungen zu vermeiden.

Nicht vom Hersteller zugelassenes Zubehör sollte nicht verwendet werden. Verwenden Sie nur vom Hersteller/Händler gelieferte oder empfohlene Ersatzteile.

Das Produkt muss von einem Erwachsenen montiert werden.

Verwenden Sie **IMMER** die Feststellbremse, wenn Sie anhalten.

Jegliche durch den Einsatz von Zubehörteilen, die nicht von Nuna bereitgestellt wurden, verursachten Schäden werden nicht durch die Garantie abgedeckt.

Jegliche am Griff und/oder an der Rückseite der Rückenlehne und/oder an den Seiten des Fahrzeugs angebrachte Last wirkt sich auf die Stabilität des Fahrzeugs aus.

Achten Sie darauf, dass der Kinderwagen vollständig montiert und verriegelt ist, bevor Sie Ihr Kind in die Nähe des Kinderwagens lassen.

Transportieren Sie **KEINE** zusätzlichen Kinder, Waren, Zubehörteile im oder auf diesem Kinderwagen, sofern dies in dieser Anleitung nicht erlaubt ist. Andernfalls kann der Kinderwagen instabil werden.

Lassen Sie den Kinderwagen **NICHT** in der Nähe von Hitzequellen wie Heizungen oder offenem Feuer stehen.

Legen Sie **NICHTS** auf das Verdeck.

Bewahren Sie den Kinderwagen **NICHT** an einem feuchten Ort auf. Lassen Sie die Textilien immer auf natürliche Weise trocknen, ohne direkte Hitzeeinwirkung.

Verwenden Sie den Ablagekorb **NICHT** als Kindersitz.

Verwenden Sie den Kinderwagen **NICHT**, falls irgendwelche Teile beschädigt sind oder fehlen.

DE

Auch wenn ein Kind in diesem Sitz gesichert durch Gurte liegen kann, ist er kein Ersatz für ein Bett. Falls Ihr Kind müde ist, sollten Sie es in einen geeigneten Kinderwagen, ein Gitter- bzw. Babybett legen.

Es wird nicht empfohlen, den Einsatz B allein zu verwenden.

Halten Sie Kleinteile von Kindern fern; es besteht Verschluckungsgefahr.

Achten Sie auf Bordsteine und Bodenunebenheiten. Wiederholte Erschütterungen können den Kinderwagen beschädigen.

Lassen Sie Kinder **NIEMALS** auf dem Kinderwagen stehen.

Transportieren Sie **NIEMALS** mehrere Kinder gleichzeitig in diesem Kinderwagen.

Transportieren Sie den Kinderwagen **NIEMALS** über Treppenstufen oder Rolltreppen. Sie könnten plötzlich Kontrolle über den Kinderwagen verlieren oder Ihr Kind könnte herausfallen.

Der Gurt muss immer richtig angebracht und angepasst werden. Der Gurt ist kein Ersatz für angemessene elterliche Aufsicht.

Nutzen Sie die Feststellbremse, wenn Sie das Kind hineinlegen oder herausnehmen.

Überlastung, falsches Aufklappen und der Einsatz von Zubehörteilen wie Kindersitzen, Taschenhaken, Regenschutzabdeckungen, Buggyhalterungen etc., die nicht von Nuna zugelassen sind, können den Kinderwagen beschädigen und Gefahren verursachen.

Gummireifen können schwarze Spuren auf glatten Oberflächen, wie Parkett, Laminat und Linoleum hinterlassen.

STRANGULATIONSGEFAHR Legen Sie keine Gegenstände mit einer Schnur um den Hals Ihres Kindes, hängen Sie keine Schnüre an diesem Produkt auf, bringen Sie keine Schnüre an Spielzeugen an.

Vermeiden Sie Erstickengefahr, indem Sie vor Benutzung des Produktes sämtliche Kunststoffabdeckungen entfernen und zerstören oder außerhalb der Reichweite von Kindern aufbewahren!

Verhindern Sie einen gefährlichen, instabilen Zustand, indem Sie den Ablagekorb mit nicht mehr als 4,5 kg und die Aufbewahrungstasche mit nicht mehr als 0,45 kg beladen.

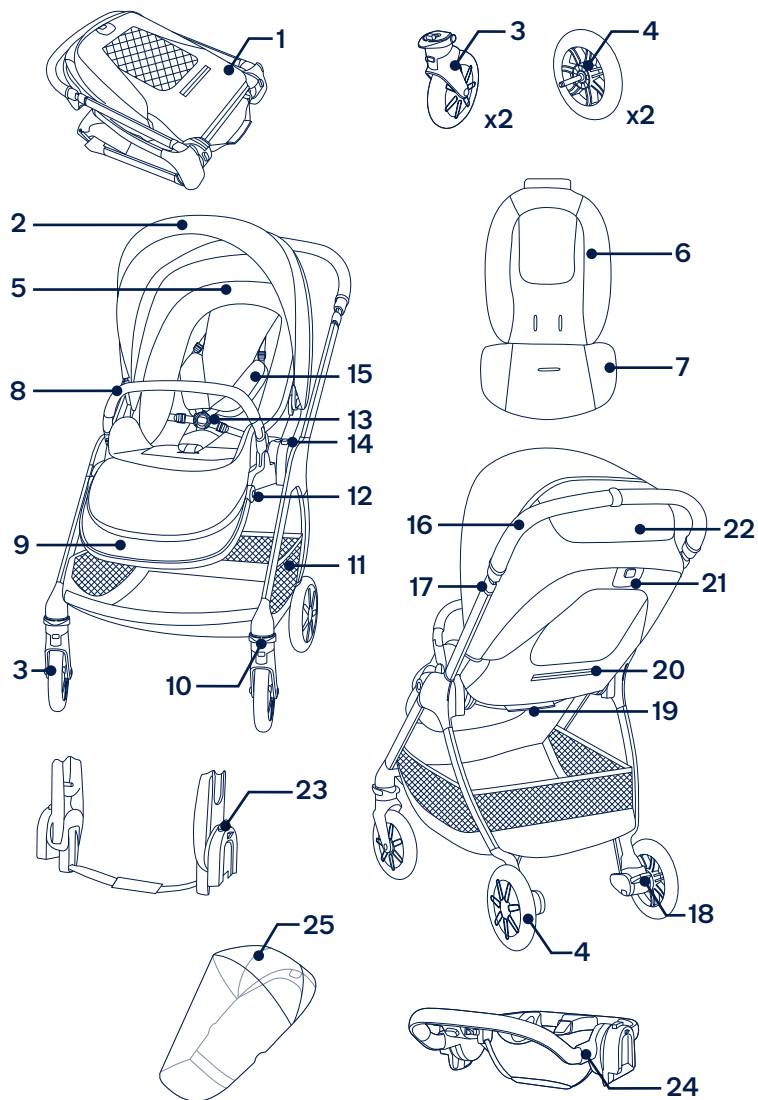
Verwenden Sie die am stärksten geneigte Position für Neugeborene.

Verwenden Sie den Kinderwagen mit einem Kind, das nicht mehr als 22 kg wiegt. Bei einem zu schweren Kind wird der Kinderwagen beschädigt.

Teileliste

Überprüfen Sie vor der Montage, ob alle Teile vorhanden sind. Falls etwas fehlen sollte, wenden Sie sich an Ihren Händler vor Ort. Für die Montage werden keine Werkzeuge benötigt.

- | | |
|--|--|
| 1 Kinderwagengestell | 14 Sitzfreigabeknopf |
| 2 Verdeck | 15 Schultergurtpolster |
| 3 Vorderrad (x2) | 16 Griff |
| 4 Hinterrad (x2) | 17 GriffEinstellknopf |
| 5 Sitzauflage | 18 Bremshebel |
| 6 Einsatz A | 19 Klappgurt |
| 7 Einsatz B (sollte nicht allein verwendet werden) | 20 Aufbewahrungstasche (maximale Last = 0,45 kg) |
| 8 Armlehne | 21 Neigungseinstellknopf/ Faltfreigabeknopf |
| 9 Wadenstütze | 22 Verdeckfenster |
| 10 Lenksperre | 23 Stangenadapter |
| 11 Ablagekorb | 24 Autositzringadapter |
| 12 Wadenstütze-Einstellknopf | 25 Regenschutz |
| 13 Verschluss | |



Produkt aufbauen

Kinderwagen auseinanderklappen

1 - Nehmen Sie das Kinderwagengestell heraus. **(1)**

2 - Drehen Sie den Griff zum Öffnen des Kinderwagengestells nach oben. **(2)**

3 - Ziehen Sie zum Öffnen am Sitz. **(3)**

Ein **Klickgeräusch** weist darauf hin, dass der Sitz geöffnet ist.

Prüfen Sie, ob der Kinderwagen vollständig eingerastet ist, bevor Sie fortfahren.

Sitz ausrichten

Bitte richten Sie den Sitz bei Bedarf aus.

1 - Drücken Sie den Sitzfreigabeknopf **(4)-1** und heben Sie den Sitz an **(4)-2**.

2 - Drehen Sie den Sitz um und bringen Sie ihn am Gestell an. **(5)**

Ein **Klickgeräusch** weist darauf hin, dass der Sitz vollständig angebracht ist.

Vorderräder

1 - Vorderrad in das vordere Bein einsetzen. **(6)**

Ein **Klickgeräusch** weist darauf hin, dass das Vorderrad vollständig montiert ist.

Durch Ziehen nach außen prüfen, ob das Rad sicher befestigt ist.
Auf der anderen Seite wiederholen.

2 - Drücken Sie zum Entfernen des Vorderrads den Freigabeknopf **(7)-1** und lösen Sie das Vorderrad vom vorderen Bein **(7)-2**.

Hinterräder

1 - Hinterrad in das hintere Bein einsetzen. **(8)**

Ein **Klickgeräusch** weist darauf hin, dass das Hinterrad vollständig montiert ist.

Durch Ziehen nach außen prüfen, ob das Rad sicher befestigt ist.

Auf der anderen Seite wiederholen.

2 - Drücken Sie zum Entfernen des Hinterrads den Freigabeknopf **(9)-1** und lösen Sie das Hinterrad vom hinteren Bein **(9)-2**.

Armlehne

! Sichern Sie das Kind immer mit dem Gurt. Die Armlehne ist keine Rückhaltevorrückung.

1 - Richten Sie die Armlehnenenden an den Armlehnenhalterungen aus und stecken Sie sie so ein, dass sie hörbar einrasten. **(10)**

Ein **Klickgeräusch** weist darauf hin, dass die Armlehne vollständig montiert ist.

2 - Entfernen Sie die Armlehne, indem Sie die Armlehnen-Freigabeknöpfe **(11)-1** drücken und die Armlehne abnehmen **(11)-2**.

Montage prüfen

- Kinderwagengestell ist geöffnet und verriegelt
- Kinderwagensitz ist sicher angebracht
- Hinter- und Vorderräder sicher befestigt
- Armlehne sicher befestigt

Produkt verwenden

Ihr Kind sichern

- 1** - Drücken Sie zum Lösen den mittleren Knopf am Verschluss, entfernen Sie die Klemmen und setzen Sie Ihr Kind in den Kinderwagen. **(12)**
- 2** - Verbinden Sie Schulter- und Hüftverschluss. **(13)**
- 3** - Sichern Sie Schulter- und Hüftverschluss an der Verschlusslasche und wiederholen Sie den Vorgang auf der gegenüberliegenden Seite. **(14)**
- 4** - Legen Sie den Gurt eng an Ihr Kind an, indem Sie die Verstellriemen festziehen **(15)-1**. Ziehen Sie dann die Tailleneinstellgurte nach oben **(15)-2**.

Schultergurt positionieren

- 1** - Die oberen Schultergurtverschlüsse können zur Anpassung nach oben und unten verschoben werden. **(16)**
- !** Um schwere Verletzungen aufgrund von Herausfallen oder -gleiten zu verhindern, sichern Sie Ihr Kind stets mit Gurten ab.

Stellen Sie sicher, dass der Gurt richtig angepasst und Ihr Kind zuverlässig gesichert ist. Der Abstand zwischen dem Kind und dem Schulterriemen sollte etwa die Dicke eines Fingers betragen.

Legen Sie die Schultergurte nicht überkreuz. Dadurch wird Druck im Nacken des Kindes erzeugt.

Verdeck

- 1** - Öffnen Sie das Verdeck, indem Sie das Verdeck zur Vorderseite des Sitzes ziehen; drücken Sie es zum Schließen nach hinten. **(17)**
- 2** - Öffnen Sie den Reißverschluss am Verdeck, um mehr Schatten zu spenden. **(18)**
- 3** - Für zusätzliche Belüftung klappen Sie die Abdeckung des Verdeckfensters nach oben. **(19)**

Neigung

Die Rückenlehne hat 4 Neigungspositionen.

- 1** - Sie können die Rückenlehne anheben oder absenken, indem Sie den Neigungseinstellknopf **(20)-1** drücken und die Rückenlehne nach oben oder unten ziehen **(20)-2**.
- !** Bitte drücken Sie nicht den Knopf **(20)-3** in der Mitte des Neigungseinstellknopfs bei Anpassung des Neigungswinkels.
Achten Sie darauf, die Neigung zur Verwendung sachgemäß anzupassen.

Wadenstütze

Die Wadenstütze besitzt 2 Einstellpositionen.

- 1** - Drücken Sie die Wadenstütze zum Anheben nach oben.
- 2** - Senken Sie die Wadenstütze ab, indem Sie den Einstellknopf **(21)-1** drücken und nach unten drücken **(21)-2**.

Griff

Der Griff hat 5 Positionen.

- 1 - Passen Sie die Griffhöhe an, indem Sie den Griffeinstellknopf **(22)**-1 und den Griff nach oben oder unten ziehen **(22)**-2.

Bremse

- 1 - Sperren Sie die Hinterräder, indem Sie auf den Bremshebel treten. **(23)**
 - 2 - Lösen Sie die Hinterräder, indem Sie den Bremshebel anheben. **(24)**
- ! Betätigen Sie die Bremse, wenn der Kinderwagen gestoppt ist. Drücken Sie leicht gegen den Kinderwagen, um sicherzustellen, dass die Bremse aktiviert ist.

Zusammenklappen

Der Kinderwagen kann mit nach vorne gerichtetem Sitz, nach hinten gerichtetem Sitz oder ohne Sitz nicht zusammengeklappt werden. Passen Sie den Griff vor dem Zusammenklappen auf die niedrigste Position an und stellen Sie sicher, dass die vorderen Lenkstopp gelöst sind.

- 1 - Falten Sie das Verdeck ein. **(27)**
- 2 - Drücken Sie den Klappfreigabeknopf **(28)**-1 in der Mitte des Neigungseinstellknopfs und drücken Sie den Neigungseinstellknopf zusammen **(28)**-2.
- 3 - Klappen Sie den Sitz ein. **(29)**
- 4 - Ziehen Sie den Klappgurt des Sitzes zum Zusammenklappen des Kinderwagens. **(30)**

- 5 - Der Kinderwagen mit nach vorne gerichtetem Sitz kann auf den Rädern stehen, mit nach hinten gerichtetem Sitz steht er auf Griff und Hinterrädern. **(31)**

- 6 - Drücken Sie die Klapp Tasten der Sitzhalterungen. **(32)**

- 7 - Klappen Sie den Kinderwagen zusammen. **(33)**

! Der Kinderwagen ohne Sitz kann auf Griff und Hinterrädern stehen.

Einsatz

- 1 - Montieren Sie den Einsatz, indem Sie ihn über dem Sitz platzieren und Schulter-, Gurt- und Schrittgurt durch ihre entsprechenden Schlitze fädeln. **(34)**
- 2 - Schließen Sie den Klettverschluss. **(35)**

Zubehör

! Bei einigen Modellen werden nicht alle Zubehörteile mitgeliefert.

Stangenadapter

Bei Montage und Verwendung einer Babyschale Nuna oder eines TRIV-Babykorbs beachten Sie bitte die Bedienungsanleitung von Babyschale bzw. Babykorb.

- 1 - Bringen Sie die Stangenadapter an, indem Sie sie an den Sitzhalterungen platzieren. Ein **Klickgeräusch** zeigt an, dass die Stangenadapter befestigt sind. **(36)(37)**
- 2 - Bringen Sie die Babyschale an, indem Sie sie auf den Stangenadaptern platzieren. Ein **Klickgeräusch** weist darauf hin, dass die Babyschale montiert ist. **(38)**

- 3** - Bringen Sie den Babykorb an, indem Sie ihn an den Stangenadaptern platzieren. Ein **Klickgeräusch** weist darauf hin, dass der Babykorb montiert ist. **(39)**
 - 4** - Die Babyschale kann nach vorne oder nach hinten gerichtet am Stangenadapter montiert werden. **(40)**
 - 5** - Der Babykorb kann nach vorne oder nach hinten gerichtet an den Stangenadaptern montiert werden. **(41)**
 - 6** - Entfernen Sie die Babyschale, indem Sie die Freigabeknöpfe an der Babyschale **(42)-1** drücken und die Babyschale anheben **(42)-2**.
 - 7** - Entfernen Sie den Babykorb, indem Sie die Freigabeknöpfe an der Seite des Babykorbs **(43)-1** drücken und den Babykorb anheben **(43)-2**.
 - 8** - Entfernen Sie die Stangenadapter, indem Sie die Adapterfreigabeknöpfe **(44)-1** drücken und den Korb anheben **(44)-2**.
- !** Entfernen Sie Babyschale und Babykorb vor dem Zusammenklappen.

Kinderwagen mit Stangenadaptern zusammenklappen

Passen Sie den Griff vor dem Zusammenklappen des Kinderwagens mit Stangenadaptern auf die zweit- oder dritthöchste Position an und stellen Sie sicher, dass die vorderen Lenkstopps gelöst sind.

- 1** - Ziehen Sie den Klappgurt der Stangenadapter zum Zusammenklappen des Kinderwagens. **(45)**
- !** Der Kinderwagen mit Stangenadaptern kann auf Griff und Hinterrädern stehen.

Autositzringadapter

Bitte beachten Sie für die Benutzung und Montage einer Babyschale Nuna die zugehörige Bedienungsanleitung.

- 1** - Bringen Sie den Autositzringadapter an, indem Sie ihn an der Sitzhalterung platzieren. **(46)** Ein **Klickgeräusch** zeigt an, dass der Autositzringadapter befestigt ist.
 - 2** - Bringen Sie die Babyschale an, indem Sie sie auf dem Autositzringadapter platzieren. Ein **Klickgeräusch** weist darauf hin, dass die Babyschale montiert ist. **(47)**
 - 3** - Babyschale und Autositzringadapter können in oder gegen die Fahrtrichtung befestigt werden. **(48)**
 - 4** - Entfernen Sie die Babyschale, indem Sie die zweite Sicherheitsverriegelung für den Adapter **(49)-1 lösen und anschließend den Freigabeknopf an der Rückseite der Babyschale (49)-2 drücken und diese anheben (49)-3**.
 - 5** - Entfernen Sie den Autositzringadapter, indem Sie die Adapterfreigabeknöpfe **(50)-1** ziehen und den Korb anheben **(50)-2**.
- !** Entfernen Sie die Babyschale vor dem Zusammenklappen.

Kinderwagen mit Autositzringadapter zusammenklappen

Passen Sie den Griff vor dem Zusammenklappen des Kinderwagens mit Autositzringadapter auf die zweit- oder dritthöchste Position an und stellen Sie sicher, dass die vorderen Lenkstopps gelöst sind.

- 1** - Ziehen Sie den Klappgurt des Autositzringadapters zum Zusammenklappen des Kinderwagens. **(51)**
- !** Der Kinderwagen mit Autositzringadapter kann auf Griff und Hinterrädern stehen.

Regenschutz für TRIV

Prüfen Sie, ob das Verdeck vollständig geöffnet ist, bevor Sie den Regenschutz anbringen.

- 1 - Bringen Sie den Regenschutz an, indem Sie ihn über dem Kinderwagen platzieren. **(52)**
- ! Prüfen Sie **STETS** die Belüftung, wenn der Regenschutz am Produkt angebracht ist.
- Achten Sie **IMMER** darauf, den Regenschutz vor dem Einsatz zu reinigen und zu trocknen.
- Klappen Sie den Kinderwagen **NICHT** zusammen, während der Regenschutz angebracht ist.
- Setzen Sie Ihr Kind an heißen Tagen **NICHT** in den Kinderwagen, wenn der Regenschutz angebracht ist.

Textilteile anbringen und entfernen

Befolgen Sie zum Abnehmen der Textilteile des Kindes wie abgebildet die Schritte **(53)** - **(66)**. Befolgen Sie die obigen Schritte zum Wiederanbringen der Textilteile des Sitzes in umgekehrter Reihenfolge.

Reinigung und Wartung

Reinigen Sie Gestell, Kunststoffteile und Textilien mit einem feuchten Tuch. Verzichte Sie auf Scheuer- und Bleichmittel. Verwenden Sie keine Silikonöle, da diese Schmutz und Dreck anziehen. Bewahren Sie Ihren Kinderwagen nicht an einem feuchten Ort auf.

Reinigen Sie die Räder des Kinderwagens regelmäßig mit Wasser, entfernen Sie den Schmutz.

Zur Gewährleistung einer langen Einsatzzeit Ihres Kinderwagens sollten Sie es nach Benutzung bei Regenwetter mit einem weichen, saugfähigen Tuch abwischen.

Beachten Sie zum Waschen und Trocknen das Pflegeetikett an den Textilteilen.

Es ist selbst bei gewöhnlichem Gebrauch normal, dass Textilien nach langer Benutzung durch Sonnenlicht verblassen und Verschleißerscheinungen aufweisen.

Verwenden Sie aus Sicherheitsgründen nur Nuna-Originalteile.

Prüfen Sie regelmäßig, ob alles richtig funktioniert. Verwenden Sie das Produkt nicht länger, falls Teile verschlissen oder beschädigt sind oder fehlen.

**BELANGRIJK!
ZORGVULDIG LEZEN
EN BEWAREN VOOR
RAADPLEGING IN
DE TOEKOMST**

Inhoud

Productinformatie	65
Productregistratie	
Garantie	
Contact	
Vereisten kindergebruik	66
Waarschuwing	67
Onderdelenlijst	71
Installeren product	73
Gebruik product	75
Accessoires	78
Zachte voorwerpen los- en vastmaken	81
Reiniging en onderhoud	82

Productinformatie

Modelnummer: _____

Fabricagedatum: _____

NI

Productregistratie

Vul de bovenstaande informatie in. Het model en de fabricagedatum bevinden zich op een etiket op het frame van de kinderwagen.

Ga voor het registreren van uw product naar:

www.nunababy.com

Klik op de link "Uitrusting registreren" op de homepage.

Garantie

Wij hebben onze hoogwaardige producten opzettelijk zo ontworpen dat ze kunnen mee kunnen groeien met zowel uw kind als uw familie. Omdat wij achter ons product staan, wordt onze uitrusting gedekt door een aangepaste garantie per product, beginnend op de dag van aanschaf. Houd het aankoopbewijs, het modelnummer en de fabricagedatum klaar als u contact met ons opneemt.

Ga voor garantie-informatie naar:

www.nunababy.com

Klik op de link "Garantie" op de homepage.

Contact

Neem contact op met onze klantenservice-afdelingen voor vervangende onderdelen, service of aanvullende vragen over de garantie.

info@nunababy.com

www.nunababy.com

Vereisten kindergebruik

Dit kinderwagenzitje is geschikt voor gebruik met kinderen die aan de volgende eisen voldoen:

Geboorte tot 22 kg of 4 jaar, als dat zich eerder voordoet

Bij gebruik van het kinderwagenframe met de draagwieg of Nuna-babyzitjes moet u de vereisten voor kindergebruik in deze handleidingen volgen.

NI

⚠️ WAARSCHUWING

Niet-naleving van de waarschuwingen en de instructies kan ernstig letsel of de dood veroorzaken.

Altijd het veiligheidstuigje gebruiken.

Controleer voor gebruik of het wiegje, het kinderwagenzitje, of het autostoeltje goed vast zit op het kinderwagenchassis.

Laat het kind niet met dit product spelen.

Zorg ervoor dat alle vergrendelingsmechanismes vast zitten voor dat je het product gebruikt.

Nooit het kind zonder toezicht laten.

Dit product is niet geschikt om mee hard te lopen of te skeeleren.

Zorg ervoor dat het kind uit de buurt is tijdens het in- en uitklappen van het product om letsel te voorkomen.

Gebruik geen toebehoren die niet door de fabrikant zijn goedgekeurd. Gebruik uitsluitend vervangende onderdelen die zijn geleverd of aanbevolen door de fabrikant/distributeur.

Montage door volwassene vereist.

ALTIJD op de handrem zetten als u stopt.

Alle schade als gevolg van het gebruik van accessoires die niet door Nuna zijn geleverd, wordt niet gedekt door de garantie.

Elke last bevestigd aan de greep of op de achterkant van de rugsteun of de zijkanten van het voertuig beïnvloedt de stabiliteit van het voertuig.

Zorg ervoor dat de kinderwagen volledig geopend en vergrendeld is voordat u uw kind in de buurt laat komen.

Vervoer **GEEN** extra kinderen, goederen, accessoires in of op de wandelwagen, behalve op de manier zoals toegestaan in deze handleiding. Hierdoor kan het wandelwagen instabiel worden.

NIET de wandelwagen laten staan in de buurt van een krachtige warmtebron zoals een kachel of open vuur.

NIETS op de kap leggen.

Bewaar de kinderwagen **NIET** in een vochtige omgeving. Laat het materiaal altijd op natuurlijke wijze drogen, uit de buurt van warmtebronnen.

De opbergmand **NIET** gebruiken om een kind in te plaatsen.

De kinderwagen **NIET** gebruiken bij gebroken of ontbrekende onderdelen.

Voor autostoeltjes die gebruikt worden in combinatie met een chassis, vervangt dit voertuig geen draagwieg of bed. Als uw kind moet slapen, moet u het in een geschikte kinderwagen, wieg of bed leggen.

Het wordt niet aanbevolen om alleen inzetstuk B te gebruiken.

Houd kleine onderdelen uit de buurt van kinderen want deze vormen een gevaar voor verstikking.

Wees voorzichtig bij stoepranden en ongelijkmatige grond. Herhaalde schokken kunnen de wandelwagen beschadigen.

Laat kinderen **NOOIT** op de wandelwagen staan. **NOOIT** meer dan één kind tegelijk in de wandelwagen meedragen.

Gebruik de wandelwagen **NOOIT** op trappen of roltrappen. U kunt plotseling de controle over de wandelwagen verliezen of uw kind kan eruit vallen.

De gordels moeten altijd goed zijn vastgezet en ingesteld. De gordels zijn geen vervanging voor toezicht van een volwassene.

Bij het plaatsen en verwijderen van het kind moet de parkeerrem geactiveerd zijn.

Overbelasten, onjuist opvouwen, en het gebruik van accessoires zoals kinderzitjes, tashaken, regenkappen, meerijdplankjes, enz. anders dan goedgekeurd door Nuna, kunnen de wandelwagen beschadigen of onveilig maken.

Rubberbanden kunnen zwarte strepen achterlaten op gladde oppervlakken zoals parket, laminaat en linoleum.

GEVAAR VOOR VERSTIKKING Geen voorwerpen met een koord rond de hals van uw kind hangen, de koorden van dit product laten hangen of koorden aan speelgoed bevestigen.

Om gevaar voor verstikking te voorkomen, moet u alle plastic afdekkingen verwijderen voordat u dit product gebruikt en deze vernietigen of uit de buurt van baby's en kinderen houden.

Voor het voorkomen van een gevaarlijke, onstabiele situatie moet u niet meer dan 4,5 kg plaatsen in de opbergmand en niet meer dan 0,45 kg in de opslagzak.

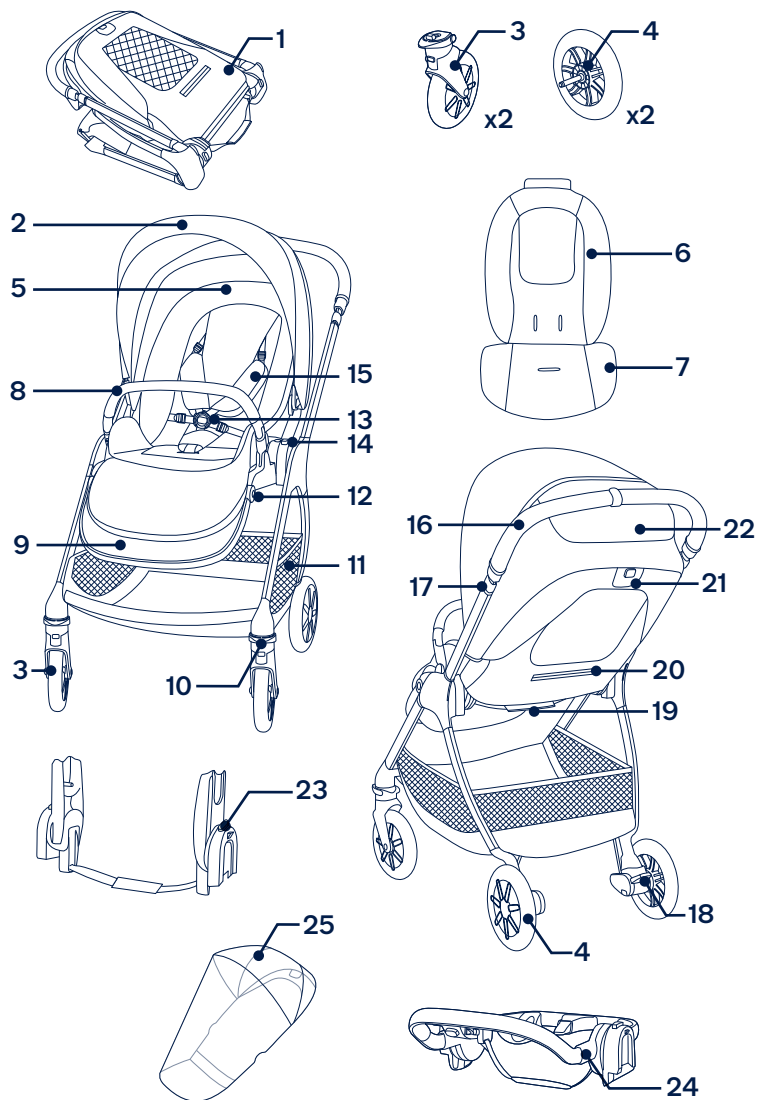
GEBRUIK de meest achteroverhellende stand voor pasgeboren baby's.

Gebruik de wandelwagen voor een kind dat niet meer dan 22 kg weegt. Als het kind niet past, kan dit de wandelwagen beschadigen.

Onderdelenlijst

Zorg dat alle onderdelen voor het opslaan droog zijn. Als er items ontbreken of beschadigd zijn, kunt u contact opnemen met uw leverancier. Voor de montage is geen gereedschap nodig.

- | | |
|--|---|
| 1 Wandelwagenframe | 14 Ontgrendelknop zitje |
| 2 Kap | 15 Schoudergordelkussens |
| 3 Voorwiel (x2) | 16 Handgreep |
| 4 Achterwiel (x2) | 17 Instelknop handgreep |
| 5 Zitkussen | 18 Remgreep |
| 6 Inzetstuk A | 19 Opvouwbare gordel |
| 7 Inzetstuk B (niet aanbevolen om alleen te gebruiken) | 20 Opslagzak (maximale belasting= 0,45 kg) |
| 8 Armsteun | 21 Instelknop schuine stand/Ontgrendelknop opvouwen |
| 9 Kuitsteun | 22 Raampje van de kap |
| 10 Draaislot | 23 Steunadapters |
| 11 Opbergmand | 24 Ringadapter autozitje |
| 12 Instelknop voor kuitsteun | 25 Regenkap |
| 13 Gesp | |



Installeren

Open kinderwagen

- 1 - Neem het frame van de wandelwagen eruit. **(1)**
- 2 - Draai de hendel omhoog om het frame van de wandelwagen te openen. **(2)**
- 3 - Trek aan het zitje om het te openen. **(3)**
Een “klik”-geluid betekent dat het zitje is geopend.
Controleer of het wandelwagentje volledig open is gezet voor u doorgaat.

Zitje omdraaien

Draai het zitje indien nodig om.

- 1 - Druk op de ontgrendelknop **(4)-1** en til het zitje op **(4)-2**.
- 2 - Draai het zitje om en bevestig het vervolgens aan het frame. **(5)**
Een “klik”-geluid betekent dat het zitje volledig is bevestigd

Voorwielen

- 1 - Steek het voorwiel in de voorste poot. **(6)**
Een “klik”-geluid betekent dat het wiel volledig is bevestigd.
Controleer of het wiel goed vastzit door het naar buiten te trekken.
Herhaal dit aan de andere kant.
- 2 - Om het voorwiel te verwijderen: druk op de ontgrendelknop **(7)-1** en maak het voorwiel los van de voorpoot **(7)-2**.

Achterwielen

- 1 - Steek het achterwiel in de achterste poot. **(8)**
Een “klik”-geluid betekent dat het achterwiel volledig is bevestigd.
Controleer of het wiel goed vastzit door het naar buiten te trekken.
Herhaal dit aan de andere kant.
- 2 - Om het achterwiel te verwijderen: druk op de ontgrendelknop **(9)-1** en maak het achterwiel los van de achterpoot **(9)-2**.

Armsteun

- ! Zet het kind altijd vast met de gordel. De armsteun is geen bevestigingsmiddel.
- 1 - Lijn de armsteun uit met de armsteunbeugels en steek hem er in tot hij op zijn plaats klikt. **(10)**
Een “klik”-geluid betekent dat de armsteun volledig is bevestigd.
 - 2 - Om de armsteun te verwijderen, drukt op de armsteunontgrendelknoppen **(11)-1** en verwijdert u de armsteun **(11)-2**.

Controleer de installatie

- Het frame van de kinderwagen is geopend en vergrendeld
- Het zitje is stevig bevestigd
- De achter- en voorwielen zijn stevig bevestigd
- De armsteun is stevrig bevestigd

Gebruik product

Uw kind beveiligen

- 1 - Druk de middelste knop op de gesp in om de gesp los te maken, verwijder de klemmen en zet uw kind in de kinderwagen. (12)
- 2 - Maak de schoudergesp en heupgesp vast. (13)
- 3 - Zet de schoudergesp en heupgesp vast op de gespbeugel en herhaal dit aan de andere kant. (14)
- 4 - Pas de gordels strak om uw kind door aan de instelbandjes te trekken om vast te maken (15)-1 te schuiven. Trek vervolgens de taille-instelbandjes naar buiten (15)-2.

Positie schouderriemen

- 1 - De bovenste schouderriemgespen kunnen omhoog en omlaag worden geschoven voor een nauwkeuriger afstelling. (16)
- ! Om ernstig letsel te voorkomen door uit de stoel vallen of glijden, moet u uw kind altijd met de riemen vastzetten.
- Zorg er voor dat de riemen goed zijn afgesteld en dat uw kind stevig vast zit. De ruimte tussen het kind en de schouderriemen moet ongeveer de dikte van een vinger zijn.
- De schouderriemen NIET kruisen. Dat veroorzaakt druk op de nek van het kind.

Kap

- 1 - Om de kap te openen, trekt u deze naar voren over de voorkant van het stoeltje, en om hem dicht te vouwen, drukt u hem terug. (17)
- 2 - Open de rits op de kap voor extra schaduw. (18)
- 3 - Klap het raampje van de kap omhoog voor extra ventilatie. (19)

Helling

Er zijn 4 schuine standen voor de rugsteun.

- 1 - Om de rugsteun omhoog of omlaag te brengen, knijpt u de instelknop in (20)-1 en trekt u de rugsteun omhoog of omlaag (20)-2.
- ! Druk niet op de knop (20)-3 in het midden van de instelhendel schuinstand bij het aanpassen van de hoek voor de schuinstand.
- Controleer of de helling goed is ingesteld.

Kuitsteun

De kuitsteun heeft 2 standen.

- 1 - Trek de kuitsteun omhoog om deze hoger te plaatsen.
- 2 - Druk op de instelknoppen in het midden van de kuitsteun (21)-1 en druk de steun omlaag (21)-2.

Hendel

De handgreep heeft 5 standen.

- 1 - Om de hoogte van de greep in te stellen, trekt u aan de hoogte-instelknop (22)-1 en schuift u de greep omhoog of omlaag (22)-2.

Rem

- 1 - Trap op de remhendel om de achterwielen vast te zetten. (23)
 - 2 - Licht de remhendel op om de achterwielen los te maken. (24)
- ! Gebruik de rem altijd als de kinderwagen stilstaat. Druk de kinderwagen iets vooruit om te controleren of de rem vast zit.

Draaien van voorwielen blokkeren

Aanbevolen wordt om de draaiblokkering voor de voorwielen op ongelijke oppervlakken te gebruiken.

- 1 - Trek de voorste draaiblokkering omhoog om het voorwiel te vergrendelen. (25)
- 2 - Duw de voorste draaiblokkering omlaag om te ontgrendelen. (26)

Opvouwen

U kunt de kinderwagen opvouwen met vooruit kijkend zitje of achteruit kijkend zitje of zonder het zitje. Stel voor het opvouwen van de kinderwagen de greep in op de laagste stand en zorg ervoor dat de voorste zwenkwielen ontgrendeld zijn.

- 1 - Vouw de kap op. (27)
- 2 - Druk op de ontgrendelknop opvouwen (28)-1 op het midden van de instelknop achterover hellen en knijp vervolgens in de instelknop achterover hellen (28)-2.
- 3 - Vouw het zitje op. (29)
- 4 - Trek aan het opvouwbare gaas van het zitje om de wandelwagen op te vouwen. (30)

- 5 - De wandelwagen met vooruit kijkend zitje kan staan met de wielen, en met achteruit kijkend zitje kan het staan met de handgreep en de achterwielen. (31)

- 6 - Druk op de opvouwknoppen van de zitsteunen. (32)

- 7 - Vouw de wandelwagen op. (33)

- ! De wandelwagen zonder zitje kan staan met de handgreep en de achterwielen.

Inzetstuk

- 1 - Voor het monteren van het inzetstuk, plaatst u het inzetstuk over het zitje en voert u de schouder-, heup- en kruisgordel door de desbetreffende sleuven. (34)
- 2 - Maak de bevestigingsmiddelen met haak en lus vast. (35)

Accessoires

- ! Niet alle accessoires worden bij alle modellen meegeleverd.

Steunadapters

Zie de handleiding van de babydraagmodule en de draagwieg voor montage en gebruik van de babydraagmodule Nuna en TRIV-draagwieg.

- 1 - Voor het bevestigen van de steunadapters plaatst u de steunadapters op de zitsteunen. Een “klik”-geluid betekent dat de steunadapters zijn bevestigd. (36)(37)
- 2 - Voor het bevestigen van de babydraagmodule, plaatst u de babydraagmodule op de steunadapters. Een klikkend geluid betekent dat de babydraagmodule is bevestigd. (38)

- 3** - Voor het bevestigen van de draagwieg plaatst u de draagwieg op de steunadapters. Een “klik”-geluid betekent dat de draagwieg is bevestigd. **(39)**
 - 4** - De babydraagmodule kan achteruit of vooruit kijkend worden bevestigd op de steunadapter. **(40)**
 - 5** - De draagwieg kan achteruit of vooruit kijkend worden bevestigd op de steunadapters. **(41)**
 - 6** - Om het babyzitje te verwijderen, knijpt u de ontgrendelknoppen in **(42)-1** en tilt u het babyzitje op **(42)-2**.
 - 7** - Voor het verwijderen van de draagwieg drukt u op de ontgrendelknoppen aan de zijkant van de draagwieg **(43)-1** en tilt u de draagwieg omhoog **(43)-2**.
 - 8** - Voor het verwijderen van de steunadapters, trekt u aan de ontgrendelknoppen van de adapter **(44)-1** en tilt u op **(44)-2**.
- !** Verwijder de babydraagmodule en de draagwieg voorafgaand aan het opvouwen.

Vouw de wandelwagen op met steunadapters

Stel voor het opvouwen van de kinderwagen met steunadapters de greep in op de laagste stand en zorg ervoor dat de voorste zwenkwielen ontgrendeld zijn.

- 1** - Trek aan het opvouwbaar gaas van de steunadapters voor het opvouwen van de wandelwagen. **(45)**
- !** De wandelwagen met de steunadapters kan staan met de handgreep en de achterwielen.

Ringadapter autozitje

Zie de handleiding van het babyzitje Nuna voor montage en gebruik hiervan.

- 1** - Voor het bevestigen van de ringadapter van het autozitje, plaatst u de ringadapter van het autozitje op de zitsteun. **(46)** Een “klik”-geluid betekent dat de ringadapter van het autozitje is vergrendeld.
 - 2** - Voor het bevestigen van de babydraagmodule, plaatst u de babydraagmodule op de ringadapter van het autozitje. Een **klikkend** geluid betekent dat de babydraagmodule is bevestigd. **(47)**
 - 3** - De babydraagmodule en de ringadapter van het autozitje kunnen achteruit of vooruit kijkend worden bevestigd. **(48)**
 - 4** - Voor het verwijderen van de babydraagmodule, ontgrendelt u het tweede veiligheidsslot voor adapter **(49)-1**, en druk vervolgens op de ontgrendelknop op de achterkant van de babydraagmodule **(49)-2** en til op **(49)-3**.
 - 5** - Voor het verwijderen van de ringadapter van het autozitje, drukt u op de ontgrendelknoppen van de adapter **(50)-1** en tilt u op **(50)-2**.
- !** Verwijder het babyzitje voor het opvouwen.

Vouw de wandelwagen op met de ringadapter van het autozitje

Stel voor het opvouwen van de kinderwagen met ringadapter van autozitje de greep in op de laagste stand en zorg ervoor dat de voorste zwenkwielen ontgrendeld zijn.

- 1 - Trek het opvouwbare gaas van de ringadapter van het autozitje om de wandelwagen op te vouwen. (51)

! De wandelwagen met de ringadapter autozitje kan staan met de handgreep en de achterwielen.

TRIV regenkap

Controleer dat de kap volledig geopend is voorafgaand aan het bevestigen van de regenkap.

- 1 - Plaats de regenkap over de wandelwagen om deze te monteren. (52)

! Controleer **ALTIJD** de ventilatie met name bij warm weer als het product is afgedekt door de regenkap.

Controleer **ALTIJD** of de regenkap schoon en droog is voor u deze weer opvouwt.

Vouw de wandelwagen **NIET** op wanneer de regenkap is bevestigd.

Plaats uw kind **NIET** in de wandelwagen in warm weer en met de regenkap bevestigd.

Zachte voorwerpen los-en vastmaken

Voor het losmaken van zachte goederen, volgt u de stappen (53) - (66) als getoond, en om de zachte goederen weer te bevestigen, gaat u in omgekeerde volgorde te werk.

Reiniging en onderhoud

Reinig het frame, de plastic onderdelen en het weefsel met een vochtige doek, maar gebruik geen schurende middelen of bleekwater. Gebruik geen silicone smeermiddelen omdat ze vuil en roet aantrekken. Bewaar de kinderwagen niet in een vochtige omgeving.

Reinig de wielen regelmatig met water en verwijder het vuil.

Om er voor te zorgen dat de kinderwagen lang meegaat, moet u hem na gebruik in de regen afvegen met een zachte absorberende doek.

Raadpleeg het wasetiket dat aan de zachte goederen is bevestigd voor was- en drooginstructies.

Het is normaal dat materialen verkleuren door blootstelling aan zonlicht en na langdurig gebruik slijtage vertonen, zelfs bij gangbaar gebruik.

Uit veiligheidsoverwegingen mag u uitsluitend originele onderdelen van Nuna gebruiken.

Controleer regelmatig of alles nog goed werkt. Gebruik de kinderwagen niet meer als onderdelen zijn gescheurd, gebroken of ontbreken.

NUNA International B.V. Nuna en alle bijbehorende logo's zijn handelsmerken.

**IMPORTANTE!
LEGGERE
ATTENTAMENTE E
CONSERVARE PER
RIFERIMENTO FUTURO**

Indice

Informazioni sul prodotto	85
Registrazione del prodotto	
Garanzia	
Contatto	
Requisiti di utilizzo da parte del bambino	86
Avvertenza	87
Elenco parti	91
Configurazione del prodotto	93
Uso del prodotto	95
Accessori	98
Rimozione e montaggio del rivestimento imbottito	101
Pulizia e manutenzione	102

Informazioni sul prodotto

Numero modello: _____

Prodotto in data: _____

Registrazione del prodotto

Inserire le precedenti informazioni. Numero modello e Prodotto in (data) si trovano su un'etichetta del telaio del passeggino.

Per registrare il prodotto, visitare il sito:

www.nunababy.com

Fare clic sul link "Registra dispositivo" nella homepage.

Garanzia

Abbiamo progettato appositamente i nostri prodotti di alta qualità in modo che crescano con il bambino e con la famiglia. Poiché crediamo nel nostro prodotto, i meccanismi sono coperti da una garanzia personalizzata per prodotto che comincia dal giorno dell'acquisto. Al momento di contattarci, sono necessari la prova d'acquisto, il numero di modello e la data di produzione.

Per informazioni sulla garanzia, visitare il sito:

www.nunababy.com

Fare clic sul link "Garanzia" nella homepage.

Recapito

Per la sostituzione di parti, manutenzione o domande sulla garanzia, contattare il dipartimento di assistenza al cliente.

info@nunababy.com

www.nunababy.com

Requisiti di utilizzo da parte del bambino

Questa seduta del passeggino è adatta per l'uso con bambini con i seguenti requisiti:

Dalla nascita a 22 kg o 4 anni, qualunque degli eventi si verifichi prima

Quando si utilizza il telaio del passeggino con le culle portatili Nuna, fare riferimento ai requisiti di utilizzo da parte del bambino elencati nei manuali di istruzioni.

AVVERTENZA

La mancata osservanza delle seguenti avvertenze e istruzioni potrebbe causare lesioni gravi o decesso.

Utilizzare sempre il sistema di ritenuta.

Prima dell'uso controllare che i meccanismi di aggancio della seduta, della navicella o del seggiolino auto siano correttamente agganciati.

Non lasciare che il bambino giochi con questo prodotto.

Prima dell'uso assicurarsi che tutti i meccanismi di bloccaggio siano correttamente agganciati.

Non lasciare mai il bambino incustodito.

Questo prodotto non è adatto per correre o pattinare.

Per evitare lesioni o ferimenti assicurarsi che il bambino sia a debita distanza durante le operazioni di apertura e chiusura del prodotto.

Gli accessori non approvati dal produttore non devono essere usati. Utilizzare solo le parti di ricambio fornite o consigliate dal produttore/distributore.

Il prodotto deve essere montato solo da adulti.

Quando ci si ferma, applicare **SEMPRE** il freno di stazionamento.

Eventuali danni causati dall'uso di accessori non forniti da Nuna non saranno coperti dalla garanzia.

Qualsiasi carico sulla maniglia, sul retro dello schienale e/o sui lati del veicolo influisce sulla stabilità del veicolo stesso.

Assicurarsi che il passeggino sia completamente eretto e bloccato prima che il bambino si avvicini ad esso.

NON trasportare altri bambini, prodotti o accessori nel o sul passeggino, salvo nei casi ammessi nel presente manuale. Possono causare l'instabilità del passeggino.

NON lasciare il passeggino esposto nei pressi di forti fonti di calore, come ad esempio un radiatore o una fiamma libera.

NON mettere mai nessun oggetto sul tettuccio.

NON lasciare il passeggino in sosta in luoghi umidi. Lasciare sempre che il tessuto si asciughi naturalmente lontano da fonti di calore dirette.

NON utilizzare il cestello di conservazione per il trasporto del bambino.

NON utilizzare il passeggino nel caso in cui alcuni componenti siano danneggiati o mancanti.

Per i seggiolini per auto utilizzati in combinazione con un telaio, questo veicolo non sostituisce una culla o un letto. Se il bambino ha necessità di dormire deve essere messo nella sua culla o nel lettino.

Si consiglia di non usare l'inserito B da solo.

Tenere lontano dai bambini i piccoli componenti, perché possono costituire un pericolo di soffocamento.

Affrontare cordoli di marciapiedi e pavimentazioni sconnesse con molta attenzione. Gli urti ripetuti potrebbero causare danni al passeggino.

NON lasciare mai che i bambini stiano in piedi sul passeggino.

NON trasportare mai più di un bambino per volta sul passeggino.

NON utilizzare mai il passeggino su scale o scale mobili. Si potrebbe perdere improvvisamente il controllo del passeggino o il bambino potrebbe cadere.

La cintura deve essere sempre correttamente applicata e regolata. La cintura non sostituisce l'attenta supervisione di un adulto.

Il freno di stazionamento deve essere inserito quando si mette o toglie il bambino.

Il sovraccarico, l'errata piegatura e l'uso di accessori, come per es. seggiolini per bambini, ganci per borse, coperture antipioggia, piani d'appoggio per passeggini, ecc..., diversi da quelli approvati da Nuna possono danneggiare il passeggino.

Le ruote in gomma possono lasciare dei segni neri su superfici lisce, come il parquet, il laminato e il linoleum.

PERICOLO DI STRANGOLAMENTO Non collocare oggetti dotati di lacci attorno al collo del bambino, appendere i lacci di questo prodotto o fissare i lacci ai giocattoli.

Per evitare il pericolo di soffocamento, prima di ogni utilizzo togliere tutte le coperture di plastica ed eliminarle o tenerle lontane da neonati e bambini!

Per evitare condizioni pericolose e instabili, non collocare più di 4,5 kg nel cestello di conservazione e più di 0,45 kg nella tasca portaoggetti.

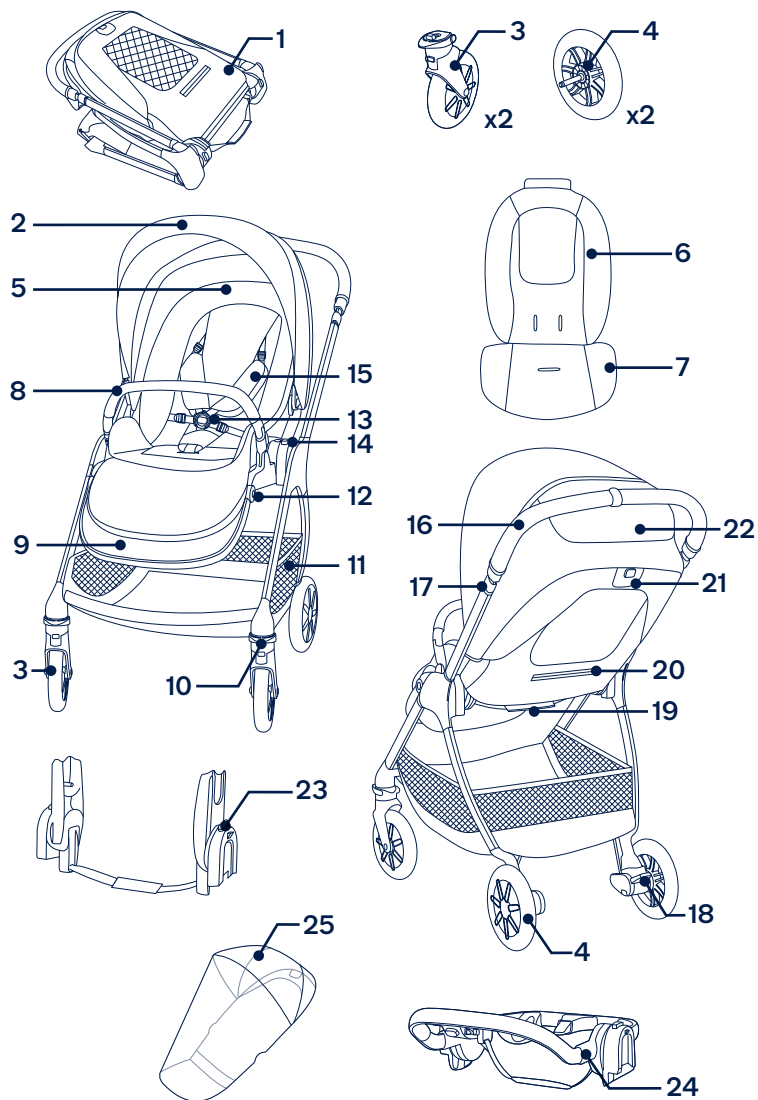
Per i neonati, **UTILIZZARE** la posizione più inclinata.

Usare il passeggino con bambini di peso non superiore a 22 kg. Se il bambino è troppo grande, si potrebbero causare danni al passeggino.

Elenco componenti

Assicurarsi che tutti i pezzi siano disponibili prima dell'assemblaggio. Se manca qualche pezzo, contattare il rivenditore locale. Per l'assemblaggio non è necessario nessun attrezzo.

- | | |
|--|--|
| 1 Telaio passeggino | 15 Imbottitura per briglia avvolgispalla |
| 2 Tettuccio | 16 Maniglia |
| 3 Ruota anteriore (x2) | 17 Pulsante di regolazione della maniglia |
| 4 Ruota posteriore (x2) | 18 Leva del freno |
| 5 Imbottitura | 19 Cinghia pieghevole |
| 6 Inserto A | 20 Tasca portaoggetti (carico massimo = 0,45 kg) |
| 7 Inserto B (non si consiglia di usarlo da solo) | 21 Pulsante di regolazione della reclinazione/
Pulsante di rilascio piegatura |
| 8 Bracciolo | 22 Finestrella del tettuccio |
| 9 Supporto per la gamba | 23 Adattatori di sostegno |
| 10 Bloccaggi orientabili | 24 Adattatore ad anello seggiolino per auto |
| 11 Cestello di conservazione | 25 Copertura antipioggia |
| 12 Pulsante di regolazione supporto per la gamba | |
| 13 Fibbia | |
| 14 Pulsante di rilascio seggiolino | |



Configurazione del prodotto

Apertura del passeggino

- 1 - Estrarre il telaio del passeggino. (1)
- 2 - Ruotare la maniglia verso l'alto per aprire il telaio del passeggino. (2)
- 3 - Tirare la seduta per aprirlo. (3)
Quando si sente il “clic” significa che il seggiolino è aperto.
Verificare che il passeggino sia completamente bloccato aperto prima di continuare.

Inversione del seggiolino

Se necessario, invertire il seggiolino.

- 1 - Premere il pulsante di rilascio (4)-1 e sollevare il seggiolino (4)-2.
- 2 - Invertire il seggiolino, quindi fissarlo al telaio. (5)
Quando si sente il “clic” significa che il seggiolino è completamente fissato.

Ruote anteriori

- 1 - Inserire la ruota anteriore nella gamba anteriore. (6)
Quando si sente il “clic” significa che la ruota anteriore è montata completamente.
Verificare che la ruota sia saldamente fissata cercando di estrarla.
Ripetere sul lato opposto.
- 2 - Per rimuovere la ruota anteriore, premere il pulsante di rilascio (7)-1 e staccare la ruota anteriore alla gamba anteriore (7)-2.

Ruote posteriori

- 1 - Inserire la ruota posteriore nella gamba posteriore. (8)
Quando si sente il “clic” significa che la ruota posteriore è montata completamente.
Verificare che la ruota sia saldamente fissata cercando di estrarla.
Ripetere sul lato opposto.
- 2 - Per rimuovere la ruota posteriore, premere il pulsante di rilascio (9)-1 e staccare la ruota posteriore alla gamba posteriore (9)-2.

Bracciolo

- ! Proteggere sempre il bambino con la cintura. Il bracciolo non è un dispositivo di ritenuta.
- 1 - Allineare le estremità del bracciolo con i supporti del bracciolo e inserire finché non scatta in posizione. (10)
Quando si sente il “clic” significa che il bracciolo è montato completamente.
- 2 - Per rimuovere il bracciolo, premere i pulsanti di rilascio del bracciolo (11)-1 e rimuovere il bracciolo (11)-2.

Controllo dell'installazione

- Il telaio del passeggino è bloccato aperto
- La seduta del passeggino è saldamente fissata
- Le ruote posteriori e anteriori sono saldamente fissate
- Bracciolo fissato saldamente

Uso del prodotto

Bloccaggio del telefono

- 1 - Premere il pulsante centrale sulla fibbia per sganciare la fibbia di bloccaggio, rimuovere i fermagli e sistemare il bambino nel passeggino. **(12)**
- 2 - Collegare la fibbia per le spalle e la fibbia per i fianchi. **(13)**
- 3 - Fissare la fibbia per le spalle e la fibbia per i fianchi alla fibbia di bloccaggio e ripetere sul lato opposto. **(14)**
- 4 - Applicare la cintura al bambino tirando le cinghie di regolazione per serrare **(15)-1**. Quindi, estrarre le cinghie di regolazione inguinali **(15)-2**.

Posizione della cintura per le spalle

- 1 - È possibile spostare verso l'alto e il basso le fibbie della cintura avvolgispalla superiori. **(16)**
- !** Per evitare gravi lesioni a seguito di caduta o scivolamento, allacciare il bambino con le cinture.
- Assicurarsi che la cintura sia regolata correttamente e che il bambino sia perfettamente allacciato. Lo spazio tra il bambino e la cintura per le spalle deve essere di circa lo spessore di un dito.
- NON** incrociare le cinture per le spalle. Ciò provocherà pressione sul collo del bambino.

Tettuccio

- 1 - Per aprire il tettuccio, tirarlo verso la parte anteriore della seduta e, per piegarlo, spingerlo verso il retro. **(17)**
- 2 - Aprire la cerniera sul tettuccio per ottenere più ombra. **(18)**

- 3 - Per una maggiore ventilazione, inclinare la copertura della finestrella del tettuccio. **(19)**

Reclinazione

Lo schienale può essere regolato in 4 diverse posizioni di reclinazione.

- 1 - Per sollevare o abbassare lo schienale, premere il pulsante di regolazione della reclinazione **(20)-1** e tirare la seduta verso l'alto o il basso **(20)-2**.
- !** Non premere il pulsante di sgancio **(20)-3** al centro del pulsante di regolazione della reclinazione quando si regola l'angolo di reclinazione. Assicurarsi che la reclinazione sia regolata correttamente per l'uso.

Supporto per la gamba

Il supporto per la gamba ha 2 posizioni di utilizzo.

- 1 - Per sollevare il supporto per la gamba, sollevarlo.
- 2 - Per abbassare il supporto per la gamba, premere il pulsante di regolazione **(21)-1** e spingerlo verso il basso **(21)-2**.

Maniglia

La maniglia ha 5 posizioni.

- 1 - Per regolare l'altezza della maniglia, tirare il pulsante di regolazione della maniglia **(22)-1** e tirare la maniglia verso l'alto o il basso **(22)-2**.

Freno

- 1 - Per bloccare le ruote posteriori, abbassare la leva del freno. **(23)**
- 2 - Per sbloccare le ruote posteriori, sollevare la leva del freno. **(24)**

- !** Applicare sempre il freno quando si arresta il passeggino. Spingere leggermente il passeggino per assicurarsi che il freno sia inserito.

Bloccaggi anteriori orientabili

Raccomandiamo di utilizzare i bloccaggi orientabili anteriori sulle superfici irregolari.

- 1 - Tirare verso l'alto il bloccaggio orientabile anteriore per bloccare la ruota anteriore. **(25)**
- 2 - Spingere verso il basso il bloccaggio orientabile anteriore per sbloccare. **(26)**

Piegatura

Il passeggino può essere piegato con la seduta rivolta in posizione di marcia o in posizione contraria al senso di marcia oppure senza seduta. Prima di piegare il passeggino, regolare la maniglia sulla posizione più bassa e assicurarsi che i bloccaggi orientabili anteriori siano sbloccati.

- 1 - Piegare il tettuccio. **(27)**
- 2 - Premere il pulsante di rilascio piegatura **(28)-1** al centro del pulsante di regolazione della reclinazione, quindi premere il pulsante di regolazione della reclinazione **(28)-2**.
- 3 - Piegare la seduta. **(29)**
- 4 - Tirare la cinghia pieghevole della seduta per piegare il passeggino. **(30)**
- 5 - Il passeggino con la seduta rivolta in posizione di marcia può rimanere eretto dalle ruote e con la seduta rivolta in posizione contraria al senso di marcia può rimanere eretto dalla maniglia e dalle ruote posteriori. **(31)**

- 6 - Premere i pulsanti di piegatura dei supporti della seduta. **(32)**

- 7 - Piegare il passeggino. **(33)**

- !** Il passeggino senza seduta può rimanere eretto dalla maniglia e dalle ruote posteriori.

Inserto

- 1 - Per montare l'inserto, collocarlo sopra il sedile e infilare le cinture per le spalle, le cinture inguinali e l'imbracatura spartigambe nelle rispettive fessure. **(34)**
- 2 - Fissare le chiusure in velcro. **(35)**

Accessori

- !** Non tutti gli accessori sono compresi in alcuni modelli.

Adattatori di sostegno

Per il montaggio e l'uso della culla portatile Nuna o con la culla portatile TRIV, fare riferimento al relativo manuale di istruzioni.

- 1 - Per fissare gli adattatori di sostegno, collocarli sui supporti del seggiolino. Quando si sente il **“clic”** significa che gli adattatori di sostegno sono fissati. **(36)(37)**
- 2 - Per fissare la culla portatile, collocarla sugli adattatori di sostegno. Quando si sente il **“clic”** significa che la culla portatile è fissata. **(38)**
- 3 - Per fissare la culla portatile, collocarla sugli adattatori di sostegno. Quando si sente il **“clic”** significa che la culla portatile è fissata. **(39)**
- 4 - La culla portatile può essere fissata rivolta in senso contrario al senso di marcia o in senso di marcia nell'adattatore di sostegno. **(40)**

- 5 - La culla portatile può essere fissata rivolta in senso contrario al senso di marcia o in senso di marcia negli adattatori di sostegno. (41)
- 6 - Per rimuovere la culla portatile, premere i pulsanti di rilascio sulla culla portatile(42)-1 e sollevarla (42)-2.
- 7- Per rimuovere la culla portatile, premere i pulsanti di rilascio sul lato della culla portatile (43)-1 e sollevarla (43)-2.
- 8 - Per rimuovere gli adattatori di sostegno, premere i pulsanti di rilascio dell'adattatore (44)-1 e sollevare (44)-2.

! Rimuovere la culla portatile prima di piegare.

Piegare il passeggino con gli adattatori di sostegno

Prima di piegare il passeggino con gli adattatori di sostegno, regolare la maniglia sulla posizione più bassa e assicurarsi che i bloccaggi orientabili anteriori siano sbloccati.

- 1 - Tirare la cinghia pieghevole degli adattatori di sostegno per piegare il passeggino. (45)

! Il passeggino con gli adattatori di sostegno può rimanere eretto dalla maniglia e dalle ruote posteriori.

Adattatore ad anello seggiolino per auto

Per il montaggio e l'uso della culla portatile Nuna, fare riferimento al relativo manuale di istruzioni.

- 1 - Per fissare l'adattatore ad anello seggiolino per auto, collocarlo sul supporto del seggiolino. (46) Quando si sente il "clic" significa che l'adattatore ad anello seggiolino per auto è bloccato.

- 2 - Per fissare la culla portatile, collocarla sull'adattatore ad anello seggiolino per auto. Quando si sente il "clic" significa che la culla portatile è fissata. (47)
 - 3 - La culla portatile e l'adattatore ad anello seggiolino per auto possono essere fissati rivolti in senso contrario al senso di marcia o in senso di marcia. (48)
 - 4 - Per rimuovere la culla portatile, rilasciare il secondo blocco di sicurezza dell'adattatore (49)-1, quindi premere il pulsante di rilascio situato sul retro della culla portatile (49)-2 e sollevarla (49)-3.
 - 5 - Per rimuovere l'adattatore ad anello seggiolino per auto, premere i pulsanti di rilascio dell'adattatore (50)-1 e sollevarli (50)-2.
- ! Rimuovere il sistema di ritenuta per bambini prima di piegare.

Piegare il passeggino con l'adattatore ad anello seggiolino per auto

Prima di piegare il passeggino con l'adattatore ad anello seggiolino per auto, regolare la maniglia sulla posizione più bassa e assicurarsi che i bloccaggi orientabili anteriori siano sbloccati.

- 1 - Tirare la cinghia pieghevole dell'adattatore ad anello seggiolino per auto per piegare il passeggino. (51)
- ! Il passeggino con l'adattatore ad anello seggiolino per auto può rimanere eretto dalla maniglia e dalle ruote posteriori.

Copertura antipioggia TRIV

Controllare che il tettuccio sia completamente aperto prima di fissare la copertura antipioggia.

1 - Per assemblare la copertura antipioggia, collocarla sopra il passeggino. **(52)**

! Con la copertura antipioggia applicata al passeggino, controllare **SEMPRE** la ventilazione.

Controllare **SEMPRE** che la copertura antipioggia sia pulita e asciutta prima di ripiegarla.

NON piegare il passeggino quando la copertura antipioggia è ancora fissata.

NON far sedere il bambino nel passeggino con la copertura antipioggia montata quando fa caldo.

Rimozione e montaggio del rivestimento imbottito

Per staccare il rivestimento imbottito del sedile, seguire le procedure **(53)** - **(66)** mostrate e per rimontare il rivestimento imbottito del sedile, invertire le procedure di cui sopra.

Pulizia e manutenzione

Pulire il telaio, le parti in plastica e il tessuto con un panno umido, ma senza utilizzare prodotti abrasivi o candeggina. Non utilizzare lubrificanti al silicone, in quanto attraggono sporcizia e polvere. Non lasciare il passeggino in sosta in luoghi umidi.

Pulire regolarmente le ruote del passeggino con acqua eliminando lo sporco.

Per assicurare una lunga durata, dopo averlo usato con la pioggia, strofinare il passeggino con un panno assorbente morbido.

Fare riferimento all'etichetta di cura presente sul rivestimento imbottito per istruzioni di lavaggio e asciugatura.

È normale che i tessuti si scoloriscano per effetto della luce solare e che presentino tracce di usura dopo un lungo periodo d'uso, anche se utilizzati in modo normale.

Per ragioni di sicurezza, utilizzare soltanto ricambi originali Nuna.

Controllare periodicamente se tutto funziona correttamente. Se alcune parti sono danneggiate, rotte o mancanti, cessare di utilizzare questo prodotto.

**¡IMPORTANTE!
LEAR DETENIDAMENTE
Y CONSERVAR PARA
FUTURAS CONSULTAS**

Índice

Información del producto	105
Registro del producto	
Garantía	
Contacto	
Requisitos de los niños para su uso	106
Advertencia	111
Lista de piezas	113
Montaje del producto	111
Uso del producto	115
Accesorios	118
Desmontaje y montaje del acolchado	122
Limpieza y mantenimiento	122

Información del producto

Número de modelo: _____

Fecha de fabricación: _____

Registro del producto

Rellene la información anterior. El número de modelo y la fecha de fabricación se encuentran en la estructura del cochecito.

Para registrar su producto, visite:

www.nunababy.com

Haga clic en el enlace “Registrar Equipo” en la página de inicio.

Garantía

Hemos diseñado a propósito nuestros productos de alta calidad para que puedan crecer tanto con su hijo como con su familia. Como respaldamos nuestros productos, nuestros artículos están cubiertos por una garantía a medida para cada producto, a partir de la fecha en la que fue adquirido. Tenga preparada la prueba de compra, el número de modelo y la fecha de fabricación cuando se ponga en contacto con nosotros.

Para obtener información acerca de la garantía, visite:

www.nunababy.com

Haga clic en el enlace “Garantía” en la página de inicio.

Contacto

Para obtener información sobre piezas de repuesto y servicio técnico, o para resolver dudas acerca de la garantía adicional, póngase en contacto con nuestro departamento de atención al cliente.

info@nunababy.com

www.nunababy.com

Requisitos de los niños para su uso

Este asiento para cochecito es apto para su uso con niños que cumplan los siguientes requisitos:

Desde el nacimiento hasta 22 kg o 4 años, lo que ocurra primero

Cuando utilice la estructura del cochecito con el capazo o los portabebés Nuna, consulte los requisitos de los niños para su uso que se indican en sus respectivos manuales de instrucciones.

ADVERTENCIA

Si no sigue las advertencias e instrucciones que se exponen a continuación, podría provocar graves lesiones o, incluso, la muerte.

Usar siempre el sistema de retención.

Comprobar que los dispositivos de sujeción del capazo, del asiento o de la silla de coche están correctamente engranados antes del uso.

No permita que el niño juegue con este producto.

Asegurarse de que todos los dispositivos de cierre están engranados antes del uso.

No dejar nunca al niño desatendido.

Este producto no es adecuado para correr o patinar.

Para evitar lesiones, asegúrese de que el niño se mantiene alejado durante el desplegado y el plegado de este producto.

No utilice accesorios que no estén aprobados por el fabricante. Utilice únicamente las piezas de recambio proporcionadas o recomendadas por el fabricante o distribuidor.

El montaje solo podrá ser realizado por personas adultas.

Ponga **SIEMPRE** el freno de estacionamiento cuando se detenga.

Cualquier daño causado por el uso de accesorios no suministrados por Nuna no estará cubierto por la garantía.

Si cuelga algún objeto del manillar y/o en la parte trasera del respaldo y/o de los laterales del cochecito, la estabilidad del cochecito se verá afectada.

Asegúrese de que el cochecito está totalmente erguido y bloqueado antes de permitir que el niño se acerque a él.

NO deberá llevar más niños, objetos o accesorios en el cochecito, a excepción de lo que se indica en este manual. Si lo hace, podría provocar que el cochecito se vuelva inestable.

NO deje el cochecito expuesto cerca de una fuente que desprenda demasiado calor como, por ejemplo, un radiador o una chimenea.

NO coloque ningún objeto sobre la capota.

NO guarde su cochecito en lugares húmedos. Deje siempre que su tejido se seque al aire libre, alejado del calor directo.

NO utilice la cesta portaobjetos como portabebés.

NO utilice este cochecito si falta alguna de sus piezas o si alguna de ellas está dañada.

En asientos de vehículo que se utilicen con un chasis, este vehículo no sustituye a una cuna ni una cama. Si su hijo necesita dormir, deberá colocarlo sobre una cuna, una cama o un capazo adecuado.

No es recomendable utilizar el accesorio B solo.

Mantenga las piezas pequeñas fuera del alcance de los niños, ya que existe el riesgo de asfixia.

Cuando pase por bordillos y suelos irregulares, hágalo con cuidado. Un impacto repetido podría dañar el cochecito.

NUNCA deje que los niños se pongan de pie sobre el cochecito.

NUNCA lleve a más de un niño al mismo tiempo en el cochecito.

NUNCA utilice el cochecito en escaleras convencionales o mecánicas. Podría perder repentinamente el control del cochecito o su hijo podría caerse.

El arnés deberá estar siempre bien colocado y ajustado correctamente. El arnés no sustituye la supervisión adecuada de un adulto.

El freno de estacionamiento deberá estar engranado cuando coloque y retire al niño.

Si sobrecarga, pliega de forma incorrecta o utiliza accesorios como asientos para niños, enganches para bolsos, capotas impermeables, patinetes Buggy Board, etc. que no estén aprobados por Nuna, podría dañar el cochecito o provocar que este ya no sea seguro.

Las gomas de las ruedas pueden dejar marcas en superficies lisas como el parqué, el suelo laminado o el de linóleo.

RIESGO DE ESTRANGULAMIENTO No coloque objetos con cordones alrededor del cuello del niño, no deje que cuelguen cordones de este producto ni ate los cordones a ningún juguete.

¡Para evitar el riesgo de asfixia, retire los plásticos que lo recubren antes de utilizar este producto y destrúyalos o manténgalos fuera del alcance de bebés y niños!

Para evitar riesgos y la inestabilidad del producto, no coloque más de 4,5 kg de peso en la cesta portaobjetos ni más de 0,45 kg en el bolsillo de almacenamiento.

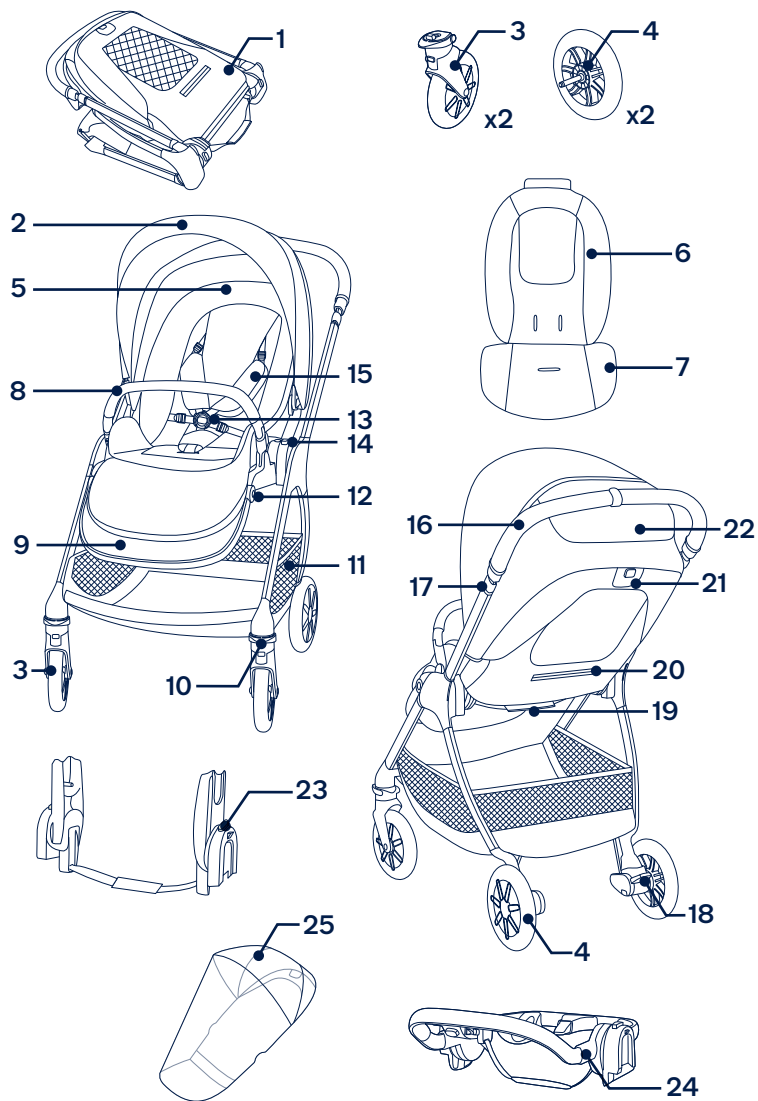
USE la posición lo más reclinada posible para recién nacidos.

Esta sillita está diseñada para niños con un peso inferior a 22 kg. Con niños de más peso, la sillita puede romperse.

Lista de piezas

Asegúrese de que están disponibles todas las piezas antes de montar el producto. Si falta alguna pieza, póngase en contacto con su proveedor local. No se necesita ninguna herramienta para el montaje.

- | | |
|--|--|
| 1 Estructura del cochecito | 15 Acolchado del arnés para los hombros |
| 2 Capota | 16 Manillar |
| 3 Rueda delantera (x2) | 17 Botón de ajuste del manillar |
| 4 Rueda trasera (x2) | 18 Palanca del freno |
| 5 Acolchado del asiento | 19 Cincha de plegado |
| 6 Accesorio A | 20 Bolsa de almacenamiento (carga máxima = 0,45 kg) |
| 7 Accesorio B (no se recomienda usar solo) | 21 Botón de ajuste de inclinación/Botón de desbloqueo de plegado |
| 8 Reposabrazos | 22 Ventana de la capota |
| 9 Soporte para las pantorrillas | 23 Adaptadores de alimentación |
| 10 Bloqueo de las ruedas giratorias | 24 Adaptador de anillo de asiento para vehículo |
| 11 Cesta portaobjetos | 25 Capota impermeable |
| 12 Botón de ajuste del soporte para las pantorrillas | |
| 13 Hebilla | |
| 14 Botón de desbloqueo del asiento | |



Montaje del producto

Abrir el cochecito

- 1 - Saque la estructura del cochecito. (1)
- 2 - Gire el asa hacia arriba para abrir la estructura del cochecito. (2)
- 3 - Tire del asiento para abrirlo. (3)

Cuando oiga un “clic”, significará que el asiento está abierto.

Compruebe que el cochecito está completamente abierto y bloqueado antes de continuar.

Cambio del asiento

Cambie de asiento si es necesario.

- 1 - Presione el botón de desbloqueo del asiento (4)-1 y levante dicho asiento (4)-2.
- 2 - Invierta el asiento y acóplelo a la estructura. (5)
Cuando oiga un “clic”, significará que el asiento está completamente acoplado.

Ruedas delanteras

- 1 - Introduzca la rueda delantera dentro de la pata delantera. (6)
Cuando oiga un “clic”, significará que la rueda delantera está completamente montada.
Compruebe que la rueda está colocada de forma segura tirando de ella.
Repita este paso en el lado contrario.
- 2 - Para quitar la rueda delantera, presione el botón de desbloqueo (7)-1 y desmóntela de la pata delantera (7)-2.

Ruedas traseras

- 1 - Introduzca la rueda trasera dentro de la pata trasera. (8)
Cuando oiga un “clic”, significará que la trasera está completamente montada.
Compruebe que la rueda está colocada de forma segura tirando de ella.
Repita este paso en el lado contrario.
- 2 - Para quitar la rueda trasera, presione el botón de desbloqueo (9)-1 y desmóntela de la pata trasera (9)-2.

Reposabrazos

- ! Asegure siempre al niño con el arnés. El reposabrazos no es un dispositivo de sujeción.
- 1 - Alinee los extremos del reposabrazos con los soportes del reposabrazos e introdúzcalo hasta que quede sujeto en su posición mediante el sonido de un clic. (10)
Cuando escuche un “clic”, significará que el reposabrazos está completamente montado.
 - 2 - Para quitar el reposabrazos, presione los botones de desbloqueo de dicho reposabrazos (11)-1 y quite este (11)-2.

Comprobar el montaje

- La estructura del cochecito se abre con seguro
- El asiento del cochecito está bien sujeto
- Las ruedas traseras y delanteras están fijadas de forma segura
- El reposabrazos está fijado de forma segura

Uso del producto

Asegurar al niño

- 1 - Pulse el botón central de la hebilla para soltar el bloqueo de la hebilla, quite los enganches y coloque al niño en el cochecito. **(12)**
- 2 - Conecte la hebilla de los hombros y la hebilla de la cadera. **(13)**
- 3 - Abroche la hebilla de los hombros y la hebilla de la cadera con el bloqueo de la hebilla y repita este paso en el lado contrario. **(14)**
- 4 - Ajuste el arnés perfectamente a su hijo tirando de las correas de ajuste para apretar **(15)-1**. A continuación, tire de las correas de ajuste de la cintura hacia fuera **(15)-2**.

Posición del arnés de los hombros

- 1 - Las hebillas del arnés para los hombros superiores se pueden mover hacia arriba y hacia abajo para un mayor ajuste. **(16)**
- !** Con el fin de evitar lesiones graves como consecuencia de caídas o resbalones, mantenga al niño sujeto con el arnés en todo momento.

Asegúrese de que el arnés está ajustado correctamente y de que su hijo está sujeto cómodamente. El espacio entre el niño y el arnés para los hombros deberá ser del grosor de un dedo más o menos.

NO cruce los cinturones de los hombros. Si lo hace, podría presionar el cuello del niño.

Capota

- 1 - Para abrir la capota, tire de ella hacia adelante del asiento; y para plegarla, empújela hacia atrás. **(17)**
- 2 - Abra la cremallera de la capota para obtener más sombra y ventilación. **(18)**
- 3 - Para una mayor ventilación, levante la cubierta de la ventana de la capota. **(19)**

Reclinación

El respaldo puede colocarse en 4 posiciones de reclinación.

- 1 - Para subir o bajar el respaldo, presione el botón de ajuste de la reclinación **(20)-1** y tire del respaldo hacia arriba o hacia abajo **(20)-2**.
- !** No presione el botón de desbloqueo **(20)-3** situado en el centro del botón de ajuste de reclinación cuando ajuste el ángulo para la reclinación. Asegúrese de que ajusta la reclinación de forma adecuada para su uso.

Soporte para los gemelos

Se puede utilizar el soporte para los gemelos en 2 posiciones distintas.

- 1 - Para elevar el soporte para los gemelos, tire de él hacia arriba.
- 2 - Para bajar el soporte para las pantorrillas, pulse el botón de ajuste **(21)-1** y empuje hacia abajo **(21)-2**.

Manillar

El manillar se puede colocar en 5 posiciones distintas.

- 1 - Para ajustar la altura del manillar, pulse el botón de ajuste del manillar **(22)-1** y tire del manillar hacia arriba o hacia abajo **(22)-2**.

Freno

- 1 - Para bloquear las ruedas traseras, pise la palanca del freno. **(23)**
 - 2 - Para desbloquear las ruedas traseras, levante la palanca del freno. **(24)**
- ! Ponga siempre el freno cuando el cochecito esté parado. Empuje el cochecito ligeramente para asegurarse de que el freno está accionado.

Bloqueos de las ruedas giratorias delanteras

Se recomienda utilizar los bloqueos de las ruedas giratorias delanteras sobre las superficies irregulares.

- 1 - Tire del bloqueo de las ruedas giratorias delanteras hacia arriba para bloquear la rueda delantera. **(25)**
- 2 - Presione los bloqueos de las ruedas giratorias delanteras para desbloquearlas. **(26)**

Plegar

El cochecito se puede plegar con el asiento orientado hacia adelante o con el asiento orientado hacia atrás o sin el asiento. Antes de plegar el cochecito, ajuste el manillar en la posición más baja y asegúrese de que los bloqueos de las ruedas giratorias delanteras están desbloqueados.

- 1 - Pliegue la capota. **(27)**
- 2 - Presione el botón de desbloqueo de plegado **(28)**-1 situado en el centro del botón de ajuste de inclinación y, a continuación, presione el botón de ajuste de inclinación **(28)**-2.
- 3 - Pliegue el asiento. **(29)**
- 4 - Tire de la cincha de plegado del asiento para plegar el cochecito. **(30)**

- 5 - El cochecito con el asiento orientado hacia adelante puede sostenerse con las ruedas, y el con asiento orientado hacia atrás puede sostenerse mediante el asa y las ruedas traseras. **(31)**
 - 6 - Presione los botones de plegado de los soportes del asiento. **(32)**
 - 7 - Pliegue el cochecito. **(33)**
- ! El cochecito sin asiento puede sostenerse mediante el manillar y las ruedas traseras.

Accesorio

- 1 - Para ensamblar el accesorio, colóquelo sobre el asiento y pase los arneses para los hombros, la cintura y la entrepierna a través de sus respectivas ranuras. **(34)**
- 2 - Coloque el gancho y abroche las sujeciones. **(35)**

Accesorios

- ! No todos los accesorios están incluidos en algunos modelos.

Adaptadores de tubo

Para el portabebés Nuna y el uso y el montaje del el capazo TRIV, consulte los manuales de instrucciones correspondientes.

- 1 - Para acoplar los adaptadores de tubo, colóquelos en los soportes del asiento. Cuando oiga un “clic” significará que los adaptadores de tubo están acoplados. **(36)****(37)**
- 2 - Para acoplar el portabebés, colóquelo en los adaptadores de tubo. Cuando escuche un “clic” significará que el portabebés está completamente acoplado. **(38)**

- 3 - Para acoplar el capazo, colóquelo en los adaptadores de tubo. Cuando escuche un “clik” significará que el capazo está completamente acoplada. **(39)**
 - 4 - El portabebés se puede instalar orientado hacia atrás y hacia adelante en los adaptadores de tubo. **(40)**
 - 5 - El capazo se puede acoplar orientado hacia adelante o hacia atrás en los adaptadores de tubo. **(41)**
 - 6 - Para quitar el portabebés, pulse los botones de desbloqueo ubicados en el portabebés **(42)-1** y levántelo **(42)-2**.
 - 7- Para retirar el capazo, presione los botones de desbloqueo del lado del capazo **(43)-1** y levante **(43)-2**.
 - 8 - Para quitar el adaptador de anillo, empuje los botones de desbloqueo de dicho adaptador **(44)-1** y levántelo **(44)-2**.
- !** Quite el portabebés y el capazo antes de plegar el producto.

Pliegue el cochecito con los adaptadores de tubo

Antes de plegar el cochecito con los adaptadores de tubo, ajuste el manillar en la posición más baja y asegúrese de que los bloqueos de las ruedas giratorias delanteras están desbloqueados.

- 1 - Tire de la cincha de plegado de los adaptadores de tubo para plegar el cochecito. **(45)**
- !** El cochecito con los adaptadores de tubo asiento puede sostenerse mediante el manillar y las ruedas traseras.

Adaptador de anillo de asiento para vehículo

Para ensamblar y usar el portabebés Nuna, consulte el manual de instrucciones del mismo.

- 1 - Para acoplar el adaptador de anillo de asiento para vehículo, colóquelo en el soporte del asiento. **(46)**
Cuando oiga un “clik”, significará que el adaptador de anillo de asiento para bebé está sujeto.
 - 2 - Para acoplar el portabebés, colóquelo en el adaptador de anillo de asiento para vehículo. Cuando escuche un “clik” significará que el portabebés está completamente acoplado. **(47)**
 - 3 - El portabebés y el adaptador de anillo de asiento para vehículo se pueden colocar orientados hacia atrás o hacia adelante. **(48)**
 - 4 - Para retirar el portabebés, libere el segundo bloqueo de seguridad del adaptador **(49)-1**, luego presione el botón de desbloqueo ubicado en la parte posterior del portabebés **(49)-2** y levante **(49)-3**.
 - 5 - Para quitar el adaptador de anillo de asiento para vehículo, pulse los botones de desbloqueo del adaptadores **(50)-1** y levante **(50)-2**.
- !** Quite el portabebés antes de plegar el producto.

Pliegue el cochecito con el adaptador de anillo de asiento para vehículo

Antes de plegar el cochecito con el adaptador de anillo de asiento para vehículo, ajuste el manillar en la posición más baja y asegúrese de que los bloqueos de las ruedas giratorias delanteras están desbloqueados.

1 - Tire de la cincha de plegado del adaptador de anillo de asiento para vehículo para plegar el cochecito. (51)

! El cochecito con el adaptador de anillo de asiento para vehículo puede sostenerse mediante el manillar y las ruedas traseras.

Capota impermeable TRIV

Verifique que la capota esté completamente abierta antes de colocar la cubierta impermeable.

1 - Para montar la capota impermeable, colóquela sobre las sillita. (52)

! Asegúrese **SIEMPRE** de que haya una ventilación adecuada cuando coloque la capota impermeable en el producto.

Asegúrese **SIEMPRE** de que la capota impermeable está limpia y seca antes de plegarla.

NO pliegue la sillita cuando la capota impermeable esté acoplada.

NO coloque al niño en la sillita cuando haga calor con la cubierta impermeable acoplada.

Desmontaje y montaje del acolchado

Para desmontar el acolchado del asiento, siga los pasos (53) - (66) como se muestra, y para volver a ensamblar dicho acolchado, siga los pasos anteriores en orden inverso.

Limpieza y mantenimiento

Limpie la estructura, las piezas de plástico y el tejido con un paño húmedo, pero no utilice productos abrasivos ni lejía. No utilice lubricantes con silicona ya que atraerán la suciedad. No guarde su cochecito en lugares húmedos.

Limpie las ruedas del cochecito periódicamente con agua y elimine la suciedad.

Para garantizar un uso duradero, limpie el cochecito con un paño suave y absorbente después de usarlo en un día lluvioso.

Consulte la etiqueta de cuidados cosida al acolchado para conocer las instrucciones de lavado y secado.

Es normal que la tela se decolore debido a la luz del sol, y se desgaste y se rompa después de un largo periodo de uso, incluso si se utiliza de una forma normal.

Por razones de seguridad, utilice únicamente piezas originales de Nuna.

Compruebe periódicamente que todo funciona correctamente. Si falta alguna pieza o si alguna de ellas está rota o desgastada, deje de utilizar este producto.

NUNA International B.V. Nuna y todos los logotipos asociados son marcas comerciales.

**IMPORTANTE!
LEIA ATENTAMENTE
E GARDE PARA
FUTURA REFERÊNCIA**

Índice

Informações sobre o produto	125
Registo do produto	
Garantia	
Contactos	
Requisitos de utilização	126
Avisos	127
Lista de componentes	131
Montagem do produto	133
Utilização do produto	135
Acessórios	138
Retirar e montar a capa de tecido	141
Limpeza e manutenção	141

Informações sobre o produto

Número de modelo: _____

Data de fabrico: _____

Registo do produto

Preencha as informações acima. O número de modelo número e a data de fabrico estão localizadas numa etiqueta na estrutura do carrinho de bebé.

Para registar o seu produto, visite:

www.nunababy.com

Clique no link “Registar equipamento” na página inicial.

Garantia

Concebemos propositadamente os nossos produtos de alta qualidade para que possam acompanhar o crescimento do seu filho e da sua família. Porque confiamos nos nossos produtos, os nossos equipamentos estão cobertos por uma garantia personalizada por produto, a partir do dia da respetiva compra. Quando nos contactar, tenha disponíveis o comprovativo de compra, o número do modelo e a data de fabrico.

Para obter informações sobre a garantia, visite:

www.nunababy.com

Clique no link "Garantia" na página inicial.

Contactos

Para peças de substituição, assistência técnica ou outras questões sobre a garantia, contacte o nosso departamento do apoio ao cliente.

info@nunababy.com

www.nunababy.com

Requisitos de utilização

Esta cadeira é adequada para crianças que cumpram os seguintes requisitos:

Até 22 kg ou 4 anos, o que ocorrer primeiro

Sempre que utilizar a estrutura do carrinho com a alcofa ou o transportadores Nuna, consulte os requisitos de utilização nos respetivos manuais de instruções.

AVISOS

O incumprimento dos avisos e instruções pode resultar em lesões graves ou morte.

Utilize o cinto de segurança sempre que o seu filho estiver no assento.

Verifique se alcofa, o assento reversível ou o assento auto estão correctamente encaixados antes de usar o produto.

Não deixe que o seu filho brinque com este produto.

PT

Verifique se todos os pontos de encaixe estão bem fixos antes de usar o produto.

Nunca deixe a criança abandonada.

Não é conveniente utilizar este produto aquando da realização de patinagem ou corrida.

Para evitar ferimento assegure-se que o seu filho está afastado, do produto, enquanto o abre e fecha.

Não utilize acessórios que não sejam aprovados pelo fabricante. Utilize apenas peças fornecidas e recomendadas pelo fabricante/distribuidor.

A montagem deverá ser efetuada por adultos.

Acione **SEMPRE** o travão de estacionamento quando parar.

Os danos causados pela utilização de acessórios não fornecidos pela Nuna não estão cobertos pela garantia.

Qualquer carga colocada sobre a pega e/ou na traseira do apoio das costas e/ou nas laterais do veículo podem afetar a estabilidade do mesmo.

Assegure-se de que o carrinho de bebé está completamente erguido e bloqueado antes de permitir que a criança se aproxime do mesmo.

NÃO utilize o carrinho de bebé para transportar outras crianças, mercadorias ou acessórios, exceto nas situações permitidas neste manual. Se o fizer, o carrinho de bebé pode ficar instável.

NÃO deixe o carrinho de bebé exposto nas proximidades de uma fonte de calor intenso, isto é, um radiador ou chamas vivas.

NÃO coloque nenhum artigo sobre a cobertura.

NÃO armazene o carrinho de bebé num local húmido. Permita sempre que o tecido seque naturalmente afastado de fontes de calor direto.

NÃO utilize o cesto de armazenamento como transportador.

NÃO utilize o carrinho de bebé se alguma peça estiver danificada ou em falta.

Para as cadeiras utilizadas em conjunto com a estrutura do carrinho de bebé, o carrinho não substitui um berço ou cama. Se a criança precisar de dormir, coloque-a na alcofa, berço ou cama apropriados.

Não se sugere utilizar apenas o redutor B.

Mantenha as peças pequenas fora do alcance das crianças, pois representam um risco de asfixia.

PT

Seja cuidadoso ao atravessar pisos irregulares e subir passeios. Impactos repetidos podem causar danos no carrinho de bebê.

NUNCA deixe a criança colocar-se de pé sobre o carrinho de bebê.

NUNCA transporte mais do que uma criança neste carrinho de bebê.

NUNCA utilize o carrinho de bebê em escadas rolantes ou convencionais. Pode perder subitamente o controlo do carrinho de bebê ou a criança pode cair.

PT As alças devem estar sempre corretamente fixadas e ajustadas. As alças não substituem a supervisão adequada de um adulto.

O travão de estacionamento deve ser acionado ao colocar e remover a criança.

A sobrecarga, fecho incorreto e utilização de acessórios como cadeiras para criança, ganchos para sacos, capas impermeáveis, plataformas, etc., que não sejam aprovados pela Nuna podem danificar ou tornar este carrinho de bebê inseguro.

Os pneus de borracha podem deixar marcas pretas em superfícies lisas como parquet, pavimento laminado e em linóleo.

PERIGO DE ESTRANGULAMENTO NÃO coloque artigos com fios à volta do pescoço da criança, pendure fios neste produto nem ate fios a brinquedos.

Para evitar o risco de asfixia, remova todos os revestimentos de plástico antes de utilizar este artigo e destrua-os ou mantenha-os fora do alcance de bebês e crianças!

Para evitar condições perigosas e instáveis, não coloque mais de 4,5 kg no cesto de armazenamento e mais de 0,45 kg no bolso de armazenamento.

UTILIZE a posição mais reclinada para bebês recém-nascidos.

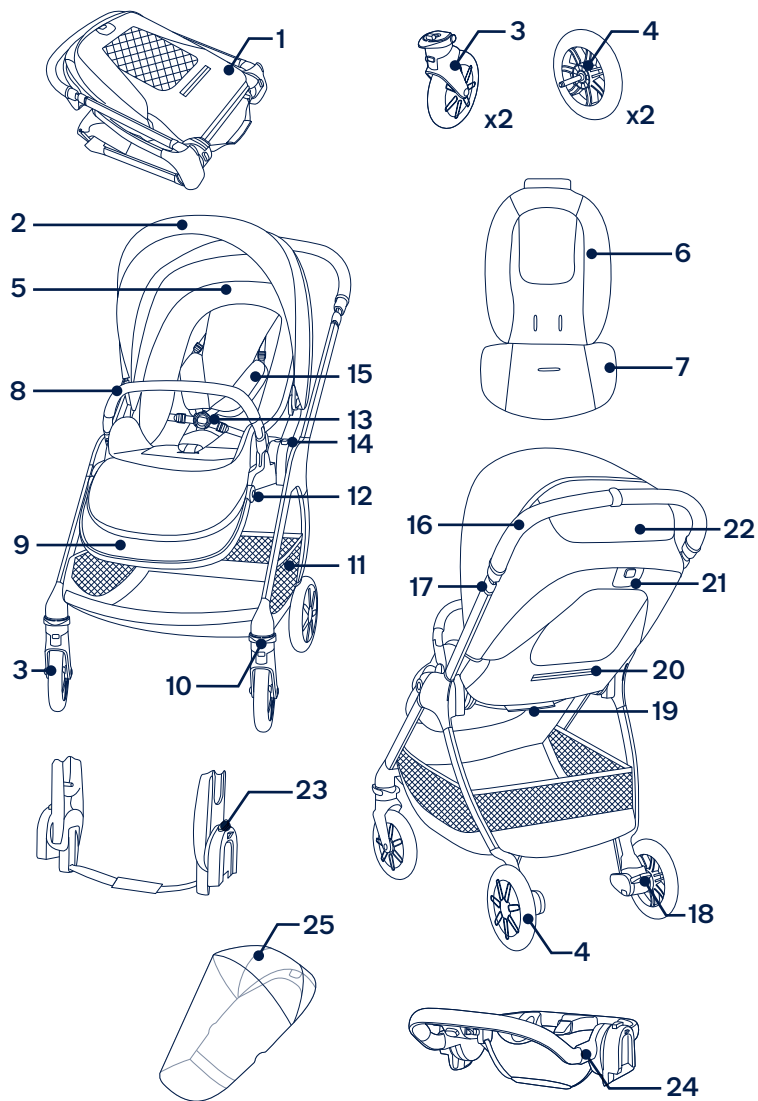
O carrinho de bebê deve ser utilizado por crianças até 22 kg. Se a criança for mais pesada, o carrinho de bebê pode danificar-se.

PT

Lista de componentes

Certifique-se de que todas as peças estão disponíveis antes da montagem. Se alguma peça estiver em falta, contacte o revendedor local. Não são necessárias ferramentas para a montagem.

- | | | |
|----|--|--|
| 1 | Estrutura do carrinho de bebé | cadeira |
| 2 | Cobertura | 15 Almofada das alças |
| 3 | Roda dianteira (x2) | 16 Pega |
| 4 | Roda traseira (x2) | 17 Botão de ajuste da pega |
| 5 | Capa de tecido acolchoado | 18 Alavanca do travão |
| 6 | Redutor A | 19 Mecanismo de bloqueio |
| 7 | Redutor B (não deve ser utilizado sozinho) | 20 Bolso de armazenamento (carga máxima = 0,45 kg) |
| 8 | Barra de proteção frontal | 21 Botão de ajuste da reclinção/botão de desbloqueio de dobragem |
| 9 | Apoio da perna | 22 Janela da cobertura |
| 10 | Bloqueio giratório | 23 Adaptadores |
| 11 | Cesto de armazenamento | 24 Aro adaptador para cadeira |
| 12 | Botão de ajuste do apoio da perna | 25 Capa impermeável |
| 13 | Fivela | |
| 14 | Botão de desbloqueio da | |



Montagem do produto

Abrir o carrinho de bebê

- 1 - Retire a estrutura do carrinho de bebê. (1)
- 2 - Rode a pega para cima para abrir a estrutura do carrinho de bebê. (2)
- 3 - Puxe a cadeira para a abrir. (3)
O som de um **clique** indica que a cadeira está aberta.
Verifique se o carrinho de bebê está completamente aberto e bloqueado antes de continuar.

Trocar a cadeira

Troque a cadeira, se necessário.

- 1 - Pressione o botão de desbloqueio da cadeira (4)-1 e levante-a (4)-2.
- 2 - Vire a cadeira e encaixe-a na estrutura. (5)
O som de um **clique** indica que a cadeira está completamente encaixada.

Rodas dianteiras

- 1 - Introduza a roda dianteira na perna dianteira. (6)
O som de um **clique** indica que a roda dianteira está totalmente montada.
Verifique se a roda está devidamente encaixada puxando-a para fora.
Repita no lado oposto.
- 2 - Para remover a roda dianteira, pressione o botão de desbloqueio (7)-1 e desencaixe a roda dianteira da perna dianteira (7)-2.

Rodas traseiras

- 1 - Introduza a roda traseira na perna traseira. (8)
O som de um **clique** indica que a roda traseira está totalmente montada.
Verifique se a roda está devidamente encaixada puxando-a para fora.
Repita no lado oposto.
- 2 - Para remover a roda traseira, pressione o botão de desbloqueio (9)-1 e desencaixe a roda traseira da perna traseira (9)-2.

Barra de proteção frontal

- ! Prenda sempre a criança com as alças. A barra de proteção frontal não é um dispositivo de retenção.
- 1 - Alinhe as extremidades da barra de proteção frontal com os suportes da barra de proteção frontal e introduza até ouvir um clique e ficar no lugar. (10)
O som de um **clique** indica que a barra de proteção frontal está totalmente montada.
 - 2 - Para remover a barra de proteção frontal, pressione os botões de desbloqueio da barra de proteção frontal (11)-1 e retire a barra de proteção frontal (11)-2.

Verificar a montagem

- A estrutura do carrinho de bebê está aberta e bloqueada
- Cadeira do carrinho de bebê devidamente encaixada
- As rodas traseiras e dianteiras estão devidamente encaixadas
- A barra de proteção frontal está devidamente encaixada

Utilização do produto

Prender a criança

- 1 - Pressione o botão central na fivela para soltar o bloqueio das fivelas, remova os ganchos e coloque a criança na cadeira do carrinho de bebê. **(12)**
- 2 - Una a fivela dos ombros e a fivela da cintura. **(13)**
- 3 - Prenda a fivela dos ombros e a fivela da cintura no bloqueio das fivelas e repita no lado oposto. **(14)**
- 4 - Ajuste as alças confortavelmente ao corpo da criança puxando as correias de ajuste para apertar **(15)-1**. Em seguida, retire as correias de ajuste da cintura **(15)-2**.

Posição das alças

- 1 - As fivelas superiores das alças podem mover-se para cima e para baixo para um maior ajuste. **(16)**
- ! Para evitar lesões graves como consequência de quedas ou deslizamentos, prenda sempre a criança com as alças.
- Certifique-se de que as alças estão devidamente ajustadas e a criança segura. O espaço entre a criança e as alças deve ter a espessura aproximada de um dedo.
- NÃO** cruze as correias dos ombros. Se fizer, estará a pressionar o pescoço da criança.

Cobertura

- 1 - Para abrir a cobertura, puxe-a para a frente da cadeira e, empurre-a para trás para dobrar. **(17)**
- 2 - Abra o fecho da cobertura para ter mais sombra. **(18)**
- 3 - Para maior ventilação, destape a janela da cobertura. **(19)**

Reclinar

O apoio das costas apresenta 4 posições de reclinção.

- 1 - Para subir ou descer o apoio das costas, pressione o botão de ajuste da reclinção **(20)-1** e puxe o apoio das costas para cima ou para baixo **(20)-2**.
- ! Não pressione o botão **(20)-3** no meio da pega do botão de ajuste da reclinção ao ajustar o ângulo de reclinção. Certifique-se de que a reclinção está corretamente ajustada.

Apoio da perna

O apoio da perna apresenta 2 posições de utilização.

- 1 - Levante o apoio da perna para subi-lo.
- 2 - Para baixar o apoio da perna, pressione o botão de ajuste **(21)-1** e pressione para baixo **(21)-2**.

Pega

A pega possui 5 posições.

- 1 - Para ajustar a altura da pega, pressione o botão de ajuste **(22)-1** e empurre a pega para cima ou para baixo **(22)-2**.

Travão

- 1 - Para bloquear as rodas traseiras, pise a alavanca do travão. **(23)**
 - 2 - Para desbloquear as rodas traseiras, levante a alavanca do travão. **(24)**
- ! Acione o travão sempre que parar o carrinho do bebê. Empurre ligeiramente o carrinho de bebê para garantir que o travão está acionado.

Bloqueios giratórios dianteiros

Recomenda-se a utilização dos bloqueios giratórios dianteiros em superfícies irregulares.

- 1 - Puxe o bloqueio giratório dianteiro para bloquear a roda dianteira. (25)
- 2 - Pressione o bloqueio giratório para baixo para desbloquear. (26)

Dobrar

O carrinho de bebé pode ser dobrado com a cadeira virada para a frente ou virada para trás ou sem a cadeira. Antes de dobrar o carrinho de bebé, ajuste a pega para a posição inferior e certifique-se de que os bloqueios giratórios dianteiros estão desbloqueados.

- 1 - Dobre a cobertura. (27)
 - 2 - Pressione o botão de desbloqueio de dobragem (28)-1 no meio do botão de ajuste da reclinación e, em seguida, aperte o botão de ajuste da reclinación (28)-2.
 - 3 - Dobre a cadeira. (29)
 - 4 - Puxe o mecanismo de bloqueio da cadeira para dobrar o carrinho de bebé. (30)
 - 5 - O carrinho de bebé com a cadeira virada para a frente pode ficar apoiado nas rodas e com a cadeira virada para trás na pega e nas rodas traseiras. (31)
 - 6 - Pressione o botões de dobragem dos suportes da cadeira. (32)
 - 7 - Dobre o carrinho de bebé. (33)
- ! O carrinho de bebé sem cadeira pode ficar apoiado pela pega e as rodas traseiras.

Redutor

- 1 - Para montar o redutor, coloque o redutor sobre a cadeira e passe as alças e os cintos subabdominal e das virilhas através das respetivas ranhuras. (34)
- 2 - Una os velcros. (35)

Acessórios

- ! Alguns modelos não incluem todos os acessórios estão incluídos.

Adaptadores

Para montagem e utilização do transportador Nuna e da alfofa TRIV, consulte o manual de instruções do transportador e da alfofa.

- 1 - Para encaixar os adaptadores, coloque-os nos suportes da cadeira. O som de um clique indica que os adaptadores estão encaixados. (36)(37)
- 2 - Para encaixar o transportador, coloque o transportador nos adaptadores. O “clique” indica que o transportador está encaixado. (38)
- 3 - Para encaixar a alfofa, coloque a alfofa nos adaptadores. O “clique” indica que a alfofa está encaixada. (39)
- 4 - O transportador pode ser instalado no adaptador virado para trás ou para a frente. (40)
- 5 - A alfofa pode ser instalada nos adaptadores virada para trás ou para a frente. (41)
- 6 - Para remover o transportador, pressione os botões de desbloqueio do mesmo (42)-1 e levante-o (42)-2.

7 - Para remover a alcofa, pressione os botões de desbloqueio na lateral da alcofa **(43)-1** e levante-a **(43)-2**.

8 - Para remover os adaptadores, pressione os botões de desbloqueio dos adaptadores **(44)-1** e levante-os **(44)-2**.

! Remova o transportador e a alcofa antes de dobrar.

Dobrar o carrinho de bebê com adaptadores

Antes de dobrar o carrinho de bebê com adaptadores, ajuste a pega para a posição inferior e certifique-se de que os bloqueios giratórios dianteiros estão desbloqueados.

1 - Puxe o mecanismo de bloqueio dos adaptadores para dobrar o carrinho de bebê. **(45)**

! O carrinho de bebê com adaptadores pode ficar apoiado pela pega e as rodas traseiras.

Aro adaptador para cadeira

Para montagem e utilização no transportador Nuna, consulte o manual de instruções do transportador.

1 - Para encaixar o aro adaptador para cadeira, coloque-o no suporte da cadeira. **(46)** O som de um **clique** significa que o aro adaptador para cadeira está bloqueado.

2 - Para encaixar o transportador, coloque-o sobre o aro adaptador para cadeira. O “**clique**” indica que o transportador está encaixado. **(47)**

3 - O transportador e o aro adaptador para cadeira podem ser encaixados virados para a frente ou para trás. **(48)**

4 - Para remover o transportador, solte o bloqueio de segurança secundário do adaptador **(49)-1** e, em seguida, pressione o botão de desbloqueio na traseira do transportador **(49)-2** e levante-o **(49)-3**.

5 - Para remover o aro adaptador para cadeira, pressione os botões de desbloqueio do adaptador **(50)-1** e levante-o **(50)-2**.

! Remova o transportador antes de dobrar.

Dobrar o carrinho de bebê com o aro adaptador para cadeira

Antes de dobrar o carrinho de bebê com aro adaptador para cadeira, ajuste a pega para a posição inferior e certifique-se de que os bloqueios giratórios dianteiros estão desbloqueados.

1 - Puxe o mecanismo de bloqueio do aro adaptador para cadeira para dobrar o carrinho de bebê. **(51)**

! O carrinho de bebê com aro adaptador para cadeira pode ficar apoiado pela pega e as rodas traseiras.

Capa impermeável para a TRIV

Certifique-se de que a cobertura está completamente aberta antes de encaixar a capa impermeável.

1 - Para instalar a capa impermeável, coloque-a sobre o carrinho de bebê. **(52)**

! Verifique **SEMPRE** a ventilação quando a capa impermeável estiver instalada no produto.

Verifique **SEMPRE** se a capa impermeável foi limpa e seca antes de a dobrar.

NÃO dobre o carrinho de bebê com a capa impermeável encaixada.

NÃO coloque a criança no carrinho de bebê com a capa impermeável em tempo quente.

Retirar e montar a capa de tecido

Para remover as capas de tecido acolchoado, siga os passos (53) - (66), conforme ilustrado. Para instalar novamente as capas de tecido acolchoado, siga os passos acima em ordem inversa.

Limpeza e manutenção

Limpe a estrutura, peças de plástico e o tecido com um pano humedecido sem utilizar produtos abrasivos ou lixívia. Não utilize lubrificantes de silicone, pois os mesmos atraem sujeira e gordura. Não armazene o carrinho de bebê num local húmido.

Limpe as rodas do carrinho de bebê regularmente com água e remova qualquer sujeira.

Para garantir uma utilização duradoura, limpe o carrinho de bebê com um pano macio e absorvente após a utilização em tempo chuvoso.

Consulte as instruções de lavagem e secagem na etiqueta afixada na capa de tecido.

É normal que o tecido exiba cores desvanecidas devido à luz solar e que apresente desgaste após um longo período de utilização, mesmo quando utilizado de forma normal.

Por motivos de segurança, utilize apenas peças originais da Nuna.

Verifique regularmente se tudo funciona corretamente. Se alguma peça estiver rasgada, partida ou em falta, interrompa a utilização deste produto.

NUNA International B.V. Nuna e todos os logótipos associados são marcas comerciais.

**WAŻNE!
PRZED UŻYCIEM
PROSIMY ZAPOZNAĆ
SIĘ Z ZAWIERAJĄCĄ
WAŻNE INFORMACJE
INSTRUKCJĄ I
ZACHOWAĆ JĄ NA
PRZYSZŁY UŻYTEK.
CZYTAJ UWAŻNIE.**

Spis treści

Informacje o produkcie	145
Rejestracja produktu	
Gwarancja	
Kontakt	
Przeznaczenie dla dziecka	146
Ostrzeżenia	147
Lista części	151
Składanie produktu	153
Obsługa produktu	155
Akcesoria	158
Demontaż i montaż tapicerki siedziska	161
Czyszczenie i konserwacja	162

Informacje o produkcji

Numer modelu: _____

Data produkcji: _____

Rejestracja produktu

Prosimy o uzupełnienie powyższych informacji. Numer modelu oraz data produkcji znajdują się na naklejce pod ramą wózka.

Aby zarejestrować swój produkt odwiedź stronę internetową:

www.nunababy.com

Kliknij łącze „Zarejestruj produkt” na stronie domowej.

Gwarancja

Nasze wysokiej jakości produkty zaprojektowaliśmy tak, aby mogły rosnąć razem z Twoim dzieckiem, jak również z całą rodziną. Ponieważ jesteśmy przekonani o jakości naszych produktów, dlatego objęte one są gwarancją konsumencką już od dnia jego zakupu. Zachowaj dowód zakupu, numer modelu oraz datę produkcji podczas kontaktu w sprawie gwarancji.

W celu uzyskania informacji na temat gwarancji, odwiedź naszą stronę internetową:

www.nunababy.com

Kliknij łącze „Gwarancja” na stronie domowej.

Kontakt

W celu uzyskania informacji na temat części zamiennych, serwisu lub jakichkolwiek dodatkowych pytań należy skontaktować się z naszym działem obsługi klienta.

info@nunababy.com

www.nunababy.com

W Polsce:

serwis@akpol.com.pl

www.nunababy.com/pl

Zakres zastosowania

Przeznaczenie dla dziecka

Ten wózek przeznaczony jest dla dzieci, które spełniają poniższe wymagania:

Od urodzenia do 22 kg lub do wieku 4 lat.

Kiedy używasz wózka TRIV z gondolą lub fotelikiem z serii Pipa zapoznaj się z wymiarami dziecka, dla którego przeznaczony jest dany produkt, zawartymi w instrukcjach obsługi tych produktów.

⚠️ OSTRZEŻENIE

Niedostosowanie się do poniższych ostrzeżeń oraz instrukcji może w rezultacie narazić dziecko na poważny uszczerbek na zdrowiu lub nawet śmierć.

Zawsze używaj systemu zapieć.

Sprawdź, czy urządzenia mocujące gondolę lub siedzisko lub fotelik samochodowy są prawidłowo załączone przed użyciem.

Nie pozwalaj dziecku bawić się tym wyrobem.

Upewnij się przed użyciem, czy wszystkie urządzenia blokujące są włączone.

Nigdy nie zostawiaj dziecka bez opieki.

Niniejszy wyrób nie jest odpowiedni do biegania ani jazdy na rolkach.

Aby uniknąć ryzyka przytrzaśnięcia palców, zachowaj ostrożność podczas składania i rozkładania tego wózka.

Aksesoria, które nie zostały zatwierdzone przez firmę Nuna nie powinny być używane. Używaj tylko części zamiennych rekomendowanych przez firmę Nuna.

Montaż powinien być wykonany przez osobę dorosłą.

Zawsze używaj hamulca, kiedy zatrzymujesz wózek.

Nie podlegają reklamacji uszkodzenia produktu spowodowane przez użycie akcesoriów innych niż marki Nuna.

Każdy dodatkowy ciężar zawieszony na rączce wpływa na stabilność wózka.

Upewnij się, że wózek jest całkowicie rozłożony lub zatrzaśnięty, zanim pozwolisz dziecku przebywać w pobliżu wózka.

Pod żadnym pozorem nie przewoź dodatkowych dzieci, przedmiotów czy akcesoriów w lub na wózku (chyba, że są one dozwolone w tej instrukcji obsługi). Mogą one spowodować, niestabilność wózka.

Nie zostawiaj produktu w bezpośrednim działaniu silnego źródła ciepła jak np. kaloryfer czy ogień.

Nie umieszczaj żadnych przedmiotów na budce.

Nie przechowuj produktu w wilgotnych miejscach. Pozwól, aby wszystkie materiały wyschły naturalnie z dala od bezpośredniego źródła ciepła.

Pod żadnym pozorem nie używaj koszyka na zakupy jako nosidełka dla dziecka.

Zaprzestań korzystania z produktu, jeśli jakaś część jest uszkodzona lub zepsuta.

Wózek używany wraz z fotelikiem nie stanowi zamiennika dla łóżka. Jeżeli Twoje dziecko potrzebuje snu, powinno zostać przeniesione do innego produktu jak np. do łóżeczka.

Nie zaleca się samodzielnego stosowania wkładki B.

Trzymaj małe części z dala od dzieci, aby uniknąć ryzyka zadławienia się nimi.

Ostrożnie wjeżdżaj na krawężniki oraz nierówną i wyboistą nawierzchnię. Narażanie produktu na powtarzające się działanie sił zewnętrznych może doprowadzić do jego uszkodzenia.

Pod żadnym pozorem nie pozwól dziecku stawać w wózku.

NIGDY nie przewoź więcej niż jedno dziecko w wózku.

NIGDY nie używaj wózka na schodach lub schodach ruchomych. Możesz stracić kontrolę nad wózkiem lub Twoje dziecko może wypaść z wózka.

Uprząż musi być zawsze właściwie dopasowana. Uprząż nigdy jednak nie zastąpi odpowiedniego nadzoru ze strony rodziców.

Hamulec musi być zawsze włączony podczas wkladania i wyciągania dziecka z wózka.

Przetadowania, nieprawidłowe składanie oraz używanie akcesoriów, takich jak fotelik dziecięcy, haki na torbę, ochrona przeciwdeszczowa, itp... inne niż te zatwierdzone przez firmę Nuna mogą spowodować zagrożenie i sprawić, że wózek nie będzie bezpieczny.

Opony mogą zostawiać czarne ślady na powierzchni w szczególności na parkiecie, laminacie czy linoleum.

Aby uniknąć ryzyka uduszenia się dziecka, nie umieszczaj przedmiotów posiadających sznurki wokół szyi dziecka, nie zawieszaj sznurków wokół wózka oraz nie doczepiaj ich do zabawek.

Aby uniknąć ryzyka uduszenia się dziecka, usuń wszystkie folie i plastikowe elementy ochronne produktu i zniszcz je lub schowaj tak, aby dziecko nie miało do nich dostępu.

Aby uniknąć sytuacji, w której wózek będzie niestabilny, nie wkładaj do koszyka przedmiotów o wadze większej niż 4,5 kg, a do kieszonki większej niż 0,45kg.

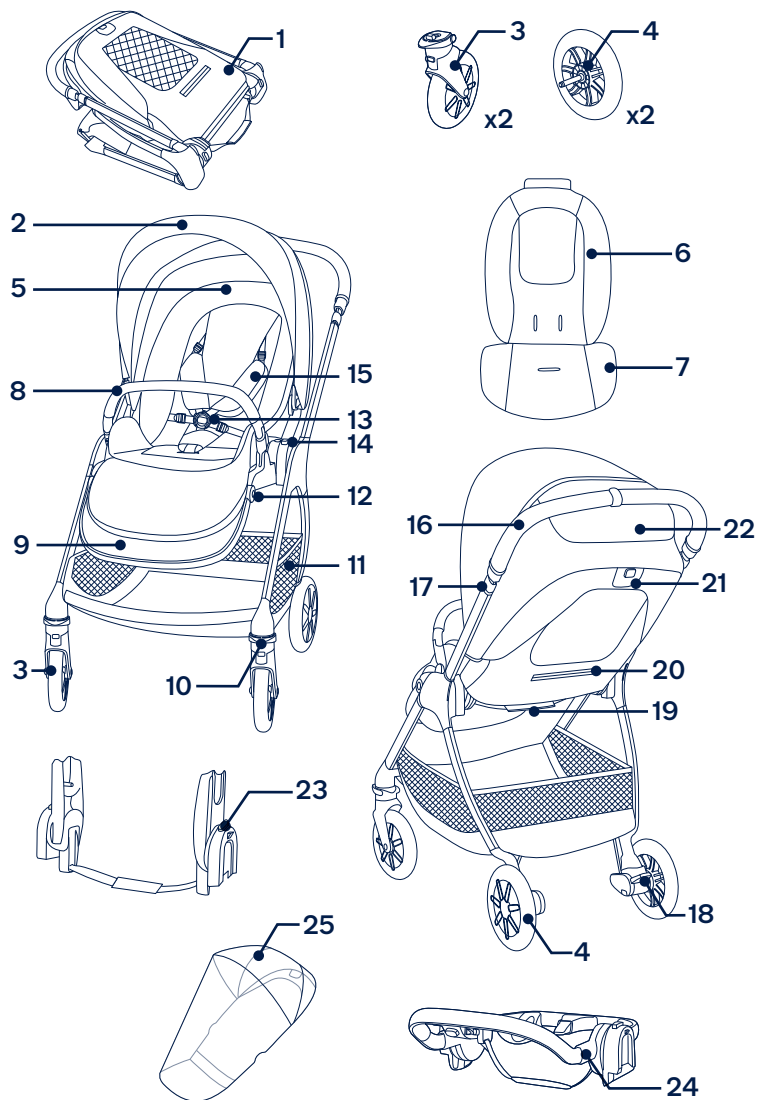
W przypadku nowo narodzonych dzieci, używać wózka w najbardziej leżącej pozycji.

Używaj wózka z dzieckiem ważącym nie więcej niż 22kg. Wózek uszkodzi się, jeżeli zostanie przewożone dziecko o wyższej wadze.

Lista części

Upewnij się, że wszystkie części znajdują się w zestawie zanim rozpoczniesz montaż. Jeżeli brakuje jakiegokolwiek części, skontaktuj się ze swoim sprzedawcą. Montaż nie wymaga użycia żadnych dodatkowych narzędzi.

- | | | | |
|----|---|----|---|
| 1 | Stelaż wózka | 15 | Nakładki na pasy |
| 2 | Budka | 16 | Rączka |
| 3 | Koło przednie (x2) | 17 | Przycisk regulacji rączki |
| 4 | Koło tylne (x2) | 18 | Dźwignia hamulca |
| 5 | Siedzisko | 19 | Taśma zwalnijająca |
| 6 | Wkładka A | 20 | Kieszonka (maksymalny ładunek = 0,45 kg) |
| 7 | Wkładka B (nie zaleca się samodzielnego stosowania) | 21 | Uchwyt do regulacji odchylenia oparcia/Przycisk składania |
| 8 | Pałak | 22 | Okienko |
| 9 | Podnóżek | 23 | Adaptory |
| 10 | Blokada obrotu | 24 | Adapter ring do fotelika |
| 11 | Koszyk | 25 | Folia przeciwdeszczowa |
| 12 | Przycisk regulacji podnóżka | | |
| 13 | Klamra | | |
| 14 | Przycisk składania stelaża | | |



Składanie produktu

Rozkładanie wózka

- 1 - Przygotuj stelaż wózka. (1)
- 2 - Przekręć rączkę do góry, aby rozłożyć wózek. (2)
- 3 - Pociągnij za siedzisko, aby je rozłożyć. (3)
Dźwięk **"kliknięcia"** oznacza, że wózek jest całkowicie rozłożony.
Upewnij się, że wózek jest w całości rozłożony, zanim będziesz kontynuował.

Zmiana kierunku ustawienia siedziska

Siedzisko może być montowane tyłem lub przodem do kierunku jazdy.

- 1 - Naciśnij przycisk zwalniający siedzisko (4)-1 i wymontuj je. (4)-2
- 2 - Obróć siedzisko i osadź na mocowaniach stelaża wózka. (5)
Dźwięk **"kliknięcia"** oznacza, że siedzisko jest zamocowane.

Montaż przednich kół

- 1 - Zamocuj przednie koła do przednich nóg. (6)
Dźwięk **"kliknięcia"** oznacza, że koła są poprawnie założone.
Sprawdź, czy koła zostały poprawnie zamocowane poprzez pociągnięcie ich w dół.

- 2 - Aby zdemontować przednie koło, naciskaj jednocześnie przycisk zwalniający (7)-1 i zdejmij przednie koło z przedniej nogi (7)-2.

Montaż tylnych kół

- 1 - Zamocuj tylne koła do tylnych nóg. (8)
Dźwięk **"kliknięcia"** oznacza, że koła są poprawnie założone. (9)
Sprawdź, czy koła zostały poprawnie zamocowane poprzez pociągnięcie ich w dół.
- 2 - Aby zdemontować tylne koło, naciskaj jednocześnie przycisk zwalniający (9)-1 i zdejmij tylne koło z tylnej nogi (9)-2.

Montaż pałąka

- ! Zawsze przypinaj dziecko uprzężą. Pałąk nie służy do przytrzymywania dziecka w wózku.
- 1 - Dopasuj końcówki pałąka do końcówek mocowania w stelażu, a następnie wciśnij, żeby zablokować. (10)
Dźwięk **kliknięcia** oznacza, że montaż został zakończony.
 - 2 - Aby zdemontować pałąk wciśnij przycisk po obu stronach (11)-1, a następnie pociągnij pałąk. (11)-2

Sprawdź czy

- Stelaż wózka jest zablokowany po rozłożeniu.
- Siedzisko jest pewnie zamocowane na stelażu wózka.
- Przednie i tylne koła są bezpiecznie zamontowane.
- Pałąk jest bezpiecznie zamontowany.

Użycie produktu

Zabezpiecz swoje dziecko

- 1 - Naciśnij centralny przycisk na klamrze, aby odpiąć zatrzask klamry, następnie zdejmij klipsy. (12)
- 2 - Połącz klamrę pasów naramiennych z klamrą pasa biodrowego. (13)
- 3 - Zabezpiecz klamrę pasa naramiennego i biodrowego w klamrze zapinającej i powtórz po przeciwnej stronie. (14)
- 4 - Dopasuj naciągnięcie pasów (uprząży) do Twojego dziecka poprzez pociągnięcie do góry klamerek regulujących (15)-1. Następnie pociągnij paski regulujące na biodrach (15)-2.

Regulacja pozycji pasów naramiennych

- 1 - Klamry w górnych ramiennych pasach mogą być przesuwane w dół i w górę, aby wyregulować ich długość. (16)
- ! Aby uniknąć poważnych obrażeń spowodowanych wypadnięciem dziecka lub wyślizgnięciem się dziecka z wózka, upewnij się, że zawsze ma ono zapięte pasy. Upewnij się, że Twoje dziecko jest dobrze zabezpieczone. Przestrzeń pomiędzy ciałem dziecka, a górnym pasem nie powinna przekraczać grubości jednego palca.
- NIE** krzyżuj pasów ramiennych, ponieważ skutkować to będzie naciskiem na szyję dziecka.

Budka

- 1 - Aby rozłożyć budkę, należy pociągnąć do przodu, a w odwrotnym kierunku – aby złożyć. (17)
- 2 - Odepnij zamek w budce dla lepszej ochrony przed światłem. (18)
- 3 - Otwórz okienko w budce dla lepszej wentylacji. (19)

Regulacja odchylenia oparcia

Można regulować oparcie w 4 pozycjach.

- 1 - Aby podnieść lub opuścić oparcie, naciśnij przycisk regulacji oparcia (20)-1 i podnieś oparcie do góry lub opuść w dół. (20)-2.
- ! Nie należy naciskać przycisku (20)-3 na środku przycisku regulacji nachylenia podczas regulacji kąta nachylenia. Upewnij się, że nachylenie jest ustawione prawidłowo do używania.

Regulacja podnóżka

Podnózek może być ustawiony w 2 pozycjach.

- 1 - Aby podnieść pociągnij podnózek do góry.
- 2 - Aby obniżyć naciśnij przycisk regulacji podnóżka (21)-1, a następnie go obniż (21)-2.

Rączka

Rączka posiada 5 pozycji regulacji wysokości.

- 1 - Aby dopasować wysokość rączki, naciśnij przycisk regulacji rączki (22)-1, następnie pociągnij za rączkę do góry lub w dół (22)-2.

Hamulec

- 1 - Aby zablokować tylne koła, naciśnij na dźwignię hamulca. (23)
 - 2 - Aby odblokować tylne koła, podnieś dźwignię hamulca do góry. (24)
- ! Zawsze używaj hamulca podczas postoju. Pchnij delikatnie wózek dla sprawdzenia, że hamulec został załączony.

Blokada przednich kół

Zaleca się używać blokadę przednich kół obrotowych na nierównych powierzchniach.

- 1 - Pociągnij blokadę obrotową do góry, aby zablokować przednie koła. (25)
- 2 - Aby odblokować, pociągnij blokadę w dół. (26)

Składanie wózka

Wózek może zostać złożony z siedziskiem skierowanym przodem, tyłem do kierunku jazdy lub bez niego. Przed złożeniem wózka należy ustawić rączkę w najniższym położeniu i upewnić się, czy blokady obrotu kół przednich są odblokowane.

- 1 - Złóż budkę. (27)
- 2 - Wciśnij przycisk składania siedziska znajdujący się w środkowej części uchwytu (28)-1 i pociągnij uchwyt w górę (28)-2.
- 3 - Złóż siedzisko. (29)
- 4 - Pociągnij taśmę zwalniającą, aby złożyć wózek. (30)

- 5 - Stelaż złożony wraz z siedziskiem skierowanym przodem do kierunku jazdy może stać na kołach, a z siedziskiem skierowanym tyłem do kierunku jazdy może stać oparty na rączce i tylnych kołach. (31)

- 6 - Naciśnij przyciski składania stelaża. (32)

- 7 - Złóż wózek. (33)

! Złożony wózek wraz z siedziskiem może stać oparty na rączce i tylnych kołach.

Wkładka

- 1 - Aby zamontować wkładkę, umieść ją na siedzisku, przeciągnij pasy naramienne, biodrowe oraz na kroczce przez otwory. (34)
- 2 - Zamocuj na rzepy. (35)

Akcesoria

! Nie wszystkie akcesoria są dołączone do pewnych modeli.

Adaptory

Kiedy używasz wózka z fotelikiem z serii Pipa lub gondolą zapoznaj się z instrukcjami obsługi tych produktów.

- 1 - Aby zamontować adaptory, umieść je na mocowaniach siedziska. Dźwięk kliknięcia oznacza, że adaptory są zamontowane. (36)(37)
- 2 - Aby zamontować fotelik, należy umieścić go na zamontowanych adapterach. Dźwięk kliknięcia oznacza, że fotelik jest zamontowany. (38)

- 3 - Aby zamontować gondolę, należy umieścić ją na zamontowanych adapterach. Dźwięk kliknięcia oznacza, że gondola jest zamontowana. (39)
 - 4 - Fotelik może być zamontowany na adapterach przodem lub tyłem do kierunku jazdy. (40)
 - 5 - Gondola może być zamontowana na adapterach przodem lub tyłem do kierunku jazdy. (41)
 - 6 - Aby odczepić fotelik, naciśnij przyciski zwalniające z fotelika (42)-1 i go podnieś (42)-2.
 - 7 - Aby odczepić gondolę, naciśnij przyciski zwalniające po bokach (43)-1 i ją podnieś (43)-2.
 - 8 - Aby usunąć adaptery, pociągnij taśmę zwalniającą (44)-1 i unieś adapter do góry (44)-2.
- ! Zdemontuj fotelik lub gondolę przed złożeniem wózka.

Składanie wózka z adapterami

Przed złożeniem wózka z adapterami, należy ustawić rączkę w najniższym położeniu i upewnić się, czy blokady obrotu kół przednich są zwolnione.

- 1 - Pociągnij uprząż zwalniającą, aby złożyć wózek. (45)
- ! Wózek z adapterami może stać oparty na rączce i tylnych kołach.

Adapter ring do fotelika

Kiedy używasz wózka z fotelikiem z serii Pipa zapoznaj się z instrukcją obsługi tego produktu.

- 1 - Aby zamontować adapter ring, umieść go na mocowaniach siedziska. (46) Dźwięk kliknięcia oznacza, że adapter ring jest zamontowany.

- 2 - Aby zamontować fotelik samochodowy, należy umieścić go na zamontowanym adapterze ring. Dźwięk kliknięcia oznacza, że fotelik jest zamontowany. (47)
 - 3 - Fotelik samochodowy oraz adapter ring mogą być zamontowane przodem lub tyłem do kierunku jazdy. (48)
 - 4 - Aby odczepić fotelik, naciśnij przyciski zwalniające blokadę adaptera (49)-1, a następnie naciśnij przycisk zwalniania umieszczony z tyłu fotelika (49)-2 i go podnieś (49)-3.
 - 5 - W celu zdjęcia pierścienia adaptera fotela samochodowego, naciśnij przyciski zwalniania adaptera (50)-1 i unieś adapter (50)-2.
- ! Zdemontuj fotelik przed złożeniem wózka.

Składanie wózka z adapterem ring

Przed złożeniem wózka z adapterem ring należy ustawić rączkę w najniższym położeniu i upewnić się, czy blokady obrotu kół przednich są zwolnione.

- 1 - Pociągnij uprząż zwalniania adaptera ring, aby złożyć wózek. (51)
- ! Złożony wózek wraz z adapterem ring może stać oparty na rączce i tylnych kołach.

Folia przeciwdeszczowa TRIV

Sprawdź czy budka jest całkowicie rozłożona zanim założysz folię.

1 - Aby zamontować folię przeciwdeszczową, umieść ją na siedzisku wózka. **(52)**

! Zawsze upewnij się, że siedzisko ma odpowiednią wentylację, kiedy zamontowana jest folia przeciwdeszczowa.

Zawsze upewnij się, że folia jest czysta i sucha zanim ją złożysz.

NIE składaj wózka z nałożoną folią przeciwdeszczową.

NIE wkładaj swojego dziecka do wózka z zamontowaną folią przeciwdeszczową w upalne dni.

Demontaż i montaż tapicerki siedziska

Demontaż tapicerki siedziska pokazano na rys. **(53)** - **(66)** Aby ponownie zamontować tapicerkę, należy wykonać czynności w odwrotnej kolejności.

Czyszczenie i konserwacja

Czyść ramę i elementy plastikowe przy użyciu suchej ściereczki. Nie używaj druciaków ani wybielacza. Nie używaj lubrykantów ponieważ będą one gromadziły brud. Nie przechowuj wózka w wilgotnym miejscu.

Regularnie czyść koła przy pomocy wody.

Aby zapewnić długotrwałą żywotność produktu, przetrzyj go suchą ścierką po użyciu podczas deszczowej pogody.

Czyść miękkie elementy zgodnie z instrukcjami podanymi na ich metkach.

Normalnym jest, że materiały mogą wyblaknąć i przecierać się po długotrwałym użytkowaniu produktu.

Ze względów bezpieczeństwa używaj tylko oryginalnych części firmy Nuna.

Regularnie sprawdzaj, czy wózek działa prawidłowo. Jeśli jakaś część jest uszkodzona lub zepsuta, zaprzestań korzystania z produktu.

**DŮLEŽITÉ,
POKYNY SI POZORNĚ
PŘEČTĚTE A USCHOVEJTE
PRO POZDĚJŠÍ POUŽITÍ**

Obsah

Informace o produktu	165
Registrace produktu	
Záruka	
Kontakt	
Požadavky na používání s dítětem	166
Varování	167
Seznam dílů	171
Sestavení produktu	173
Používání produktu	175
Příslušenství	178
Sejmutí a montáž látkových částí	181
Čištění a údržba	181

Informace o produktu

Číslo modelu: _____

Datum výroby: _____

Registrace produktu

Vyplňte výše uvedené informace. Číslo modelu a datum výroby jsou uvedeny na štítku na rámu kočárku.

Svůj produkt můžete zaregistrovat na webu:

www.nunababy.com

Klikněte na odkaz „Registrace vybavení“ na domovské stránce.

Záruka

Naše vysoce kvalitní produkty jsou navrženy tak, aby mohly růst s vaším dítětem i s vaší rodinou. Na výrobek se vztahuje záruka 2 roky která začíná platit dnem jeho zakoupení. Než nás budete kontaktovat, připravte si doklad o zakoupení, číslo modelu a datum výroby.

Informace o záruce najdete na webu:

www.nunababy.com

Klikněte na odkaz „Záruka“ na domovské stránce.

Kontakt

V případě náhradních dílů, servisu nebo dalších dotazů k záruce kontaktujte prosím naše oddělení zákaznického servisu.

info@nunababy.com

www.nunababy.com

Požadavky na používání s dítětem

Tento kočárek je vhodný pro děti, které splňují následující požadavky:

Od narození po 22 kg nebo do 4 let podle toho, která podmínka bude splněna dříve

Při používání rámu kočárku s korbou TRIV nebo autosedačkou Nuna pro novorozence dodržujte požadavky na používání s dítětem, které jsou uvedeny v příslušných návodech.

⚠ UPOZORNĚNÍ

Nedodržení těchto varování a pokynů může vést k vážnému poranění nebo smrti.

Vždy používejte zádržný systém.

Před použitím zkontrolujte, zda jsou připevňovací zařízení lůžka nebo sedačky nebo autosedačky správně zaklesnuta.

Tento výrobek není hračka. Nedovolte dítěti, aby si s tímto výrobkem hrálo.

Před použitím si ověřte, že jsou všechny zajišťovací prvky zaklesnuty.

Nikdy nenechávejte dítě bez dozoru.

Tento výrobek není vhodný pro běhání nebo jízdu na bruslích.

Při skládání a rozkládání tohoto výrobku zajistěte, aby dítě nebylo v kočárku ani poblíž a nemohlo dojít k poranění dítěte.

Je zakázáno používat příslušenství, které nebylo schváleno výrobcem. Je dovoleno používat pouze náhradní díly, které byly dodány nebo doporučeny výrobcem/distributorem.

Sestavení smí provést pouze dospělá osoba.

Když zastavíte, **VŽDY** použijte parkovací brzdu.

Na jakékoli poškození způsobené používáním příslušenství, které nebylo dodáno společností Nuna, se nebude vztahovat záruka.

Jakákoli zátěž připevněná na držadlo a/nebo na zadní stranu opěráku a/nebo na boční strany vozidla sníží jeho stabilitu.

Než dovolíte svému dítěti, aby se přiblížilo ke kočárku, zkontrolujte, zda je kočárek zcela sestavený a zajištěný pojistkami.

NEVOZTE další děti, zboží, příslušenství v nebo na kočárku vyjma případů, které jsou v tomto návodu povoleny. Mohlo by dojít k omezení stability kočárku.

NENECHÁVEJTE tento kočárek v bezprostřední blízkosti silného zdroje tepla, například radiátoru nebo krbu.

NEUMÍSTUJTE žádné předměty na stříšku.

Kočárek **NESKLADUJTE** na vlhkém místě. Textil nechte vždy uschnout přirozeně mimo přímého tepla.

NEVOZTE dítě v úložném košíku.

Kočárek **NEPOUŽÍVEJTE**, pokud jsou některé části poškozené nebo chybí.

Používáte-li autosedačky v kombinaci s podvozkem, toto vozidlo nenahrazuje postýlku ani lůžko. Když vaše dítě potřebuje spát, uložte jej do vhodné hluboké korby, postýlky nebo na vhodné lůžko.

Nedoporučuje se používat vložku B zvlášť.

Malé předměty, které představují nebezpečí udušení, uchovávejte mimo dosah dětí.

Při zdolávání obrubníků a hrubého povrchu postupujte opatrně. Opakovaný náraz může kočárek poškodit.

V ŽÁDNÉM PŘÍPADĚ nedovolte dětem stát na kočárku.

V ŽÁDNÉM PŘÍPADĚ nepřevážejte v tomto kočárku více než jedno dítě.

V ŽÁDNÉM PŘÍPADĚ nepoužívejte tento kočárek na schodech nebo eskalátorech. Mohlo by dojít k náhlé ztrátě kontroly nad kočárkem nebo by vaše dítě mohlo vypadnout.

Postroj musí být vždy správně připevněn a seřizen. Postroj nenahrazuje řádný dohled dospělé osoby.

Při vkládání nebo vyjímání dětí musí být aktivována ruční brzda.

Přetěžování, nesprávné skládání a používání příslušenství, například dětských sedaček, háčků na tašky, pláštěnek, stupátek atd..., které nebyly schváleny společností Nuna, mohou kočárek poškodit nebo omezit jeho bezpečnost.

Gumové pneumatiky mohou zanechávat černé šmouhy na hladkém povrchu, například na parketách, laminátu nebo linoleu.

NEBEZPEČÍ UŠKRCENÍ Aby se zabránilo uškrcení, neumísťujte předměty s provázky okolo krku dítěte, nezavěšujte provázky z tohoto výrobku ani nepřivazujte provázky k hračkám.

Aby se zabránilo nebezpečí udušení, před používáním tohoto předmětu odstraňte a zlikvidujte všechny plastové kryty nebo je uchovávejte mimo dosah novorozenců a dětí!

Aby se zabránilo nebezpečné a nestabilní situaci, neumísťujte do úložného košíku více než 4,5 kg a do úložné kapsy více než 0,45 kg.

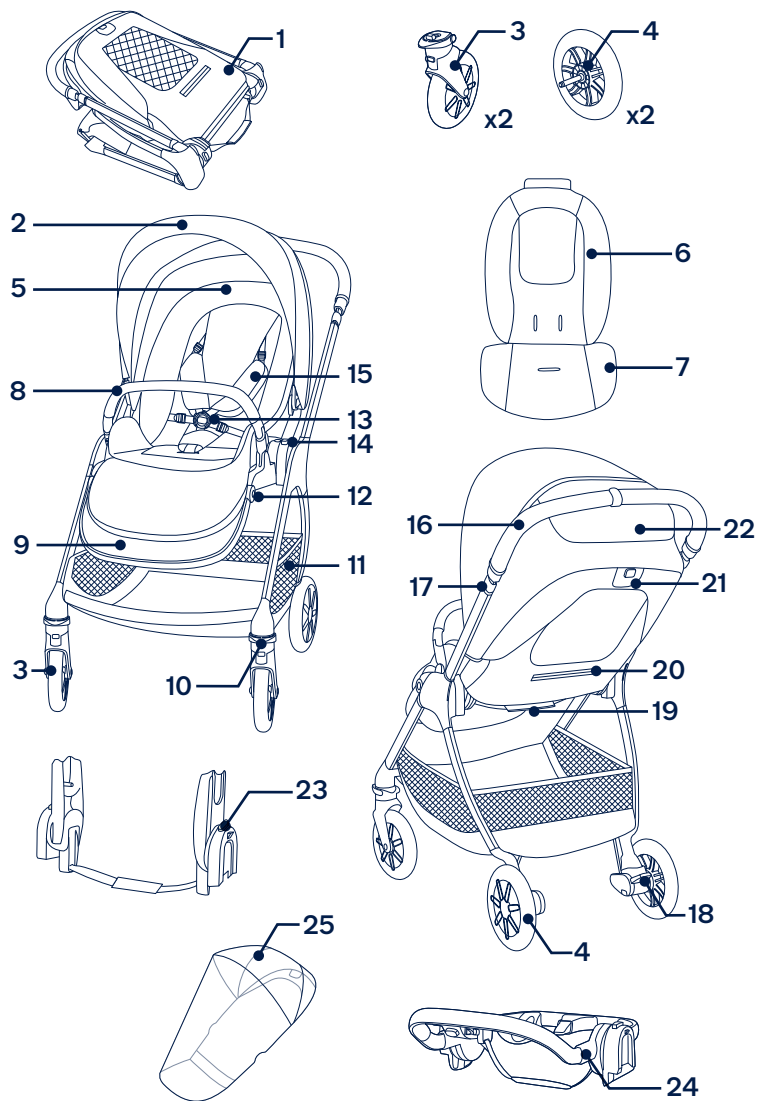
Pro novorozence **POUŽÍVEJTE** co nejvíce sklopenou polohu lůžka.

Tento kočárek používejte pouze s dítětem o hmotnosti do 22 kg. Při převážení nepřipoutaného dítěte dojde k poškození kočárku.

Seznam dílů

Před instalací se prosím ujistěte, že žádná část sestavy nechybí. V případě, že některá část chybí, kontaktujte prodejce. K sestavení nejsou zapotřebí žádné nástroje.

- | | | | |
|----|--|----|--|
| 1 | Rám kočárku | 15 | Vložky ramenního postroje |
| 2 | Stříška | 16 | Držadlo |
| 3 | Přední kolečko (x2) | 17 | Tlačítko nastavení držadla |
| 4 | Zadní kolečko (x2) | 18 | Páčka brzdy |
| 5 | Vložka sedačky | 19 | Popruh rozložení |
| 6 | Vložka A | 20 | Kapsa na uložení (maximální zatížení = 0,45 kg) |
| 7 | Vložka B (nedoporučuje se používat zvlášť) | 21 | Tlačítko nastavení sklonu/tlačítko uvolnění sklonu |
| 8 | Opěrka rukou | 22 | Okénko ve stříšce |
| 9 | Madlo | 23 | Základní adaptér |
| 10 | Zámek natáčení koleček | 24 | Oválný adaptér pro sedačku |
| 11 | Úložný košík | 25 | Pláštěnka |
| 12 | Tlačítko nastavení opěrky nohou | | |
| 13 | Přezka | | |
| 14 | Tlačítko uvolnění sedátka | | |



Sestavení produktu

Rozložení kočárku

- 1 - Vyměňte rám kočárku. (1)
- 2 - Pro rozložení rámu kočárku otočte držadlo nahoru. (2)
- 3 - Rozložte sedátko jeho zatlačením. (3)

Jakmile se ozve „cvaknutí“, znamená to, že sedátko je řádně rozloženo.

Než budete pokračovat, zkontrolujte, zda je kočárek zcela zajištěný.

Otočení sedačky

Otočte prosím sedačku, je-li třeba.

- 1 - Stiskněte tlačítko pro uvolnění sedátka (4)-1 a zvedněte sedátko nahoru (4)-2.
- 2 - Obráťte sedátko a poté ho připevněte k rámu. (5)

Jakmile se ozve „cvaknutí“, znamená to, že sedátko je řádně připevněno.

Přední kolečka

- 1 - Zasuňte přední kolečko do přední nohy. (6)
Jakmile se ozve „cvaknutí“, znamená to, že přední kolečko je správně nainstalováno.
Zatažením ověřte, zda je kolečko řádně nainstalováno.
Zopakujte na opačné straně.
- 2 - Chcete-li přední kolečko vyjmout, stiskněte uvolňovací tlačítko (7)-1 a vysuňte přední kolečko z přední nohy (7)-2.

Zadní kolečka

- 1 - Zasuňte zadní kolečko do zadní nohy. (8)
Jakmile se ozve „cvaknutí“, znamená to, že zadní kolečko je správně nainstalováno.
Zatažením ověřte, zda je kolečko řádně nainstalováno.
Zopakujte na opačné straně.
- 2 - Chcete-li zadní kolečko vyjmout, stiskněte uvolňovací tlačítko (9)-1 a vysuňte zadní kolečko ze zadní nohy (9)-2.

Opěrka rukou

- ! Vždy zajištěte své dítě postrojem. Opěrka rukou není zádržné zařízení.
- 1 - Zorientujte konce opěrky rukou s držáky opěrky rukou a zasuňte tak, aby zacvakly na místo. (10)
Jakmile se ozve „cvaknutí“, znamená to, že opěrka rukou je správně nainstalována.
 - 2 - Při odnímání opěrky rukou stiskněte uvolňovací tlačítka opěrky rukou (11)-1 a sejměte opěrku rukou (11)-2.

Kontrola sestavení

- Rám kočárku je rozložený se zajištěnými západkami
- Sedátko kočárku je bezpečně připevněno
- Zadní a přední kolečka jsou řádně připevněná
- Opěrka rukou je bezpečně připevněná

Používání produktu

Zajištění dítěte

- 1 - Stisknutím středového tlačítka na přezce uvolněte západku přezky. Vyjměte svorky a vložte dítě do kočárku. (12)
- 2 - Zapněte ramenní a bederní přezku. (13)
- 3 - Připevněte ramenní a bederní přezku k západce přezky a zopakujte postup na opačné straně. (14)
- 4 - Přizpůsobte postroj dítěti utažením stavěcích popruhů (15)-1. Potom utáhněte popruhy pro nastavení pasu (15)-2.

Poloha ramenního postroje

- 1 - Další nastavení lze provádět posouváním horních přezek ramenního postroje nahoru a dolů. (16)

! Aby se zabránilo pádu nebo vyklouznutí a vážnému zranění, vždy zajistěte své dítě postrojem.

Zajistěte, aby byl postroj řádně upraven a aby bylo vaše dítě těsně připoutáno. Mezi dítětem a ramenním postrojem musí být prostor přibližně na tloušťku jednoho prstu.

NEKŘÍŽTE ramenní pásy. Tím se vytváří tlak na krk dítěte.

Stříška

- 1 - Chcete-li otevřít stříšku, zatlačte ji směrem k přední části sedačky. Chcete-li stříšku složit, přitáhněte ji dozadu. (17)
- 2 - Rozepnutím zipu na stříšce zlepšíte zastínění. (18)

- 3 - Pro zajištění lepšího větrání otočte kryt okénka ve stříšce směrem nahoru. (19)

Sklon

K dispozici jsou 4 polohy sklonu opěrky.

- 1 - Chcete-li opěrku zvednout nebo spustit, stiskněte tlačítko nastavení sklonu (20)-1, a stlačte sedačku nahoru nebo dolů (20)-2.

! Prosím nedržte tlačítko (20)-3 pojistky polohování během úpravy úhlu náklonu. Ujistěte se, že náklon je řádně nastaven pro použití.

Opěrka nohou

Opěrka nohou má 2 polohy.

- 1 - Chcete-li opěrku nohou umístit výše, zvedněte ji.
- 2 - Chcete-li opěrku nohou nastavit níže, stiskněte pojistky (21)-1, a zatlačte opěrku směrem dolů (21)-2.

Rukojeť

Rukojeť má 5 poloh.

- 1 - Chcete-li upravit výšku rukojeti, zatáhněte za pojistky rukojeti (22)-1 a přitáhněte rukojeť nahoru nebo dolů (22)-2.

Brzda

- 1 - Chcete-li zablokovat zadní kolečka, šlápněte na páku brzd. (23)
- 2 - Chcete-li odblokovat zadní kolečka, zvedněte páku brzd. (24)

! Když se kočárek nepohybuje, vždy jej zabrzděte. Mírně zatlačte na kočárek a ověřte, zda je zabrzděný.

Zámky natáčení předních koleček

Na nerovném povrchu doporučujeme zablokovat natáčení předních koleček.

- 1 - Vysunutím zámku natáčení předního kolečka zablokujete přední kolečko. (25)
- 2 - Zatlačením zámku natáčení předního kolečka odblokujete natáčení. (26)

Skládání

Kočárek lze složit se sedátkem v orientaci po směru nebo proti směru jízdy nebo bez sedátka. Před složením kočárku nastavte rukojeť do nejnižší polohy a zkontrolujte, zda není zablokováno natáčení předních koleček.

- 1 - Složte stříšku. (27)
 - 2 - Stiskněte uvolňovací tlačítko pro rozložení (28)-1 uprostřed tlačítka pro nastavení sklonu a poté odjistěte pojistku pro nastavení sklonu (28)-2.
 - 3 - Složte sedátko. (29)
 - 4 - Pro rozložení kočárku zatáhněte za popruh rozložení sedátka. (30)
 - 5 - Kočárek se sedátkem v orientaci ve směru jízdy může stát na kolečkách, a se sedátkem v orientaci proti směru jízdy může stát na rukojeti a zadních kolečkách. (31)
 - 6 - Stiskněte tlačítka sklopení držáků sedátka. (32)
 - 7 - Složte kočárek. (33)
- ! Kočárek bez sedátka může stát na rukojeti a zadních kolečkách.

Vložka

- 1 - Při použití položte vložku na sedačku a protáhněte ramenní postroj, bederní postroj a postroj přes rozkrok příslušnými otvory. (34)
- 2 - Připevněte suché zipy. (35)

Příslušenství

! U některých modelů není některé příslušenství k dispozici.

Adaptéry

Pokyny pro instalaci a používání autosedačky Nuna pro novorozence a hlubokého korby TRIV najdete v návodu na použití autosedačky a hlubokého korby.

- 1 - Při nasazování adaptérů umístěte adaptéry na držáky sedačky. „Cvaknutí“ znamená, že adaptéry jsou připojeny. (36)(37)
- 2 - Při nasazování autosedačky umístěte autosedačku pro novorozence na adaptéry. „Cvaknutí“ znamená, že autosedačka pro novorozence je připojena. (38)
- 3 - Při nasazování hluboké korby umístěte hlubokou korbu na adaptéry. „Cvaknutí“ znamená, že korba je připojena. (39)
- 4 - Autosedačku pro novorozence lze na adaptér nainstalovat v orientaci proti nebo po směru jízdy. (40)
- 5 - Hlubokou korbu lze na adaptéry nainstalovat v orientaci proti nebo po směru jízdy. (41)
- 6 - Chcete-li odpojit autosedačku pro novorozence, stiskněte uvolňovací tlačítka na nosítku (42)-1 a zvedněte (42)-2.

7 - Chcete-li hlubokou korbu odpojit, stiskněte uvolňovací tlačítka autosedačky **(43)-1** a zvedněte **(43)-2**.

8 - Chcete-li odpojit adaptéry, zatáhněte za uvolňovací tlačítka adaptéru **(44)-1** a zvedněte **(44)-2**.

! Před složením sejměte autosedačku pro novorozence.

Rozložení kočárku s adaptéry

Před rozložením kočárku s adaptéry nastavte rukojeť do nejnižší polohy a zkontrolujte, zda není zablokováno natáčení předních koleček.

1 - Pro rozložení kočárku zatáhněte za popruh rozložení adaptéru. **(45)**

! Kočárek s adaptéry může stát na rukojeti a zadních kolečkách.

CZ

Oválný adaptér pro sedačku

Pokyny pro instalaci a používání autosedačky Nuna pro novorozence najdete v návodu na použití autosedačky.

1 - Při nasazování umístěte oválný adaptér na držák sedačky. **(46)** „Cvaknutí“ znamená, že oválný adaptér je zajištěn.

2 - Při nasazování umístěte autosedačku pro novorozence na adaptér pro instalaci autosedačky pro novorozence. „Cvaknutí“ znamená, že autosedačka pro novorozence je připojena. **(46)**

3 - Autosedačka pro novorozence a oválný adaptér pro sedačku lze připevnit v orientaci po směru nebo proti směru jízdy. **(47)**

4 - Pro odstranění autosedačky pro novorozence uvolněte druhou bezpečnostní pojistku pro adaptér **(49)-1**, poté stlačte uvolňovací tlačítko na zadní části autosedačky **(49)-2** a zvedněte **(49)-3**.

5 - Chcete-li odpojit adaptér pro instalaci sedačky, zatáhněte za uvolňovací tlačítka adaptéru **(50)-1** a zvedněte **(50)-2**.

! Před složením sejměte autosedačku pro novorozence

Rozložení kočárku s oválným adaptérem

Před rozložením kočárku s oválným adaptérem sedačkynastavte rukojeť do nejnižší polohy a zkontrolujte, zda není zablokováno natáčení předních koleček.

1 - Pro rozložení kočárku zatáhněte za popruh rozložení oválného adaptéru. **(51)**

! Kočárek s oválným adaptérem může stát na rukojeti a zadních kolečkách.

CZ

TRIV Pláštěnka

Před nasazením pláštěnky zkontrolujte, zda je stříška zcela otevřená.

1 - Nasadte pláštěnku přes sportovní nastavbu. **(52)**

! Když je na kočárku umístěna pláštěnka, **VŽDY** kontrolujte větrání.

Před složením **VŽDY** zkontrolujte, zda byla pláštěnka očištěna a je suchá.

NESKLÁDEJTE kočárek s nasazenou pláštěnkou.

NEUMÍSŤUJTE své dítě v horkém počasí do kočárku s nasazenou pláštěnkou.

Sejmutí a montáž látkových částí

Při snímání látkových částí sedačky postupujte podle kroků (53) - (66) podle obrázku. Při nasazování látkových částí postupujte dle předchozího postupu v obráceném pořadí.

Čištění a údržba

Rám, plastové části a potah můžete čistit vlhkým hadříkem. Nepoužívejte abrazivní prostředky ani bělidlo. Nepoužívejte silikonová maziva, která přitahují prach a nečistoty. Kočárek neskladujte na vlhkém místě.

Kolečka kočárku pravidelně čistěte vodou a odstraňujte veškeré nečistoty.

Aby byla zajištěna dlouhá životnost, po používání v deštivém počasí otřete kočárek měkkým savým hadříkem.

Pokyny pro praní a sušení jsou uvedeny na štítku s pokyny pro péči a údržbu, který jsou připevněny na textilních částech.

Je normální, že barva potahu časem vybledne a opotřebuje se v důsledku praní a/nebo slunečního záření, a to i při běžném používání.

Z bezpečnostních důvodů používejte pouze originální díly Nuna.

Pravidelně kontrolujte, zda vše funguje správně. Pokud je některá část kočárku roztržená, poškozená, nebo chybí, přestaňte kočárek používat.

NUNA International B.V. Nuna a veškerá přidružená loga jsou obchodní známky.

**DÔLEŽITÉ
PRED POUŽITÍM
PREČÍTAJTE POZORNE
TENTO NÁVOD A
USCHOVAJTE HO PRE
BUDÚCU POTREBU**

Obsah

Informácie o výrobku	185
Registrácia výrobku	
Záruka	
Kontakt	
Požiadavky na používanie s deťmi	186
Výstrahy	187
Zoznam jednotlivých častí	191
Zostavenie výrobku	193
Používanie výrobku	195
Príslušenstvo	198
Odpojenie a zostavenie mäkkých textílií	201
Čistenie a údržba	201

Informácie o výrobku

Číslo modelu: _____

Dátum výroby: _____

Registrácia výrobku

Vyplňte vyššie uvedené informácie. Číslo modelu a dátum výroby sú uvedené na štítku na ráme kočíka.

Aby ste svoj výrobok zaregistrovali, navštívte:

www.nunababy.com

Na domovskej stránke kliknite na odkaz „Registrovať zariadenie“.

Záruka

Zámerne sme navrhli naše výrobky vysokej kvality tak, aby mohli rásť s vaším dieťaťom aj vašou rodinou. Na výrobok sa vzťahuje záruka 2 roky začínajúc dňom zakúpenia. Ak nás budete kontaktovať, pripravte si doklad o kúpe, číslo modelu a dátum výroby.

Viac informácií o záruke nájdete na stránke:

www.nunababy.com

Na domovskej stránke kliknite na odkaz „Záruka“.

Kontakt

Ohľadne náhradných dielov, servisu alebo ďalších otázok o záruke sa obráťte na naše oddelenie služieb zákazníkom.

info@nunababy.com

www.nunababy.com

Požiadavky na používanie s deťmi

Tento kočík je vhodný na používanie s deťmi, ktoré spĺňajú nasledujúce požiadavky:

Od narodenia do 22 kg alebo 4 rokov, podľa toho, čo nastane skôr

Pri používaní rámu kočíka s hlbokou korbou TRIV alebo detskou sedačkou Nuna si pozrite požiadavky na používanie s deťmi v príslušných návodoch na použitie.

!UPOZORNENIE

Nedodržanie týchto výstrah a pokynov môže viesť k vážnemu poraneniu alebo smrti.

Používajte vždy upevňovací systém.

Pred použitím skontrolujte, či sú správne pripevnené upevňovacie zariadenia kočiarika, sedačky alebo autosedačky.

Tento výrobok nie je hračka. Nenechajte dieťa hrať sa s týmto výrobkom.

Pred používaním sa uistite, že všetky zaisťovacie zariadenia sú zaistené.

Nikdy nenechávajte dieťa bez dozoru.

Tento výrobok nie je vhodný na behanie, korčuľovanie.

Pri rozopínaní a zapínaní sa uistite, že dieťa nie je v kočiariku, aby ste predišli prípadnému úrazu.

Príslušenstvo, ktoré nie je schválené výrobcom, sa nesmie používať. Musia sa používať len náhradné diely dodávané alebo odporúčané výrobcom/distribútorom.

Montáž musia vykonať dospelé osoby.

VŽDY, keď zastavíte, aktivujte parkovaciu brzdu.

Na žiadne poškodenie spôsobené používaním príslušenstva, ktoré nie je dodávané spoločnosťou Nuna, sa nebudú vzťahovať podmienky záruky.

Akékoľvek zaťaženie pôsobiace na rukoväť a/alebo zadnú stranu operadla a/alebo na boky vozidla ovplyvní stabilitu vozidla.

Predtým, než dovoľíte dieťaťu byť v blízkosti kočíka, sa ubezpečte, že je kočík úplne postavený a zaistený.

NEVOZTE ďalšie deti, tovar ani príslušenstvo v kočíku alebo na inom iným spôsobom, ako je povolený v tejto príručke. Môžu spôsobiť, že sa kočík stane nestabilným.

NENECHÁVAJTE kočík vystavený v blízkosti silného zdroja tepla, t. j. radiátora alebo otvoreného ohňa.

NEUMIESTŇUJTE na plátennú striešku žiadne predmety.

NESKLADUJTE kočík na vlhkom mieste. Textil nechajte vždy prirodzene vyschnúť mimo priameho tepla.

NEPOUŽÍVAJTE úložný košík ako nosič na dieťa.

NEPOUŽÍVAJTE kočík, ak sú akékoľvek diely poškodené alebo chýbajú.

Pre autosedačky používané v spojení s rámom platí, že toto vozidlo nenahrádza korbu ani posteľ. Ak vaše dieťa potrebuje spať, malo by sa umiestniť do vhodného telesa kočíka, korby alebo postele.

Neodporúča sa používať vložku B samostatne.

Malé časti uchovávajú mimo dosahu detí, pretože predstavujú nebezpečenstvo zadusenía.

Obrubníky a nerovný povrch prekonávajú s opatrnosťou. Opakovaný náraz môže spôsobiť poškodenie kočíka.

NIKDY nedovoľte deťom postaviť sa na kočík.

NIKDY neprevážajte v kočíku naraz viac ako jedno dieťa.

NIKDY nepoužívajte kočík na schodoch alebo eskalátoroch. Môžete zrazu stratiť kontrolu nad kočíkom alebo vám môže dieťa vypadnúť.

Popruhy sa musia vždy správne nasadiť a upraviť. Popruhy nie sú náhradou za riadny dohľad dospelých.

Pri vkladaní a vyberaní detí sa musí aktivovať parkovacia brzda.

Preťaženie, nesprávne skladanie a používanie príslušenstva, napr. detských sedačiek, háčikov na tašky, krytov proti dažďu, závesných stúpadiel atď..., okrem tých, ktoré schválila spoločnosť Nuna, môže kočík poškodiť alebo spôsobiť, že nebude bezpečný.

Gumené pneumatiky môžu zanechať na hladkých povrchoch, ako sú parkety, lamináty a linoleum, čierne známky oteru.

NEBEZPEČENSTVO UŠKRTEŇIA Aby sa zabránilo uškrtenu, okolo krku dieťaťa neumiestňujte predmety so šnúrkami, šnúrky nenechajte visieť z tohto výrobku ani ich neuväzujte k hračkám.

Aby ste zabránili akémukoľvek nebezpečenstvu zadusenía, pred použitím tejto položky odstráňte všetky plastové kryty a zničte ich alebo ich uchovávajte mimo dosahu dojčiat a detí!

Aby ste predišli nebezpečným a nestabilným podmienkam, pred použitím neumiestňujte do úložného košíka viac ako 4,5 kg a do odkladacieho vrečka neumiestňujte viac ako 0,45 kg.

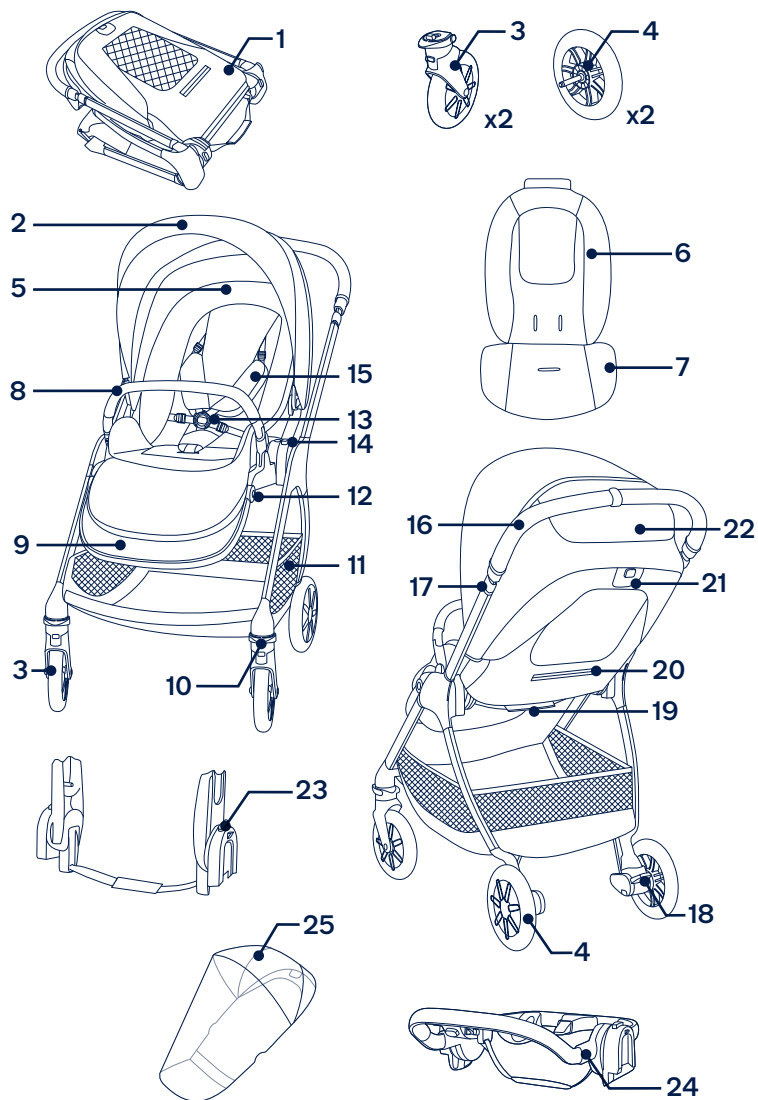
Pre novo narodené deti **POUŽÍVAJTE** úplne sklopenú polohu.

Používajte kočík s dieťaťom, ktoré neváži viac ako 22 kg. S dieťaťom nevyhovujúcim týmto kritériám dôjde k poškodeniu kočíka.

Zoznam jednotlivých častí

Pred zostavením skontrolujte, či máte všetky časti.
Ak chýba ktorákoľvek časť, obráťte sa na svojho predajcu.
Na zostavenie nie sú potrebné žiadne nástroje.

- | | | | |
|----|--|----|--|
| 1 | Rám kočíka | 15 | Poduška ramenných popruhov |
| 2 | Textilná strieška | 16 | Rukoväť |
| 3 | Predné koleso (x2) | 17 | Tlačidlo na nastavenie rukoväte |
| 4 | Zadné koleso (x2) | 18 | Brzdová páčka |
| 5 | Čalúnenie sedačky | 19 | Skladací popruh |
| 6 | Vložka A | 20 | Odkladacie vrečko (maximálna záťaž = 0,45 kg) |
| 7 | Vložka B (neodporúča sa používať samostatne) | 21 | Tlačidlo na nastavenie sklonu/Uvolňovacie tlačidlo skladania |
| 8 | Držadlo | 22 | Otvor plátennej striešky |
| 9 | Lýtková opierka | 23 | Pripájacie adaptéry |
| 10 | Zámok otáčania | 24 | Prstencový adaptér autosedačky |
| 11 | Úložný košík | 25 | Kryt proti dažďu |
| 12 | Tlačidlo na nastavenie lýtkovej opierky | | |
| 13 | Spona | | |
| 14 | Uvolňovacie tlačidlo sedačky | | |



Zostavenie výrobku

Rozloženie kočíka

- 1 - Vytiahnite rám kočíka. (1)
- 2 - Otočením rukoväte smerom nahor rozložíte rám kočíka. (2)
- 3 - Potiahnite sedačku, aby ste ju rozložili. (3)
Zvuk „cvaknutia“ znamená, že je sedačka rozložená.
Pred pokračovaním skontrolujte, či je kočík úplne rozložený so zaistenými západkami.

Zmena orientácie sedačky

V prípade potreby zmeňte orientáciu sedačky.

- 1 - Stlačte uvoľňovacie tlačidlo sedačky (4)-1 a nadvihnite sedačku (4)-2.
- 2 - Obráťte sedačku a potom ju pripevnite k rámu. (5)
Zvuk „cvaknutia“ znamená, že je sedačka úplne pripevnená.

Predné kolesá

- 1 - Zasuňte predné koleso do prednej nohy. (6)
Zvuk „cvaknutia“ znamená, že je predné koleso úplne zostavené.
Potiahnutím smerom von skontrolujte, či je koleso bezpečne pripevnené.
Postup zopakujte na opačnej strane.
- 2 - Ak chcete vybrať predné koleso, stlačte uvoľňovacie tlačidlo (7)-1 a odpojte predné koleso od prednej nohy (7)-2.

Zadné kolesá

- 1 - Zasuňte zadné koleso do zadnej nohy. (8)
Zvuk „cvaknutia“ znamená, že je zadné koleso úplne zostavené.
Potiahnutím smerom von skontrolujte, či je koleso bezpečne pripevnené.
Postup zopakujte na opačnej strane.
- 2 - Ak chcete vybrať zadné koleso, stlačte uvoľňovacie tlačidlo (9)-1 a odpojte zadné koleso od zadnej nohy (9)-2.

Držadlo

- ! Vždy zaistite dieťa popruhmi. Držadlo nie je zadržiavacie zariadenie.
- 1 - Zarovnajte konce držadla s držiakmi držadla a zasuňte ho tak, aby zacvaklo na miesto. (10)
Zvuk „cvaknutia“ znamená, že je držadlo úplne zostavené.
 - 2 - Ak chcete vybrať držadlo, stlačte uvoľňovacie tlačidlá držadla (11)-1 a vyberte držadlo (11)-2.

Skontrolujte zostavenie

- Rám kočíka je rozložený so zaistenými západkami
- Sedačka kočíka je bezpečne pripevnená
- Zadné a predné kolesá sú bezpečne pripevnené
- Držadlo je bezpečne pripevnené

Používanie výrobku

Zaistenie dieťaťa

- 1 - Stlačte stredné tlačidlo na sponu, aby ste uvoľnili západku spony, vyberte upevňovacie prvky a vložte dieťa do kočíka. (12)
- 2 - Spojte ramennú sponu a bedrovú sponu. (13)
- 3 - Zaistíte ramennú sponu a bedrovú sponu do západky spony a zopakujte to na opačnej strane. (14)
- 4 - Nasadte popruhy pohodlne na dieťa potiahnutím za nastavovacie remienky na dotiahnutie (15)-1. Potom vytiahnite bedrové nastavovacie remienky (15)-2.

Poloha ramenných popruhov

- 1 - Horné spony ramenných popruhov sa môžu pohybovať nahor a nadol kvôli dodatočnému nastaveniu. (16)
- ! Aby ste predišli vážnemu poraneniu v dôsledku pádu alebo vykĺznutia, vždy zaistíte dieťa pomocou popruhov.

SK Skontrolujte, či sú popruhy riadne nastavené a dieťa pohodlne zaistené. Medzera medzi dieťaťom a ramennými popruhmi musí byť široká asi na hrúbku jedného prsta.

NEPREKRÍŽTE ramenné pásy. Spôsobí to tlak na krk dieťaťa.

Textilná strieška

- 1 - Ak chcete rozložiť plátennú striešku, potiahnite ju smerom k prednej časti sedačky a ak ju budete chcieť zložiť, potlačte ju dozadu. (17)
- 2 - Rozopnite zips na plátennej strieške, ak chcete získať viac tieňa a vetrania. (18)

- 3 - Ak chcete zvýšiť vetranie, vyklopte kryt otvoru plátennej striešky. (19)

Sklon

Operadlo má 4 polohy sklonu.

- 1 - Ak chcete operadlo zvýšiť alebo znížiť, stlačte tlačidlo na nastavenie sklonu (20)-1 a potiahnite operadlo nahor alebo nadol (20)-2.
- ! Pri nastavovaní uhlu sklonu nestlačte tlačidlo (20)-3 v strede tlačidla na nastavenie sklonu. Skontrolujte, či je sklon upravený správne pre použitie.

Lýtková opierka

Lýtková opierka má 2 polohy používania.

- 1 - Ak chcete lýtkovú opierku zvýšiť, zdvihnite ju.
- 2 - Ak chcete lýtkovú opierku znížiť, stlačte nastavovacie tlačidlo (21)-1 a zatlačte nadol (21)-2.

Rukoväť

Rukoväť má 5 polôh.

- 1 - Ak chcete nastaviť výšku rukoväte, potiahnite tlačidlo na nastavenie rukoväte (22)-1 a potiahnite rukoväť nahor alebo nadol (22)-2.

Brzda

- 1 - Ak chcete zablokovat' zadné kolesá, zošliapnite brzdovú páčku. (23)
- 2 - Ak chcete odblokovať zadné kolesá, nadvihnite brzdovú páčku. (24)

- ! Vždy, keď je kočík odstavený, aktivujte brzdu. Jemne zatlačte na kočík, aby ste sa uistili, že je brzda zatiahnutá.

Predné zámky otáčania

Na nerovných povrchoch sa odporúča použitie predných zámkov otáčania.

- 1 - Vytiahnite predný zámok otáčania dohora, aby ste zamkli predné koleso. (25)
- 2 - Ak chcete predný zámok otáčania odomknúť, zatlačte ho nadol. (26)

Zloženie

Kočík možno zložiť so sedačkou smerujúcou dopredu, dozadu alebo aj bez sedačky. Pred zložením kočíka nastavte rukoväť do najnižšej polohy a uistite sa, že sú predné zámky otáčania odistené.

- 1 - Zložte plátennú striešku. (27)
 - 2 - Stlačte uvoľňovacie tlačidlo skladania (28)-1 v strede tlačidla na nastavenie sklonu a potom stlačte tlačidlo na nastavenie sklonu (28)-2.
 - 3 - Zložte sedačku. (29)
 - 4 - Potiahnutím za skladací popruh sedačky zložíte kočík. (30)
 - 5 - Kočík so sedačkou smerujúcou tvárou dopredu môže stáť na kolesách, a so sedačkou smerujúcou tvárou dozadu môže stáť na rukoväti a zadných kolesách. (31)
 - 6 - Stlačte skladacie tlačidlá držiakov sedačky. (32)
 - 7 - Zložte kočík. (33)
- ! Kočík bez sedačky môže stáť na rukoväti a zadných kolesách.

Vložka

- 1 - Ak chcete zostaviť vložku, položte ju na na sedadlo a prevlečte ramenné, bedrové a rozkrokové popruhy cez ich príslušné otvory. (34)
- 2 - Pripojte háčikové a pútkové upínače. (35)

Príslušenstvo

- ! Pri niektorých modeloch sa nedodáva všetko príslušenstvo ako ich súčasť.

Pripájacie adaptéry

Ohľadne zostavenia a používania detskej sedačky Nuna a hlbokkej korby TRIV si pozrite návody na použitie detskej sedačky a hlbokkej korby.

- 1 - Aby ste pripevnili pripájacie adaptéry, položte ich na držiaky sedačky. Zvuk „cvaknutia“ znamená, že sú pripájacie adaptéry pripevnené. (36)(37)
- 2 - Aby ste pripevnili detskú sedačku, položte ju na pripájacie adaptéry. Zvuk „cvaknutia“ znamená, že je detská sedačka pripevnená. (38)
- 3 - Aby ste pripevnili hlbokú korbu položte ju na pripájacie adaptéry. Zvuk „cvaknutia“ znamená, že je hlboká korba pripevnená. (39)
- 4 - Detskú sedačku možno pripevniť na pripájací adaptér tak, aby smerovala tvárou dozadu alebo dopredu. (40)
- 5 - Hlbokú korbu možno pripevniť na pripájacie adaptéry tak, aby smerovala tvárou dozadu alebo dopredu. (41)
- 6 - Ak chcete vybrať detskú sedačku, stlačte uvoľňovacie tlačidlá na detskej sedačke (42)-1 a zdvihnite ju (42)-2.

- 7 - Ak chcete vybrať hlbokú korbu stlačte uvoľňovacie tlačidlá na boku hlbokkej korby **(43)-1** a zdvihnite ju **(43)-2**.
 - 8 - Ak chcete vybrať pripájacie adaptéry, potiahnite uvoľňovacie tlačidlá adaptéra **(44)-1** a zdvihnite ich **(44)-2**.
- ! Pred zložením vyberte detskú sedačku a hlbokú korbu.

Zložte kočík s pripájacími adaptémi

Pred zložením kočíka s pripájacími adaptémi nastavte rukoväť do najnižšej polohy a uistite sa, že sú predné zámky otáčania odistené.

- 1 - Potiahnutím za skladací popruh pripájacích adaptérov zložíte kočík. **(45)**
- ! Kočík s pripájacími adaptémi môže stáť na rukoväti a zadných kolesách.

Prstencový adaptér autosedačky

Informácie o zostavení a používaní detskej sedačky Nuna nájdete v návode na použitie detskej sedačky.

- 1 - Ak chcete pripevniť prstencový adaptér autosedačky, položte prstencový adaptér autosedačky na držiak sedačky. **(46)** Zvuk „cvaknutia“ znamená, že je prstencový adaptér autosedačky zaistený.
- 2 - Aby ste pripevnili detskú sedačku, položte ju na prstencový adaptér autosedačky. Zvuk „cvaknutia“ znamená, že je detská sedačka pripevnená. **(47)**
- 3 - Detskú sedačku a prstencový adaptér autosedačky možno pripevniť v smere tvárou dozadu alebo dopredu. **(48)**

- 4 - Ak chcete vybrať detskú sedačku, uvoľnite druhý bezpečnostný zámok adaptéra **(49)-1**, potom stlačte uvoľňovacie tlačidlo umiestnené na zadnej strane detskej sedačky **(49)-2** a zdvihnite ju **(49)-3**.
 - 5 - Ak chcete vybrať prstencový adaptér autosedačky, stlačte uvoľňovacie tlačidlá adaptéra **(50)-1** a zdvihnite ich **(50)-2**.
- ! Pred zložením vyberte detskú sedačku.

Zložte kočík s prstencovým adaptérom autosedačky

Pred zložením kočíka s prstencovým adaptérom autosedačky nastavte rukoväť do najnižšej polohy a uistite sa, že sú predné zámky otáčania odistené.

- 1 - Potiahnutím za skladací popruh prstencového adaptéra autosedačky zložíte kočík. **(51)**
- ! Kočík s prstencovým adaptérom autosedačky môže stáť na rukoväti a zadných kolesách.

Pláštenka TRIV

Pred pripevnením pláštenky skontrolujte, či je textilná strieška úplne rozložená.

- 1 - Ak chcete zostaviť pláštenku umiestnite ju nad kočík. **(52)**
- ! Keď je pláštenka na výrobku, **VŽDY** skontrolujte vetranie.
- Pred zložením **VŽDY** skontrolujte, či je pláštenka vyčistená a vysušená.
- NESKLADAJTE** kočík s pripevnenou pláštenkou.
- V horúcom počasí **NEDÁVAJTE** dieťa do kočíka s pripevnenou pláštenkou.

Odpojenie a zostavenie mäkkých textílií

Ak chcete odpojiť mäkké textílie sedačky, postupujte podľa krokov (53) - (66), ako je znázornené, a ak chcete mäkké textílie sedačky pripojiť späť, postupujte podľa vyššie uvedených krokov v opačnom poradí.

Čistenie a údržba

Očistite rám, plastové časti a textil vlhkou handričkou, ale nepoužívajte brúsne čistiace prostriedky ani bielidlo. Nepoužívajte silikónové mazivá, pretože viažu na seba nečistoty a špinu. Neskladujte kočík na vlhkom mieste.

Pravidelne čistite kolesá kočíka vodou a odstráňte všetku špinu.

Aby ste zaistili dlhodobé používanie, po použití v daždivom počasí utrite kočík mäkkou absorpčnou handričkou.

Pozrite si štítok s návodom na ošetrovanie, ktorý je pripevnený k mäkkým textíliám, a kde sú uvedené pokyny na umývanie a sušenie.

Je normálne, že sa farba textilu zmení pôsobením slnečného žiarenia a po dlhom používaní bude vykazovať opotrebovanie aj pri normálnom používaní.

Z bezpečnostných dôvodov používajte len originálne diely od spoločnosti Nuna.

Pravidelne kontrolujte, či všetko funguje ako má. Ak sú ktorékoľvek časti roztrhnuté, zlomené alebo chýbajú, prestaňte tento výrobok používať.

NUNA International B.V. Nuna a všetky pridružené logá sú ochranné známky.

VAŽNO!
PROČITAJTE PAŽLJIVO
I SAČUVAJTE ZA
BUDUĆU UPORABU

Sadržaj

Podaci o proizvodu	205
Registracija proizvoda	
Jamstvo	
Kontakti	
Uvjeti za upotrebu	206
Upozorenja	207
Popis dijelova	211
Postavljanje proizvoda	213
Korištenje proizvoda	215
Dodatna oprema	218
Skidanje i postavljanje obloga	221
Čišćenje i održavanje	221

Podaci o proizvodu

Broj modela: _____

Datum proizvodnje: _____

Registracija proizvoda

Ispunite gore navedene podatke. Broj modela i datum proizvodnje nalaze se na naljepnici na okviru kolica.

Za registraciju proizvoda posjetite:

www.nunababy.com

Kliknite na vezu "Registracija opreme" na početnoj stranici.

Jamstvo

Osmislili smo i proizveli naše proizvode visoke kvalitete kako bi mogli rasti s vašim djetetom i obitelji. Budući da stojimo iza našeg proizvoda, naša je oprema pokrivena jamstvom za proizvod, počevši od dana kupnje. Prije no što nas kontaktirate pripremite dokaz o kupnji, broj modela i datum proizvodnje.

Za informacije o jamstvu posjetite:

www.nunababy.com

Kliknite na vezu "Jamstvo" na početnoj stranici.

Kontakt

Za zamjenske dijelove, servis ili moguća pitanja u svezi jamstva kontaktirajte našu službu za korisnike.

info@nunababy.com

www.nunababy.com

Uvjeti za upotrebu

Ova sjedalica za kolica prikladna je za djecu koja su sljedećih mjera:

Od rođenja do 22 kg ili 4 godine, koje od toga prije nastupi

Kad se okvir dječjih kolica koristi s košarom za bebu ili Nuna nosiljkama za bebu pogledajte uvjete i mjere djeteta navedene u odgovarajućem priručniku s uputama tog proizvoda.

! UPOZORENJE

Nepoštivanje ovih upozorenja i uputa može predstavljati opasnost od ozbiljnih ozljeda sa smrtnim ishodom.

Uvijek upotrebljavajte sigurnosne pojase.

Provjerite jesu li okvir kolica ili jedinica za sjedenje, ili uređaji za pričvršćivanje u autu ispravni prije njihove uporabe.

Ne dopustite djetetu da se igra s ovim proizvodom.

Prije uporabe kolica, provjerite jesu li svi dijelovi za učvršćivanje ispravni.

Nikada ne ostavljajte dijete bez nadzora.

Ovaj proizvod nije namijenjen trčanju ili rolanju.

Kako biste izbjegli ozljede, pobrinite se da dijete bude na sigurnoj udaljenosti kada sklapate ili rasklapate ovaj proizvod.

Nije dopuštena upotreba dodatne opreme koju proizvođač nije odobrio. Treba koristiti isključivo zamjenske dijelove koje isporučuje ili preporučuje proizvođač / zastupnik.

Sklapanje treba vršiti odrasla osoba.

UVIJEK koristite parkirnu kočnicu prilikom zaustavljanja.

Svaka šteta uzrokovana korištenjem dodatne opreme koju nije isporučila tvrtka Nuna neće biti pokrivena jamstvom.

Svaki teret prikvačen na ručku i / ili na stražnji dio naslona za leđa i / ili na stranama kolica utjecat će na njihovu stabilnost.

Prije korištenja provjerite jesu li kolica u potpunosti podignuta i sigurno učvršćena.

NE nosite ili vozite još jedno dijete, namirnice i druge predmete u ili na kolicima osim kako je navedeno u ovom priručniku. To može prouzročiti nestabilnost kolica.

NE ostavljajte kolica u blizini jakog izvora topline, na primjer radijatora ili otvorene vatre.

NE STAVLJAJTE ništa na krovčić.

NE spremajte kolica na vlažno mjesto. Uvijek pustite neka se tkanina prirodno osuši dalje od izvora topline.

NE koristite košaru za odlaganje kao ležaljku za dijete.

NE koristite kolica ako je bilo koji dio oštećen ili nedostaje.

Za auto-sjedalice koje se koriste zajedno s kućištem, ova kolica nisu zamjena za prijenosni krevetić ili dječji krevetić. Ako dijete treba spavati, stavite ga u odgovarajući sklopivi ili običan dječji krevetić.

Ne preporučuje se koristiti samo umetak B.

Male dijelove udaljite od djece jer predstavljaju opasnost od gušenja.

Pravilno i pažljivo procijenite zavoje na putu i neravne terene. Ponavljajući udarci mogu oštetiti kolica.

NIKAD ne dopuštajte djeci stajanje na kolicima.

NIKAD u kolicima ne vozite više od jednog djeteta.

NIKAD ne koristite kolica na stepenicama ili pokretnim stepenicama. Iznenada možete izgubiti kontrolu nad kolicima i dijete može ispasti iz njih.

Sigurnosne pojaseve treba uvijek pravilno staviti i namjestiti. Sigurnosni pojasevi nisu zamjena za pravilno nadziranje odrasle osobe.

Prilikom stavljanja i dizanja djeteta treba aktivirati parkirnu kočnicu.

Preopterećenje, nepravilno sklapanje i upotreba dodatne opreme, na primjer dječje sjedalice, kuke za torbu, prekrivke protiv kiše, dodatnog nosača za veće dijete i sl., osim onih koje je odobrila tvrtka Nuna mogu oštetiti ili učiniti kolica opasnim.

Gumeni kotači mogu ostavljati crne mrlje i tragove na glatkim površinama poput parketa, laminatnih podova i linoleuma.

OPASNOST OD DAVLJENJA NE postavljajte predmete s trakama ili nitima oko dječjeg vrata, maknite viseće trake s ovog proizvoda i ne stavljajte trake na igračke.

Kako biste spriječili i najmanju opasnost od gušenja prije upotrebe ovog proizvoda uklonite i uništite ili držite dalje od beba i djece sve plastične pokrove!

Radi sprječavanja opasnih i nestabilnih situacija ne stavljajte više od 4,5 kg u košaru za odlaganje i više od 0,45 kg u džep za odlaganje.

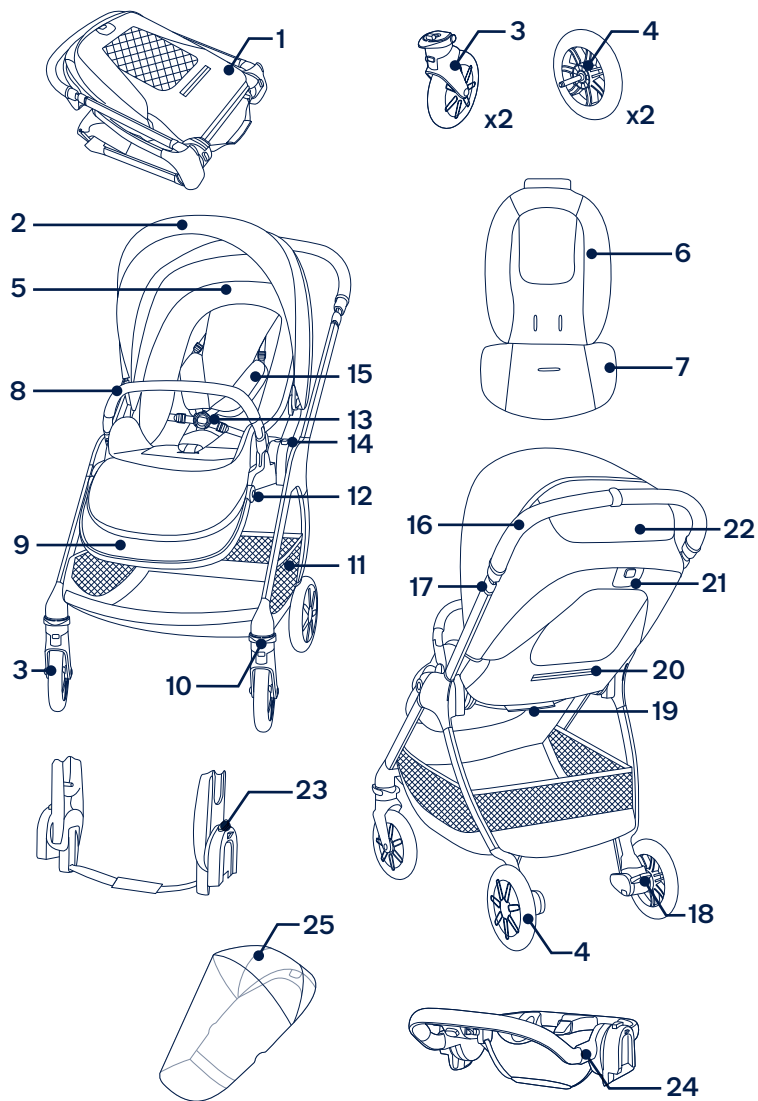
Za novorođenčad **KORISTITE** u potpuno spuštenom položaju.

Kolica koristite samo za prijevoz djeteta ne težeg od 22 kg. Kolica nisu namijenjena za dijete veće težine, pa će se na njima pojaviti oštećenja.

Popis dijelova

Prije sklapanja provjerite jesu li raspoloživi svi dijelovi.
Ako bilo koji dio nedostaje kontaktirajte lokalnog prodavača.
Za sklapanje nije potreban alat.

- | | |
|--|--|
| 1 Okvir kolica | 15 Jastučić ramenog pojasa |
| 2 Krovčić | 16 Ručka |
| 3 Prednji kotač (x 2) | 17 Tipka za podešavanje ručke |
| 4 Stražnji kotač (x 2) | 18 Poluga kočnice |
| 5 Jastuk sjedalice | 19 Remen za preklapanje |
| 6 Umetak A | 20 Džep za odlaganje (maksimalno opterećenje = 0,45 kg) |
| 7 Umetak B (ne preporučuje se zasebno koristiti) | 21 Tipka za podešavanje nagiba / tipka za oslobađanje radi preklapanja |
| 8 Prečka za ruke | 22 Prozorčić na krovčiću |
| 9 Potpora za noge | 23 Adapteri za postavljanje podloge za noge |
| 10 Blokada okretanja | 24 Prstenasti adapter auto-sjedalice |
| 11 Košara za odlaganje | 25 Pokrov za zaštitu od kiše |
| 12 Tipka za namještanje podloge za noge | |
| 13 Kopča | |
| 14 Tipka za oslobađanje sjedalice | |



Postavljanje proizvoda

Otvaranje kolica

- 1 - Izvadite okvir kolica. (1)
- 2 - Rotirajte ručku prema gore radi otvaranja okvira kolica. (2)
- 3 - Povucite sjedalicu kako bi se otvorila. (3)
Zvuk „klik“ znači da je sjedalica otvorena.
Prije nastavka provjerite jesu li kolica pravilno i dobro učvršćena.

Okretanje sjedalice

Prema potrebi okrenite smjer sjedalice.

- 1 - Pritisnite tipku za oslobađanje sjedalice (4)-1 i podignite sjedalicu (4)-2.
- 2 - Okrenite smjer sjedalice i postavite je na okvir. (5)
Zvuk „klik“ znači da je sjedalica pravilno učvršćena

Prednji kotači

- 1 - Umetnite prednji kotač u prednju nogu. (6)
Zvuk „klik“ znači kako da je prednji kotač pravilno učvršćen.
Provjerite je li kotač pravilno učvršćen tako što ćete ga povući prema van.
Ponovite na drugoj strani.
- 2 - Za skidanje prednjeg kotača pritisnite tipku za oslobađanje (7)-1 i skinite prednji kotač s prednje noge (7)-2.

Stražnji kotači

- 1 - Umetnite stražnji kotač u stražnju nogu. (8)
Zvuk „klik“ znači da je stražnji kotač pravilno učvršćen.
Provjerite je li kotač pravilno učvršćen tako što ćete ga povući prema van.
Ponovite na drugoj strani.
- 2 - Za skidanje stražnjeg kotača pritisnite tipku za oslobađanje (9)-1 i skinite stražnji kotač sa stražnje noge (9)-2.

Prečka za ruke

- ! Dijete uvijek učvrstite pojasevima. Prečka za ruke ne služi za osiguravanje i učvršćivanje djeteta.
- 1 - Poravnajte krajeve prečke za ruke s nosačima prečke za ruke i umetnite dok se ne začuje klik. (10)
Zvuk „klik“ znači kako je prečka za ruke pravilno učvršćena.
 - 2 - Za skidanje prečke za ruke pritisnite tipke za oslobađanje prečke za ruke (11)-1 i skinite prečku za ruke (11)-2.

Provjera postavljanja

- Okvir kolica je otvoren i učvršćen
- Sjedalica kolica je sigurno pričvršćena
- Stražnji i prednji kotači su sigurno pričvršćeni
- Prečka za ruke je sigurno pričvršćena

Korištenje proizvoda

Osiguravanje i pričvršćivanje djeteta

- 1 - Pritisnite središnju tipku na kopči radi oslobađanja kopče, odmaknite stezaljke i stavite dijete u kolica. (12)
- 2 - Spojite ramenu kopču i kopču preko kukova. (13)
- 3 - Učvrstite ramenu kopču i kopču preko kukova na zasun kopče i ponovite na suprotnoj strani. (14)
- 4 - Namjestite trake za pričvršćivanje na dijete povlačenjem traka za podešavanje kako biste ih čvrsto zategnuli (15)-1. Zatim povucite trake za podešavanje na struku prema van (15)-2.

Položaj ramenog pojasa

- 1 - Kopče gornjeg ramenog pojasa mogu se pomicati prema gore i prema dolje za dodatno podešavanje. (16)

! Radi sprječavanja ozbiljnih ozljeda zbog ispadanja ili isklizavanja dijete uvijek učvrstite pojasevima.

Provjerite jesu li pojasevi pravilno namješteni i je li dijete dobro i pravilno učvršćeno. Razmak između djeteta i ramenih pojasa smije biti približno debljine jednog prsta.

NE križajte ramene pojaseve. Time biste prouzročili pritisak na vrat djeteta.

Krović

- 1 - Za otvaranje krovića povucite ga prema prednjem dijelu sjedalice, a za sklapanje ga gurnite natrag. (17)
- 2 - Otvorite patentni zatvarač na kroviću radi dodatnog zasjenjivanja. (18)
- 3 - Za bolje prozračivanje odignite pokrov prozorčića na kroviću. (19)

Naginjanje

Postoje 4 položaja nagiba naslona za leđa.

- 1 - Za podizanje ili spuštanje naslona za leđa, stisnite tipku za podešavanje nagiba (20)-1 i gurnite naslon za leđa prema gore ili dolje (20)-2.

! Ne pritišćite tipku (20)-3 u sredini tipke za podešavanje nagiba prilikom podešavanje kuta nagiba. Provjerite je li nagib pravilno namješten za upotrebu.

Potpورا za noge

Potpورا za noge ima 2 položaja za upotrebu.

- 1 - Za podizanje potpore za noge, podignite je.
- 2 - Za spuštanje potpore za noge pritisnite tipku za podešavanje (21)-1 i gurnite prema dolje (21)-2.

Ručka

Ručka ima 5 položaja.

- 1 - Za podešavanje visine ručke povucite tipku za podešavanje ručke (22)-1 i povucite ručku prema gore ili dolje (22)-2.

Kočnica

- 1 - Za blokadu stražnjih kotača nogom pritisnite polugu kočnice. (23)
- 2 - Za odblokiranje stražnjih kotača odignite polugu kočnice. (24)

! Uvijek koristite kočnicu kad su kolica zaustavljena. Lagano gurnite kolica kako biste aktivirali kočnicu.

Blokada zakretanja prednjeg kraja

Na neravnim površinama preporučuje se korištenje blokada zakretanja prednjeg kraja.

- 1 - Povucite blokadu zakretanja prednjeg kraja prema gore radi blokade prednjih kotača. (25)
- 2 - Gurnite blokadu zakretanja prednjeg kraja prema dolje kako biste odblokirali. (26)

Preklapanje

Kolica se mogu sklopiti sa sjedalicom okrenutom u smjeru vožnje, sjedalicom okrenutom suprotno od smjera vožnje ili bez sjedalice. Prije sklapanja kolica namjestite ručku na najniži položaj i provjerite jesu li blokade zakretanja prednjeg kraja odblokirane.

- 1 - Sklopite krovčić. (27)
 - 2 - Pritisnite tipku za oslobađanje radi preklapanja (28)-1 na sredini tipke za podešavanje nagiba i zatim stisnite tipku za podešavanje nagiba (28)-2.
 - 3 - Sklopite sjedalicu. (29)
 - 4 - Povucite traku za sklapanje sjedalice kako biste preklopili kolica. (30)
 - 5 - Kolica sa sjedalicom okrenutom u smjeru vožnje mogu stajati oslonjena na kotače,, a sa sjedalicom okrenutom suprotno od smjera vožnje mogu stajati oslonjena na ručku i stražnje kotače. (31)
 - 6 - Pritisnite tipke za preklapanje nosača sjedalice. (32)
 - 7 - Sklopite kolica. (33)
- ! Kolica bez sjedalice mogu stajati oslonjena na ručku i stražnje kotače.

Umetak

- 1 - Za postavljanje umetka postavite ga preko sjedala i provucite opremu za učvršćivanje ramena, struka i pričvrsnog remena kroz odgovarajuće utore. (34)
- 2 - Učvrstite zatezače s kukicom i omčom. (35)

Dodatna oprema

! Na nekim modelima nije uključena sva dodatna oprema.

Adapteri za postavljanje

Za pričvršćivanje i korištenje Nuna nosiljke za bebe i TRIV nosiljke pogledajte priručnik za upotrebu nosiljke za bebe i nosiljke.

- 1 - Za pričvršćivanje adaptera za postavljanje postavite adaptere na nosače sjedalice. Zvuk „klik“ znači da su adapteri za postavljanje pričvršćeni. (36)(37)
- 2 - Za pričvršćivanje nosiljke za bebe postavite je na adaptere za postavljanje. Zvuk „klik“ znači da je nosiljka za bebe pričvršćena. (38)
- 3 - Za privršćivanje nosiljke postavite je na adaptere za postavljanje. Zvuk „klik“ znači da je nosiljka pričvršćena. (39)
- 4 - Nosiljka za bebe se može postaviti okrenuta prema natrag ili prema naprijed na adaptere za postavljanje. (40)
- 5 - Nosiljka se može postaviti okrenuta prema natrag ili prema naprijed na adaptere za postavljanje. (41)
- 6 - Za skidanje nosiljke za bebe pritisnite tipku za oslobađanje na nosiljci za bebe (42)-1 i podignite je (42)-2.

- 7 - Za skidanje nosiljke pritisnite tipke za oslobađanje na obje strane nosiljke bebe (43)-1 i podignite je (43)-2.
- 8 - Za skidanje adaptera za postavljanje, povucite tipke za oslobađanje adaptera (44)-1 i podignite prema gore (44)-2.

! Skinite nosiljku za bebe ili nosiljku prije sklapanja.

Sklapanje kolica s adapterima za postavljanje

Prije sklapanja kolica s adapterima za postavljanje namjestite ručku na najniži položaj i provjerite jesu li blokade zakretanja prednjeg kraja odblokirane.

- 1 - Povucite traku za sklapanje adaptera za postavljanje kako biste preklopili kolica. (45)

! Kolica s adapterima za postavljanje mogu stajati oslonjena na ručku i stražnje kotače.

Prstenasti adapter auto-sjedalice

Za pričvršćivanje i korištenje Nuna nosiljke za bebe pogledajte priručnik za upotrebu nosiljke za bebe.

- 1 - Za pričvršćivanje prstenastog adaptera auto-sjedalice stavite ga na nosač sjedalice. (46) Zvuk „klik“ znači da je prstenasti adapter auto-sjedalice pravilno blokiran.
- 2 - Za pričvršćivanje nosiljke za bebe postavite je na prstenasti adapter auto-sjedalice. Zvuk „klik“ znači da je nosiljka za bebe pričvršćena. (47)
- 3 - Nosiljka za bebe i prstenasti adapter auto-sjedalice mogu se pričvrstiti usmjereni unaprijed ili unatrag. (48)
- 4 - Za skidanje nosiljke za bebe oslobodite drugu sigurnosnu blokadu adaptera (49)-1, zatim pritisnite tipku za oslobađanje na stražnjoj strani nosiljke za bebe (49)-2 i podignite prema gore (49)-3.

- 5 - Za skidanje prstenastog adaptera auto-sjedalice pritisnite tipke za oslobađanje adaptera (50)-1 i podignite prema gore (50)-2.

! Skinite nosiljku za bebe prije sklapanja.

Sklapanje kolica s prstenastim adapterom auto-sjedalice

Prije sklapanja kolica s prstenastim adapterom auto-sjedalice namjestite ručku na najniži položaj i provjerite jesu li blokade zakretanja prednjeg kraja odblokirane.

- 1 - Povucite traku prstenastog adaptera auto-sjedalice kako biste preklopili kolica. (51)

! Kolica s prstenastim adapterom auto-sjedalice mogu stajati oslonjena na ručku i stražnje kotače.

TRIV Pokrov za zaštitu od kiše

Prije postavljanje pokrova za zaštitu od kiše provjerite je li krovčić potpuno otvoren.

- 1 - Za postavljanje pokrova za zaštitu od kiše, stavite ga preko kolica. (52)

! **UVIJEK** provjerite ima li dovoljno zraka i prozračivanja kad je na kolica postavljen pokrov za zaštitu od kiše.

UVIJEK prije preklapanja provjerite je li pokrov za zaštitu od kiše čist i suh.

NE preklapajte kolica dok je postavljen pokrov za zaštitu od kiše.

NE stavljajte dijete u kolica na kojima je postavljen pokrov za zaštitu od kiše tijekom vrućeg vremena.

Skidanje i postavljanje obloga

Za odvajanje mekih obloga sjedala slijedite korake (53) - (66) kako je prikazano, a za ponovno postavljanje mekih obloga sjedala slijedite korake obrnutim redoslijedom.

Čišćenje i održavanje

Očistite okvir, plastične dijelove i tkaninu vlažnom krpom, ali nemojte koristiti abrazivna sredstva ili izbjeljivač. Ne koristite silikonska sredstva za podmazivanja jer će privlačiti prljavštinu i prašinu. Ne spremajte kolica na vlažno mjesto.

Kotače kolica redovito čistite vodom i skidajte prljavštinu.

Kako biste osigurali dugotrajnu uporabu proizvoda nakon korištenja po kišnom vremenu obrišite ih mekanom, upijajućom krpom.

Pogledajte upute za pranje i sušenje na naljepnicama pričvršćenim na obloge.

Normalno je da nakon duljeg normalnog korištenja tkanina promijeni boju zbog sunčeve svjetlosti te da pokazuje znakova trošenja i habanja.

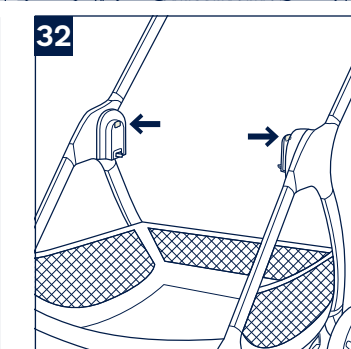
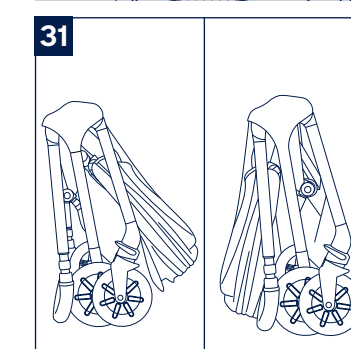
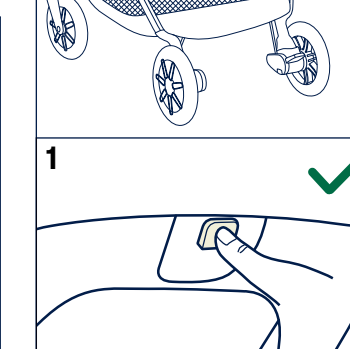
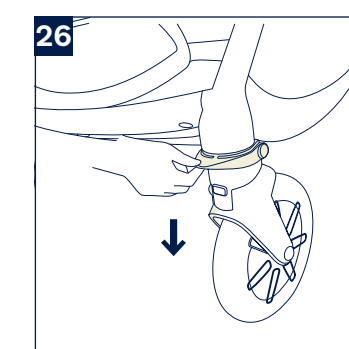
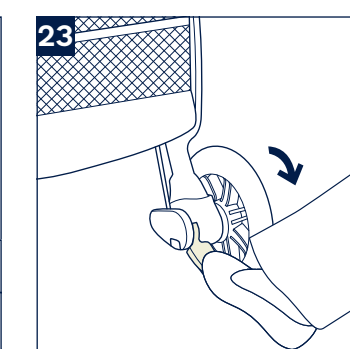
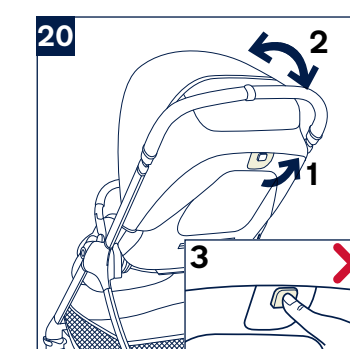
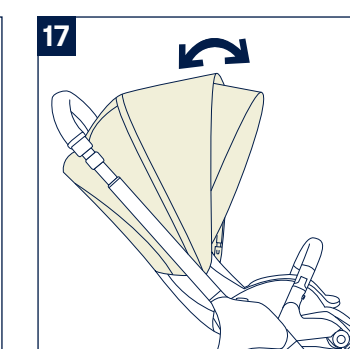
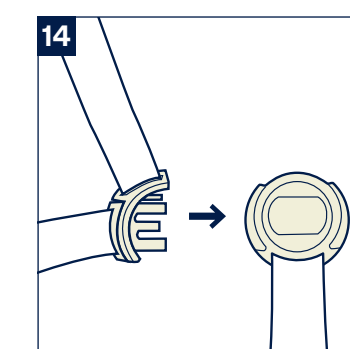
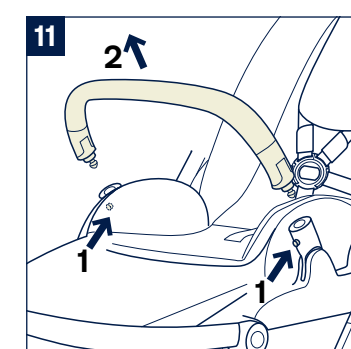
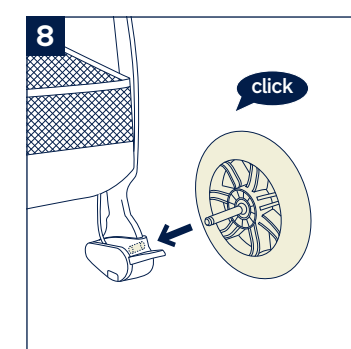
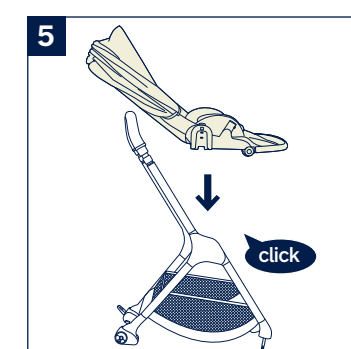
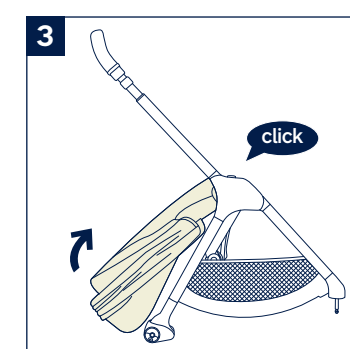
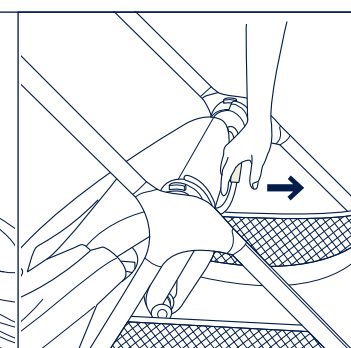
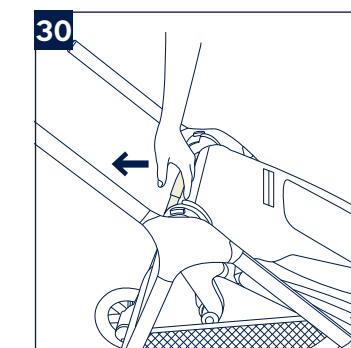
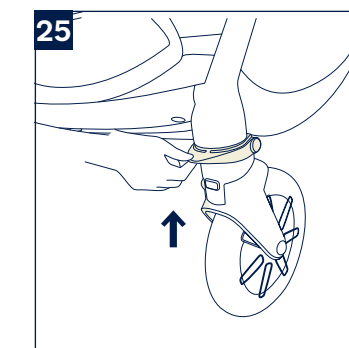
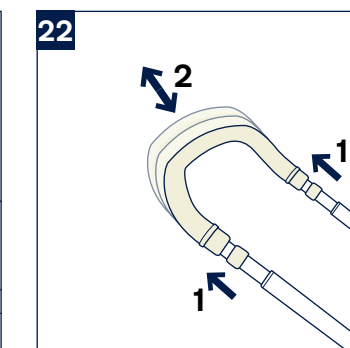
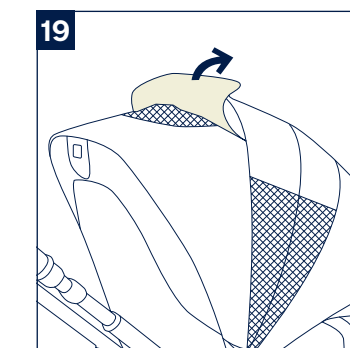
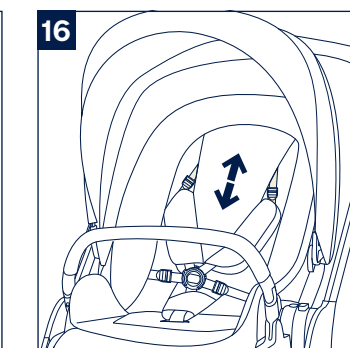
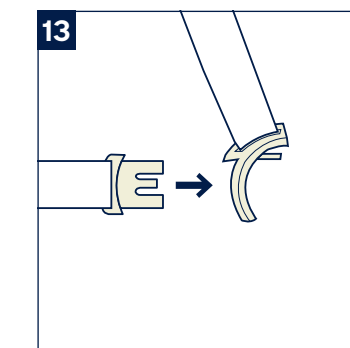
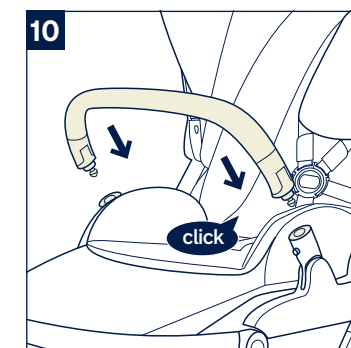
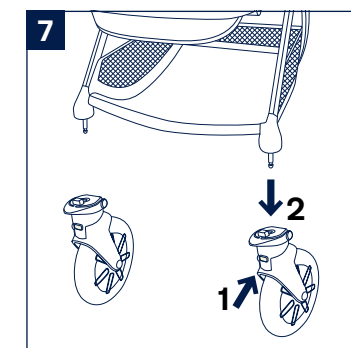
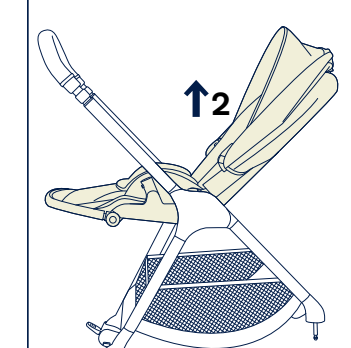
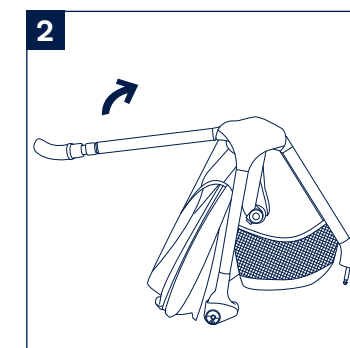
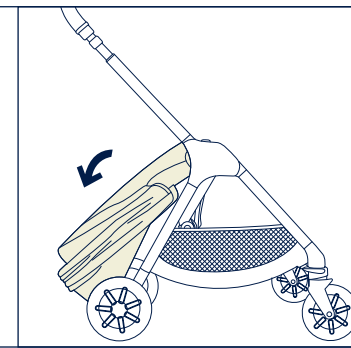
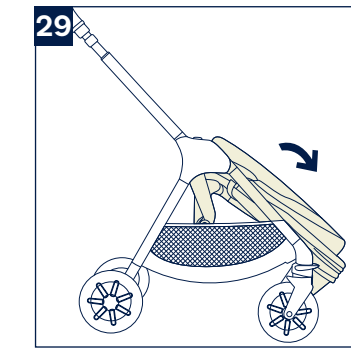
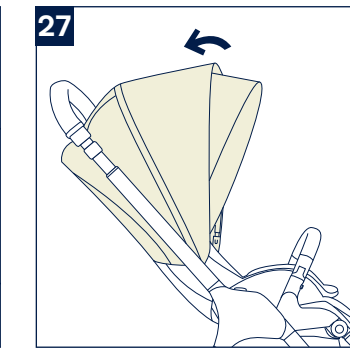
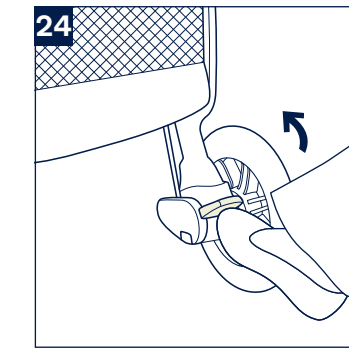
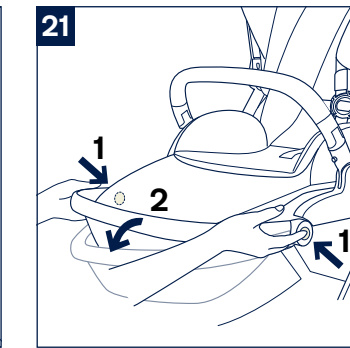
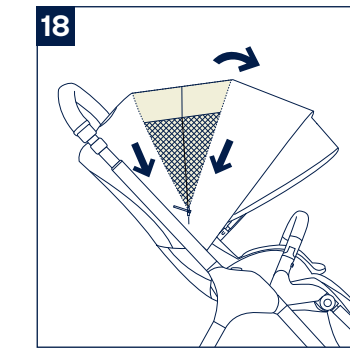
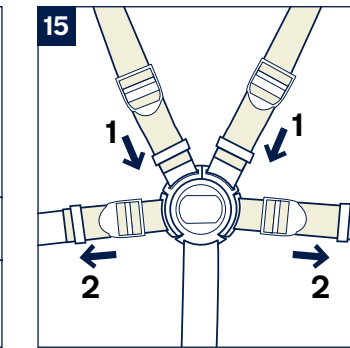
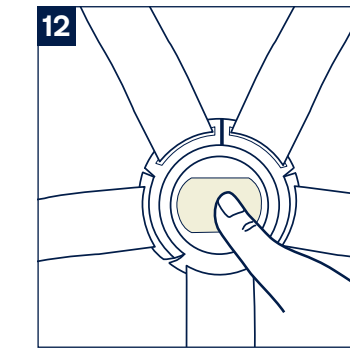
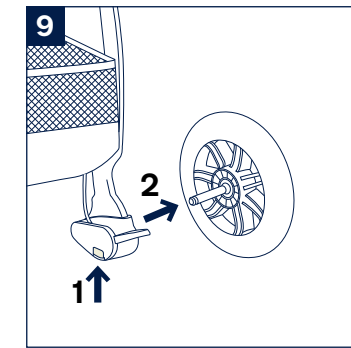
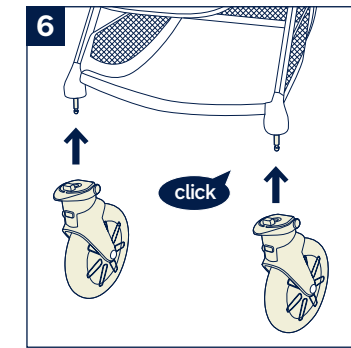
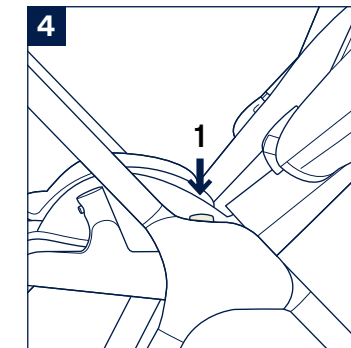
Radi sigurnosti koristite isključivo originalne Nuna dijelove.

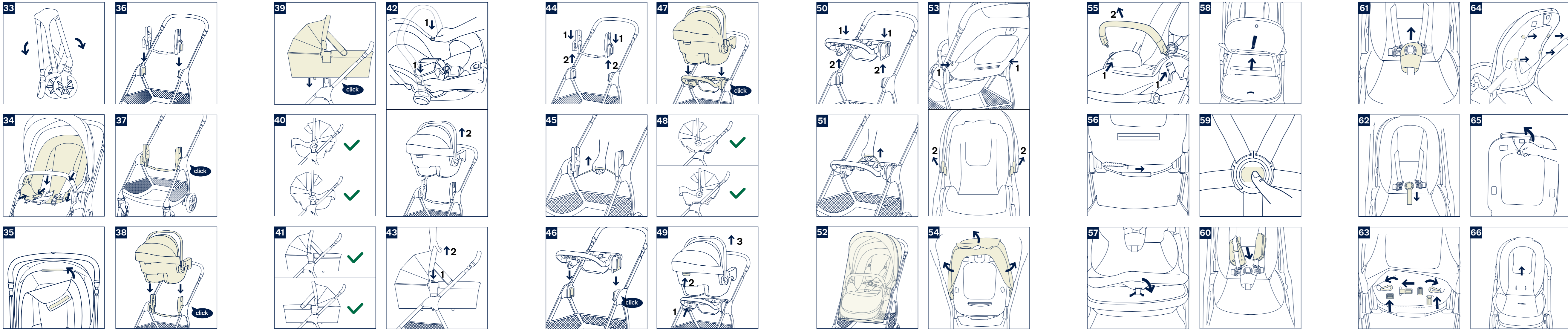
Redovito provjeravajte djeluje li sve pravilno. Ako je bilo koji dio istrošen, slomljen ili nedostaje prestanite koristiti ovaj proizvod.

NUNA International B.V. Nuna and all associated logos are trademarks.

Designed
around your life

nuna®





**IMPORTANT!
READ CAREFULLY
AND KEEP FOR
FUTURE REFERENCE**

Contents

Product Information	3
Product Registration	3
Warranty	3
Contact	3
Child Usage Requirements	4
Warnings	5
Parts List	9
Product Set Up	11
Product Use	13
Accessories	16
Detach & Assemble Soft Goods	18
Cleaning and Maintenance	19
Français (FR)	21
Deutsch (DE)	43
Nederlands (NL)	63
Italiano (IT)	83
Español (ES)	103
Português (PT)	123
Polski (PL)	143
Česky (CZ)	163
Slovenčina (SK)	185
Hrvatski (HR)	203
Slovenščina (SL)	223
Русский (RU)	243
Svenska (SV)	265
Suomi (FI)	285
Română (RO)	305
Ελληνικά (EL)	325
Türkçe (TR)	345
عربي (AR)	385
日本語 (JP)	385
簡中	403

**POMEMBNO!
NATANČNO PREBERITE
IN SHRANITE ZA
POZNEJŠO UPORABO**

Vsebina

Informacije o izdelku	225
Registracija izdelka	
Garancija	
Kontakt	
Zahteve glede uporabe	226
Opoziilo	227
Seznam delov	231
Nastavitev izdelka	233
Uporaba izdelka	235
Dodatki	238
Odstranitev in namestitvev mehkih delov	241
Nega in vzdrževanje	241

Informacije o izdelku

Št. modela: _____

Datum proizvodnje: _____

Registracija izdelka

Prosimo, vnesite zgornje podatke. Številka modela in datum izdelave sta navedena na nalepki na okvirju vozička.

Za registracijo izdelka obiščite:

www.nunababy.com

Na začetni strani kliknite povezavo „Registriraj opremo“.

Garancija

Naše visoko kakovostne izdelke smo namenoma oblikovali tako, da lahko rastejo skupaj z vašim otrokom in z vašo družino. Ker zaupamo našim izdelkom, naša oprema zagotavlja splošno garancijo na izdelek, ki velja od dneva nakupa dalje. Prosimo, da imate ob uveljavljanju garancije na voljo dokazilo o nakupu, številko modela in datum izdelave.

Podatke o garanciji najdete na:

www.nunababy.com

Na začetni strani kliknite povezavo „Garancija“.

Stik

Za nadomestne dele, vprašanja glede servisiranja ali dodatna vprašanja glede garancije, se obrnite na naš oddelek za pomoč strankam.

info@nunababy.com

www.nunababy.com

Zahteve glede uporabe

Ta otroški voziček je primeren za uporabo z otroki, ki izpolnjujejo naslednje zahteve:

Od rojstva do teže 22 kg oziroma 4 let, kar nastopi prej

Kadar okvir vozička uporabljate s košaro ali lupinico Nuna, glejte zahteve pri uporabi za otroke v zadevnih navodilih za uporabo.

⚠ OPOZORILO

Neupoštevanje teh opozoril in navodil lahko uporabniku, zlasti otrokom, povzroči hude telesne poškodbe ali smrt.

Vedno uporabljajte sistem držal.

Pred uporabo preverite, ali so košara, sedež ali držala sedežne enote pravilno aktivirani.

Ne dovolite, da bi se otrok igral z izdelkom.

Pred uporabo preverite, ali so vsi zapahi aktivirani.

Otroka nikoli ne puščajte nenadzorovanega.

Ta izdelek ni primeren za tek ali rolanje.

Da preprečite poškodbe, pazite, da pri odpiranju in zlaganju izdelka otrok ne bo v bližini.

Dodatki, ki niso odobreni s strani proizvajalca, se ne smejo uporabljati. Uporabljajo se lahko samo nadomestni deli, ki jih dobavi ali priporoči proizvajalec/distributer.

Izdelek naj sestavi odrasla oseba.

VEDNO nastavite parkirno zavoro, ko se ustavite.

Poškodb, ki jih povzroči uporaba dodatkov, ki jih ni dobavilo podjetje Nuna, garancija ne krije.

Kakršnakoli obremenitev, ki je pritrjena na ročaj in/ali na hrbtno stran naslonjala in/ali ob strani vozička, bo vplivala na stabilnost vozička.

Prepričajte se, da je voziček v celoti odprt in zapahnen, preden otrok pride v bližino vozička.

NE prevažajte dodatnih otrok, produktov, dodatkov v ali na vozičku, razen tistih, ki so dovoljene, kar je razvidno iz tega priročnika. Lahko povzročijo nestabilnost vozička.

NE pustite vozička v bližini močnega vira toplote, npr. radiatorja ali odprtega ognja.

NE odlagajte nobenih predmetov na strehico vozička.

NE shranjujte vozička v vlažnem prostoru. Vedno pustite, da se blago posuši na zraku in je oddaljeno od neposrednega vira toplote.

NE uporabljajte košare za shranjevanje kot nosilke za otroka.

NE uporabljajte vozička, če je katerikoli del poškodovan ali manjka.

Ta voziček ne nadomešča otroške posteljice v primeru uporabe avtomobilske lupinice, ki se jo pritrdi na podvozje vozička. Če vaš otrok potrebuje spanec, ga namestite v primeren voziček ali posteljo.

Samostojna uporaba vstavka B ni priporočljiva.

Majhne dele hranite proč od otrok, saj obstaja nevarnost zadušitve.

Preko robnikov in grobih površin vozite previdno. Ponavljajoči se udarci lahko poškodujejo voziček.

NIKOLI ne dovolite otrokom, da bi na vozičku stali.

NIKOLI v vozičku ne prevažajte več kot enega otroka.

NIKOLI ne uporabljajte vozička na stopnicah ali tekočih stopnicah. V nasprotnem primeru lahko izgubite nadzor nad vozičkom ali pa vaš otrok lahko pade iz vozička.

Varnostni pas mora biti vedno pravilno nameščen in nastavljen. Varnostni pas ne nadomešča ustreznega nadzora odrasle osebe.

Pri polaganju otroka v in odstranjevanju otroka, mora biti varnostna zavora nameščena.

Preobremenitev, nepravilno zlaganje in uporaba dodatkov, npr. avtomobilske lupinice, kljuge za torbe, pokrivala za dež, otroške deske (t.i. buggy board) itd., razen tistih, ki jih je odobrilo podjetje Nuna, lahko poškodujejo voziček ali voziček zaradi njihove uporabe ni več varen.

Gumijaste pnevmatike lahko na gladkih površinah, kot so parket, laminat in linolej, pustijo črne sledi.

NEVARNOST DAVLJENJA Ne postavljajte predmetov z vrvico okoli otrokovega vratu, ne nameščajte vrvic na ta izdelek ali na igrače.

Da bi se izognili nevarnosti zadušitve, pred uporabo tega izdelka odstranite vso plastično embalažo in jo uničite ali odstranite proč od dosega dojenčkov in otrok!

Da bi preprečili nevarno nestabilnost vozička, v košaro za shranjevanje ne naložite več kot 4,5 kg in v žep za shranjevanje ne več kot 0,45 kg.

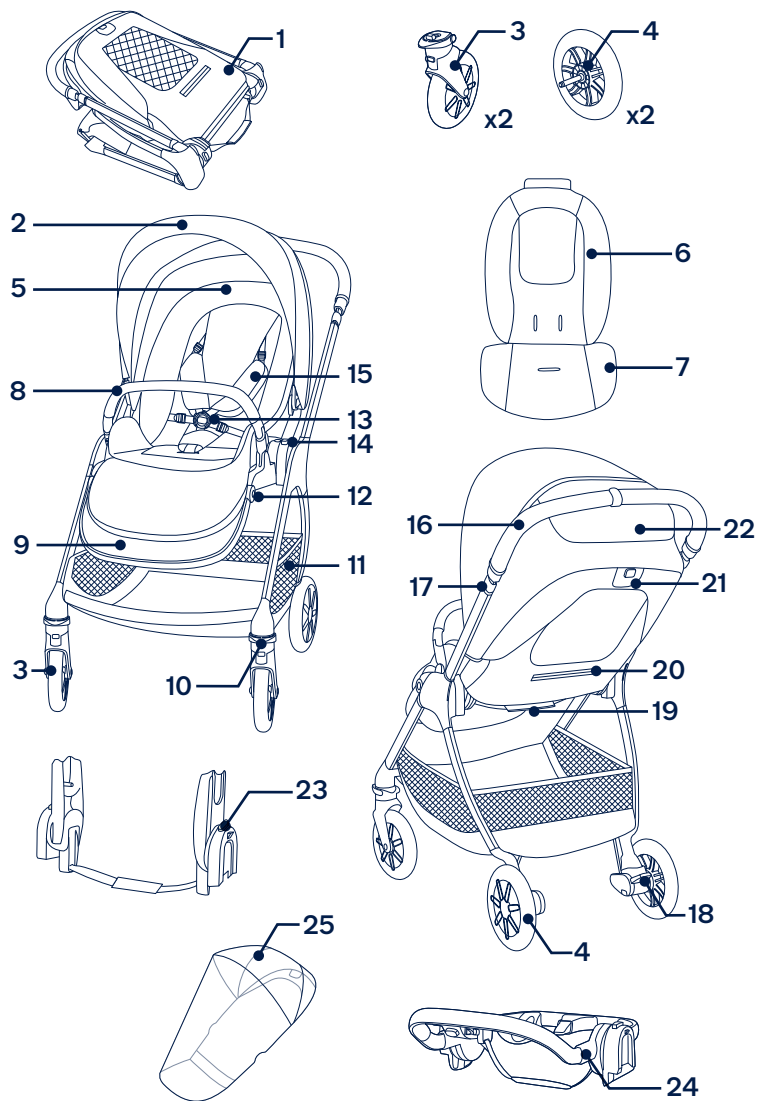
UPORABITE najbolj ležeč položaj, če prevažate novorojenčka.

Voziček lahko uporabljate za otroka, ki je lažji od 22 kg. Če je otrok težji, se voziček poškoduje.

Seznam delov

Pred montažo preverite, ali so na voljo vsi sestavni deli.
Če kateri koli del manjka, se obrnite na lokalnega prodajalca.
Za sestavljanje orodje ni potrebno.

- | | | | |
|----|---|---------------|--|
| 1 | Ogrodje vozička | varnostni pas | |
| 2 | Strehica | 16 | Ročaj |
| 3 | Prednja kolesa (2x) | 17 | Gumb za nastavitev ročaja |
| 4 | Zadnja kolesa (2x) | 18 | Zavorna ročica |
| 5 | Blazina sedala | 19 | Zložljiva tkanina |
| 6 | Vstavek A | 20 | Žep za shranjevanje (največja obremenitev = 0,45 kg) |
| 7 | Vstavek B (samostojna uporaba ni priporočljiva) | 21 | Gumb za nastavitev naklona/tipka za sprostitvev |
| 8 | Naslonjalo za roke | 22 | Okence na stehici otroškega vozička |
| 9 | Podpora meč | 23 | Adapterji za namestitev globoke košare ali lupinice |
| 10 | Zaklep vrtenja | 24 | Obroč za namestitev lupinice |
| 11 | Košara za shranjevanje | 25 | Dežno pokrivalo |
| 12 | Gumb za prilagoditev podpore meč | | |
| 13 | Zaponka | | |
| 14 | Gumb za sprostitvev sedeža | | |
| 15 | Blazinica za ramenski | | |



Namestitev izdelka

Odpiranje otroškega vozička

- 1 - Izvlecite ogrodje vozička. (1)
- 2 - Da odprete okvir vozička, obrnite ročaj navzgor. (2)
- 3 - Potegnite sedež, da ga odprete. (3)
Ko zaslišite »klik«, je sedež odprt.
Pred nadaljevanjem preverite, da je voziček popolnoma odprt.

Obračanje sedeža

Če je to potrebno, lahko lupinico obrnete.

- 1 - Pritisnite gumb za sprostitev lupinice (4)-1 in jo dvignite (4)-2.
- 2 - Obrnite lupinico in jo pritrdite na okvir. (5)
Ko zaslišite »klik«, je lupinica pravilno pritrjena.

Sprednja kolesa

- 1 - Vstavite prednje kolo v prednji nosilec. (6)
Ko zaslišite »klik«, je prednje kolo pravilno pritrjeno.
Preverite, ali je kolo trdno pritrjeno, tako, da ga poskusite izvleči.
Ponovite na nasprotni strani.
- 2 - Za odstranitev prednjega kolesa, pritisnite gumb za sprostitev (7)-1 in snemite zadnje kolo z zadnjega nosilca (7)-2.

Zadnja kolesa

- 1 - Vstavite zadnje kolo v zadnji nosilec. (8)
Ko zaslišite »klik«, je zadnje kolo pravilno pritrjeno.
Preverite, ali je kolo trdno pritrjeno, tako, da ga poskusite izvleči.
Ponovite na nasprotni strani.
- 2 - Za odstranitev zadnjega kolesa pritisnite gumb za sprostitev (9)-1 in snemite zadnje kolo z zadnjega nosilca (9)-2.

Naslonjalo za roke

- ! Otroka vedno zaščitite z varnostnim pasom. Naslonjalo za roke ni naprava za zaščito otroka.
- 1 - Poravnajte konce naslonjala za roke z nosilcem naslonjala za roke in ga vstavite, dokler se ne zaskoči. (10)
Ko zaslišite »klik«, je nosilec za roke pravilno pritrjen.
 - 2 - Za odstranitev naslonjala za roke, pritisnite gumbe za sprostitev naslonjala za roke (11)-1 in odstranite naslonjalo (11)-2.

Preverjanje namestitev

- Okvir vozička je odprt
- Sedalo vozička je varno pritrjeno
- Zadnja in prednja kolesa so varno pritrjena
- Naslonjalo za roke je varno pritrjeno

Uporaba izdelka

Zavarovanje vašega otroka

- 1 - Pritisnite gumb na sredini zaponke, da sprostite zaponko, odstranite zaponke in namestite otroka v voziček. **(12)**
- 2 - Povežite zaponko za ramena in zaponko za pas. **(13)**
- 3 - Zaponko za ramenu in zaponko za pas pritrdite na glavno zaponko sponke in ponovite na nasprotni strani. **(14)**
- 4 - Pas otroku namestite tako, da nastavitvene trakove povlečete in zategnete toliko, da se mu tesno prilagajajo **(15)-1**. Nato povlecite trakove za nastavev pasu navzven **(15)-2**.

Položaj ramenskega pasu

- 1 - Zaponke ramenskega varnostnega pasu lahko za dodatno nastavev premikate gor in dol. **(16)**
- ! Da bi se izognili resnim poškodbam zaradi padca ali zdrsa, otroka vedno pritrdite z varnostnim pasom.
- Prepričajte se, da je pas pravilno nastavljen in da je vaš otrok dobro zavarovan. Med otrokom in ramenskim pasom mora biti približno za debelino enega prsta prostora.
- NE križajte ramenskih pasov. To namreč povzroči pritisk na otrokov vrat.

Strehica

- 1 - Če želite odpreti strehico, jo potegnite proti sprednjemu delu sedeža in potegnite nazaj, da bi jo zložili. **(17)**
- 2 - Odpnite zadrgo na strehici za dodatno senco. **(18)**
- 3 - Za dodatno prezračevanje, obrnite zaščito proti vetru navzgor. **(19)**

Naklon

Naslonjalo lahko nastavite v 4 različne položaje naklona.

- 1 - Za dvig ali spust naslonjala, stisnite gumb za nastavev naklona **(20)-1** in naslonjalo potegnite navzgor ali navzdol **(20)-2**.
- ! Ne pritiskajte gumba **(20)-3** na sredini gumba za nastavljanje naklona, medtem ko nastavljate naklon. Prepričajte se, da je naklon pravilno nastavljen glede na način uporabe.

Podpora meč

Podpora za meča omogoča 2 položaja uporabe.

- 1 - Če želite dvigniti podporo za meča, jo dvignite.
- 2 - Če želite spustiti podporo za meča, pritisnite gumb za nastavev **(21)-1** in podporo potisnite navzdol **(21)-2**.

Ročaj

Ročaj omogoča 5 položajev nastavitve.

- 1 - Za nastavev višine ročaja, potegnite gumb za nastavev ročaja **(22)-1** in potegnite ročaj gor ali dol **(22)-2**.

Zavora

- 1 - Za zaklep zadnjih koles spustite zavorno ročico. **(23)**
 - 2 - Za odklep zadnjih koles dvignite zavorno ročico. **(24)**
- ! Ko voziček stoji na mestu, naj bo zavorna ročica vedno spuščena. Voziček rahlo potisnite, da se prepričate, da so kolesa zaklenjena.

Zaklep vrtenja sprednjih koles

Na neravnih površinah priporočamo uporabo zaklepa vrtenja sprednjih koles.

- 1 - Povlecite sprednji zaklep vrtenja navzgor, da blokirate sprednje kolo. **(25)**
- 2 - Potisnite sprednji zaklep vrtenja navzdol, da kolesa odblokirate. **(26)**

Zlaganje

Voziček je mogoče zložiti s sedežem, obrnjenim naprej, s sedežem, obrnjenim nazaj, ali brez sedeža. Pred zlaganjem vozička nastavite ročaj v najnižji položaj in se prepričajte, da je zaklep sprednjih koles odklenjen.

- 1 - Zložite strehico. **(27)**
 - 2 - Pritisnite gumb za zlaganje vozička **(28)**-1, ki se nahaja na sredini gumba za nastavev nagiba in nato pritisnite gumb za nastavev nagiba **(28)**-2.
 - 3 - Zložite sedalo. **(29)**
 - 4 - Potegnite zložljivo tkanino sedeža, da zložite voziček. **(30)**
 - 5 - Voziček s sedežem, obrnjenim naprej, lahko stoji na kolesih in s sedežem, obrnjenim nazaj, lahko stoji na ročaju in zadnjih kolesih. **(31)**
 - 6 - Pritisnite gumbe za zlaganje na nastavkih sedeža. **(32)**
 - 7 - Zložite voziček. **(33)**
- ! Voziček brez sedeža, lahko stoji na ročaju in zadnjih kolesih.

Vstavek

- 1 - Če želite sestaviti vstavek, slednjega namestite prek sedeža ter ramenski pas in pas, ki poteka prek mednožja, speljite skozi ustrezne odprtine. **(34)**
- 2 - Pritrdite kavelj in zanke. **(35)**

Dodatki

! Nekateri modeli nimajo vključenih vseh dodatkov.

Adapterji za globoko košaro in lupinico

Za uporabo lupinice Nuna in montaži in uporabi globoke košare TRIV, si oglejte navodila za uporabo vozička in globoke košare za dojenčke.

- 1 - Če želite pritrditi adapterje za globoko košaro in lupinico, jih namestite na adapterje ogrodja vozička. Ko zaslišite »klik«, so adapterji pravilno pritrjeni. **(36)(37)**
- 2 - Če želite pritrditi lupinico, jo namestite na adapterje za globoko košaro in lupinico. Ko zaslišite »klik«, je lupinica pravilno pritrjena. **(38)**
- 3 - Če želite pritrditi globoko košaro, jo namestite na adapterje za globoko košaro in lupinico. Ko zaslišite »klik«, je globoka košara pravilno pritrjena. **(39)**
- 4 - Lupinica se na adapterje lahko pritrdi obrnjena nazaj ali v smeri vožnje. **(40)**
- 5 - Košara se na adapterje lahko pritrdi obrnjena nazaj ali v smeri vožnje. **(41)**
- 6 - Za odstranitev lupinice, potisnite gumbe za sprostitvev na lupinici **(42)**-1 in jo dvignite **(42)**-2.

7 - Za odstranitev globoka košare, potisnite gumbe za sprostitev ob straneh globoke košare **(43)-1** in jo dvignite **(43)-2**.

8 - Za odstranitev adapterjev, potegnite gumbe za sprostitev adapterja **(44)-1** in adapterje odstranite **(44)-2**.

! Pred zlaganjem odstranite lupinico in globoko košaro.

Ob zlaganju, adapterjev za globoko košaro in lupinico ni potrebno odstraniti.

Pred zlaganjem vozička z adapterji za globoko košaro in lupinico, nastavite ročaj v najnižji položaj in se prepričajte, da je zaklep sprednjih koles odklenjen.

1 - Potegnite zložljivo tkanino adapterjev za globoko košaro in lupinico, da zložite voziček. **(45)**

! Voziček z nameščenimi adapterji za globoko košaro in lupinico, lahko stoji na ročaju in zadnjih kolesih.

Obroč za namestitev lupinice

Za montažo in uporabo lupinice Nuna, si oglejte navodila za uporabo lupinice.

1 - Če želite pritrditi obroč za namestitev lupinice, namestite adapter obroča za namestitev lupinice na ogrodja sedeža. **(46)** Zvok »klik« pomeni, da je adapter za obroč za namestitev lupinice zaklenjen.

2 - Če želite pritrditi lupinico, jo namestite na obroč za namestitev lupinice. Ko zaslišite »klik«, je lupinica pravilno pritrjena. **(47)**

3 - Lupinica in obroč za namestitev lupinice se lahko pritrdi obrnjena nazaj ali v smeri vožnje. **(48)**

4 - Za odstranitev lupinice, sprostite drugi varnostni zaklep za adapter **(49)-1**, nato pritisnite gumb za sprostitev na hrbtni strani lupinice **(49)-2** in dvignite lupinico **(49)-3**.

5 - Za odstranitev obroča za namestitev lupinice, potegnite gumbe za sprostitev adapterja **(50)-1** in obroč odstranite **(50)-2**.

! Pred zlaganjem odstranite lupinico.

Voziček lahko zložite z nameščenim obročem za namestitev lupinice

Pred zlaganjem vozička z obročem za namestitev lupinice, nastavite ročaj v najnižji položaj in se prepričajte, da je zaklep sprednjih koles odklenjen.

1 - Potegnite zložljivo tkanino obroča za namestitev lupinice, da zložite voziček. **(51)**

! Voziček z nameščenim obročem za namestitev lupinice lahko stoji na ročaju in zadnjih kolesih.

TRIV Dežno pokrivalo

Pred nameščanjem dežnega pokrivala se prepričajte, ali je strehica popolnoma odprta.

1 - Dežno pokrivalo namestite tako, da ga raztegnete prek otroškega vozička. **(52)**

! Kadar je na izdelku nameščeno dežno pokrivalo, **VEDNO** preverite prezračevanje.

Pred shranjevanjem **VEDNO** preverite, ali je dežno pokrivalo čisto in suho.

Kadar je na vozički nameščeno dežno pokrivalo, vozička **NE** zlagajte.

V vročem vremenu otroka **NE** prevažajte v vozičku z nameščenim dežnim pokrivalom.

Odstranitev in namestitvev mehkih delov

Da odstranite mehke dele sedeža, sledite korakom od (53) do (66), kot je prikazano. Da mehke dele znova namestite, zgornje korake opravite v obratnem vrstnem redu.

Nega in vzdrževanje

Okvir, plastične dele in tkanino čistite z vlažno krpo, ne uporabljajte abrazivov ali belil. Ne uporabljajte silikonskih maziv, saj bodo pritegnili umazanijo. Ne shranjujte vozička v vlažnem prostoru.

Kolesa vozička redno čistite z vodo in odstranite vso morebitno umazanijo.

Da bi zagotovili dolgotrajno uporabo, po uporabi v deževnem vremenu voziček obrišite z mehko, vpojno krpo.

Navodila za pranje in sušenje so navedena na etiketi, ki je pritrjena na mehki del vozička.

Normalno je, da tkanina na sončni svetlobi posvetli in da se po dolgem času uporabe, tudi če se voziček uporablja v skladu z navodili, pokažejo sledi obrabe.

Iz varnostnih razlogov uporabljajte samo originalne dele Nuna.

Redno preverjajte, ali vse deluje pravilno. Če je katerikoli del raztrgan, zlomljen ali manjka, prenehajte z uporabo tega izdelka.

NUNA International B.V. Nuna in vsi povezani logotipi so zaščitene blagovne znamke.

**ВАЖНО!
ВНИМАТЕЛЬНО
ПРОЧИТЕ И
СОХРАНИТЕ НА
БУДУЩЕЕ**

Содержание

Информация об изделии	245
Регистрация изделия	
Гарантия	
Контактная информация	
Рост и вес ребенка	246
Предупреждения	247
Комплектность	251
Установка изделия	253
Эксплуатация изделия	255
Принадлежности	259
Снятие и надевание тканевых деталей	262
Очистка и уход за изделием	263

Информация об изделии

Номер модели: _____

Дата изготовления: _____

Регистрация изделия

Заполните вышеуказанные сведения. Номер модели и дата изготовления указаны на этикетке, расположенной на раме коляски.

Для регистрации изделия посетите веб-сайт:

www.nunababy.com

Щелкните ссылку "Регистрация устройства" на главной странице.

Гарантия

Мы специально создаем высококачественные изделия, которые могут служить вашему ребенку и всей семье долгие годы. Мы гарантируем качество наших изделий, поэтому на наши механизмы предоставляется потребительская гарантия, начиная с момента их покупки. Обращаясь к нам, предоставьте кассовый чек, сообщите номер модели и дату изготовления.

Для просмотра сведений о гарантии посетите веб-сайт:

www.nunababy.com

Щелкните ссылку "Гарантия" на главной странице.

Контактная информация

Для получения запасных частей, услуг или дополнительных сведений о гарантии обращайтесь в наш отдел обслуживания клиентов.

info@nunababy.com

www.nunababy.com

Рост и вес ребенка

Данная коляска предназначена для детей, соответствующих приведенным ниже требованиям.

С рождения до достижения веса в 22 кг или возраста 4 лет, в зависимости от того, что наступит ранее

При использовании рамы коляски с различными переносными люльками Nuna следует соблюдать требования к росту, весу и росту ребенка, приведенные в данной инструкции.

⚠ ВНИМАНИЕ!

Несоблюдение этих предупреждений и инструкций может привести к причинению серьезного вреда здоровью ребенка или летальному исходу.

Всегда используйте систему фиксации.

Перед использованием коляски убедитесь, что все крепежные устройства на коляске, сидении или автокресле задействованы надлежащим образом.

Не позволяйте ребенку играть с данным изделием.

Прежде чем использовать коляску, убедитесь, что задействованы все фиксаторы.

Никогда не оставляйте ребенка без присмотра.

Данное изделие не предназначено для бега или катания на роликах.

Во избежание причинения вреда здоровью ребенка не складывайте и не раскладываете коляску вблизи ребенка.

Не разрешается использовать принадлежности, не одобренные изготовителем. Разрешается использовать только запасные части, поставляемые или рекомендованные изготовителем/дистрибьютором.

Сборку должны осуществлять взрослые.

Совершая остановку, **ОБЯЗАТЕЛЬНО** задействуйте тормоз.

Гарантия не распространяется на любые повреждения, вызванные использованием принадлежностей, не поставляемых компанией Nuna.

Прикрепление любого груза к рукоятке, к спинке или боковым частям коляски приведет к нарушению ее устойчивости.

Не разрешайте ребенку подходить к коляске, если она не полностью разложена и закреплена

ЗАПРЕЩАЕТСЯ перевозить в коляске нескольких детей, а также дополнительные товары и принадлежности, не разрешенные в данном руководстве. Иначе коляска может потерять устойчивость.

ЗАПРЕЩАЕТСЯ оставлять коляску вблизи и под воздействием сильного источника тепла, например у радиатора или открытого огня.

ЗАПРЕЩАЕТСЯ размещать любые предметы на козырьке.

ЗАПРЕЩАЕТСЯ хранить коляску в сыром месте. Сушите тканевые детали естественным способом вдали от прямых солнечных лучей.

ЗАПРЕЩАЕТСЯ помещать ребенка в вещевую корзину.

ЗАПРЕЩАЕТСЯ использовать коляску, если любые из ее деталей повреждены или отсутствуют.

Автолюлька, установленная на раму данной коляски, не заменяет люльку или кроватку для новорожденных. Чтобы уложить ребенка спать, его необходимо перенести в подходящую лежащую коляску, люльку или кровать.

Не рекомендуется использовать только вкладыш В.

Храните мелкие детали в недоступном для детей месте, так как они могут стать причиной удушья.

Соблюдайте осторожность на бордюрах и неровной дороге. Многократное ударное воздействие может привести к поломке коляски.

КАТЕГОРИЧЕСКИ ЗАПРЕЩАЕТСЯ разрешать детям стоять в коляске.

КАТЕГОРИЧЕСКИ ЗАПРЕЩАЕТСЯ перевозить в коляске одновременно нескольких детей.

КАТЕГОРИЧЕСКИ ЗАПРЕЩАЕТСЯ использовать коляску на лестницах и эскалаторах. Вы можете внезапно утратить контроль над коляской или ваш ребенок может выпасть из нее.

Ремни должны быть правильно зафиксированы и отрегулированы. Ремни не могут служить равноценной заменой присмотру взрослых.

Перед тем как помещать ребенка в коляску или извлекать его из коляски, необходимо задействовать тормоз.

Перегрузка, неправильное сложение и использование принадлежностей, например детских сидений, крючков для сумок, дождевиков, подножек и т.п., не разрешенных компанией Nuna, могут нарушить функции коляски или сделать ее использование небезопасным.

Резиновые шины могут оставлять черные следы на гладкой поверхности, такой как паркет, ламинат и линолеум.

ОПАСНОСТЬ УДУШЕНИЯ Запрещается помещать предметы с лентами и веревками вокруг шеи ребенка, свешивать ленты и веревки с коляски, а также прикреплять веревки и ленты к игрушкам.

Во избежание удушья снимите все пластиковые обертки перед использованием изделия, утилизируйте их или храните вдали от младенцев и детей старшего возраста!

Во избежание опасного опрокидывания коляски не помещайте в вещевую корзину предметы весом более 4,5 кг, а в вещевой карман - более 0,45 кг.

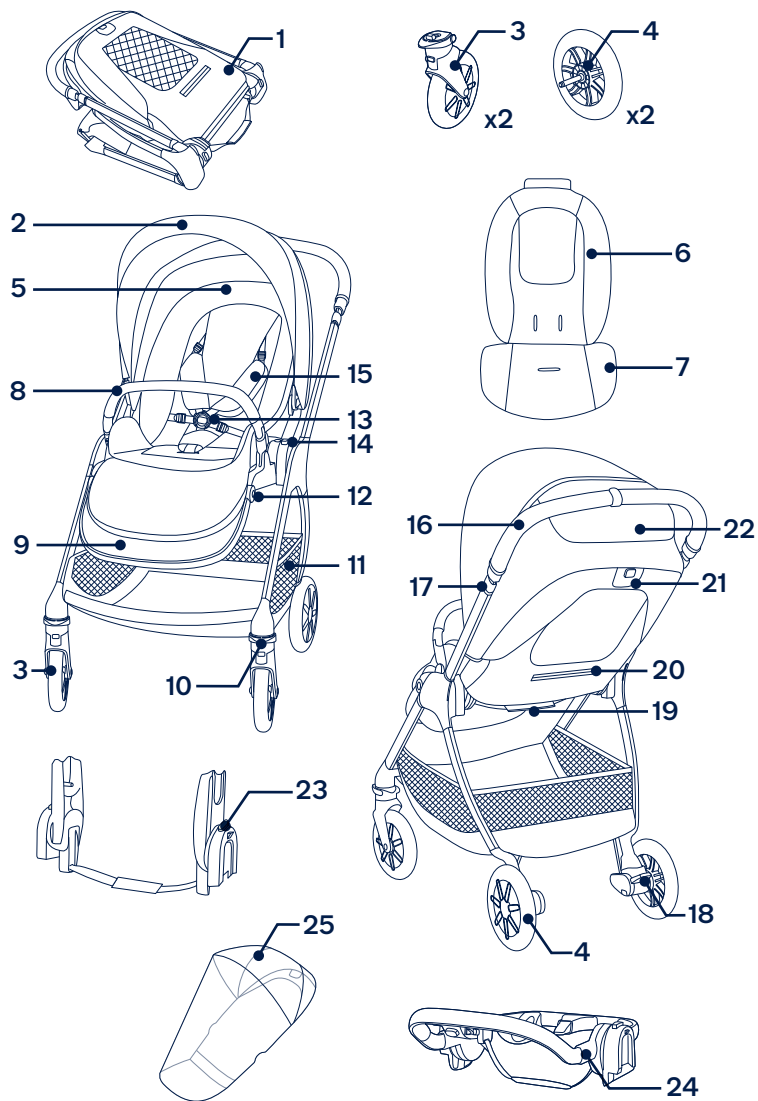
Для новорожденных рекомендуется ИСПОЛЬЗОВАТЬ самое нижнее положение наклона.

В коляске допускается перевозить детей весом не более 22 кг. Перевозка в коляске детей большего веса может привести к ее повреждению.

Комплектность

Перед сборкой данного изделия проверьте наличие всех деталей. В случае отсутствия любых деталей обратитесь в магазин, где было приобретено данное изделие. Для сборки не требуются инструменты.

- | | | | |
|----|--|----|--|
| 1 | Рама коляски | 15 | Подкладка плечевых ремней |
| 2 | Козырек | 16 | Рукоятка |
| 3 | Передние колеса (2 шт.) | 17 | Кнопка регулировки рукоятки |
| 4 | Задние колеса (2 шт.) | 18 | Педаль тормоза |
| 5 | Подкладка сиденья | 19 | Петля для складывания |
| 6 | Вкладыш А | 20 | Вещевой карман (максимальная нагрузка = 0,45 кг) |
| 7 | Вкладыш В (не рекомендуется использовать отдельно) | 21 | Кнопка регулировки наклона/ Кнопка фиксатора для складывания |
| 8 | Поручень | 22 | Окно в козырьке |
| 9 | Опора для ног | 23 | Адаптеры стойки |
| 10 | Фиксатор переднего колеса | 24 | Круговой адаптер для автомобильного сиденья |
| 11 | Вещевая корзина | 25 | Дождевик |
| 12 | Рычаг для регулировки опоры для ног | | |
| 13 | Пряжка | | |
| 14 | Кнопка фиксатора сиденья | | |



Установка изделия

Раскладывание коляски

- 1 - Снимите коляску с рамы. (1)
- 2 - Поверните рукоятку вверх, чтобы открыть раму коляски. (2)
- 3 - Потяните за сиденье и разложите его. (3)
При полном раскладывании сиденья слышится характерный “щелчок”.
Перед продолжением убедитесь, что коляска полностью зафиксирована в разложенном состоянии.

Поворот сиденья

При необходимости поверните сиденье.

- 1 - Нажмите на кнопку фиксатора сиденья (4)-1 и поднимите сиденье вверх (4)-2.
- 2 - Переверните сиденье и прикрепите его к раме. (5)
При полной фиксации сиденья слышится характерный “щелчок”.

Передние колеса

- 1 - Прикрепите переднее колесо к передней ножке. (6)
При полной сборке переднего колеса слышится характерный “щелчок”.
Потяните за колесо, чтобы проверить надежность его крепления.
Повторите эту операцию с противоположной стороны.
- 2 - Чтобы снять переднее колесо, нажмите на кнопку фиксатора (7)-1 и отсоедините переднее колесо от передней ножки (7)-2.

Задние колеса

- 1 - Прикрепите заднее колесо к задней ножке. (8)
При полной сборке заднего колеса слышится характерный “щелчок”.
Потяните за колесо, чтобы проверить надежность его крепления.
Повторите эту операцию с противоположной стороны.
- 2 - Чтобы снять заднее колесо, нажмите на кнопку фиксатора (9)-1 и отсоедините заднее колесо от задней ножки (9)-2.

Поручень

- ! Обязательно пристегивайте ребенка ремнем.
Поручень не является удерживающим устройством.
- 1 - Совместите края поручня с соответствующими креплениями и вставьте поручень до щелчка. (10)
При полной сборке поручня слышится характерный “щелчок”.
 - 2 - Чтобы снять поручень, нажмите на кнопки фиксаторов поручня (11)-1 и отсоедините поручень (11)-2.

Проверка установки

- Рама коляски находится в разложенном состоянии
- Сиденье коляски надежно прикреплено
- Задние и передние колеса надежно прикреплены
- Поручень надежно прикреплен

Эксплуатация изделия

Фиксация ребенка

- 1 - Нажмите на центральную кнопку на пряжке, чтобы расстегнуть фиксатор пряжки, снимите зажимы и поместите ребенка в коляску. (12)
- 2 - Присоедините плечевую пряжку и поясную пряжку. (13)
- 3 - Застегните плечевую и поясную пряжки и повторите те же действия с другой стороны. (14)
- 4 - Зафиксируйте ребенка ремнями. Для этого затяните их с помощью регулировочных ремешков (15)-1. Затем вытяните поясные регулировочные ремни (15)-2.

Подкладка плечевых ремней

- 1 - Верхние пряжки на плечевых ремнях сдвигаются вверх и вниз для дополнительной регулировки. (16)
- ! Во избежание причинения тяжкого вреда здоровью ребенка в результате падения или выскальзывания из коляски обязательно пристегивайте ребенка ремнем.

Убедитесь, что ремни хорошо отрегулированы, а ребенок надежно зафиксирован. Расстояние между телом ребенка и плечевыми ремнями должно составлять примерно толщину одного пальца.

ЗАПРЕЩАЕТСЯ перекрещивать плечевые ремни. Это приведет к сдавливанию шеи ребенка.

Козырек

- 1 - Чтобы раскрыть козырек, потяните его вперед, а чтобы сложить - потяните назад. (17)
- 2 - Чтобы увеличить защиту от солнца, расстегните застежку-молнию на козырьке. (18)
- 3 - Для дополнительной вентиляции откройте окно в козырьке. (19)

Наклон

Спинку можно установить в 4 положениях наклона.

- 1 - Чтобы поднять или опустить спинку, сожмите кнопку регулировки наклона (20)-1 и поднимите или опустите спинку (20)-2.
- ! Не нажимайте на кнопку (20)-3 в центре рукоятки регулировки наклона, регулируя угол наклона. Установите подходящий для использования наклон спинки.

Опора для ног

Опору для ног можно установить в 2 положениях.

- 1 - Чтобы поднять опору для ног, выберите верхнее положение.
- 2 - Чтобы опустить опору для ног, нажмите на кнопку регулировки (21)-1 и выберите нижнее положение (21)-2.

Рукоятка

Рукоятка имеет 5 положений.

- 1 - Чтобы отрегулировать высоту рукоятки, сожмите кнопку регулировки рукоятки (22)-1 и поднимите или опустите рукоятку (22)-2.

Тормоз

- 1 - Чтобы заблокировать задние колеса, нажмите на рычаг тормоза. (23)
 - 2 - Чтобы разблокировать задние колеса, поднимите рычаг тормоза. (24)
- ! Остановив коляску, обязательно задействуйте тормоз. Слегка подвигайте коляску, чтобы проверить, сработал ли тормоз.

Фиксаторы передних колес

Фиксаторы передних колес рекомендуется использовать на неровных поверхностях.

- 1 - Чтобы заблокировать переднее колесо, поднимите фиксатор передних колес. (25)
- 2 - Чтобы снять блокировку, нажмите на фиксатор передних колес. (26)

Сложение

Коляску можно сложить с сиденьем, расположенным по ходу движения или против хода движения, а также без сиденья. Перед тем, как складывать коляску, установите рукоятку в самое нижнее положение и убедитесь, что фиксаторы передних колес не заблокированы.

- 1 - Сложите козырек. (27)
- 2 - Нажмите на кнопку фиксатора для складывания (28)-1, расположенную в центре кнопки регулировки наклона, а затем сожмите кнопку регулировки наклона (28)-2.
- 3 - Сложите сиденье. (29)
- 4 - Потяните за петлю для складывания сиденья, чтобы сложить коляску. (30)
- 5 - Коляска с сиденьем, расположенным лицом по ходу движения, может опираться на колеса, а с сиденьем в режиме лицом против хода движения - на рукоятку и задние колеса. (31)
- 6 - Нажмите на кнопки складывания на креплениях сиденья. (32)
- 7 - Сложите коляску. (33)
! Коляска без сиденья может опираться на рукоятку и задние колеса.

Вкладыш

- 1 - Для сборки вкладыша поместите его поверх сиденья и проденьте плечевые, поясные и паховые ремни в соответствующие отверстия. (34)
- 2 - Прикрепите застёжки «липучки». (35)

Принадлежности

! В комплект поставки некоторых моделей входят не все принадлежности.

Адаптеры стойки

Для сборки и эксплуатации переносных люлек Nuna и TRIV см. руководства по эксплуатации к соответствующим люлькам.

- 1** - Чтобы прикрепить адаптеры стойки, вставьте их в крепления сиденья. При полной фиксации адаптеров стойки слышится характерный **“щелчок”**. (36)(37)
- 2** - Чтобы прикрепить переносную люльку, поставьте ее на адаптеры стойки. При фиксации переносной люльки слышится характерный **“щелчок”**. (38)
- 3** - Чтобы прикрепить переносную люльку, поставьте ее на адаптеры стойки. При фиксации переносной люльки слышится характерный **“щелчок”**. (39)
- 4** - Переносную люльку можно устанавливать на адаптере стойки как в положении лицом по направлению движения, так и против направления движения. (40)
- 5** - Переносную люльку можно устанавливать на адаптерах стойки как в положении лицом по направлению движения, так и против направления движения. (41)
- 6** - Чтобы снять переносную люльку, нажмите расположенные на ней кнопки фиксаторов (42)-1 и поднимите ее (42)-2.
- 7** - Чтобы снять переносную люльку, нажмите расположенные сбоку кнопки фиксаторов (43)-1 и поднимите ее (43)-2.

8 - Чтобы снять адаптеры стойки, потяните за кнопки фиксации адаптеров (44)-1 и поднимите адаптеры (44)-2.

! Перед тем, как складывать коляску, снимите переносную люльку.

Складывание коляски с адаптерами стойки

Перед тем, как складывать коляску с адаптерами стойки, установите рукоятку в самое нижнее положение и убедитесь, что фиксаторы передних колес не заблокированы.

1 - Потяните за петлю для складывания адаптеров стойки, чтобы сложить коляску. (45)

! Коляска с адаптерами стойки может опираться на рукоятку и задние колеса.

Круговой адаптер для автомобильного сиденья

Для сборки и эксплуатации переносной люльки Nuna см. руководство по эксплуатации к переносной люльке.

- 1** - Чтобы прикрепить круговой адаптер для автомобильного сиденья, установите его на крепление сиденья. (46) В случае успешной фиксации кругового адаптера для автомобильного сиденья слышится характерный **“щелчок”**.
- 2** - Чтобы прикрепить переносную люльку, поставьте ее на круговой адаптер для автомобильного сиденья. При фиксации переносной люльки слышится характерный **“щелчок”**. (47)
- 3** - Переносную люльку с круговым адаптером для автомобильного сиденья можно установить в направлении лицом по ходу движения или против хода движения. (48)

4 - Чтобы снять переносную люльку, расстегните второй защитный фиксатор адаптера **(49)-1**, нажмите на кнопку фиксатора, расположенную с обратной стороны переносной люльки **(49)-2**, и поднимите переносную люльку **(49)-3**.

5 - Чтобы снять круговой адаптер для автомобильного сиденья, потяните за кнопки фиксации адаптера **(50)-1** и поднимите адаптер **(50)-2**.

! Перед тем, как складывать коляску, снимите переносную люльку. Складывание коляски с круговым адаптером для автомобильного сиденья

Перед тем, как складывать коляску с круговым адаптером для автомобильного сиденья, установите рукоятку в самое нижнее положение и убедитесь, что фиксаторы передних колес не заблокированы.

1 - Потяните за петлю для складывания кругового адаптера для автомобильного сиденья, чтобы сложить коляску. **(51)**

! Коляска с круговым адаптером для автомобильного сиденья может опираться на рукоятку и задние колеса.

TRIV Дождевик

Перед тем, как прикреплять дождевик, полностью откройте козырек.

1 - Для сборки дождевика накройте им коляску. **(52)**

! **ОБЯЗАТЕЛЬНО** проверяйте вентиляцию, если изделие накрыто дождевиком.

Перед тем, как складывать дождевик, его следует **ОБЯЗАТЕЛЬНО** очистить и высушить.

ЗАПРЕЩАЕТСЯ складывать коляску, к которой прикреплен дождевик.

ЗАПРЕЩАЕТСЯ помещать ребенка в коляску, к которой прикреплен дождевик, в жаркую погоду.

Снятие и надевание деталей из ткани

Чтобы снять тканевые детали сиденья, выполните действия **(53)** - **(66)**, как показано на рисунке. Чтобы снова установить тканевые детали, выполните указанные действия в обратном порядке.

Очистка и уход за изделием

Для очистки рамы, а также пластмассовых и тканевых деталей можно использовать влажную салфетку, но запрещается использовать абразивные средства и отбеливатели. Не используйте силиконовые смазки, так как к ним прилипает пыль и грязь. **ЗАПРЕЩАЕТСЯ** хранить коляску в сыром месте.

Регулярно мойте колеса коляски водой и очищайте коляску от грязи.

Для продления срока эксплуатации протирайте коляску мягкой впитывающей салфеткой после использования в дождливую погоду.

Инструкции по стирке и сушке содержатся на этикетке об уходе, прикрепленной к тканевым деталям.

Ткань имеет свойство выгорать на солнце и изнашиваться при длительной эксплуатации даже при соблюдении всех инструкций.

В целях безопасности рекомендуется использовать только оригинальные детали Nuna.

Регулярно проверяйте исправность всех компонентов изделия. Прекратите использовать изделие, если любая из деталей сломана, разорвана или отсутствует.

**VIKTIGT!
LÄS IGENOM NOGA
OCH SPARA FÖR
FRAMTIDA REFERENS**

Innehåll

Produktinformation	267
Produktinformation	
Garanti	
Kontakt	
Krav barnanvändning	268
Varning	269
Lista över delar	273
Produktinställning	275
Produktanvändning	277
Tillbehör	280
Ta bort och montera mjuka delar	282
Rengöring och underhåll	283

Produktinformation

Modellnummer: _____

Tillverkningsdatum: _____

Produktregistrering

Fyll i ovanstående information. Modellnumret och tillverkningsdatumet är placerat på etiketten på vagnens ram.

För att registrera produkten, besök:

www.nunababy.com

Klicka på länken "Registrera utrustning" på webbplatsen.

Garanti

Vi har avsiktligt designat våra högkvalitativa produkter så att de kan växa med både ditt barn och med din familj. Eftersom vi står för våra produkter täcks vår utrustning av en kundgaranti per produkt, med start från inköpsdagen. Ha bevis på köpet, modellnumret och tillverkningsdatum tillgängligt när du kontaktar oss.

För garantiinformation besök:

www.nunababy.com

Klicka på länken "Garanti" på hemsidan.

Kontakt

För utbytesdelar, service eller ytterligare garantifrågor, kontakta vår kundtjänstavdelning

info@nunababy.com

www.nunababy.com

Krav barnanvändning

Denna barnvagnssits är lämplig att använda för barn som uppfyller följande krav:

Nyfödd till 22 kg eller 4 år beroende på vilket som inträffar först

När sittvagnens ram används med babylift eller Nuna-bilstol för spädbarn så se reglerna för barn som finns i deras bruksanvisningar.

⚠ VARNING

Underlåtenhet att följa dessa varningar och instruktioner kan resultera i allvarlig skada eller dödsfall.

Använd alltid bältesystemet.

Kontrollera att fastsättningsanordningarna för insatsen eller sittdelen är korrekt fastsatta innan vagnen tas i bruk.

Låt inte barnet leka med denna produkt.

Se till att alla låsanordningar är spärrade innan du använder vagnen.

Lämna aldrig barnet utan uppsikt.

Denna produkt är inte lämplig för att springa eller åka inlines med.

För att undvika skada, se till att barnet är ur vägen när du faller ut och ihop denna produkt.

Accessoarer som inte är godkända av tillverkaren ska inte användas. Endast reservdelar som medföljer eller som rekommenderas av tillverkaren/distributören skall användas.

Måste monteras av vuxen.

Koppla **ALLTID** in bromsen när du stannar.

Eventuella skador som orsakas av användning av tillbehör som inte levereras av Nuna kommer inte att omfattas av garantin.

All last som fästs på handtaget och/eller ryggstödet baksida och/eller på sidorna av fordonet påverkar stabiliteten hos fordonet.

Var noga med att barnvagnen är helt uppfälld och fasthakad innan ett barn får komma i närheten av barnvagnen.

Transportera INTE ytterligare barn, varor eller tillbehör i denna barnvagn förutom vad som tillåts i den här broschyren. Detta kan orsaka att barnvagnen blir instabil.

Lämna INTE barnvagnen i närheten av starka värmekällor, t.ex. ett element eller en öppen eld.

Placera INTE föremål på suffletten.

Förvara INTE barnvagnen i fuktiga utrymmen. Tillåt alltid tyget att torka naturligt, bort från direkt värme.

Använd INTE förvaringskorgen för att bära barnet.

Använd INTE barnvagnen om någon del är skadad eller saknas.

Bilstolar som används tillsammans med chassin ersätter inte en barnsäng eller säng. Om ditt barn behöver sova ska det placeras i en lämplig liggdel, barnsäng eller säng.

Det rekommenderas inte att använda insats B ensamt.

Håll smådelar borta från barn eftersom de utgör en kvävningsrisk.

Passera trottoarkanter och ojämn mark försiktigt. Upprepade stötar kan att skada barnvagnen.

Låt **ALDRIG** barn stå på barnvagnen.

Ha ALDRIG mer än ett barn i taget i den här barnvagnen.

Använd ALDRIG barnvagnen i trappor eller rulltrappor. Du kan plötsligt förlora kontrollen över barnvagnen och ditt barn kan falla ut.

Selen måste alltid vara korrekt fastsatt och justerad. Selen kan inte ersätta övervakning av en vuxen.

Parkeringsbromsen ska användas när barn sätts i eller tas ut.

Överbelastning, inkorrekt ihopfällning och användning av tillbehör, t.ex. barnstolar, väskkrokar, regnskydd, åkbrädor, etc... andra än de som är godkända av Nuna, kan skada eller göra denna barnvagn osäker.

Gummidäck kan lämna svarta märken på mjuka ytor såsom parkett, laminat och linoleum.

STRYPNINGSRISK placera INTE föremål med snöre runt barnets hals, häng eller fäst inga snören från denna produkt eller på leksaker.

För att undvika varje risk för kvävning, ta bort all täckplast innan du använder den här produkten och förstör det eller håll det borta från spädbarn och barn!

För att förhindra farliga, instabila förhållanden, placera inte mer än 4.5 kg i förvaringskorgen och mer än 0,45 kg i förvaringsfickan.

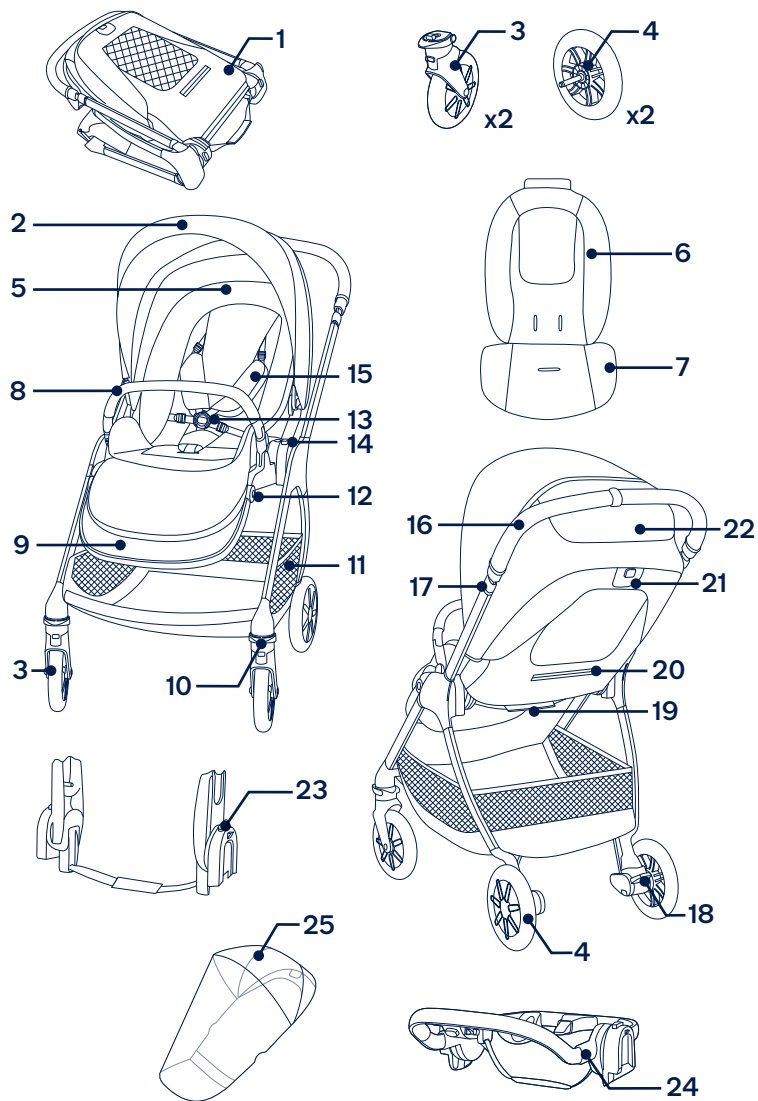
ANVÄND den mest tillbakalutade positionen för nyfödda baby.

Sittvagnen får inte användas med ett barn som väger mer än 22 kg. Det skadar sittvagnen om barnet inte passar i den.

Lista över delar

Kontrollera att alla delar är tillgängliga före montering.
Om någon del saknas, kontakta återförsäljaren. Inga verktyg behövs för montering.

- | | | | |
|----|---|----|---|
| 1 | Sittvagnens ram | 15 | Axelremstoppning |
| 2 | Sufflett | 16 | Handtag |
| 3 | Framhjul (x2) | 17 | Justeringsknapp för handtag |
| 4 | Bakhjul (x2) | 18 | Bromsspak |
| 5 | Sittdyna | 19 | Ihopfällningsband |
| 6 | Insats A | 20 | Förvaringsficka (maximal belastning = 0,45 kg) |
| 7 | Insats B (föreslås att inte användas ensam) | 21 | Inställningsknapp för lutning/låsknapp för ihopfällning |
| 8 | Armstöd | 22 | Sufflettfönster |
| 9 | Benstöd | 23 | Adaptrar |
| 10 | Riktningsslås | 24 | Ringadapter bilstol |
| 11 | Förvaringskorg | 25 | Regnskydd |
| 12 | Justeringsknapp för stöd för vaden | | |
| 13 | Bälte | | |
| 14 | Låsknapp sittdel | | |



Produktinställning

Öppna sittvagnen

- 1 - Ta ut barnvagnsramen. (1)
- 2 - Vrid handtaget uppåt för att öppna sittvagnens ram. (2)
- 3 - Dra i sitsen för att öppna den. (3)

Ett "klickljud" betyder att sätet är öppet.

Kontrollera att sittvagnen är helt uppställd innan du fortsätter.

Byta riktning på sittdel

Byt riktning på sittdelen om så behövs.

- 1 - Tryck på sittdelens låsknapp (4)-1 och lyft upp sittdelen (4)-2.
- 2 - Vänd på sittdelen och fäst den sedan i ramen. (5)
Ett "klickljud" betyder att sittdelen är helt fastsatt.

Framhjul

- 1 - Sätt in framhjulet i det främre benet. (6)
Ett "klickljud" betyder att främre hjulet är helt fastsatt.
Kontrollera att hjulet sitter fast ordentligt genom att dra utåt.
Upprepa på den andra sidan.
- 2 - För att ta bort det främre hjulet, tryck på låsknappen (7)-1 och lossa det främre hjulet från det främre benet (7)-2.

Bakhjulen

- 1 - Sätt in det bakre hjulet i det bakre benet. (8)
Ett "klickljud" betyder att bakre hjulet är helt fastsatt.
Kontrollera att hjulet sitter fast ordentligt genom att dra utåt.
Upprepa på den andra sidan.
- 2 - För att ta bort det bakre hjulet, tryck på låsknappen (9)-1 och lossa det bakre hjulet från det bakre benet (9)-2.

Armstöd

- ! Sätt alltid fast barnet med selen. Armstödet är inte en fästenhet.
- 1 - Rikta in armstödet mot armstödet monteringshål och för in tills det klickar på plats. (10)
Ett "klickljud" betyder att armstödet är helt fastsatt.
- 2 - För att ta bort armstödet, tryck på armstödet låsknappar (11)-1 och ta bort armstödet (11)-2.

Kontrollera inställningen

- Barnvagnens ram är öppen och fasthakad
- Barnvagnens sittdel sitter säkert fast
- Bakre och främre hjulen sitter säkert fast
- Armstödet sitter säkert fast

Produktanvändning

Spänna fast barnet

- 1 - Tryck på mittenknappen på spännet för att öppna spännets hake, ta bort klämman och placera barnet i barnvagnen. (12)
- 2 - Anslut axelspännet och höftspännet. (13)
- 3 - Fäst axelspännet och höftspännet till spännets hake och upprepa på motsatt sida. (14)
- 4 - Passa in selen snävt mot ditt barn genom att dra i justeringsremmarna för att dra åt (15)-1. Dra sedan ut midjeremmen (15)-2.

Axelbältets position

- 1 - Övre axelselens spänne kan flyttas upp eller ned för extra justering. (16)
- ! För att undvika allvarliga skador, från att barnet faller eller glider ur, ska barnet alltid sättas fast med selen.
- Se till att selen är korrekt inställd och att ditt barn sitter bekvämt fastsatt. Utrymmet mellan barnet och axelselen ska vara ungefär som tjockleken på ett finger.
- Korsa INTE axelremmarna. Det skapar ett tryck på barnets hals.

Sufflett

- 1 - För att öppna suffletten, dra suffletten mot framsidan på sitt delen och för att vika undan den, skjut den bakåt. (17)
- 2 - Öppna dragkedjan på suffletten för extra skugga. (18)
- 3 - För extra ventilation, vippa upp sufflettens fönster uppåt. (19)

Lutning

Det finns 4 lutningsvinklar för ryggstödet.

- 1 - För att höja eller sänka ryggstödet, tryck in justeringsknappen för lutningen (20)-1 och dra ryggstödet uppåt eller nedåt (20)-2.
- ! Tryck inte på knappen (20)-3 på mitten av justeringsknappen när vinkeln för lutningen justeras. Kontrollera att lutningen är ordentligt justerad för användningen.

Benstöd

Benstödet har 2 användarlägen.

- 1 För att höja benstödet, lyft det uppåt.
- 2 För att sänka ryggstödet trycker på justeringsknappen (21)-1 och skjut ned (21)-2.

Handtag

Handtaget har 5 lägen.

- 1 - För att justera höjden för handtaget dra handtagets justeringsknapp (22)-1 och dra handtaget upp eller ned (22)-2.

Broms

- 1 - För att låsa de bakre hjulen, trampa ned bromsspaken. (23)
 - 2 - För att låsa upp de bakre hjulen, lyft upp bromsspaken. (24)
- ! Använd alltid bromsen när barnvagnen stoppats. Skjut lätt på barnvagnen för att kontrollera att bromsen är aktiverad.

Främre riktningsslås

Det är att rekommendera att använda främre riktningsslåset på ojämna ytor.

- 1 - Dra främre riktningsslåset uppåt för att låsa det främre hjulet. (25)
- 2 - Skjut främre riktningsslåset ned för att låsa upp. (26)

Vika ihop

Barnvagnen kan vikas ihop med sittdelen riktad framåt eller riktad bakåt eller utan sittdel. Innan barnvagnen vikas ihop, justera handtaget till den lägsta positionen och se till att främre riktningsslåset är upplåst.

- 1 - Vika ihop suffletten. (27)
 - 2 - Tryck på låsknappen för ihopvikning (28)-1 på mitten av justeringsknappen för lutningen och tryck sedan på justeringsknappen för lutningen (28)-2.
 - 3 - Vika ihop sittdelen. (29)
 - 4 - Dra i bandet för sittdelen för att vika ihop barnvagnen. (30)
 - 5 - Barnvagnen med sittdelen framåtriktad kan stå på hjulen, och riktad bakåt kan den stå på handtagen och de bakre hjulen. (31)
 - 6 - Tryck på knappen för att vika ihop monteringen av sittdelen. (32)
 - 7 - Vik ihop barnvagnen. (33)
- ! Barnvagnen utan sittdelen kan stå på handtagen och de bakre hjulen.

Insats

- 1 - För att montera insatsen, placera insatsen över sätet och trä axel-, midje- och klykselen genom deras respektive öppningar. (34)
- 2 - Fäst krokens och öglans fästordningar. (35)

Tillbehör

! Inte alla tillbehör är inkluderade i alla modeller.

Adaptrar

För Nuna liggvagn och TRIV babylift montering och användning, se spädbarnslyft och babylift bruksanvisning.

- 1 - För att fästa adaptrar, placera adaptrarna på sittdelsmontaget. Ett "klickljud" betyder att adaptern har låsts. (36)(37)
- 2 - För att fästa spädbarnslyft, placera spädbarnslyften på adaptrarna. Ett "klickljud" betyder att spädbarnslyften är fastsatt. (38)
- 3 - För att fästa babylyften, placera babylyften på adaptrarna. Ett "klickljud" betyder att babylyften är fastsatt. (39)
- 4 - Spädbarnslyften kan installeras riktad framåt eller bakåt på adaptrarna. (40)
- 5 - Babylyften kan installeras riktad framåt eller bakåt på adaptrarna. (41)
- 6 - För att ta bort spädbarnslyften, tryck på låsknapparna på spädbarnslyften (42)-1 och lyft upp (42)-2.
- 7 - För att ta bort babylyften, tryck på låsknapparna på sidan av babylyften (43)-1 och lyft upp (43)-2.
- 8 - För att ta bort adaptrarna, dra i adaptrarnas låsknappar (44)-1 och lyft upp (44)-2.

! Ta bort spädbarnsliften och babyliften innan ihopvikning.

Vika ihop barnvagnen med adaptrar

Innan barnvagnen viks ihop med adaptrar, justera handtagen till den lägsta positionen och se till att det främre riktningsslåset är upplåst.

1 - Dra i bandet till adaptrarna för att vika ihop barnvagnen. (45)

! Barnvagnen med adaptrarna kan stå på handtagen och de bakre hjulen.

Ringadapter bilstol

För Nuna spädbarnslifts montering och användning, se spädbarnsliftens bruksanvisning.

1 - För att fästa bilstolens ringadapter, placera bilstolen på sätesmonteringen. (46) Ett "klickljud" betyder att bilstolens ringadapter är låst.

2 - För att fästa spädbarnsliften, placera spädbarnsliften på bilstolens ringadapter. Ett "klickljud" betyder att spädbarnsliften är fastsatt. (47)

3 - Spädbarnsliften och bilstolens ringadapter kan fästas bakåt- eller framåtriktad. (48)

4 - För att ta bort spädbarnsliften, lossa det andra säkerhetslåset för adaptern (49)-1, skjut sedan låsknappen som är placerad på baksidan av spädbarnsliften (49)-2 och lyft upp (49)-3.

5 - För att ta bort bilstolens ringadapter, dra i adapters låsknapp (50)-1 och lyft upp (50)-2.

! Ta bort spädbarnsliften innan ihopvikning.

Vika ihop barnvagnen med bilstolens ringadapter

Innan barnvagnen viks ihop med bilstolens ringadapter, justera handtagen till den lägsta positionen och se till att det främre riktningsslåset är upplåst.

1 - Dra i bandet till bilstolens ringadapter för att vika ihop barnvagnen. (51)

! Barnvagnen med bilstolens ringadapter kan stå på handtagen och de bakre hjulen.

TRIV Regnskydd

Kontrollera att suffletten är helt öppnad innan regnskyddet fästs.

1 - För att montera regnskyddet ska det placeras över sittvagnen. (52)

! Kontrollera ALLTID ventilation när regnskyddet sitter på produkten.

Kontrollera ALLTID att regnskyddet har rengjorts och torkats före ihopvikning.

VIK INTE ihop sittvagnen när regnskyddet är fastsatt.

PLACERA INTE barnet i sittvagnen vid varmt väder med regnskyddet fastsatt.

Borttagning och montering av mjuka delar

Mjuka delar tas av genom att följa stegen (53) - (66) enligt bilden. För att sätta tillbaka mjuka delar ska ovan steg följas i omvänd ordning.

Rengöring och underhåll

Rengör ramen, plast- och tygdelar med en fuktig trasa men använd inte slipande rengöringsmedel eller blekmedel. Använd inte silikonsmörjmedel då den kan dra åt sig smuts och fett. Förvara inte barnvagnen i fuktiga utrymmen.

Rengör barnvagnens hjul regelbundet med vatten och ta bort allt smuts.

För att säkerställa att långvarig användning, torka av barnvagnen med en mjuk absorberande trasa efter användning i regnigt väder.

Se skötsetiketten som är fäst på mjuka delar för information om tvätt och torkning.

Det är normalt att tyget färgas av solljus och visar slitage efter lång tids användning, även vid normal användning.

Av säkerhetsskäl, använd endast Nuna-delar.

Kontrollera regelbundet att allt fungerar korrekt. Om någon del är sliten, trasig eller saknas, sluta att använda produkten.

**TÄRKEÄÄ!
LUE HUOELLISESTI
JA SÄILYÄ TULEVAA
KÄÄYTTÖÄ VARTEN**

Sisällysluettelo

Tuotetiedot	287
Tuotteen rekisteröinti	
Takuu	
Yhteystiedot	
Lapsikäytön vaatimukset	288
Varoitus	289
Osaluettelo	293
Tuotteen asetus	295
Tuotteen käyttö	297
Lisävarusteet	300
Pehmusteiden irrottaminen ja kokoonpano	302
Puhdistus ja kunnossapito	303

Tuotetiedot

Mallinumero: _____

Valmistuspäivämäärä: _____

Tuotteen rekisteröinti

Syötä yllä olevat tiedot. Mallinumero ja valmistuspäivämäärä löytyvät kärryjen kehikon tarrasta.

Rekisteröidäksesi tuotteesi, siirry osoitteeseen:

www.nunababy.com

Napsauta kotisivulla "Rekisteröi laite"-linkkiä.

Takuu

Olemme tarkoituksella suunnitelleet korkealaatuiset tuotteemme niin, että ne voivat kasvaa sekä lapsesi että perheesi kanssa. Koska luotamme tuotteeseemme, laitteella on tuotekohtainen mukautettu takuu, joka alkaa ostopäivästä. Pidä ostotosite, mallinumero ja valmistuspäivämäärä käsillä, kun otat meihin yhteyttä.

Katso takuutiedot osoitteesta:

www.nunababy.com

Napsauta kotisivulla "Takuu"-linkkiä.

Yhteystiedot

Saadaksesi vaihto-osia, huoltoa tai tietoja lisätakuusta, ota yhteyttä asiakaspalveluumme.

info@nunababy.com

www.nunababy.com

Lapsikäytön vaatimukset

Tämä ratasistuin sopii käytettävissä lapsilla, jotka täyttävät seuraavat vaatimukset:

Vastasyntyneestä 22 kg:an tai 4 vuotiaaksi, kumpi vain toteutuu ensin

Kun käytät lastenvaunujen runkoa kantokopan tai Nuna-vauvan kantoistuimen kanssa, katso lapsen käyttövaatimukset kyseisten tuotteiden käyttöoppaista.

VAROITUS

Näiden varoitusten ja ohjeiden huomiotta jättäminen voi johtaa vakavaan vammaan tai kuolemaan.

Käytä aina turvavaljaita.

Tarkasta ennen käyttöä, että vaunukopan, ratasistuimen tai turvaistuimen kiinnityslaitteet on aktivoitu oikein.

Älä anna lapsen leikkiä tällä tuotteella.

Tarkasta ennen käyttöä, että kaikki lukituslaitteet on lukittu.

Älä koskaan jätä lasta ilman valvontaa.

Tämä tuote ei sovellu työnnettäväksi juosten tai rullaluistellen.

Pidä lapsi poissa tuotteen luota, kun tuote taitetaan kasaan tai laitetaan käyttökuntoon, jotta lapsi ei loukkaannu.

Lisävarusteita, jotka eivät ole valmistaja suosittelimia, ei tule käyttää. Vain valmistajan/jakelijan suosittelimia vaihto-osia tulee käyttää.

Kokoamiseen tarvitaan aikuista.

Kytke pysäköintijarru **AINA** päälle, kun pysähdyt.

Mikään vahinko, joka on aiheutunut muiden kuin Nunan toimittamien lisävarusteiden käytöstä, ei kuulu takuun piiriin.

Kaikki kuorma, joka on kiinnitetty kädensijaan ja/tai niskatuen taakse ja/tai rattaiden sivuille, vaikuttavat rattaiden tasapainoon.

Varmista, että rattaat ovat kokonaan pystyssä ja salvat kiinnitetty, ennen kuin annat lasten olla lähellä rattaista.

ÄLÄ kannaa useampia lapsia, tavaroita tai lisävarusteita rattaissa, paitsi tässä käyttöoppaassa sallittuja. Ne voivat tehdä rattaista epävakaa.

ÄLÄ jätä rattaista lähelle voimakkaita lämmönlähteitä, kuten lämmitin tai avotuli.

ÄLÄ aseta mitään esineitä katokselle.

ÄLÄ säilytä rattaista kosteassa paikassa. Anna kankaan kuivua aina luonnollisesti loitolla suorasta kuumuudesta.

ÄLÄ käytä säilytyskoria turvakaukalona.

ÄLÄ käytä rattaista, jos mikään osa on vahingoittunut tai puuttuu.

Autonistuimilla, joita käytetään yhdessä alustan kanssa, nämä rattaat eivät korvaa koppaa tai vuodetta. Jos lapsen on nukuttava, lapsi on sijoitettava sopiviin lastenrattaisiin, koppaan tai vuoteeseen.

Ei ole suoritettavaa käyttää pelkästään lisäosa B:tä

Pidä pienet osat etäällä lapsista, ne muodostavat tukehtumisvaaran.

Kierrä kivikot ja karkeat pinnat huolellisesti. Jatkuvat iskut voivat vahingoittaa kärryjä.

ÄLÄ KOSKAAN anna lasten seistä kärryissä.

ÄLÄ KOSKAAN kuljeta rattaissa useampaa kuin yhtä lasta.

ÄLÄ KOSKAAN käytä rattaita portaissa tai liukuportaissa. Voi yllättäen menettää kontrollin rattaisiin tai lapsi voi pudota.

Valjaat on aina kiinnitettävä ja säädettävä oikein. Valjaat eivät ole oikean aikuisen valvonnan korvike.

Pysäköintijarru on kytkettävä päälle, kun lapsi asetetaan rattaisiin tai pois niistä.

Ylikuorma, väärä taittelu ja muiden kuin Nunan hyväksymien lisävarusteiden, kuten lastenistuinten, kassikoukkujen sateensuojien ja seisomatelineiden käyttö voi vahingoittaa rattaita tai tehdä niistä epäturvalliset.

Kumipyörät voivat jättää mustia laahausjälkiä pehmeille pinnoille, kuten parketille, laminaatille ja linoleumille.

KURISTUMISVAARA Älä aseta langallisia esineitä lapsen kaulan ympärille. Ripusta langat tästä tuotteesta tai kiinnitä langat leluihin.

Vältäaksesi tukehtumisvaaran, poista kaikki muovisuojukset ennen tämän laitteen käyttöä ja hävitä ne tai säilytä vauvojen ja lasten ulottumattomissa!

Estääksesi vaarallisen, epävakaa tilan, älä aseta yli 4,5 kg esineitä säilytyskoriin ja yli 0,45 kg säilytystaskuun.

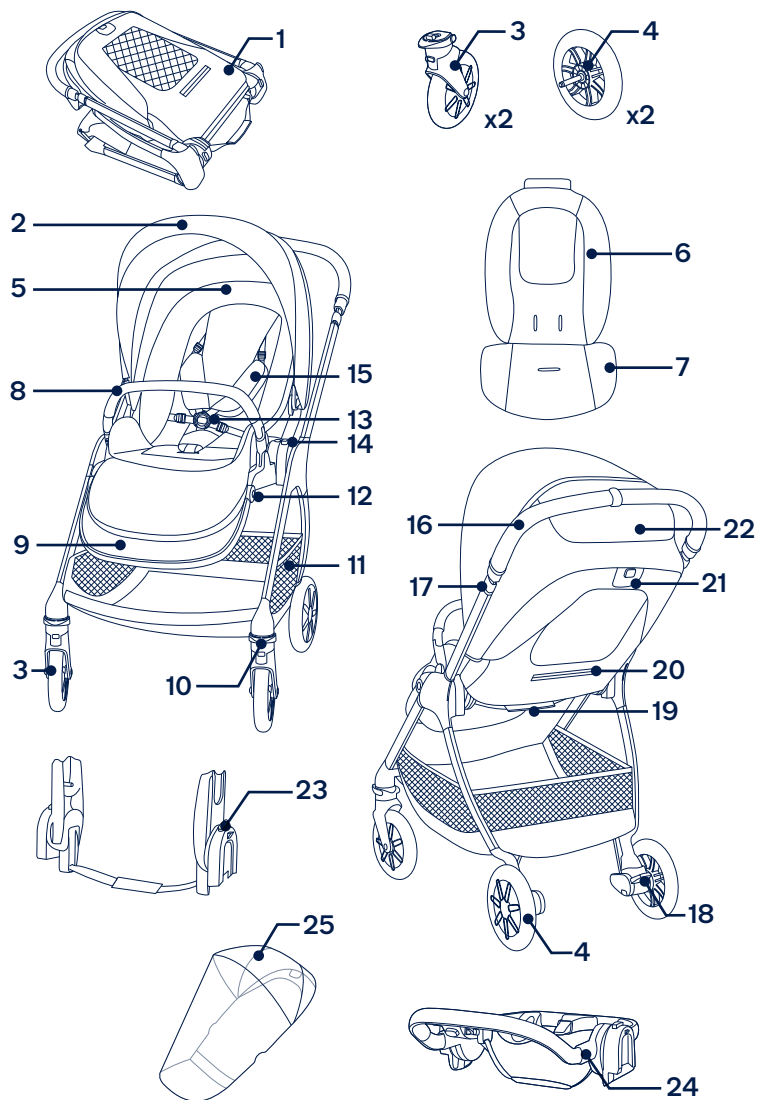
KÄYTÄ eninteen kallistunutta asentoa vastasyntyneillä lapsilla.

Käytä lastenrattaita korkeintaan 22 kg painavalla lapsella. Jos lapsi on tätä painavampi, rattaat vahingoittuvat.

Osaluettelo

Varmista, että kaikki osat ovat käsillä ennen kokoamista. Jos jokin osa puuttuu, ota yhteyttä paikalliseen jälleenmyyjään. Kokoamiseen ei tarvita työkaluja.

- | | |
|--|---|
| 1 Rattaiden kehys | vapautuspainike |
| 2 Katos | 15 Hartioiden valjastyyny |
| 3 Etupyörä (x2) | 16 Kädensija |
| 4 Takapyörä (x2) | 17 Kädensijan säätöpainike |
| 5 Istuintyyyny | 18 Jarruvipu |
| 6 Väliosia A | 19 Taittoverkko |
| 7 Väliosia B
(ei suositeltavaa käyttää
pelkästään) | 20 Varustetasku
(maksimikuorma = 0,45 kg) |
| 8 Kädensija | 21 Kallistuksen
säätöpainike / Taiton
vapautuspainike |
| 9 Pohjetuki | 22 Katoksen ikkuna |
| 10 Kääntölukko | 23 Pylvässovittimet |
| 11 Säilytyskori | 24 Auton istuimen
rengassovitin |
| 12 Pohjetuen säätöpainike | 25 Sadesuoja |
| 13 Solki | |
| 14 Istuimen | |



Tuotteen asetus

Avaa rattaat

- 1 - Ota rattaiden kehys ulos. (1)
- 2 - Kierrä kädensija ylös avataksesi rattaisen kehyksen. (2)
- 3 - Vedä istuinta avataksesi sen. (3)

“Napsahtava” ääni tarkoittaa, että istuin on auki.

Tarkista, että rattaiden salvat ovat kokonaan auki ennen kuin jatkat.

Käännä istuin

Käännä istuin, jos on tarpeen.

- 1 - Paina istuimen vapautuspainiketta (4)-1 ja nosta istuin ylös(4)-2.
- 2 - Käännä istuin ja kiinnitä se kehikkoon. (5)
“Napsahtava” ääni tarkoittaa, että istuin on kiinnitetty kokonaan.

Etupyörät

- 1 - Liitä etupyörä etujalkaan. (6)
“Naksahtava” ääni tarkoittaa, että etupyörä on kiinnitetty kokonaan.
Tarkista, onko pyörä kiinnitetty pitävästi vetämällä sitä ulos.
Toista sama vastakkaisella puolella.
- 2 - Irrottaaksesi etupyörän, paina vapautuspainiketta (7)-1 ja irrota etupyörä etujalasta (7)-2.

Takapyörät

- 1 - Liitä takapyörä takajalkaan. (8)
“Naksahtava” ääni tarkoittaa, että takapyörä on kiinnitetty kokonaan.
Tarkista, onko pyörä kiinnitetty pitävästi vetämällä sitä ulos.
Toista sama vastakkaisella puolella.
- 2 - Irrottaaksesi takapyörän, paina vapautuspainiketta (9)-1 ja irrota etupyörä takajalasta (9)-2.

Kädensija

- ! Kiinnitä lapsi aina valjailla. Kädensija ei ole turvalaite.
- 1 - Kohdista kädensijan päätä kädensijan kiinnikkeiden kanssa ja liitä se niihin niin, että se naksahtaa paikalleen. (10)
“Naksahtava” ääni tarkoittaa, että kädensija on kiinnitetty kokonaan.
 - 2 - Poistaaksesi kädensijan, paina kädensijan vapautuspainikkeita (11)-1 ja irrota kädensija (11)-2.

Tarkista asetus

- Rattaisen kehysten salvat on avattu
- Rattaiden istuin kiinnitetty pitävästi
- Taka- ja etupyörät kiinnitetty pitävästi
- Kädensija kiinnitetty pitävästi

Tuotteen käyttö

Lapsen kiinnittäminen

- 1 - Paina soljen keskipainiketta vapauttaaksesi soljen salvan, irrota kiinnikkeet ja aseta lapsi rattaisiin. (12)
- 2 - Liitä hartiasolki ja lannesolki. (13)
- 3 - Kiinnitä hartiasolki ja lannesolki solkisalpaan ja toista sama vastakkaisella puolella. (14)
- 4 - Kiinnitä valjaat tiiviisti lapsen ympärille vetämällä säätöhihnoja kiristääksesi (15)-1. Vedä sitten vyötärön säätöhihnat ulos (15)-2.

Hartiavaljaiden sijainti

- 1 - Ylähartiavaljaiden solkia voi siirtää ylös ja alas lisäsäätämistä varten. (16)
- ! Vältääkseen putoamisesta tai ulos liukumisesta aiheutuvan vakavan vamman, käytä aina valjaita.
- Varmista, että valjaat on säädetty oikein ja että lapsi on kiinnitetty tiiviisti. Lapsen ja hartiavaljaiden välin tulee olla noin sormen paksuinen.
- ÄLÄ aseta hartiaivoita ristiin. Tämä lisää painetta lapsen niskaan.

Katos

- 1 - Avataksesi katoksen, vedä sitä istuimen etuosaa kohti ja taittaaksesi, työnnä sitä taaksepäin. (17)
- 2 - Avaa katoksen vetoketju avataksesi lisävarjostimen. (18)
- 3 - Saadaksesi lisätuuletusta, käännä katoksen ikkuna ylös. (19)

Selkänöjan kallistaminen

Selkänöjalla on 4 kallistusasettoa.

- 1 - Nostaaksesi tai laskeaksesi selkänöjaa, purista kallistuksen säätöpainiketta (20)-1 ja vedä selkänöjaa ylös tai alas (20)-2.
- ! Älä paina painiketta (20)-3 keskellä kallistuksen säätöpainiketta, kun säädät kallistuskulmaa. Varmista, että kallistus on säädetty oikein käyttöä varten.

Pohjetuki

Pohjetuella on 2 käyttöasettoa.

- 1 - Kohottaaksesi pohjetukea, nosta sitä ylös.
- 2 - Laskeaksesi pohjetukea, paina säätöpainiketta (21)-1 ja työnnä tukea alas (21)-2.

Kahva

Kädensijalla on 5 asettoa

- 1 - Säättääksesi kädensijan korkeutta, vedä kädensijan säätöpainiketta (22)-1 ja vedä kädensijaa ylös tai alas (22)-2.

Jarru

- 1 - Lukitaksesi takapyörät, paina jalalla jarruvipu alas. (23)
 - 2 - Lukitaksesi etupyörät, nosta jalalla jarruvipu ylös. (24)
- ! Käytä aina jarrua, kun rattaat ovat pysähtyneet. Työnnä rattaita hieman varmistaaksesi, että jarru on päällä.

Etukääntölukot

On suositeltavaa käyttää etukääntölukkoja epätasaisilla pinnoilla.

- 1 - Vedä etukääntölukko ylös lukitaksesi etupyörän. (25)
- 2 - Työnnä etukääntölukko alas avataksesi lukituksen. (26)

Taita

Rattaat voi taittaa eteenpäin suunnatun tai taaksepäin suunnatun istuimen kanssa tai ilman istuinta. Säädä kädensija ennen rattaiden taittamista matalimpaan asentoon ja varmista, että kääntölukot ovat lukitsematta.

- 1 - Taita katos. (27)
 - 2 - Paina taiton vapautuspainiketta (28)-1 keskellä kallistuksen säätöpainiketta ja purista sitten kallistuksen säätöpainiketta (28)-2.
 - 3 - Taita istuin. (29)
 - 4 - Vedä istuimen taittoverkkoa taittaaksesi rattaat. (30)
 - 5 - Rattaat, joissa on eteenpäin suunnattu istuin, voi seistä pyörillä, ja taakse päin suunnattu istuin käsinojalla ja takapyörillä. (31)
 - 6 - Paina istuinkiinnikkeiden taittopainikkeita. (32)
 - 7 - Taita rattaat. (33)
- ! Rattaat ilman istuinta voivat seistä kädensijalla ja takapyörillä.

Väliosa

- 1 - Kootaksesi väliosan, aseta väliosa ensin istuimen päälle ja pujota hartia-, vyötärö- ja haaravaljaat niiden aukkojen läpi. (34)
- 2 - Kiinnitä koukku ja silmukkakiinnikkeet. (35)

Lisävarusteet

! Kaikki lisävarusteet eivät sisälly joihinkin malleihin.

Pylvässovittimet

Katso Nuna turvakaukalon ja TRIV-kantokopan kokoonpano- ja käyttöohjeet turvakaukalon ja kantokopan käyttöoppaasta.

- 1 - Kiinnittääksesi pylvässovittimet, aseta pylvässovittimet istuimen kiinnikkeisiin. **“Naksahtava”** ääni tarkoittaa, että sovittimet on kiinnitetty. (36)(37)
 - 2 - Kiinnittääksesi turvakaukalon, aseta turvakaukalo pylvässovittimiin. **“Naksahtava”** ääni tarkoittaa, että turvakaukalo on kiinnitetty. (38)
 - 3 - Kiinnittääksesi kantokopan, aseta kantokoppa pylvässovittimiin. **“Naksahtava”** ääni tarkoittaa, että kantokoppa on kiinnitetty. (39)
 - 4 - Turvakaukalon voi kiinnittää taaksepäin tai eteenpäin pylvässovittimilla. (40)
 - 5 - Kantokopan voi kiinnittää taaksepäin tai eteenpäin pylvässovittimilla. (41)
 - 6 - Irrottaaksesi turvakaukalon, työnnä turvakaukalon vapautuspainikkeita (42)-1 ja nosta se ylös (42)-2.
 - 7 - Irrottaaksesi kantokopan, työnnä kantokopan sivuilla olevia vapautuspainikkeita (43)-1 ja nosta se ylös (41)-2.
 - 8 - Irrottaaksesi pylvässovittimet, vedä sovittimen vapautuspainikkeita (44)-1 ja nosta se ylös (44)-2.
- ! Irrota turvakaukalo ja kantokoppa ennen taittamista.

Taita kärryt pylvässovittimien kanssa

Säädä pylvässovittimet ennen rattaiden taittamista matalimpaan asentoon ja varmista, että kääntölukot ovat lukitsematta.

1 - Vedä pylvässovittimien taittoverkko taittaaksesi rattaat. (45)

! Rattaat, joissa on pylvässovittimet, voivat seistä kädensijalla ja takapyörillä.

Auton istuimen rengassovitin

Katso Nuna turvakaukalon kokoonpano- ja käyttöohjeet turvakaukalon käyttöoppaasta.

1 - Kiinnittäaksesi auton istuimen rengassovittimen, sijoita auton istuimen rengassovitin istuimen kiinnikkeeseen. (46) **“naksahtava”** ääni tarkoittaa, että auton istuimen rengassovitin on lukittu.

2 - Kiinnittäaksesi turvakaukalon, aseta turvakaukalo auton istuimen rengassovittimeen. **“Naksahtava”** ääni tarkoittaa, että turvakaukalo on kiinnitetty. (47)

3 - Turvakaukalo ja auton istuimen rengassovitin voidaan kiinnittää eteenpäin tai taaksepäin suunnattuun asentoon. (48)

4 - Irrottaaksesi turvakaukalon, vapauta sovittimen toinen turvalukko (49)-1, työnnä sitten turvakaukalon takana olevaa vapautuspainiketta (49)-2 ja nosta se ylös (49)-3.

5 - Irrottaaksesi auton istuimen rengassovittimen, työnnä sovittimen vapautuspainikkeita (50)-1 ja nosta se ylös (50)-2.

! Irrota turvakaukalo ennen taittamista.

Taita rattaat, joissa on auton istuimen rengassovitin

Ennen kuin taitat rattaat, joissa on auton istuimen rengassovitin, säädä kädensija matalimpaan asentoon ja varmista, että etukääntölukot ovat lukitsematta.

1 - Vedä auton istuimen rengassovittimen taittoverkko taittaaksesi rattaat. (51)

! Rattaat, joissa on auton istuimen rengassovitin, voivat seistä kädensijalla ja takapyörillä.

TRIV Sadesuoja

Tarkista, että kuomu on kokonaan auki ennen kiinnittämistä sadesuojaan.

1 - Sadesuojan kokoamiseksi, aseta se kokonaan lastenrattaiden päälle. (52)

! Tarkista tuuletus **AINA**, kun sadesuoja on tuotteen päällä.

Tarkista **AINA**, että sadesuoja on puhdas ja kuiva ennen sein taittamista.

ÄLÄ taita lastenrattaita, kun sadesuoja on kiinnitetty.

ÄLÄ aseta lastenrattaiseen kuumalla säällä, kun sadesuoja on kiinnitetty.

Pehmusteiden irrottaminen ja kokoonpano

Irrottaaksesi istuimen pehmyttarvikkeet, toimi näytettyjen vaiheiden (53) - (66) mukaisesti ja kootaksesi istuimen pehmyttarvikkeet uudelleen, toimi yllä olevien vaiheiden mukaisesti käänteisessä järjestyksessä.

Puhdistus ja kunnossapito

Puhdista kehikko, muoviosat ja kangas kostealla liinalla, mutta älä käytä hiovia puhdistusaineita tai valkaisuainetta. Älä käytä silikonivoiteluaineita, ne keräävät likaa ja tahroja. Älä säilytä rattaita kosteassa paikassa.

Puhdista rattaiden pyörät säännöllisesti vedellä ja poista mahdollinen lika.

Varmistaaksesi pitkäkestoisen käytön, pyyhi kärryt pehmeällä imukykyisellä liinalla käytettyäsi niitä sateella.

Tarkista pehmusteisiin kiinnitetyt huolto- ja kuivausmerkinnät ennen pesua.

On normaalia, että kangas haalistuu auringonvalossa, ja että siinä näkyy kulumisen merkkejä pitkän käytön jälkeen, vaikka tuotetta käytettäisiin normaalisti.

Käytä turvallisuussyistä ainoastaan alkuperäisiä Nuna-osia.

Tarkista säännöllisesti, että kaikki toimii normaalisti. Jos jokin osa on revennyt, rikkoutunut tai puuttuu, lopeta tämän tuotteen käyttö.

**IMPORTANT!
CITIȚI CU ATENȚIE ȘI
PĂȘTRAȚI PENTRU
CONSULTĂRI ULTERIOARE**

Cuprins

Informații despre produs	307
Înregistrarea produsului	
Garanție	
Contact	
Cerințe de utilizare pentru copii	308
Avertismente	309
Lista componentelor	313
Configurarea produsului	315
Utilizarea produsului	317
Accesorii	320
Detașarea și asamblarea componentelor moi	323
Curățarea și întreținerea	324

Informații despre produs

Număr model: _____

Data fabricației: _____

Înregistrarea produsului

Vă rugăm să completați informațiile de mai jos. Numărul modelului și data fabricației sunt plasate pe o etichetă de pe cadrul căruciorului.

Pentru a vă înregistra produsul, accesați:

www.nunababy.com

Faceți clic pe linkul „Înregistrare dispozitiv” de pe pagina principală.

Garanție

Am conceput special produsele noastre de înaltă calitate, astfel încât să crească odată cu copilul și familia dvs. Deoarece avem încredere în produsul nostru, echipamentele noastre sunt acoperite de o garanție personalizată per produs, începând cu ziua achiziționării. Vă rugăm să aveți dovada cumpărării, numărul de model și data fabricației disponibile atunci când ne contactați.

Pentru informații referitoare la garanție, vă rugăm să vizitați:

www.nunababy.com

Faceți clic pe linkul „Garanție” de pe pagina principală.

Contact

Pentru piese de schimb, pentru service sau pentru alte întrebări referitoare la garanție, contactați departamentul de service pentru clienți.

info@nunababy.com

www.nunababy.com

Cerințe de utilizare pentru copii

Acest scaun pentru cărucioare este potrivit pentru copiii care îndeplinesc următoarele cerințe:

De la naștere până la 22 kg sau 4 ani, respectiv situația care intervine prima

Când utilizați rama căruciorului cu accesoriul de transport sau cu suport pentru copii Nuna, consultați cerințele de utilizare enumerate în manualele de instrucțiuni.

! AVERTISMENTE

Nerespectarea acestor avertismente și instrucțiuni poate cauza vătămări corporale grave sau moartea.

Utilizați întotdeauna sistemul de prindere.

Înainte de utilizare verificați dacă dispozitivele de fixare de la landou, scaunul căruciorului sau scaunul auto sunt cuplate în mod corespunzător.

Nu lăsați copilul să se joace cu acest produs.

Asigurați-vă că toate dispozitivele de blocare sunt închise înainte de a utiliza produsul.

Nu lăsați niciodată copilul nesupravegheat.

Acest produs nu este recomandat a fi utilizat în timp ce alergați sau vă plimbați pe role.

Pentru a evita rănirea copilului, asigurați-vă că acesta este la distanță atunci când pliați și depliați acest produs.

Accesoriiile care nu sunt aprobate de producător nu trebuie utilizate. Trebuie utilizate numai piese de schimb furnizate sau recomandate de producător/distribuitoare.

Asamblarea trebuie efectuată de un adult.

Cuplați **ÎNTOTDEAUNA** frâna de mână când opriți.

Orice daune cauzate de utilizarea accesoriilor care nu sunt furnizate de Nuna nu vor fi acoperite de garanție.

Orice sarcină atașată la mâner și/sau în partea din spate a spătarului și/sau a părților laterale ale vehiculului va afecta stabilitatea vehiculului.

Căruciorul trebuie să fie ridicat și blocat complet înainte de a permite copilului să se afle lângă cărucior.

NU transportați mai mulți copii, bunuri, accesorii în sau pe cărucior, cu excepția celor permise în acest manual. Acestea pot provoca instabilitatea căruciorului.

NU lăsați căruciorul expus în apropierea unei surse puternice de căldură, adică unui radiator sau foc deschis.

NU puneți niciun element pe baldachin.

NU depozitați căruciorul într-un loc umed. Lăsați întotdeauna materialul să se usuce în mod natural departe de căldura directă.

NU utilizați coșul de depozitare ca purtător pentru copii.

NU folosiți căruciorul dacă există componente deteriorate sau lipsă.

Pentru scaunele auto utilizate împreună cu un șasiu, acest vehicul nu înlocuiește un pătuț pliant sau un pat. În cazul în care copilul trebuie să doarmă, puneți copilul într-un landou, pătuț pliant sau pat adecvat.

Nu se recomandă utilizarea numai a inserției B.

Păstrați piesele mici departe de copii deoarece prezintă un pericol de sufocare.

Mergeți cu atenție în curbe și pe teren denivelat. Un impact repetat ar putea duce la deteriorarea căruciorului.

NICIODATĂ nu permiteți copiilor să stea în picioare pe cărucior.

NICIODATĂ nu transportați mai mult de un copil în cărucior.

NICIODATĂ nu utilizați căruciorul pe scări sau în lifturi. Puteți pierde brusc controlul căruciorului sau copilul dvs. poate cădea.

Hamul trebuie montat și reglat întotdeauna corect. Hamul nu înlocuiește supravegherea adecvată din partea adulților.

Frâna de parcare trebuie acționată atunci când așezați și scoateți copilul din cărucior.

Supraîncărcarea, plierea incorectă și utilizarea accesoriilor, de exemplu scaunelor pentru copii, cârligelor pentru genți, huselor de ploaie, platformelor pentru al doilea copil etc., altele decât cele aprobate de Nuna, pot deteriora sau pot face căruciorul nesigur.

Anvelopele din cauciuc pot lăsa urme negre pe suprafețe netede, cum ar fi parchetul, suprafețele laminat și linoleumul.

PERICOL DE STRANGULARE Nu plasați obiecte cu șnururi în jurul gâtului copilului, nu agățați șnururi de acest produs și nu atașați șnururi la jucării.

Pentru a evita orice pericol de sufocare, scoateți toate ambalajele din plastic înainte de a folosi acest obiect și distrugeți sau păstrați departe de bebeluși și copii!

Pentru a preveni o situație periculoasă, instabilă, nu introduceți mai mult de 4,5 kg în coșul de depozitare și mai mult de 0,45 kg în buzunarul de depozitare.

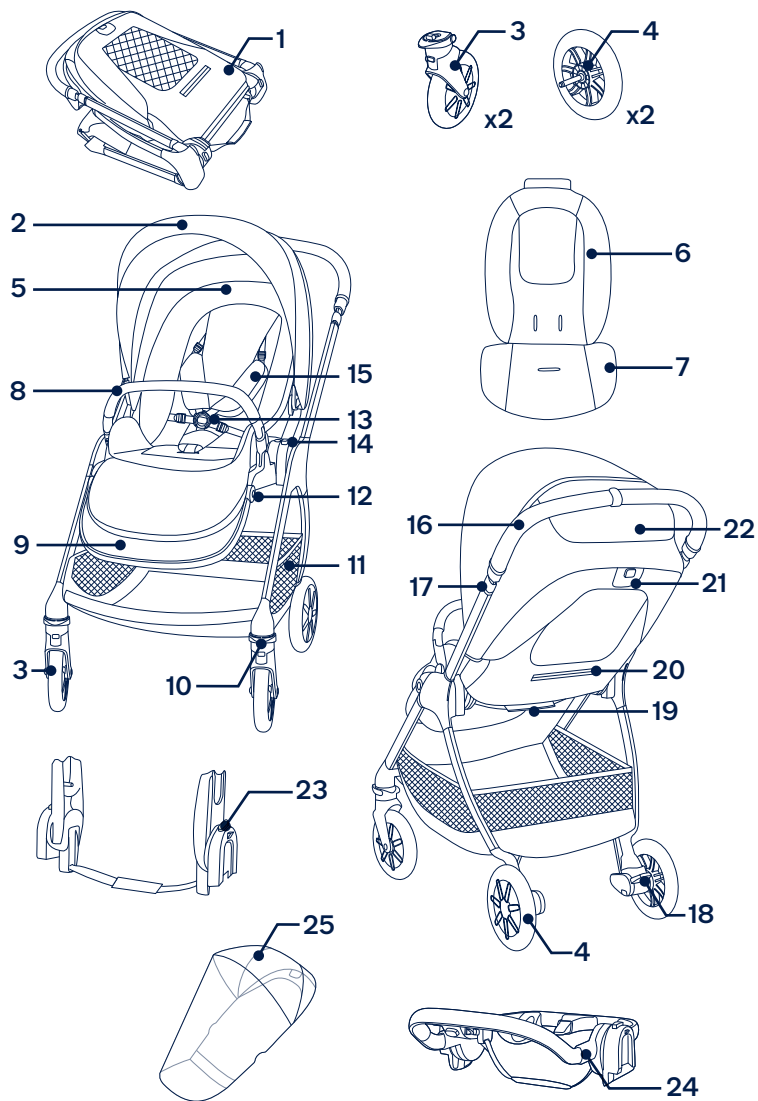
UTILIZAȚI poziția cea mai înclinată pentru bebelușii nou-născuți.

Utilizați căruciorul pentru copii cu o greutate de până la 22 kg. Căruciorul va suferi daune dacă îl utilizați pentru un copil cu o greutate nepotrivită.

Lista componentelor

Asigurați-vă că toate componentele sunt disponibile înainte de asamblare. Dacă lipsește o componentă, contactați distribuitorul local. Nu sunt necesare unelte pentru asamblare.

- | | |
|---|---|
| 1 Cadru pentru cărucior | 13 Cataramă |
| 2 Baldachin | 14 Buton de eliberare scaun |
| 3 Roată față (x2) | 15 Pernă ham pentru umăr |
| 4 Roată spate (x2) | 16 Mâner |
| 5 Perna inferioară a scaunului | 17 Buton de ajustare mâner |
| 6 Inserție A | 18 Pârghie de frână |
| 7 Inserție B (nu se recomandă utilizarea individuală) | 19 Chingă de pliere |
| 8 Bară braț | 20 Buzunar de depozitare (sarcină maximă = 0,45 kg) |
| 9 Suport pentru gambe | 21 Buton de reglare înclinare/Buton de eliberare pliere |
| 10 Blocare pivot | 22 Geam baldachin |
| 11 Coș de depozitare | 23 Adaptoare de stâlpi |
| 12 Butonul de ajustare a suportului pentru gambe | 24 Adaptor inel scaun auto |
| | 25 Husă pentru ploaie |



Configurare produs

Cărucior deschis

- 1** - Scoateți cadrul căruciorului. **(1)**
- 2** - Rotiți mânerul în sus pentru a deschide cadrul căruciorului. **(2)**
- 3** - Trageți scaunul pentru a-l deschide. **(3)**
Un sunet „clic” înseamnă că scaunul este deschis.
Verificați căruciorul să fie complet deschis înainte de a continua.

Schimbare scaun

Schimbați scaunul dacă este necesar.

- 1** - Apăsați butonul de eliberare a scaunului **(4)-1** și ridicați scaunul în sus **(4)-2**.
- 2** - Inversați scaunul și apoi atașați-l la cadru. **(5)**
Un sunet „clic” înseamnă că scaunul este atașat complet

Roți față

- 1** - Introduceți roata din față în piciorul din față. **(6)**
Un sunet „clic” înseamnă că roata din față este asamblată complet.
Verificați dacă roata este bine fixată prin tragere.
Repețați pe partea cealaltă.
- 2** - Pentru a scoate roata din față, apăsați butonul de deblocare **(7)-1** și detașați roata din față de piciorul din față **(7)-2**.

Roți spate

- 1** - Introduceți roata din spate în piciorul din spate. **(8)**
Un sunet „clic” înseamnă că roata din spate este asamblată complet.
Verificați dacă roata este bine fixată prin tragere.
Repețați pe partea cealaltă.
- 2** - Pentru a scoate roata din față, apăsați butonul de deblocare **(9)-1** și detașați roata din spate de piciorul din spate **(9)-2**.

Bară braț

- !** Fixați întotdeauna copilul cu hamul. Bara de braț nu este un dispozitiv de reținere.
- 1** - Aliniați capetele barei brațului cu monturile barei brațului și introduceți până când se fixează în poziție. **(10)**
Un sunet „clic” înseamnă că bara brațului este asamblată complet.
- 2** - Pentru a scoate bara de braț, apăsați butoanele de eliberare a barei brațului **(11)-1** și scoateți bara brațului **(11)-2**.

Verificarea configurării

- Cadrul pentru cărucior este deschis
- Scaunul căruciorului este atașat în siguranță
- Roțile din față și din spate sunt bine atașate
- Bară braț atașată în siguranță

Utilizarea produsului

Fixarea copilului

- 1** - Apăsăți butonul central de pe cataramă pentru a elibera închizătorul cataramei, scoateți clemele și puneți copilul în cărucior. **(12)**
- 2** - Conectați catarama de umăr și catarama de șold. **(13)**
- 3** - Fixați catarama de umăr și catarama de șold la închizătorul cataramei și repetați pe partea opusă. **(14)**
- 4** - Fixați ferm hamul pentru copilul dvs. trăgând curelele de reglare pentru a strânge **(15)-1**. Apoi trageți curelele de reglare a taliei în afară **(15)-2**.

Poziție ham pentru umăr

- 1** - Cataramele hamurilor pentru umăr superioare pot fi deplasate în sus și în jos pentru reglare suplimentară. **(16)**

! Pentru a evita accidentările grave cauzate de căderi sau alunecări din leagăn, fixați întotdeauna centura de siguranță.

Asigurați-vă că hamul este reglat corespunzător și că copilul este bine fixat. Spațiul dintre copil hamul de umăr trebuie să fie aproximativ egal cu grosimea unui deget.

NU încrucișați curelele de umăr. Acest lucru va pune presiune pe gâtul copilului.

Baldachin

- 1** - Pentru a deschide baldachinul, trageți baldachinul spre partea din față a scaunului și împingeți-l înapoi pentru a-l plia. **(17)**
- 2** - Deschideți fermoarul de pe baldachin pentru umbră suplimentară. **(18)**
- 3** - Pentru ventilație suplimentară, deschideți capacul ferestrei baldachinului. **(19)**

Rabatere

Există 4 poziții înclinate pentru spătar.

- 1** - Pentru a ridica sau coborî spătarul, apăsați butonul de ajustare a înclinării **(20)-1** și trageți spătarul în sus sau în jos **(20)-2**.
- !** Nu apăsați butonul **(20)-3** pe mijlocul butonului de ajustare a înclinării la reglarea unghiului pentru înclinare. Asigurați-vă că înclinarea este reglată corespunzător pentru utilizare.

Suport pentru gambe

Suportul pentru gambe are 2 poziții de utilizare.

- 1** - Pentru a ridica suportul pentru gambe, ridicăți-l.
- 2** - Pentru a coborî suportul pentru gambe, apăsați butonul de reglare **(21)-1** și împingeți în jos **(21)-2**.

Mâner

Mânerul are 5 poziții.

- 1** - Pentru a ajusta înălțimea mânerului, trageți butonul de ajustare a mânerului **(22)-1** și trageți mânerul în sus sau în jos **(22)-2**.

Frână

- 1** - Pentru a bloca roțile din spate, trageți în jos maneta de frână. **(23)**
 - 2** - Pentru a debloca roțile din spate, ridicați maneta de frână. **(24)**
- !** Aplicați întotdeauna frâna atunci când căruciorul este oprit. Împingeți căruciorul ușor pentru a vă asigura că frâna este cuplată.

Blocări pivot față

Se recomandă folosirea încuietorilor pivotante față pe suprafețe denivelate.

- 1** - Trageți încuietoarea pivotului din față pentru a bloca roata din față. **(25)**
- 2** - Apăsați în jos încuietoarea pivotului din față pentru a debloca. **(26)**

Îndoire

Căruciorul poate fi pliat cu scaunul orientat în față sau cu scaunul orientat în spate sau fără scaun. Înainte de plierea căruciorului, reglați mânerul în poziția cea mai de jos și asigurați-vă că încuietorile pivotante din față sunt deblocate.

- 1** - Pliati baldachinul. **(27)**
- 2** - Apăsați butonul de eliberare pliere **(28)**-1 din mijlocul butonului de reglare a înclinării apoi strângeți butonul de reglare a înclinării **(28)**-2.
- 3** - Pliati scaunul. **(29)**
- 4** - Trageți chinga de pliere a scaunului pentru a plia căruciorul. **(30)**

- 5** - Căruciorul cu scaun orientat în față poate sta pe roți, iar cu scaunul orientate în spate poate sta în mâner și roțile din spate. **(31)**

- 6** - Apăsați butoanele de pliere ale suporturilor scaunelor. **(32)**

- 7** - Pliati căruciorul. **(33)**

- !** Căruciorul fără scaun poate sta în mâner și roțile din spate.

Insertie

- 1** - Pentru a asambla insertia, puneți insertia peste scaun și înfiletați hamurile pentru umeri, talie și bazin prin fantele respective. **(34)**
- 2** - Atașați dispozitivele de fixare cu cârlig și buclă. **(35)**

Accesorii

- !** Nu toate accesoriile sunt incluse la unele modele.

Adaptoare de stâlpi

Pentru asamblarea și folosirea modului de transport pentru copii Nuna și a pătuțului pliant de transport TRIV, consultați manualele de instrucțiuni respective.

- 1** - Pentru a atașa adaptoarele de stâlpi, așezați adaptoarele de stâlpi pe suporturile scaunelor. Un sunet „clic” înseamnă că adaptoarele de stâlpi sunt atașate. **(36)(37)**
- 2** - Pentru a fixa modulul de transport pentru copii, așezați-l pe adaptoarele pentru stâlp. Un sunet „clic” înseamnă că modulul de transport pentru copii este atașat. **(38)**

- 3** - Pentru a atașa pătuțului pliant de transport, așezați pătuțului pliant de transport pe adaptoarele stâlpului. Un sunet „**clac**” înseamnă că pătuțul pliant de transport este atașat. **(39)**
 - 4** - Modulul de transport pentru copii poate fi atașat cu fața sau cu spatele pe adaptorul stâlpului. **(40)**
 - 5** - Pătuțului pliant de transport poate fi atașat cu fața sau cu spatele pe adaptoarele stâlpului. **(41)**
 - 6** - Pentru a scoate modulul de transport pentru copii, apăsați butoanele de eliberare de pe pătuțul modulului de transport pentru copii **(42)** -1 și ridicați **(42)**-2.
 - 7** - Pentru a scoate pătuțul pliant de transport, apăsați butoanele de eliberare de pe partea laterală a pătuțului pliant de transport și ridicați **(43)** -2.
 - 8** - Pentru a scoate adaptoarele de stâlpi, trageți butoanele de eliberare a adaptorului **(44)**-1 și ridicați **(44)**-2.
- !** Scoateți modulul de transport pentru copii și pătuțul pliant de transport înainte de a plia.

Plierea căruciorului cu adaptoare de stâlpi

Înainte de plierea căruciorului cu adaptoare de stâlpi, reglați mânerul în poziția cea mai de jos și asigurați-vă că încluietorile pivotante din față sunt deblocate.

- 1** - Trageți chinga de pliere a adaptoarelor pentru stâlpi pentru a plia căruciorul. **(45)**
- !** Căruciorul cu adaptoarele de stâlpi poate sta în mâner și roțile din spate.

Adaptor inel scaun auto

Pentru asamblarea și folosirea modulului de transport pentru copii Nuna, consultați manualul de instrucțiuni respectiv.

- 1** - Pentru a atașa adaptorul inelului scaunului auto, așezați adaptorul inelului pentru scaunul auto pe suportul scaunului. **(46)** Un sunet „**clac**” înseamnă că adaptorul pentru inelul scaunului auto este blocat.
 - 2** - Pentru a fixa modulul de transport pentru copii, așezați-l pe adaptorul inelului pentru scaun auto. Un sunet „**clac**” înseamnă că modulul de transport pentru copii este atașat. **(47)**
 - 3** - Modul de transport pentru copii și adaptorul inelului pentru scaunul auto pot fi atașate cu fața înainte sau înapoi. **(48)**
 - 4** - Pentru a scoate modulul de transport pentru copii, eliberați a doua blocare de siguranță pentru adaptor **(49)**-1, apoi apăsați butonul de eliberare situat pe partea din spate a modulului de transport pentru copii **(49)**-2 și ridicați **(49)**-3.
 - 5** - Pentru a scoate adaptorul inelului pentru scaun auto, apăsați butoanele de eliberare a adaptorului **(50)**-1 și ridicați **(50)**-2.
- !** Scoateți modulul de transport pentru copii înainte de a plia.

Plierea căruciorului cu adaptorul de inel pentru scaunul auto

Înainte de plierea căruciorului cu adaptorul de inel pentru scaunul auto, reglați mânerul în poziția cea mai de jos și asigurați-vă că încuietorile pivotante din față sunt deblocate.

1 - Trageți chinga de pliere a adaptorului de inel pentru scaun auto pentru a plia căruciorul. **(51)**

! Căruciorul cu adaptorul de inel pentru scaun auto poate sta în mâner și roțile din spate.

TRIV Husă pentru ploaie

Verificați ca baldachinul să fie complet deschis înainte de a atașa husa pentru ploaie.

1 - Pentru a asambla husa pentru ploaie, puneți-o peste cărucior. **(52)**

! Verificați **ÎNTOTDEAUNA** ventilația atunci când husa pentru ploaie este pe produs.

Verificați **ÎNTOTDEAUNA** dacă husa pentru ploaie a fost curățată și uscată înainte de pliere.

NU pliați căruciorul când este atașată husa pentru ploaie.

NU puneți copilul în cărucior pe vreme caldă cu husa pentru ploaie atașată.

Detășarea și asamblarea componentelor moi

Pentru a detașa părțile moi ale șezutului, urmați pașii **(53)** – **(66)** conform indicațiilor, iar pentru a reasambla părțile moi ale șezutului, urmați pașii de mai sus în sens invers.

Curățarea și întreținerea

Curățați cadrul, piesele din plastic și țesătura cu o cârpă umedă, dar nu folosiți materiale abrazive sau înălbitor. Nu utilizați lubrifianți cu silicon deoarece aceștia vor atrage murdăria. Nu depozitați căruciorul într-un loc umed.

Curățați în mod regulat roțile căruciorului cu apă și îndepărtați murdăria.

Pentru a asigura o utilizare de lungă durată, ștergeți căruciorul cu o cârpă moale, absorbantă după ce l-ați folosit în condiții meteo ploioase.

Consultați eticheta de întreținere atașată componentelor moi pentru instrucțiunile de spălare și uscare.

Este normal ca țesătura să fie decolorată de lumina soarelui și să prezinte semne de uzură după o perioadă îndelungată de utilizare, chiar și atunci când este utilizată în mod normal.

Din motive de siguranță, utilizați numai piese originale Nuna.

Verificați regulat dacă totul funcționează corect. Dacă vreuna dintre părți este răsucită, ruptă sau lipsește, nu mai utilizați acest produs.

**ΣΗΜΑΝΤΙΚΟ!
ΔΙΑΒΑΣΤΕ ΠΡΟΣΕΚΤΙΚΑ
ΚΑΙ ΦΥΛΑΞΕ ΓΙΑ
ΜΕΛΛΟΝΤΙΚΗ ΑΝΑΦΟΡΑ**

Περιεχόμενα

Πληροφορίες προϊόντος	327
Καταχώρηση προϊόντος	
Εγγύηση	
Επικοινωνία	
Απαιτήσεις χρήσης	328
Προειδοποίηση	329
Κατάλογος εξαρτημάτων	333
Προετοιμασία προϊόντος	335
Χρήση προϊόντος	337
Εξαρτήματα	340
Αφαίρεση και συναρμολόγηση μαλακών στοιχείων	343
Καθαρισμός και συντήρηση	344

Πληροφορίες προϊόντος

Αριθμός μοντέλου: _____

Ημερομηνία κατασκευής: _____

Καταχώριση προϊόντος

Συμπληρώστε τις παραπάνω πληροφορίες. Ο αριθμός μοντέλου και η ημερομηνία κατασκευής αναγράφονται στην ετικέτα στο πλαίσιο του καροτσιού.

Για να καταχωρίσετε το προϊόν σας, επισκεφτείτε τη διεύθυνση:

www.nunababy.com

Κάντε κλικ στον σύνδεσμο “Εξοπλισμός” στην αρχική σελίδα.

Εγγύηση

Σχεδιάζουμε τα υψηλής ποιότητας προϊόντα μας με σκοπό να μπορούν να αναπτυχθούν μαζί με το παιδί σας και την οικογένειά σας. Επειδή προσφέρουμε υποστήριξη, τα προϊόντα μας καλύπτονται από μια προσαρμοσμένη εγγύηση ανά προϊόν, η οποία ξεκινά από την ημέρα αγοράς. Παρακαλείστε να έχετε διαθέσιμα την απόδειξη αγοράς, τον αριθμό μοντέλου και την ημερομηνία κατασκευής, όταν επικοινωνείτε μαζί μας.

Για πληροφορίες σχετικά με την εγγύηση, επισκεφθείτε τη διεύθυνση:

www.nunababy.com

Κάντε κλικ στον σύνδεσμο “Εγγύηση” στην αρχική σελίδα.

Επικοινωνία

Για τα ανταλλακτικά, επισκευές ή πρόσθετες ερωτήσεις εγγύησης, επικοινωνήστε με το τμήμα εξυπηρέτησης πελατών μας.

info@nunababy.com

www.nunababy.com

Απαιτήσεις χρήσης

Το παρόν κάθισμα καροτσιού είναι κατάλληλο για χρήση με παιδιά που πληρούν τις ακόλουθες απαιτήσεις:

Από τη γέννηση έως 22 κιλά ή 4 ετών, όποιο συμβεί πρώτο

Όταν χρησιμοποιείτε το πλαίσιο του καροτσιού με πορτ-μπεμπέ ή βρεφικό ριλάξ Nuna, ανατρέξτε στις απαιτήσεις χρήσης που αναφέρονται σε αυτά τα εγχειρίδια οδηγιών.

EL **! ΠΡΟΕΙΔΟΠΟΙΗΣΗ**

Σε περίπτωση που δεν ακολουθήσετε αυτές τις προειδοποιήσεις και οδηγίες, αυτό μπορεί να έχει ως αποτέλεσμα σοβαρό τραυματισμό ή ακόμη και θάνατο.

Χρησιμοποιείτε πάντα το σύστημα πρόσδεσης.

Βεβαιωθείτε ότι οι διατάξεις σύνδεσης του καροτσιού ή του καθίσματος ή του καθίσματος αυτοκινήτου έχουν τοποθετηθεί σωστά πριν από τη χρήση.

Μην αφήνετε το παιδί σας να παίζει με το προϊόν αυτό.

Βεβαιωθείτε ότι έχουν ενεργοποιηθεί όλες οι διατάξεις ασφάλισης πριν από τη χρήση.

Μην αφήνετε ποτέ το παιδί σας χωρίς επιτήρηση.

Μη χρησιμοποιείτε το προϊόν αυτό όταν κάνετε τζόκινγκ.

Για την αποφυγή τραυματισμών, απομακρύνετε το παιδί σας κατά το δίπλωμα και το ξεδίπλωμα του προϊόντος αυτού.

Εξαρτήματα που δεν έχουν εγκριθεί από τον κατασκευαστή δεν πρέπει να χρησιμοποιούνται. Θα πρέπει να χρησιμοποιούνται μόνο ανταλλακτικά που παρέχονται ή συνιστώνται από τον κατασκευαστή /διανομέα.

Απαιτείται συναρμολόγηση από ενήλικο.

Ενεργοποιείτε **ΠΑΝΤΑ** το φρένο όταν το καρότσι δεν κινείται.

Οποιοσδήποτε ζημίες προκαλούνται από τη χρήση εξαρτημάτων που δεν παρέχονται από τη Nuna δεν καλύπτονται από την εγγύηση.

Κάθε φορτίο στη λαβή ή/και στο πίσω μέρος της πλάτης ή/και στις πλευρές του καροτσιού επηρεάζει τη σταθερότητα του καροτσιού.

Βεβαιωθείτε ότι το καρότσι είναι πλήρως ανοικτό πριν αφήσετε το παιδί κοντά στο καρότσι.

MHN μεταφέρετε περισσότερα από ένα παιδιά, αγαθά, αξεσουάρ μέσα ή πάνω στο καρότσι, εκτός εάν επιτρέπεται από το παρόν φύλλο οδηγιών..
Ενδέχεται να προκαλέσουν αστάθεια στο καρότσι.

MHN αφήνετε το καρότσι εκτεθειμένο κοντά σε ισχυρή πηγή θερμότητας, όπως θερμάστρες ή ανοικτή φλόγα.

MHN τοποθετείτε κανένα αντικείμενο επάνω στην κουκούλα.

MHN αποθηκεύετε το καρότσι σε υγρό μέρος. Να αφήνετε πάντα στο ύφασμα να στεγνώσει φυσικά μακριά από την άμεση θερμότητα.

MHN χρησιμοποιείτε το καλάθι αποθήκευσης για να μεταφέρετε το παιδί.

MHN χρησιμοποιείτε το καρότσι αν κάποια μέρη του έχουν σπάσει ή λείπουν.

Τα καθίσματα που χρησιμοποιούνται σε συνδυασμό με ένα πλαίσιο δεν αντικαθιστούν μια κούνια ή ένα κρεβάτι. Εάν το παιδί σας πρέπει να κοιμηθεί, τότε θα πρέπει να τοποθετηθεί σε κατάλληλο πορτ-μπεμπέ, κούνια ή κρεβάτι.

Δεν προτείνεται η χρήση μόνο του ενθέματος B.

Κρατήστε τα μικρά εξαρτήματα μακριά από τα παιδιά, καθώς αποτελούν κίνδυνο πνιγμού.

Να κινήστε προσεκτικά στα κράσπεδα και το τραχύ έδαφος. Οι επαναλαμβανόμενες προσκρούσεις μπορεί να προκαλέσουν βλάβη στο καρότσι.

ΜΗΝ αφήνετε το παιδί να στέκεται όρθιο επάνω στο καρότσι.

ΜΗΝ μεταφέρετε περισσότερα από ένα παιδιά με το καρότσι.

ΠΟΤΕ μην χρησιμοποιείτε το καρότσι σε σκάλες ή κυλιόμενες σκάλες. Μπορεί να χάσετε ξαφνικά τον έλεγχο του καροτσιού ή το παιδί σας να πέσει έξω.

Οι ιμάντες πρέπει να τοποθετούνται και να προσαρμόζονται σωστά. Ο ιμάντας δεν αποτελεί υποκατάστατο της σωστής εποπτείας από ενήλικο.

Κατά την τοποθέτηση και την αφαίρεση του παιδιού πρέπει να ενεργοποιείται το φρένο.

Η υπερφόρτωση, το λανθασμένο κλείσιμο και η χρήση εξαρτημάτων π.χ. παιδικά καθίσματα, άγκιστρα τσάντας, καλύμματα βροχής, καροτσάκια κ.λπ., εκτός από εκείνα που έχουν εγκριθεί από τη Nuna, μπορεί να προκαλέσουν βλάβη ή να καταστήσουν το καρότσι μη ασφαλές.

Τα λάστιχα από καουτσούκ μπορεί να αφήνουν μαύρα σημάδια σε λείες επιφάνειες όπως παρκέ, πολυστρωματικό υλικό και λινέλαιο.

ΚΙΝΔΥΝΟΣ ΣΤΡΑΓΓΑΛΙΣΜΟΥ Μην τοποθετείτε αντικείμενα με κορδόνια γύρω από το λαιμό του παιδιού σας, αναρτάτε κορδόνια πάνω από το προϊόν ή δένετε παιχνίδια με κορδόνια.

Για να αποφύγετε τον κίνδυνο ασφυξίας, αφαιρέστε όλα τα πλαστικά καλύμματα πριν χρησιμοποιήσετε αυτό το αντικείμενο προϊόν και απορρίψτε τα ή κρατήστε τα μακριά από βρέφη και παιδιά.

Για να αποφύγετε κινδύνους ανατροπής, μην τοποθετείτε περισσότερο από 4,5 κιλά στο καλάθι αποθήκευσης και περισσότερο από 0,45 κιλά στην τσέπη αποθήκευσης.

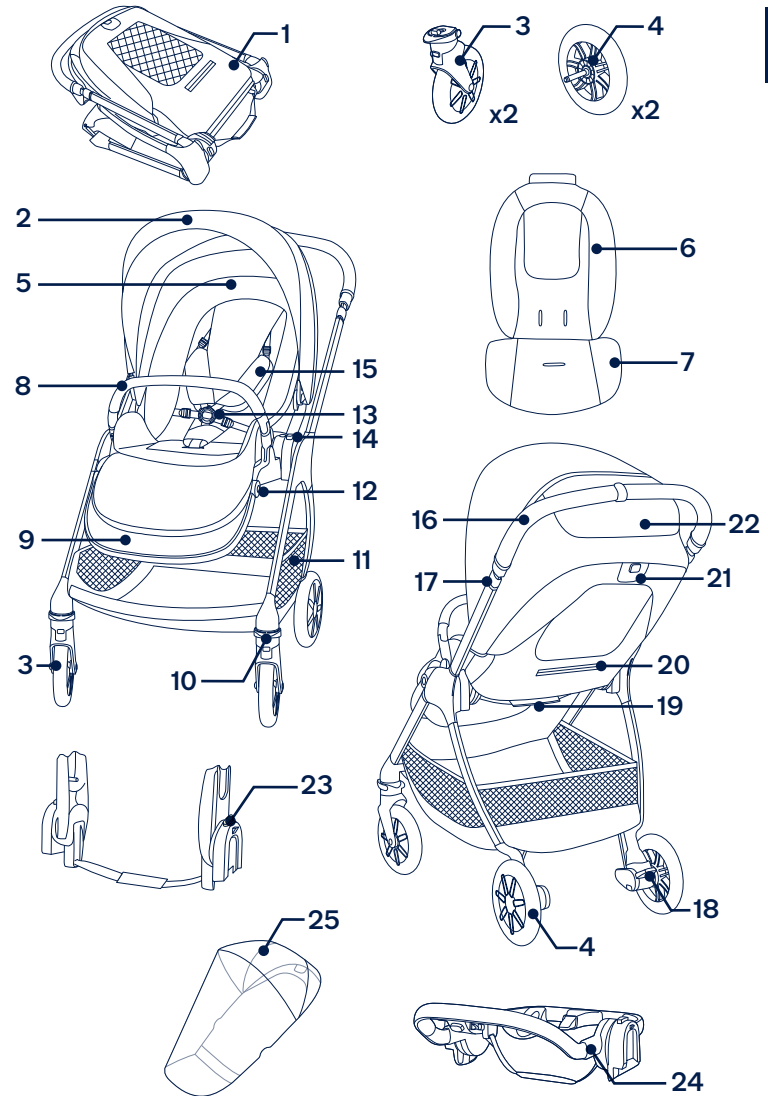
ΧΡΗΣΙΜΟΠΟΙΕΙΤΕ την πλέον ξαπλωτή θέση για τα βρέφη.

Χρησιμοποιήστε το καρότσι αν το παιδί σας ζυγίζει λιγότερο από 22 κιλά. Κίνδυνος πρόκλησης βλάβης στο καρότσι αν το παιδί ζυγίζει περισσότερο.

Κατάλογος εξαρτημάτων

Πριν από τη συναρμολόγηση βεβαιωθείτε ότι όλα τα εξαρτήματα είναι διαθέσιμα. Εάν λείπει οποιοδήποτε εξάρτημα, παρακαλούμε επικοινωνήστε με το κατάστημα λιανικής πώλησης. Δεν απαιτούνται εργαλεία για τη συναρμολόγηση.

- | | | | |
|----|--|----|--|
| 1 | Πλαίσιο καροτσιού | 14 | Κουμπί αποδέσμευσης καθίσματος |
| 2 | Κουκούλα | 15 | Προστατευτικό ιμάντα ώμου |
| 3 | Μπροστινός τροχός (x2) | 16 | Λαβή |
| 4 | Πίσω τροχός (x2) | 17 | Κουμπί ρύθμισης λαβής |
| 5 | Μαξιλάρι καθίσματος | 18 | Μοχλός φρένου |
| 6 | Ένθεμα Α | 19 | Μοχλός κλεισίματος |
| 7 | Ένθεμα Β
(δεν συνιστάται να χρησιμοποιείται μόνο του) | 20 | Θήκη αποθήκευσης
(μέγιστο φορτίο = 0,45 κιλά) |
| 8 | Μπάρα χεριών | 21 | Κουμπί ρύθμισης
ανάκλισης/Κουμπί
κλεισίματος |
| 9 | Στήριγμα ποδιών | 22 | Παράθυρο κουκούλας |
| 10 | Κλειδώμα τροχών | 23 | Προσαρμογείς στήριξης |
| 11 | Καλάθι αποθήκευσης | 24 | Δακτύλιος καθίσματος
αυτοκινήτου |
| 12 | Κουμπί ρύθμισης
στηρίγματος ποδιών | 25 | Κάλυμμα βροχής |
| 13 | Πόρπη | | |



Προετοιμασία προϊόντος

Ανοιγμα καρτσιού

- 1 - Αποσυσκευάστε το πλαίσιο του καρτσιού. (1)
- 2 - Περιστρέψτε τη λαβή προς τα πάνω για να ανοίξετε το πλαίσιο του καρτσιού. (2)
- 3 - Τραβήξτε το κάθισμα για να το ανοίξετε. (3)
Ένας ήχος “κλικ” σημαίνει ότι το κάθισμα έχει ανοίξει σωστά.
Βεβαιωθείτε ότι το καρτσάκι είναι σωστά ασφαλισμένο πριν συνεχίσετε.

Αλλαγή καθίσματος

Αν το επιθυμείτε, μπορείτε να αλλάξετε κάθισμα.

- 1 - Πατήστε το κουμπί αποδέσμευσης καθίσματος (4)-1 και σηκώστε το κάθισμα προς τα πάνω (4)-2.
- 2 - Αλλάξτε το κάθισμα και έπειτα το τοποθετήστε το στο πλαίσιο. (5)
Ένας ήχος “κλικ” σημαίνει ότι το κάθισμα έχει ασφαλίσει σωστά.

Μπροστινοί τροχοί

- 1 - Τοποθετήστε τον μπροστινό τροχό στο μπροστινό σκέλος. (6)
Ένας ήχος “κλικ” σημαίνει ότι ο μπροστινός τροχός έχει τοποθετηθεί σωστά.
Ελέγξτε ότι ο τροχός είναι ασφαλώς τοποθετημένος τραβώντας τον προς τα έξω.
Επαναλάβετε στην άλλη πλευρά.

- 2 - Για να αφαιρέσετε τον μπροστινό τροχό, πατήστε το κουμπί αποδέσμευσης (7)-1 και αποσυνδέστε τον μπροστινό τροχό από το μπροστινό σκέλος (7)-2.

Πίσω τροχοί

- 1 - Τοποθετήστε τον πίσω τροχό στο πίσω σκέλος. (8)
Ένας ήχος “κλικ” σημαίνει ότι ο πίσω τροχός έχει τοποθετηθεί σωστά.
Ελέγξτε ότι ο τροχός είναι ασφαλώς τοποθετημένος τραβώντας τον προς τα έξω.
Επαναλάβετε στην άλλη πλευρά.
- 2 - Για να αφαιρέσετε τον πίσω τροχό, πατήστε το κουμπί αποδέσμευσης (9)-1 και αποσυνδέστε τον πίσω τροχό από το πίσω σκέλος (9)-2.

Μπάρα χεριών

- ! Ασφαλίστε πάντα το παιδί με τον ιμάντα. Η μπάρα δεν είναι διάταξη συγκράτησης.
- 1 - Ευθυγραμμίστε τα άκρα της μπάρας με τα στηρίγματα και κουμπώστε την στη θέση της. (10)
Ένας ήχος “κλικ” σημαίνει ότι η μπάρα έχει τοποθετηθεί σωστά.
- 2 - Για να αφαιρέσετε την μπάρα, πιέστε τα κουμπιά αποδέσμευσης (11)-1 και αφαιρέστε την μπάρα (11)-2.

Έλεγχος συναρμολόγησης

- Το πλαίσιο του καρτσιού είναι ανοιχτό
- Το κάθισμα του καρτσιού είναι καλά ασφαλισμένο
- Οι πίσω και οι μπροστινοί τροχοί είναι καλά ασφαλισμένοι
- Η μπάρα χεριών είναι καλά ασφαλισμένη

Χρήση προϊόντος

Ασφάλιση του παιδιού σας

- 1 - Πιέστε το κεντρικό κουμπί στην πόρπη για να ελευθερώσετε το μάνδαλο, αφαιρέστε τα κλιπ και τοποθετήστε το παιδί σας στο καρότσι. **(12)**
- 2 - Συνδέστε την πόρπη της ζώνης ώμου και την πόρπη της ζώνης μέσης. **(13)**
- 3 - Ασφαλίστε την πόρπη της ζώνης ώμου και την πόρπη της ζώνης μέσης και επαναλάβετε την αντίθετη πλευρά. **(14)**
- 4 - Προσαρμόστε τον ιμάντα σφιχτά στο παιδί σας τραβώντας τους ιμάντες ρύθμισης **(15)-1**. Στη συνέχεια, τραβήξτε τους ιμάντες ρύθμισης μέσης προς τα έξω **(15)-2**.

Θέση ιμάντα ώμου

- 1 - Οι πόρτες των ιμάντων ώμων μπορούν να μετακινηθούν προς τα πάνω και προς τα κάτω για πρόσθετη ρύθμιση. **(16)**
- !** Για να αποφύγετε σοβαρούς τραυματισμούς του παιδιού από πτώση ή ολίσθηση, χρησιμοποιείτε πάντα τους ιμάντες.

Βεβαιωθείτε ότι ο ιμάντας έχει ρυθμιστεί σωστά και ότι το παιδί σας είναι καλά ασφαλισμένο. Βεβαιωθείτε ότι ο χώρος μεταξύ του παιδιού και του ιμάντα ώμου είναι περίπου το πάχος ενός δαχτύλου.

ΜΗΝ σταυρώνετε τους ιμάντες ώμου. Αυτό θα ασκήσει πίεση στον αυχένα του παιδιού.

Κουκούλα

- 1 - Για να ανοίξετε την κουκούλα, τραβήξτε την προς το μπροστινό μέρος του καθίσματος και για να την διπλώσετε, σπρώξτε την προς τα πίσω. **(17)**
- 2 - Ανοίξτε το φερμουάρ στην κουκούλα για πρόσθετη σκίαση. **(18)**
- 3 - Για πρόσθετο αερισμό, ανοίξτε το κάλυμμα του παραθύρου της κουκούλας. **(19)**

Ανάκλιση

Υπάρχουν 4 θέσεις κλίσης για την πλάτη.

- 1 - Για να σηκώσετε ή να κατεβάσετε την πλάτη, πιέστε το κουμπί ρύθμισης κλίσης **(20)-1** και τραβήξτε την πλάτη προς τα πάνω ή προς τα κάτω **(20)-2**.
- !** Μην πατάτε το κουμπί απελευθέρωσης **(20)-3** στη μέση του κουμπιού ρύθμισης ανάκλισης όταν ρυθμίζετε τη γωνία κλίσης.
Βεβαιωθείτε ότι η κλίση έχει ρυθμιστεί σωστά.

Στήριγμα ποδιών

Το στήριγμα ποδιών έχει 2 θέσεις.

- 1 - Για να ανασηκώσετε το στήριγμα ποδιών, τραβήξτε το προς τα πάνω.
- 2 - Για να κατεβάσετε το στήριγμα ποδιών, πατήστε το κουμπί ρύθμισης **(21)-1** και σπρώξτε προς τα κάτω **(21)-2**.

Λαβή

Η λαβή έχει 5 θέσεις.

- 1 - Για να ρυθμίσετε το ύψος της λαβής, τραβήξτε το κουμπί ρύθμισης λαβής **(22)-1** και τραβήξτε τη λαβή προς τα επάνω ή προς τα κάτω **(22)-2**.

Φρένο

- 1 - Για να κλειδώσετε τους πίσω τροχούς, κατεβάστε τον μοχλό φρένων με το πόδι σας. **(23)**
 - 2 - Για να ξεκλειδώσετε τους πίσω τροχούς, ανεβάστε τον μοχλό φρένων με το πόδι σας. **(24)**
- ! Εφαρμόζετε πάντα το φρένο όταν καρότσι δεν κινείται. Σπρώξτε ελαφρά το καρότσι για να βεβαιωθείτε ότι το φρένο είναι ενεργοποιημένο.

Ασφάλειες μπροστινών τροχών

Συνιστάται η χρήση των ασφαλειών των μπροστινών τροχών σε ανώμαλες επιφάνειες.

- 1 - Τραβήξτε την ασφάλεια μπροστινών τροχών προς τα πάνω για να ασφαλίσετε τον μπροστινό τροχό. **(25)**
- 2 - Πιέστε την ασφάλεια προς τα κάτω για ξεκλείδωμα. **(26)**

Αναδίπλωση

Το καρότσι μπορεί να κλείσει με το κάθισμα στραμμένο προς τα εμπρός ή προς τα πίσω ή χωρίς το κάθισμα. Πριν κλείσετε το καρότσι, ρυθμίστε τη λαβή στη χαμηλότερη θέση και βεβαιωθείτε ότι οι ασφάλειες των μπροστινών τροχών είναι ξεκλειδωμένες.

- 1 - Διπλώστε την κουκούλα. **(27)**
- 2 - Πατήστε το κουμπί κλεισίματος **(28)**-1 στη μέση του κουμπιού ρύθμισης κλίσης και, στη συνέχεια, πιέστε το κουμπί ρύθμισης κλίσης **(28)**-2.
- 3 - Διπλώστε το κάθισμα. **(29)**
- 4 - Τραβήξτε τον πτυσσόμενο ιμάντα του καθίσματος για να διπλώσετε το καρότσι. **(30)**

- 5 - Το καρότσι με το κάθισμα στραμμένο προς τα εμπρός μπορεί να σταθεί επάνω στους τροχούς, και με το κάθισμα στραμμένο προς τα πίσω στη λαβή και τους πίσω τροχούς. **(31)**
 - 6 - Πατήστε τα κουμπιά αναδίπλωσης των στηριγμάτων του καθίσματος. **(32)**
 - 7 - Διπλώστε το καρότσι. **(33)**
- ! Το καρότσι χωρίς κάθισμα μπορεί να σταθεί επάνω στη λαβή και τους πίσω τροχούς.

Ένθεμα

- 1 - Για να συναρμολογήσετε το ένθεμα, τοποθετήστε το ένθεμα πάνω από το κάθισμα και περάστε τους ιμάντες ώμου, μέσης και καβάλου μέσω των αντίστοιχων υποδοχών. **(34)**
- 2 - Προσαρτήστε τους συνδέσμους αγκίστρου και βρόχου. **(35)**

Εξαρτήματα

- ! Δεν περιλαμβάνονται όλα τα εξαρτήματα σε ορισμένα μοντέλα.

Προσαρμογείς στήριξης

Για τη συναρμολόγηση και τη χρήση του ριλάξ της Nuna και του πορτ-μπεμπέ TRIV, παρακαλούμε ανατρέξτε στο εγχειρίδιο οδηγιών των αντίστοιχων προϊόντων.

- 1 - Για να τοποθετήσετε τους προσαρμογείς, τοποθετήστε τους προσαρμογείς στήριξης στις υποδοχές καθίσματος. Ένας ήχος “κλικ” σημαίνει ότι οι προσαρμογείς έχουν ασφαλίσει σωστά. **(36)(37)**

- 2** - Για να τοποθετήσετε το ριλάξ, τοποθετήστε το ριλάξ επάνω στους προσαρμογείς στήριξης. Ένας ήχος “κλικ” σημαίνει ότι το ριλάξ έχει ασφαλίσει σωστά. **(38)**
 - 3** - Για να τοποθετήσετε το πορτ-μπεμπέ, τοποθετήστε το πορτ-μπεμπέ επάνω στους προσαρμογείς στήριξης. Ένας ήχος “κλικ” σημαίνει ότι το πορτ-μπεμπέ έχει ασφαλίσει σωστά. **(39)**
 - 4** - Το ριλάξ μπορεί να τοποθετηθεί με κατεύθυνση προς τα μπροστά ή προς τα πίσω στους προσαρμογείς στήριξης. **(40)**
 - 5** - Το πορτ-μπεμπέ μπορεί να τοποθετηθεί με κατεύθυνση προς τα μπροστά ή προς τα πίσω στους προσαρμογείς στήριξης. **(41)**
 - 6** - Για να αφαιρέσετε το ριλάξ, πιέστε τα κουμπιά αποδέσμευσης στο ριλάξ **(42)**-1 και ανασηκώστε το **(42)**-2.
 - 7** - Για να αφαιρέσετε το πορτ-μπεμπέ, πιέστε τα κουμπιά αποδέσμευσης στο πορτ-μπεμπέ **(43)**-1 και ανασηκώστε το **(43)**-2.
 - 8** - Για να αφαιρέσετε τους προσαρμογείς στήριξης, τραβήξτε τα κουμπιά αποδέσμευσης **(44)**-1 και ανασηκώστε τους **(44)**-2.
- !** Αφαιρέστε το ριλάξ και το πορτ-μπεμπέ πριν κλείσετε το καρότσι.

Κλείσιμο καροτσιού με τους προσαρμογείς στήριξης

Πριν κλείσετε το καρότσι με τους προσαρμογείς στήριξης, ρυθμίστε τη λαβή στη χαμηλότερη θέση και βεβαιωθείτε ότι οι ασφάλειες των μπροστινών τροχών είναι ξεκλειδωμένες.

- 1** - Τραβήξτε τον πτυσσόμενο ιμάντα στους προσαρμογείς στήριξης για να διπλώσετε το καρότσι. **(45)**

- !** Το καρότσι με τους προσαρμογείς στήριξης μπορεί να σταθεί επάνω στη λαβή και τους πίσω τροχούς.

Δακτύλιος καθίσματος αυτοκινήτου

Για τη συναρμολόγηση και τη χρήση του ριλάξ της Nuna, παρακαλούμε ανατρέξτε στο εγχειρίδιο οδηγιών του ριλάξ.

- 1** - Για να τοποθετήσετε τον δακτύλιο καθίσματος αυτοκινήτου, τοποθετήστε τον δακτύλιο καθίσματος αυτοκινήτου στη βάση του καθίσματος. **(46)** Ένας ήχος “κλικ” σημαίνει ότι ο προσαρμογέας δακτυλίου καθίσματος αυτοκινήτου έχει ασφαλίσει.
 - 2** - Για να τοποθετήσετε το ριλάξ, τοποθετήστε το ριλάξ επάνω στον δακτύλιο καθίσματος αυτοκινήτου. Ένας ήχος “κλικ” σημαίνει ότι το ριλάξ έχει ασφαλίσει σωστά. **(47)**
 - 3** - Το ριλάξ και ο δακτύλιος μπορούν να τοποθετηθούν με κατεύθυνση προς τα μπροστά ή προς τα πίσω. **(48)**
 - 4** - Για να αφαιρέσετε το ριλάξ, ελευθερώστε την δεύτερη ασφάλεια για τον προσαρμογέα **(49)**-1, στη συνέχεια πιέστε το κουμπί αποδέσμευσης που βρίσκεται στο πίσω μέρος του ριλάξ **(49)**-2 και ανασηκώστε το **(49)**-3.
 - 5** - Για να αφαιρέσετε τον δακτύλιο, πιέστε τα κουμπιά αποδέσμευσης **(50)**-1 και ανασηκώστε τον **(50)**-2.
- !** Αφαιρέστε το ριλάξ πριν κλείσετε το καρότσι.

Κλείσιμο καροτσιού με τον δακτύλιο

Πριν κλείσετε το καρότσι με τον δακτύλιο, ρυθμίστε τη λαβή στη χαμηλότερη θέση και βεβαιωθείτε ότι οι ασφάλειες των μπροστινών τροχών είναι ξεκλειδωμένες.

- 1 - Τραβήξτε τον πτυσσόμενο ιμάντα στον δακτύλιο για να διπλώσετε το καρότσι. (51)
- ! Το καρότσι με τον δακτύλιο μπορεί να σταθεί επάνω στη λαβή και τους πίσω τροχούς.

TRIV Κάλυμμα βροχής

Βεβαιωθείτε ότι η κουκούλα είναι εντελώς ανοιχτή πριν τοποθετήσετε το κάλυμμα βροχής.

- 1 - Βεβαιωθείτε ότι η κουκούλα είναι εντελώς ανοιχτή πριν τοποθετήσετε το κάλυμμα βροχής. (52)

! Για να συναρμολογήσετε το κάλυμμα βροχής, τοποθετήστε το επάνω στο καρότσι.

ΠΑΝΤΑ να ελέγχετε τον αερισμό όταν το κάλυμμα βροχής είναι επάνω στο προϊόν.

ΠΑΝΤΑ να ελέγχετε ότι το κάλυμμα βροχής είναι καθαρό και στεγνό πριν το διπλώσετε.

ΜΗΝ κλείνετε το καρότσι όταν είναι τοποθετημένο το κάλυμμα βροχής.

Αφαίρεση και συναρμολόγηση μαλακών στοιχείων

Για την αφαίρεση των μαλακών στοιχείων, ακολουθήστε τα βήματα (53) - (66) όπως φαίνονται στις εικόνες και για να τοποθετήσετε τα μαλακά στοιχεία, ακολουθήστε τα βήματα παραπάνω με την αντίστροφη σειρά.

Καθαρισμός και συντήρηση

Καθαρίστε το πλαίσιο, τα πλαστικά μέρη και το ύφασμα με ένα υγρό πανί, αλλά μην χρησιμοποιείτε λειαντικά ή λευκαντικά. Μην χρησιμοποιείτε λιπαντικά πυριτίου, καθώς προσελκύουν ακαθαρσίες και σκόνη. Μην αποθηκεύετε το καρότσι σε υγρό μέρος.

Καθαρίζετε τακτικά τους τροχούς του καροτσιού και απομακρύνετε τυχόν ακαθαρσίες.

Για να εξασφαλίσετε μακροχρόνια χρήση, σκουπίζετε το καρότσι με ένα μαλακό απορροφητικό ύφασμα όταν το χρησιμοποιείτε με βροχερό καιρό.

Για οδηγίες πλυσίματος και στεγνώματος, ανατρέξτε στην ετικέτα περιποίησης που είναι τοποθετημένη στο ύφασμα.

Είναι φυσιολογικό το ύφασμα να ξεθωριάσει από το ηλιακό φως και να παρουσιάσει φθορά μετά από μακρά περίοδο χρήσης, ακόμα και όταν χρησιμοποιείται κανονικά.

Για λόγους ασφαλείας, χρησιμοποιείτε μόνο αυθεντικά εξαρτήματα της Nuna.

Ελέγχετε τακτικά ότι όλα λειτουργούν σωστά. Αν παρατηρήσετε οποιοδήποτε σκίσιμο, φθορά ή απουσία εξαρτημάτων, σταματήστε να χρησιμοποιείτε το προϊόν.

NUNA International B.V.

Το λογότυπο Nuna και όλα τα σχετιζόμενα λογότυπα είναι εμπορικά σήματα.

ÖNEMLİ!
DİKKATLE OKUYUN VE
İLERİDE BAŞVURMAK
ÜZERE SAKLAYIN

İçindekiler

Ürün Bilgisi	347
Ürün Kaydı	
Garanti	
İletişim	
Çocuk Kullanım Gereklilikleri	348
Uyari	349
Parça Listesi	353
Ürün Kurulumu	355
Ürün Kullanımı	357
Aksesuarlar	360
Tekstil Ürünlerini Çıkarma ve Monte Etme	363
Temizlik ve Bakım	363

Ürün Bilgisi

Model Numarası: _____

Üretim Tarihi: _____

Ürün Kaydı

Lütfen yukarıdaki bilgileri doldurun. Model numarası ve üretim tarihi, bebek arabasının gövdesi üzerindeki bir etikette bulunur.

Ürününüzü kaydettirmek için lütfen şu adrese gidin:

www.nunababy.com

Ana sayfadaki "Donanımı Kaydet" linkine tıklayın.

Garanti

Yüksek kaliteli ürünlerimizi, hem çocuğunuzla hem de ailenizle birlikte büyüebilmeleri için bilerek tasarladık. Ürününüzün yanında olduğumuzdan, donanımımız satın alındığı günden itibaren ürün başına özel bir garanti kapsamındadır. Lütfen bizimle iletişime geçtiğinizde satın alma kanıtını, model numarasını ve üretim tarihini yanınızda bulundurun.

Garanti bilgileri için lütfen şu adrese gidin:

www.nunababy.com

Ana sayfadaki "Garanti" linkine tıklayın.

İletişim

Yedek parça, servis veya ek garanti soruları için, lütfen müşteri hizmetleri departmanımızla iletişime geçin.

info@nunababy.com

www.nunababy.com

Çocuk Kullanım Gereklilikleri

Bu bebek arabası koltuğu, aşağıdaki gereklilikleri karşılayan çocuklarla birlikte kullanım için uygundur:

Hangisi önce gelirse, 22 kg'a veya 4 yaşına kadar doğum

Bebek arabası çerçevesini portatif karyola ya da Nuna bebek taşıyıcı modülleriyle kullanırken, bu kullanım kılavuzlarında listelenen çocuk kullanım gereksinimlerine bakın.

⚠ UYARI

Bu uyarılara ve talimatlara uyulmaması, ciddi yaralanma ya da ölümlle sonuçlanabilir.

Daima emniyet kemeri sistemini kullanın.

Her kullanımdan önce port-bebe veya oturma ünitesi veya oto güvenlik koltuğu donatılarının doğru şekilde bağlı olduğunu kontrol edin.

Çocuğunuzun bu ürünle oynamasına izin vermeyin.

Kullanmadan önce tüm kilitleme mekanizmalarının bağlı olduğundan emin olun.

Asla çocuğunuzu gözetimsiz bırakmayın.

Bu ürün koşu veya paten için uygun değildir.

Yaralanmayı önlemek için bu ürünü açarken ve katlarken çocuğunuzun uzakta olduğundan emin olun.

Üretici tarafından onaylanmamış aksesuarlar kullanılmamalıdır. Yalnızca üretici/distribütör tarafından tedarik edilen veya önerilen yedek parçalar kullanılmalıdır.

Montaj işlemi yetişkin tarafından yapılmalıdır.

Dururken **HER ZAMAN** park frenini çekin.

Nuna tarafından tedarik edilmeyen aksesuarların kullanımından kaynaklanan herhangi bir hasar garanti kapsamında olmayacaktır.

Kulpa, arkalığın sırt kısmına ve/veya arabanın yan taraflarına takılan yükler arabanın dengesini etkileyecektir.

Çocuğunuzun bebek arabasına yaklaşmasına izin vermeden önce, bebek arabasının tamamen dikleştiğinden ve mandalla kilitletiğinden emin olun.

Bu kılavuzda izin verilen durumlar dışında, bebek arabasının içinde veya üzerinde fazladan çocuk, eşya, aksesuar **TAŞIMAYIN**. Bebek arabasının dengesiz olmasına neden olabilirler.

Bebek arabasını, radyatör veya ateş gibi güçlü bir ısı kaynağının yakınında ortada **BIRAKMAYIN**.

Tentenin üzerine herhangi bir eşya **KOYMAYIN**.

Bebek arabasını nemli bir yerde **SAKLAMAYIN**. Kumaşın her zaman doğrudan ısıdan uzakta doğal olarak kurummasını sağlayın.

Depolama sepetini çocuk taşıyıcı olarak **KULLANMAYIN**.

Herhangi bir parça hasarlı ya da eksikse bebek arabasını **KULLANMAYIN**.

Bu araba, bir ana gövde ile birlikte kullanılan araç koltukları için bir karyola veya yatak yerine geçmez. Çocuğunuzun uyuması gerektiğinde, uygun bir çocuk arabası gövdesine, karyolaya veya yatağa yerleştirilmelidir.

B ekinin tek başına kullanılması önerilmez.

Küçük parçaları, boğulma tehlikesi oluşturduğundan çocuklardan uzak tutun.

Kaldırım taşlarından ve engebeli zeminlerden dikkatlice geçin. Tekrarlanan darbe, bebek arabasına zarar verebilir.

Çocukların bebek arabası üzerinde ayağa kalkmasına **ASLA** izin vermeyin.

Bebek arabasında **ASLA** bir seferde birden fazla çocuk taşımayın.

Bebek arabasını merdiven ya da yürüyen merdivenlerde **ASLA** kullanmayın. Bebek arabasının kontrolünü aniden kaybedebilirsiniz veya çocuğunuz düşebilir.

Emniyet kemeri her zaman doğru şekilde takılmalı ve ayarlanmalıdır. Emniyet kemeri uygun yetişkin gözetiminin yerine geçmez.

Çocukları yerleştirirken ve kaldırırken park freni devreye sokulmalıdır.

Aşırı yükleme, yanlış katlama ve çocuk koltukları, çanta kancaları, yağmur örtüleri, tekerlekli çocuk basamağı, vb. gibi Nuna tarafından onaylanarlardan farklı aksesuarların kullanılması bebek arabasına zarar verebilir veya bunu emniyetsiz hale getirebilir.

Araba lastikleri parke, laminat ve muşamba gibi pürüzsüz yüzeyler üzerinde siyah ayak sürtme izleri bırakabilir.

BOĞULMA TEHLİKESİ Çocuğunuzun boynunun etrafında ipli nesnelere bulundurmuyun, bu üründen ipler sarkıtmayın veya oyuncaklara ip bağlamayın.

Herhangi bir boğulma tehlikesinden kaçınmak için, bu ürünü kullanmadan önce tüm plastik kapakları çıkarıp yok edin veya bebeklerden ve çocuklardan uzak tutun!

Tehlikeli ve dengesiz bir durumu önlemek için, depolama sepetine 4,5 kg dan, depolama cebine 0,45 kg dan fazla yük koymayın.

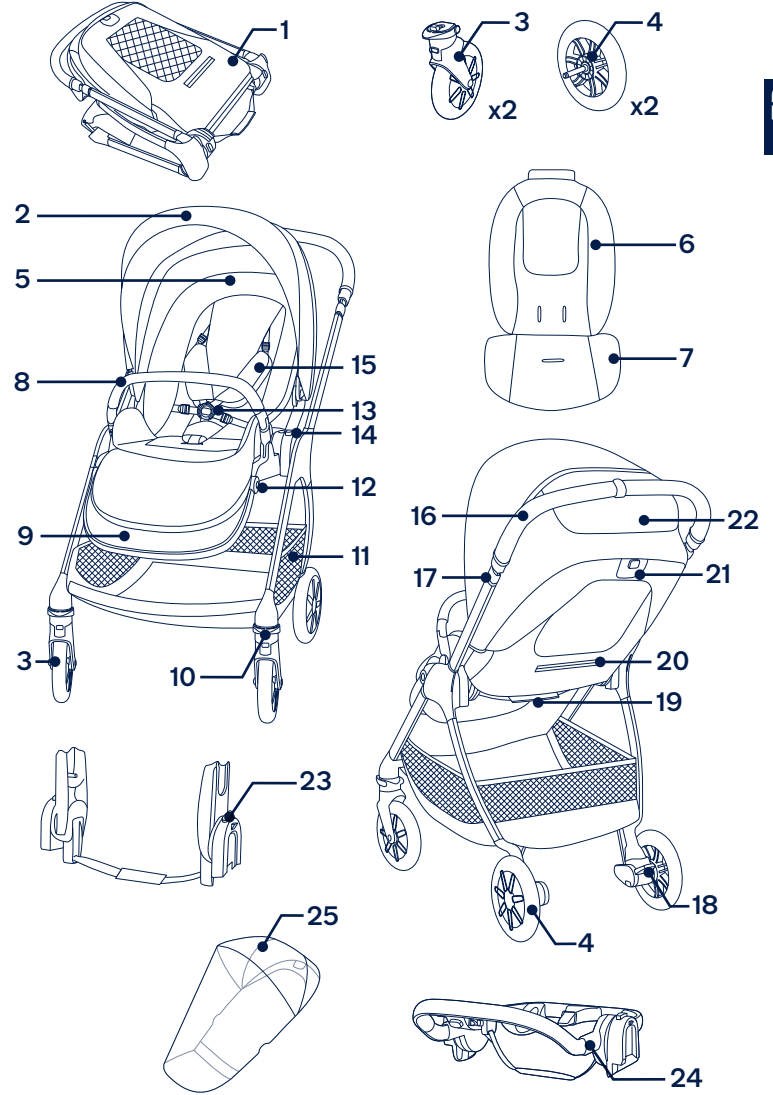
Yeni doğan bebekler için en yatık pozisyonu **KULLANIN**.

Bebek arabasını en fazla 22 kg ağırlığında bir çocukla kullanın. Uygun olmayan bir çocuğa sahip olan bebek arabasına zarar verir.

Parça Listesi

Monte etmeden önce tüm parçaların hazır bulunduğundan emin olun. Eksik parça varsa lütfen yerel satıcınıza başvurun. Montaj için alet gerekli değildir.

- | | | | |
|----|--|----|--|
| 1 | Bebek Arabası Çerçevesi | 15 | Omuz Kayışı Padi |
| 2 | Tente | 16 | Kulup |
| 3 | Ön Tekerlek (x2) | 17 | Kulup Ayarlama Düğmesi |
| 4 | Arka Tekerlek (x2) | 18 | Fren Kolu |
| 5 | Koltuk Minderi | 19 | Katlama Ağı |
| 6 | Ek A | 20 | Depolama Cebi
(maksimum yük = 0,45 kg) |
| 7 | Ek B (tek başına kullanılması önerilmez) | 21 | Yatırma Ayar Düğmesi/
Katlama Serbest Bırakma Düğmesi |
| 8 | Kol Çubuğu | 22 | Tente Penceresi |
| 9 | Baldır Desteği | 23 | Direk Adaptörleri |
| 10 | Döndürme Kilidi | 24 | Araba Koltuğu Halka Adaptörü |
| 11 | Depolama Sepeti | 25 | Yağmurluk |
| 12 | Baldır Desteği Ayar Düğmesi | | |
| 13 | Toka | | |
| 14 | Koltuk Serbest Bırakma Düğmesi | | |



Ürün Kurulumu

TR

Bebek Arabasını Açma

- 1 - Bebek arabası gövdesini çekip çıkarın. (1)
- 2 - Bebek arabası gövdesini açmak için kulpu yukarı döndürün. (2)
- 3 - Açmak için koltuğu çekin. (3)
Duyulan “klik” sesi, koltuğun açıldığı anlamına gelir.
Devam etmeden önce, bebek arabasının mandalının tamamen açık olduğunu kontrol edin.

Koltuk Değişimi

Gerekirse lütfen koltuk yönünü değiştirin.

- 1 - Koltuğu serbest bırakma düğmesine basın (4)-1 ve koltuğu yukarı doğru kaldırın (4)-2.
- 2 - Koltuğu ters çevirin ve ardından gövdeye takın. (5)
Duyulan “klik” sesi koltuğun tamamen sabitlendiği anlamına gelir

Ön Tekerlekler

- 1 - Ön tekerleği ön ayağın içine yerleştirin. (6)
Duyulan “klik” sesi, ön tekerleğin tamamen monte edildiği anlamına gelir.
Çekip çıkararak tekerleğin sıkıca takıldığını kontrol edin.
Diğer tarafta da aynı işlemi tekrarlayın.
- 2 - Ön tekerleği çıkarmak için, serbest bırakma düğmesine basın (7)-1 ve ön tekerleği ön ayaktan çıkarın (7)-2.

Arka Tekerlekler

- 1 - Arka tekerleği arka ayağın içine yerleştirin. (8)
Duyulan “klik” sesi, arka tekerleğin tamamen monte edildiği anlamına gelir.
Çekip çıkararak tekerleğin sıkıca takıldığını kontrol edin.
Diğer tarafta da aynı işlemi tekrarlayın.
- 2 - Arka tekerleği çıkarmak için, serbest bırakma düğmesine basın (9)-1 ve arka tekerleği arka ayaktan çıkarın (9)-2.

Kol Çubuğu

- ! Çocuğu her zaman emniyet kemeriyle emniyet altına alın.
Kol çubuğu bir emniyet donanımı değildir.
- 1 - Kol çubuğu uçlarını kol çubuğu bağlantılarıyla hizalayın ve yerine oturuncaya kadar yerleştirin. (10)
Duyulan “klik” sesi, kol çubuğunun tamamen monte edildiği anlamına gelir.
 - 2 - Kol çubuğunu çıkarmak için, kol çubuğunu serbest bırakma düğmelerine basın (11)-1 ve kol çubuğunu çıkarın (11)-2.

Kurulum Kontrolü

- Bebek arabası gövdesinin mandalı açık
- Bebek arabası koltuğu sıkıca takılmış
- Arka ve ön tekerlekler sıkıca takılmış
- Kol çubuğu sıkıca takılmış

TR

Ürün Kullanımı

TR

Çocuğunuzu Sabitleme

- 1 - Toka mandalını serbest bırakmak için toka üzerinde ortadaki düğmeyi itin, klipsleri çıkarın ve çocuğunuzu bebek arabasına yerleştirin. (12)
- 2 - Omuz tokasını ve kalça tokasını bağlayın. (13)
- 3 - Omuz tokasını ve kalça tokasını toka mandalına sabitleyin ve aynı işlemi diğer tarafta da tekrarlayın. (14)
- 4 - Ayar kayışlarını çekerek sıkıştırın ve emniyet kemerini çocuğunuza sıkıca takın (15)-1. Ardından bel ayar kayışlarını çekip çıkarın (15)-2.

Omuz Kayışı Konumu

- 1 - Üst omuz kayışı tokaları, ek ayar için yukarı ve aşağı hareket ettirilebilir. (16)
- ! Düşme veya kayma sonucu oluşacak ciddi yaralanmaları önlemek için, çocuğunuzu her zaman emniyet kemeriyle sabitleyin.
- Emniyet kemerinin doğru ayarlandığından ve çocuğunuzun sıkıca sabitlendiğinden emin olun. Çocuk ve omuz kayışı arasındaki mesafe yaklaşık bir parmak kalınlığında olmalıdır.
- Omuz kemerlerini ÇAPRAZLAMAYIN. Bu, çocuğun boynuna basınç uygulayacaktır.

Tente

- 1 - Tenteyi açmak için, tenteyi koltuğun önüne doğru çekin ve katlamak için geri itin. (17)
- 2 - Ekstra gölge için tente üzerindeki fermuarı açın. (18)

- 3 - Ek havalandırma için, tente penceresinin kapağını yukarı döndürün. (19)

Yatırma

Arkalık için 4 adet yatırma pozisyonu vardır.

- 1 - Arkalığı kaldırmak veya indirmek için, yatırma ayar düğmesini sıkın (20)-1 ve arkalığı yukarı veya aşağı çekin (20)-2.
- ! Yatırma açısını ayarlarken, lütfen yatırma ayar düğmesinin ortasındaki düğmeye (20)-3 basmayın. Yatırma açısının kullanıma uygun olarak ayarlandığından emin olun.

Baldır Desteği

Baldır desteği 2 kullanım konumuna sahiptir.

- 1 - Baldır desteğini kaldırmak için, yukarı doğru kaldırın.
- 2 - Baldır desteğini indirmek için, ayar düğmesine basın (21)-1 ve aşağı itin (21)-2.

Kulp

Kulp 5 konuma sahiptir.

- 1 - Kulpun yüksekliğini ayarlamak için, kulp ayar düğmesini çekin (22)-1 ve kulpu yukarı veya aşağı çekin (22)-2.

Fren

- 1 - Arka tekerlekleri kilitlemek için, fren koluna basın. (23)
 - 2 - Arka tekerleklerin kilidini açmak için, fren kolunu yukarı doğru kaldırın. (24)
- ! Bebek arabası durduğunda her zaman fren uygulayın. Frenin devreye girdiğinden emin olmak için bebek arabasını hafifçe itin.

TR

Ön Döndürme Kilitleri

Ön döndürme kilitlerinin düz olmayan yüzeylerde kullanılması önerilir.

- 1 - Ön tekerleği kilitlemek için ön döndürme kilidini yukarı çekin. (25)
- 2 - Kilidi açmak için ön döndürme kilidini aşağı itin. (26)

Katlama

Bebek arabası, öne bakan koltuk veya arkaya bakan koltukla veya koltuksuz olarak katlanabilir. Bebek arabasını katlamadan önce, kulpu en alçak konuma ayarlayın ve ön döndürme kilitlerinin kilidinin açıldığından emin olun.

- 1 - Tenteyi katlayın. (27)
 - 2 - Yatırma ayar düğmesinin ortasındaki katlamayı serbest bırakma düğmesine (28)-1 basın ve ardından yatırma ayar düğmesini sıkın(28)-2.
 - 3 - Koltuğu katlayın. (29)
 - 4 - Bebek arabasını katlamak için koltuğun katlama ağını çekin. (30)
 - 5 - Öne bakan koltuğu olan bebek arabası, tekerleklerin yanında olabilir, arkaya bakan koltuğu olan bebek arabası ise kulp ve arka tekerlekler yanında olabilir. (31)
 - 6 - Koltuk bağlantılarının katlama düğmelerine basın. (32)
 - 7 - Bebek arabasını katlayın. (33)
- ! Koltuksuz olan bebek arabası, kulp ve arka tekerleklerin yanında olabilir.

Insert

- 1 - Eklentiye monte etmek için, koltuğun üzerine yerleştirin ve omuz, bel ve kasık kayışlarını ilgili yuvalarından geçirin. (34)
- 2 - Kancayı ve köprü sabitleyicileri takın. (35)

Aksesuarlar

! Bazı modellerde tüm aksesuarlar bulunmaz.

Direk Adaptörleri

Nuna bebek taşıyıcı ve TRIV portatif karyola montajı ve kullanımı için, lütfen bebek taşıyıcıya ve portatif karyola kullanım talimatına bakın.

- 1 - Direk adaptörlerini takmak için, direk adaptörlerini koltuk bağlantıları üzerine yerleştirin. Duyulan “klik” sesi, direk adaptörlerinin sabitlendiği anlamına gelir. (36)(37)
- 2 - Bebek taşıyıcıyı takmak için, bebek taşıyıcıyı direk adaptörleri üzerine yerleştirin. Duyulan “klik” sesi, bebek taşıyıcının sabitlendiği anlamına gelir. (38)
- 3 - Portatif karyolayı takmak için, portatif karyolayı direk adaptörleri üzerine yerleştirin. Duyulan “klik” sesi, portatif karyolanın sabitlendiği anlamına gelir. (39)
- 4 - Bebek taşıyıcı, direk adaptörüne arkaya veya öne bakacak şekilde takılabilir. (40)
- 5 - Portatif karyola, direk adaptörlerine arkaya veya öne bakacak şekilde takılabilir. (41)
- 6 - Bebek taşıyıcıyı çıkarmak için, bebek taşıyıcı üzerindeki serbest bırakma düğmelerini itin (42)-1 ve yukarı doğru kaldırın (42)-2.

- 7- Portatif karyolayı çıkarmak için, portatif karyolanın yan tarafındaki serbest bırakma düğmelerine basın (43)-1 ve yukarı doğru kaldırın (43)-2.
- 8 - Direk adaptörlerini çıkarmak için, adaptörü serbest bırakma düğmelerini çekin (44)-1 ve yukarı doğru kaldırın (44)-2.
- ! Katlamadan önce bebek taşıyıcıyı ve portatif karyolayı çıkarın.

Bebek arabasını Direk adaptörleri ile katlama

Bebek arabasını direk adaptörleriyle katlamadan önce, kulpu en alçak konuma ayarlayın ve ön döndürme kilitlerinin kilidinin açıldığından emin olun.

- 1 - Bebek arabasını katlamak için direk adaptörlerinin koltuğun katlama ağını çekin. (45)
- ! Direk adaptörleri olan bebek arabası, kulp ve arka tekerleklerin yanında olabilir.

Araba Koltuğu halka adaptörü

Nuna bebek taşıyıcı montajı ve kullanımı için, lütfen bebek taşıyıcı kullanım talimatına bakın.

- 1 - Araba koltuğu halka adaptörünü takmak için, araba koltuğu halka adaptörünü koltuk bağlantısı üzerine yerleştirin. (46) Duyulan “klik” sesi, araba koltuğu halka adaptörünün kilitlendiği anlamına gelir.
- 2 - Bebek taşıyıcıyı takmak için, bebek taşıyıcıyı araba koltuğu halka adaptörü üzerine yerleştirin. Duyulan “klik” sesi, bebek taşıyıcının sabitlendiği anlamına gelir. (47)
- 3 - Bebek taşıyıcı ve araba koltuğu halka adaptörü, arkaya veya öne bakacak şekilde takılabilir. (48)

- 4 - Bebek taşıyıcıyı çıkarmak için, adaptör için olan ikinci emniyet kilidini serbest bırakın (49)-1, ardından bebek taşıyıcının arkasında bulunan serbest bırakma düğmesini itin (49)-2 ve yukarı doğru kaldırın (49)-3.
- 5 - Araba koltuğu halka adaptörünü çıkarmak için, adaptörü serbest bırakma düğmelerini itin (50)-1 ve yukarı doğru kaldırın (50)-2.
- ! Katlamadan önce bebek taşıyıcıyı çıkarın.

Bebek arabasını Araba Koltuğu halka adaptörü ile katlama

Bebek arabasını araba koltuğu halka adaptörüyle katlamadan önce, kulpu en alçak konuma ayarlayın ve ön döndürme kilitlerinin kilidinin açıldığından emin olun.

- 1 - Bebek arabasını katlamak için araba koltuğu halka adaptörününün katlama ağını çekin. (51)
- ! Araba koltuğu halka adaptörü olan bebek arabası, kulp ve arka tekerleklerin yanında olabilir.

TRIV Yağmurluk

Yağmurluğu takmadan önce tentenin tamamen açık olduğundan emin olun.

- 1 - Yağmurluğu kurmak için, bebek arabasının üzerine yerleştirin. (52)
- ! Yağmurluk ürünün üzerindeyken havalandırmayı **DAİMA** kontrol edin.

Katlamadan önce **HER ZAMAN** yağmurluğun temizlenmiş ve kurumuş olduğunu kontrol edin.

Yağmurluk takılıken bebek arabasını **KATLAMAYIN**.

Sıcak havalarda yağmurluk takılıken çocuğunuzu bebek arabasına **YERLEŞTİRMEYİN**.

Tekstil Ürünlerini Çıkarma ve Monte Etme

Yumuşak koltuk kılıflarını sökmek için, (53) - (66)'deki adımları takip edin ve yumuşak koltuk kılıflarını tekrar monte etmek için yukarıdaki adımları tersten uygulayın.

Temizlik ve Bakım

Gövdeyi, plastik parçaları ve kumaşı nemli bir bezle temizleyin ancak aşındırıcılar veya çamaşır suyu kullanmayın. Kir ve kir tabakalarını çekeceklerinden silikon yağlayıcılar kullanmayın. Bebek arabasını nemli bir yerde saklamayın.

Bebek arabasının tekerleklerini, düzenli olarak suyla temizleyin ve kirleri çıkarın.

Uzun süreli kullanım sağlamak için, bebek arabasını yağmurlu havalarda kullandıktan sonra yumuşak, emici bir bezle silin.

Yıkama ve kurutma talimatları için tekstil ürünlerine iliştirilmiş bakım etiketine bakın.

Kumaşın güneş ışığından dolayı renk değiştirmesi ve normal bir şekilde kullanıldığında bile, uzun süre kullanıldıktan sonra aşınması ve yıpranması normaldir.

Güvenlik nedeniyle, yalnızca orijinal Nuna parçaları kullanın.

Her şeyin düzgün çalışıp çalışmadığını düzenli olarak kontrol edin. Yırtılmış, kırılmış veya eksik herhangi bir parça varsa, bu ürünü kullanmayı bırakın.

المحتويات

٣٦٨	معلومات المنتج
	تسجيل المنتج
	الضمان
	جهات الاتصال
٣٦٧	متطلبات الاستخدام الخاصة بالأطفال
٣٧٠	تحذيرات
٣٧٤	قائمة الأجزاء
٣٧٦	إعداد المنتج
٣٧٨	استخدام المنتج
٣٧٩	الملحقات
٣٨١	فك وتركيب الأجزاء المستهلكة
٣٨٣	التنظيف والصيانة

هام!
يرجى القراءة جيدا والاحتفاظ به
للرجوع إليه مستقبلا.

معلومات المنتج

رقم الطراز: _____

تاريخ التصنيع: _____

تسجيل المنتج

يرجى كتابة المعلومات الواردة أعلاه، ويوجد رقم الطراز وتاريخ التصنيع على ملصق موضوع على إطار عربة الأطفال،

لتسجيل المنتج يرجى زيارة الموقع الإلكتروني التالي:

www.nunababy.com

انقر فوق رابط "تسجيل الجهاز" في الصفحة الرئيسية.

الضمان

لقد صممنا عن قصد منتجاتنا بأن تكون عالية الجودة بحيث يمكن أن تتعايش مع طفلك وعائلتك، ونظرًا لأننا ندعم منتجاتنا فإنها مغطاة بضمان مخصص لكل منها بداية من اليوم الذي تم شراؤه فيه؛ لذا يرجى أن يكون لديك إثبات الشراء ورقم الطراز وتاريخ التصنيع عند الاتصال بنا.

لمزيد من المعلومات عن الضمان يرجى زيارة الموقع:

www.nunababy.com

انقر فوق رابط "الضمان" في الصفحة الرئيسية.

جهات الاتصال

للحصول على الاستفسارات المتعلقة بقطع الغيار أو الخدمة أو استفسارات الضمان الإضافية يرجى الاتصال بمركز خدمة العملاء.

info@nunababy.com

www.nunababy.com

متطلبات الاستخدام الخاصة بالأطفال

يُعد مقعد عربة الأطفال هذا مناسب للاستخدام مع الأطفال الذين يستوفون الشروط التالية:

الميلاد حتى 22 كجم أو 4 سنوات أيهما أولاً

راجع متطلبات الاستخدام الخاصة بالأطفال المدرجة في كتيبات التعليمات هذه عند Nuna استخدام إطار عربة الأطفال مع حقيبة حمل الطفل أو حوامل الطفل من.

⚠ تحذير

قد يؤدي عدم مراعاة هذه التحذيرات والتعليمات إلى وقوع إصابات بالغة أو الوفاة.

واستخدم دائماً نظام كبح العربة.

تحقق من صحة تعشيق هيكل العربة أو وحدة المقعد أو أدوات تثبيت المقعد قبل الاستخدام.

تجنب عبث الطفل بهذا المنتج.

تأكد من تأمين كافة أجهزة القفل قبل الاستخدام.

لا تترك طفلك أبداً دون رقابة.

هذا المنتج غير مناسب للاستخدام أثناء الجري أو الترحلق.

تأكد من إبعاد الطفل عند بسط العربة أو طيها لتجنب إلحاق أي ضرر به.

يجب عدم استخدام قطع الغيار غير المعتمدة من قبل الجهة المصنعة. يجب ألا يتم استخدام إلا قطع الغيار المرفقة أو الموصى بها من قبل الجهة المصنعة / الموزع.

احرص دائماً على تعشيق المكابح عند التوقف.

يجب التركيب من قبل شخص بالغ.

لن يتم تغطية أي ضرر ناتج عن استخدام الملحقات التي لا توفرها شركة Nuna من حيث الضمان.

لا تربط أشياء بالمقبض أو ظهر المقعد أو جوانب عربة الأطفال لأنها ستؤثر على ثباتها.

تأكد من فرد العربة بالكامل وتثبيتها باستخدام المزلاج قبل السماح للطفل بالاقتراب منها.

تجنّب حمل أطفال أو سلع أو إكسسوارات إضافية بالعربة ما عدا ما هو مسموح به في هذا الدليل، حيث قد يتسبب ذلك في إخلال توازنها.

تجنّب ترك عربة الأطفال في مكان قريب من مصدر حرارة قوي كجهاز الإشعاع أو مصادر اللهب المكشوفة.

تجنّب وضع أي جسم على المظلة.

تجنّب تخزين عربات الأطفال في مكان رطب. اترك دائماً القماش حتى يجف بشكل طبيعي بعيداً عن الحرارة المباشرة.

تجنّب وضع الطفل داخل سلة التخزين.

تجنّب استخدام العربة في حالة تلف أحد مكوناتها أو فقدانها.

لا تستبدل هذه العربة بسرير الطفل أو الفراش وذلك في مقاعد السيارات المقترنة بهيكل السيارة. وفي حالة رغبة الطفل في النوم، يجب وضعه في عربة الطفل أو حقيبة حمل أو سرير ملائمين.

لا يقترح استخدام الوليعة B بمفردها.

يرجى حفظ الأجسام الصغيرة بعيداً عن متناول الأطفال؛ وذلك لأنها تعرضهم لخطر الاختناق.

احرص على السير بعناية بالعربة على الأرصفة والأرض الفاسية، حيث تؤدي الارتطامات المتكررة إلى تلف العربة.

يُحظر السماح للأطفال بالوقوف فوق العربة.

يُحظر حمل أكثر من طفل واحد في وقت واحد في عربة الأطفال.

يُحظر استخدام عربة الأطفال على الدرج أو السلالم الكهربائية، حيث تفقد فجأة السيطرة على العربة، أو قد يسقط طفلك.

احرص دائماً على ربط الحزام وضبطه بطريقة صحيحة. لا يُعني استخدام الحزام غض النظر عن إشراف الراشدين.

يجب تعشيق المكابح عند وضع الطفل في العربة وإخراجه منها.

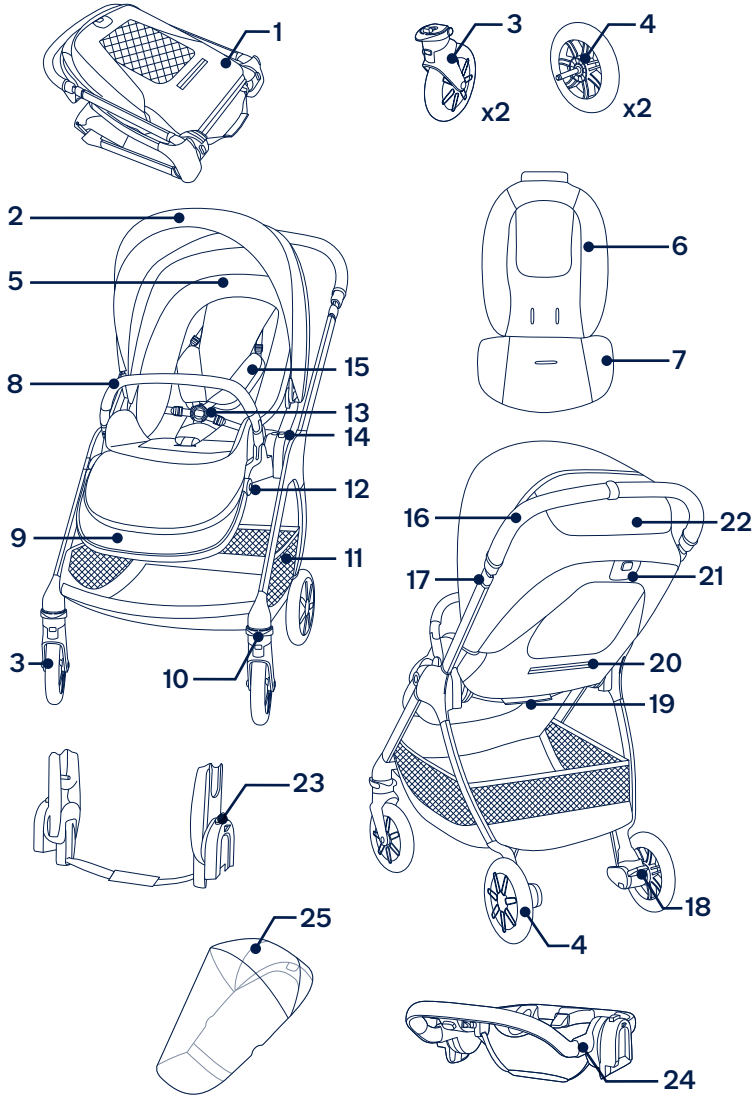
تأكد من فرد العربة بالكامل وتثبيتها باستخدام المزلاج قبل السماح للطفل بالاقتراب منها.

قد يتسبب التحميل الزائد والطي غير الصحيح واستخدام ملحقات -مثل مقاعد الأطفال وحملات الحقيبة وأغطية المطر وألواح العربات وغيرها... بخلاف تلك المعتمدة من قبل شركة Nuna في تلف عربة الأطفال أو جعلها غير آمنة.

قد تترك الإطارات المطاطية علامات سوداء على الأسطح الملساء كالأرضية الخشبية والأرضيات المؤلفة من صفائح رقيقة والمشمع. لتفادي الاختناق تجنّب وضع أي أجسام مزودة بسلاسل حول عنق الطفل أو تعليق حبال أو أسلاك من هذا المنتج أو ربط حبال بالألعاب. لتجنّب خطر الاختناق قم بإزالة جميع الأغذية البلاستيكية قبل استخدام هذا العربة والتخلص منها أو إبعادها عن الأطفال والرضع. لتفادي الحالات الخطرة أو غير المستقرة تجنّب وضع عناصر يزيد وزنها على ٤,٥ كجم في سلة التخزين وأكثر من ٠,٤٥ كجم في جيب التخزين. يُوصى باستخدام وضعية الإمالة المُصممة خصيصًا للأطفال حديثي الولادة. استخدم العربة مع أطفال لا يزيد وزنهم عن ٢٢ كجم. إن استخدام العربة لحمل طفل أثقل قد يؤدي إلى تلفها.

قائمة الأجزاء

يرجى التأكد من توافر كافة الأجزاء قبل القيام بالتركيب، في حالة فقد أحد الأجزاء يرجى الاتصال بالمُوزع المحلي. لا توجد أدوات مطلوبة للتجميع.



١٤	زر تحرير المقعد	١	إطار عربة الأطفال
١٥	بطانة أحزمة الكتف	٢	المظلة
١٦	المقبض	٣	عدد ٢ عجلة أمامية
١٧	زر ضبط المقبض	٤	عدد ٢ عجلة خلفية
١٨	ذراع الفرامل	٥	بطانة المقعد
١٩	حزام الطي	٦	الوليجة A
٢٠	جيب التخزين (الحمولة القصوى = ٤,٥ كجم)	٧	الوليجة B (لا يُقترح استخدامها بمفردها)
٢١	زر الطي/ضبط الانحناء	٨	مقبض الذراع
٢٢	نافذة المظلة	٩	مسند الساق
٢٣	الدعامات	١٠	القفل الدوار
٢٤	مهايئ حلقي لمقعد السيارة	١١	سلة التخزين
٢٥	غطاء واقٍ من المطر	١٢	زر ضبط مسند الساق
		١٣	إبزيم

إعداد المنتج

فتح العربة

١ - أخرج إطار عربة الأطفال. (١)

٢ - لف المقبض لأعلى لفتح إطار العربة. (٢)

٣ - اسحب المقعد لفتحه. (٣)

يشير سماع صوت "نقرة" إلى أن المقعد قم تم فتحه.

تأكد من فتح العربة بالكامل قبل المتابعة.

تبديل وضع المقعد

أحرص على تبديل وضع المقعد إذا كانت هناك حاجة لذلك.

١ - اضغط على زر تحرير المقعد (٤-١) وارفع المقعد لأعلى (٤-٢).

٢ - اقلب المقعد، ثم وصله بالإطار. (٥)

يشير سماع صوت "نقرة" إلى أنه قد تم تركيب المقعد بالكامل.

العجلات الأمامية

١ - ادخل العجلة الأمامية في الرجل الأمامية. (٦)

يشير سماع صوت "نقرة" إلى أنه قد تم تركيب العجلة الأمامية بالكامل.

تأكد من إحكام ربط العجلة عن طريق سحبها للخارج،

وكرر ذلك على الجانب الآخر.

٢ - لإزالة العجلة الأمامية اضغط على زر التحرير (٧-١)، وافصلها من الرجل الأمامية (٧-٢).

العجلات الخلفية

١ - ادخل العجلة الخلفية في الرجل الخلفية. (٨)

يشير سماع صوت "نقرة" إلى أنه قد تم تركيب العجلة الخلفية بالكامل.

تأكد من إحكام ربط العجلة عن طريق سحبها للخارج،

وكرر ذلك على الجانب الآخر.

٢ - لإزالة الخلفية الأمامية اضغط على زر التحرير (٩-١)، وافصلها من الرجل الخلفية (٩-٢).

مقبض الذراع

! أحرص دائماً على تثبيت الطفل بإحكام باستخدام الحزام، حيث إن مقبض الذراع ليس بنظام للتثبيت.

١ - قم بمحاذاة نهايات مقبض الذراع مع حوامله، وأدخلها حتى تستقر في مكانها. (١٠)

يشير سماع صوت "نقرة" إلى أنه قد تم تركيب المقبض بالكامل.

٢ - لفصل مقبض الذراع اضغط على أزرار تحريره (١١-١)، ثم انزعه (١١-٢).

التحقق من الإعدادات

إطار العربة مفتوح.

مقعد عربة الأطفال مركب بإحكام.

العجلات الأمامية والخلفية مركبة بإحكام.

مقبض الذراع مركب بإحكام.

استخدام المنتج

تأمين الطفل

- ١ - اضغط على الزر الأوسط الموجود على الإبزيم لتحرير قفل الإبزيم، ثم قم بإزالة المشابك، وضع الطفل في العربة. (١٢)
 - ٢ - وصل إبزيم الكتف وإبزيم الورك. (١٣)
 - ٣ - ثبت إبزيم الكتف وإبزيم الورك باستخدام القفل، وكرر ذلك على الجانب الآخر. (١٤)
 - ٤ - ثبت الأحزمة على الطفل، وذلك عن طريق سحب أشرطة الضبط لتشييد الحزام (١٥)-١، ثم اسحب أشرطة الضبط الموجودة على الخصر للخارج (١٥)-٢.
- وَضْعُ حِزَامِ الْكَتِفِ
- ١ - يمكن تحريك إبزيم حزام الكتف العلوية لأعلى ولأسفل لإحكام التثبيت. (١٦)

! لتفادي وقوع إصابات بالغة ناجمة من الوقوع أو الانزلاق احرص دائماً على تثبيت الطفل باستخدام الحزام.

تأكد من ضبط الحزام ضبطاً صحيحاً وأن الطفل مثبت بإحكام، وتأكد من أن المسافة بين الطفل وحزام الكتف تساوي سُمك إصبع واحدة تقريباً. تجنّب ربط أحزمة الكتف بصورة متقاطعة، حيث سيؤدي هذا إلى الضغط على رقبة الطفل.

المظلة

- ١ - لفتح المظلة اسحبها باتجاه مقدمة المقعد، ولطيها ادفعها للخلف (١٧).
- ٢ - افتح السوستة الموجودة على المظلة لتوفير حماية أكبر من الضوء (١٨).

٣ - لتوفير قدر أكبر من التهوية اقلب غطاء نافذة المظلة لأعلى. (١٩)

الإمالة إلى الخلف

صُمم مسند الظهر بأربع زوايا إمالة،

- ١ - لرفع مسند الظهر أو خفضه اضغط على زر ضبط الإمالة (٢٠)-١، واسحب مسند الظهر لأعلى أو لأسفل (٢٠)-٢.
- ! يرجى عدم الضغط على الزر (٢٠)-٣ الموجود في منتصف زر ضبط الانحناء عند ضبط زاوية الانحناء. تأكد من أن وضع الانحناء صالح للاستخدام.

مسند الساق

توجد وضعيتان لمسند الساق.

- ١ - لرفع مسند الساق ارفعه لأعلى.
- ٢ - لخفض مسند الساق اضغط على زر الضبط (٢١)-١، وادفعه لأسفل (٢١)-٢.

المقبض

توجد ٥ وضعيات لضبط المقبض.

- ١ - لضبط ارتفاع المقبض اضغط زر ضبط المقبض (٢٢)-١ واسحب المقبض لأعلى أو لأسفل (٢٢)-٢.

الفرامل

- ١ - لغلاق العجلات الخلفية اضغط على ذراع الفرامل لأسفل. (٢٣)
- ٢ - لفتح العجلات الخلفية ارفع ذراع الفرامل. (٢٤)

! احرص دائماً على تعشيق الفرامل عندما تكون عربة الأطفال متوقفة،
وادفع العربة قليلاً للتأكد من تعشيق الفرامل.

الأقفال الدوارة الأمامية

يُوصى باستخدام الأقفال الدوارة الأمامية على الأسطح غير المستوية.

- ١ - اسحب القفل الدوار الأمامي لأعلى لقفل العجلة الأمامية. (٢٥)
- ٢ - اضغط على القفل الدوار الأمامي باتجاه الأسفل لفتحه. (٢٦)

الطّي

يمكن طّي عربة الأطفال ذات المقعد الأمامي أو الخلفي أو تلك التي بدون مقعد، فقبل طّي العربة اضبط المقبض على أدنى موضع، وتأكد من فتح الأقفال الدوارة الأمامية.

- ١ - طّي المظلة (٢٧)
- ٢ - اضغط على زر الطّي (٢٨)-١ الموجود في منتصف زر ضبط الانحناء، ثم اضغط على زر الضبط الانحناء(٢٨)-٢.
- ٣ - طّي المقعد (٢٩)
- ٤ - اسحب حزام طي المقعد لطي العربة. (٣٠)
- ٥ - يمكن للعربة ذات المقعد المتجه للأمام أن تقف باستخدام عجلات، ويمكن لتلك ذات المقعد المتجه للخلف أن تقف باستخدام المقبض والعجلات الخلفية. (٣١)
- ٦ - اضغط على أزرار طّي حوامل المقعد. (٣٢)
- ٧ - طّي عربة الأطفال (٣٣)

! يمكن لعربات الأطفال غير المزودة بمقاعد أن تقف باستخدام المقبض والعجلات الخلفية.

الوليجة

- ١ - لتركيب الوليجة ضعها أعلى المقعد، ثم أدخل أحزمة الكتف والخصر والساقين في الفتحات المخصصة لها. (٣٤)
- ٢ - تثبت مشابك ربط الحلقة. (٣٥)

الملحقات

! لا يتم تضمين جميع الملحقات في بعض الطرزات.

الدعامات

لتجميع واستخدام حامل الطفل Nuna وحقيبة حمل الطفل TRIV يرجى الرجوع إلى دليل التعليمات الخاص بكل منهما.

- ١ - لتركيب الدعامات ضعها على حوامل المقعد، ويشير سماع صوت "نقرة" إلى أن الدعامات قد تم تركيبها. (٣٦)(٣٧)
- ٢ - لتركيب حامل الطفل وضعه على الدعامات، ويشير سماع صوت "نقرة" إلى أن الحامل قد تم تركيبه. (٣٨)
- ٣ - لتركيب حقيبة حمل الطفل ضعها على الدعامات، ويشير سماع صوت "نقرة" إلى أن الحقيبة قد تم تركيبها. (٣٩)
- ٤ - يمكن تثبيت حامل الأطفال في الجهة الخلفية أو الأمامية للدعامات. (٤٠)
- ٥ - يمكن تثبيت حقيبة حمل الطفل في الجهة الخلفية أو الأمامية للدعامات. (٤١)
- ٦ - لفصل حامل الأطفال اضغط على أزرار التحرير الموجودة على الحامل (٤٢)-١ وارفعه لأعلى (٤٢)-٢.
- ٧ - لفصل حقيبة حمل الطفل اضغط على أزرار التحرير الموجودة على جانب الحقيبة (٤٣)-١ وارفعها لأعلى. (٤٣)-٢
- ٨ - لفصل الدعامات اضغط على أزرار تحريرها (٤٤)-١ وارفعها لأعلى (٤٤)-٢.

! انزع حامل وحقيبة حمل الطفل قبل الطّي.

طَيّ عربيات الأطفال المزودة بدعامات

قبل طَيّ العربة المزودة بدعامات اضبط المقبض على أدنى موضع، وتأكد من فتح الأقفال الدوارة الأمامية.

١ - اسحب حزام طَيّ الدعامات لطَيّ العربة. (٤٥)

! يمكن لعربات الأطفال المزودة بدعامات أن تقف باستخدام المقبض والعجلات الخلفية.

المهائى الحلقى لمقعد السيارة

لتجميع واستخدام حامل الطفل Nuna يرجى الرجوع إلى دليل التعليمات.

١ - لتركيب المهائى الحلقى لمقعد السيارة ضعه على حامل المقعد، (٤٦) ويشير سماع صوت "نقرة" إلى أن المهائى الحلقى قد تم تركيبه.

٢ - لتركيب حامل الطفل ضعه على المهائى الحلقى لمقعد السيارة، ويشير سماع صوت "نقرة" إلى أن الحامل قد تم تركيبه. (٤٧)

٣ - يمكن تركيب حامل الطفل والمهائى الحلقى لمقعد السيارة في الجهة الخلفية أو الأمامية. (٤٨)

٤ - لإزالة حامل الطفل حرر قفل الأمان الثانى للدعامة (٤٩)-١، ثم اضغط على زر التحرير الموجود في الجزء الخلفى من الحامل الرضيع (٤٩)-٢ وارفعه لأعلى (٤٩)-٣.

٥ - لفصل المهائى الحلقى لمقعد السيارة اضغط على أزرار تحريره (٥٠)-١ وارفعه لأعلى (٥٠)-٢.

! انزع حامل الرضيع قبل الطي.

طَيّ عربيات الأطفال المزودة بمهائى حلقى لمقعد السيارة

قبل طَيّ العربة المزودة بمهائى حلقى لمقعد السيارة اضبط المقبض على أدنى موضع، وتأكد من فتح الأقفال الدوارة الأمامية.

١ - اسحب حزام طَيّ المهائى الحلقى لمقعد السيارة لطَيّ العربة. (٥١)

! يمكن لعربات الأطفال المزودة بمهائى حلقى لمقعد السيارة أن تقف باستخدام المقبض والعجلات الخلفية.

TRIV غطاء واقى من المطر

تأكد من أن المظلة مفتوحة تمامًا قبل تثبيت الغطاء الواقى من المطر.

١ - لتركيب الغطاء الواقى من المطر، ضعه أعلى عربة الأطفال. (٥٢)

! احرص دائما على فحص منفذ التهوية في حالة وجود الغطاء الواقى من المطر على المنتج.

احرص دائما على التأكد من تنظيف الغطاء الواقى من المطر وتجفيفه قبل طيه.

يمنع طي عربة الأطفال حال كون الغطاء الواقى من المطر مركبًا.

يمنع وضع الطفل في عربة الأطفال في الطقس الحار مع غطاء المطر مركبًا.

فك وتركيب الأجزاء المستهلكة

لفك الأجزاء الطرية في المقعد اتبع الخطوات (٥٣) - (٦٦) كما هو موضح، ولإعادة تجميعها اعكس الخطوات المذكورة أعلاه.

التنظيف والصيانة

قم بتنظيف الإطار والأجزاء البلاستيكية والقماش بقطعة قماش مبللة، ولكن لا تستخدم المواد الكاشطة أو المبيضة. لا تستخدم مواد التشحيم المصنوعة من السيليكون لأنها ستجذب الأوساخ والسخام. تجنّب تخزين عربات الأطفال في مكان رطب.

نظف عجلات العربة بانتظام بالماء، واحرص على إزالة أي أوساخ.

لضمان الاستخدام طويل الأمد قم بمسح العربة بقطعة قماش ناعمة وماصة بعد استخدامها في الطقس الممطر.

راجع الملصقات المرفقة الخاصة بالعناية بالأقمشة غير المعمرة للحصول على إرشادات الغسيل والتجفيف.

من الطبيعي أن يتم تلوين الأقمشة نتيجة تعرضها لأشعة الشمس وإظهار علامات البلى بعد فترة طويلة من الاستخدام حتى عند استخدامها بشكل طبيعي.

لأسباب تتعلق بالسلامة يرجى استخدام الأجزاء الأصلية فقط من Nuna.

تحقق باستمرار من أن كل شيء يعمل بشكل صحيح. إذا كان هناك أي أجزاء ممزقة أو مكسورة أو مفقودة، فتوقّف عن استخدام هذا المنتج.

注意！

説明書を読んだ後は大切に保管して下さい。
また、この製品を譲ったり、貸したりする時は
取扱説明書を一緒に付けて下さい。

目次

保証書	387
使用対象年齢について	388
アフターサービスについて	388
使用上の注意	389
使用部品	391
組立方法	393
使用方法	395
付属品について	398
ソフトグッズの取付・取外し方法	400
クリーニング・お手入れ方法	402

保証書

〈保証規定〉

○本保証書は日本国内においてのみ有効です。

(This warranty is valid only in Japan)

海外でご使用頂いている場合、修理サービスは致しかねます。

1.正常なご使用状態において製造上の不備により故障及び損傷した場合は、お買い上げ日から保証期間内、無料にて修理致します。

2.次のような場合は、保証期間内でも有料修理となります。

- ・お客様の誤使用、または改造や不当な修理による故障及び損傷
 - ・火災、地震、水害、落雷、その他の天災地変による故障及び損傷
 - ・本保証書の提示がない場合
 - ・本保証書に購入年月日付きのお買い上げ店印、もしくはレシートや納品書などの購入年月日の解る書類の添付がないもの
 - ・中古品、譲渡品、レンタル品でのご使用につきましては、無償修理のご対応は致しかねますのでご了承下さい。
 - ・お買い上げ後の輸送、移動、落下等による故障及び損傷の場合
 - ・車輪やハンドグリップの自然磨耗等、消耗部品が消耗し、取り替えを要する場合
 - ・生地やプラスチック等の自然劣化による変色、傷や汚れ
- 3.次のような場合は、保証期間内であっても修理できない場合があります。
- ・製造中止の製品で、部品の在庫がなくなった場合
 - ・不正改造による修理不能になった場合
 - ・木部の折損、塗装のはがれ等

品名	ベビーカートリヴ	保証期間	お買い上げ日より1年間 (ただし保証規定による)
お客様	お名前	お買い上げ日	年 月 日
	ご住所	TEL	

※保証期間中に部品の欠品、不良加工など弊社の責任によるもの、取扱説明書や注意書きにしたがった正常な使用状態で故障した場合には、保証規定にもとづき無償修理を致します。

※修理箇所の保証期間は3ヶ月です。

※本書は再発行いたしませんので大切に保管して下さい。

使用対象年齢について

体重22 kgまたは4歳頃までのお子様にご使用して頂けます。
また、別売りのPIPAシリーズのベビーシートを使用する場合は、ベビーシートの取扱説明書に記載されているお子様の使用対象を参照して下さい。

アフターサービスについて

使用中に製品が正しく使えない、点検時に問題を見つけた、部品の修理や交換が必要、固定されている部品が緩んでいる、もしくはきしむ、部品が足りない、車輪の回転異常、その他異常に気が付いた場合は、使用を中止し、製品名および製品番号、製造年月日を確認して下記までご連絡下さい。

発売元：株式会社カトージ 〒484-0817 愛知県犬山市羽黒北金屋39-2

TEL. 0568-67-5701 FAX. 0568-67-8322

受付時間 AM10:00~PM5:00 (土日、祝祭日を除く)

▲ 使用上の注意

- 取扱説明書の指示に従わない場合は重症または死亡につながる恐れがあります。
- ベビーカーにお子様を乗せる場合は必ずシートベルトを締めて下さい。
- 車体フレームに座席やベビーシートを取り付ける場合は必ず確実に取り付いていることを必ず確認して下さい。
- お子様がベビーカーで遊ばないように注意して下さい。
- ベビーカーを使用する前に全てのロック部分が確実に固定していることを必ず確認して下さい。
- この製品はランニングやスケートには適しておりません。
- ベビーカーを開いたり、折り畳んだりする場合は怪我の原因になりますので絶対にお子様を近づけないで下さい。
- メーカーが承認していない部品やアクセサリは使用しないで下さい。メーカーが提供または推奨する交換部品のみを使用して下さい。
- 保護者の方は取扱説明書をよく読んでからベビーカーを使用して下さい。
- 停車中は必ず後輪ストッパーを掛けて下さい。
- メーカーが提供していないアクセサリを使用した場合の損傷は保証の対象外です。
- ハンドルや背もたれの背面に荷物を掛けるとベビーカーの安定性が悪くなりますのでお止め下さい。
- お子様がベビーカーに近づく前に必ずベビーカーが確実に固定されているのを確認して下さい。
- このベビーカーに1人以上のお子様を乗せないで下さい。
- 火の近くやストーブなどの近くにベビーカーを放置しないで下さい。
- ホロの上に荷物を置かないで下さい。
- ベビーカーを湿気の多い場所に保管しないで下さい。
- 収納カゴにお子様を乗せないで下さい。
- 部品が破損、または紛失してしまった場合、ベビーカーを使用しないで下さい。

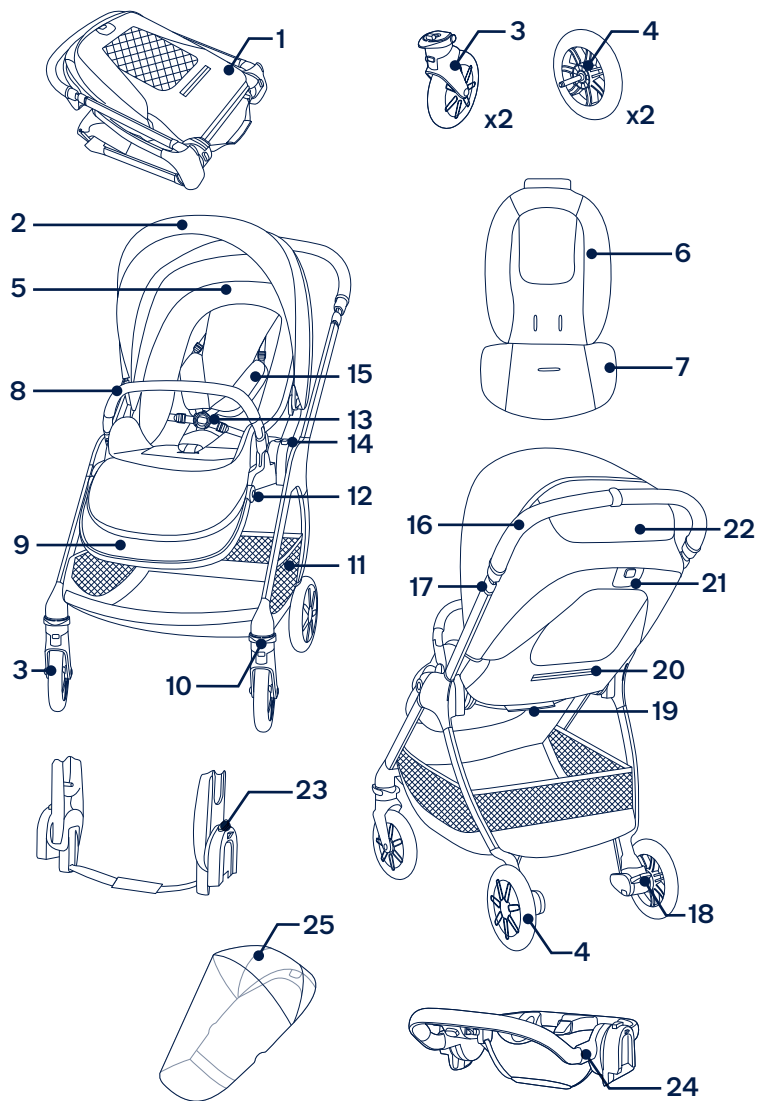
- 車体フレームにベビーシートを取り付けて使用する場合ベビーベッドとして使用しないで下さい。お子様が寝る場合はベビーベッドに寝かせて下さい。
- インナークッションを取り付ける場合はA、B両方とも取り付けて下さい。
- 小さな部品は窒息の原因になりますのでお子様の近くには絶対に置かないで下さい。
- 段差やでこぼこ道等は慎重に走行するようにして下さい。
- ベビーカーに衝撃が繰り返される場合は、ベビーカーが損傷する可能性があります。
- 座席の上にお子様立たないように注意して下さい。
- 階段やエスカレーターの付近では絶対に使用しないで下さい。
- シートベルトは確実に正しく取り付けて長さを調節して下さい。
- お子様を乗せ降ろしする際は、後輪ストッパーを掛けて下さい。
- 間違った折り畳みや、無理な力がかかった場合ベビーカーが破損、故障する場合があります。
- ベビーカーのゴム製タイヤは滑らかな綺麗な道では黒い跡が付く場合があります。
- お子様の首の周りにひもの付いた物を置いたり、ベビーカーにひもを吊したり、おもちゃにひもを付けたりしないで下さい。
- 窒息の危険性がありますので、すべての梱包材やビニール袋はお子様の手の届かない場所に保管するか廃棄して下さい。
- 収納カゴに4.5kg以上の荷物を入れしないで下さい。
- 背もたれポケットに0.5kg以上の荷物を入れしないで下さい。
- 生まれたばかりの赤ちゃんを乗せる場合は、背もたれのリクライニングを最も倒した状態にして下さい。
- 体重22kg以下のお子様をこのベビーカーに乗せることができます。

使用部品

組み立てる前に全ての部品が揃っているかご確認下さい。

- | | |
|-------------------|-------------------------------|
| 1 本体 | 14 座席取り外しボタン |
| 2 ホ口 | 15 肩ベルトカバー |
| 3 前輪 (x2) | 16 ハンドル |
| 4 後輪 (x2) | 17 高さ調節レバー |
| 5 背もたれ | 18 後輪ストッパー |
| 6 インナークッション A | 19 折畳みベルト |
| 7 インナークッション B | 20 背もたれポケット
(耐荷重 = 0.5 kg) |
| 8 ガード | 21 リクライニングレバー |
| 9 フットサポート | 22 ホ口窓カバー |
| 10 前輪ストッパー | 23 アダプター |
| 11 収納カゴ | 24 リングアダプター |
| 12 リクライニング
ボタン | 25 レインカバー |
| 13 シートベルト | |

※インナークッションを取り付ける場合は必ずA、B両方取り付けて下さい。



組立方法

ベビーカーの開き方

- 1- 箱から本体を出して下さい。(1)
 - 2- ハンドルを起こして車体フレームを開いて下さい。(2)
 - 3- 背もたれを起こして下さい。(3)
- ！車体フレーム、座席が確実に固定されていることを必ず確認して下さい。

座席向きの調節方法

座席の向きを背面⇄対面に調節することができます。

- 1- 座席の両側にある座席取り外しボタンを押しながら (4)-1 座席を取り外して下さい。(4)-2
- 2- 座席の向きを変えて車体フレームに取り付けて下さい。(5)
！車体フレーム、座席が確実に固定されていることを必ず確認して下さい。

前輪の取付・取外し方法

- 1- 車体フレームの前脚に前輪を差し込んで下さい。(6)
！両側の前輪が確実に固定されていることを必ず確認して下さい。
- 2- 前輪を取り外す場合は、前輪の解除ボタンを押しながら (7)-1 取り外して下さい。(7)-2

後輪の取付・取外し方法

- 1- 後輪を車体の後脚に差し込んで下さい。(8)
！両側の後輪が確実に固定されていることを必ず確認して下さい。
- 2- 後輪を取り外す場合は、後脚に付いている解除ボタンを押して(9)-1取り外して下さい。(9)-2

ガードの取付方法

！シートベルトを必ず締めて使用して下さい。ガードだけではお子様の安全を確保できません。

- 1- ガードを車体の両側のソケットに差し込んで下さい。(10)
！ガードが確実に固定されていることを必ず確認して下さい。
- 2- ガードを取り外す場合は、ソケットから出ているピンを押しながら (11)-1 取り外して下さい。(11)-2

確認事項

- 車体フレームは確実に開いて固定されていますか？
- 座席は確実に取り付けられていますか？
- 前輪・後輪は確実に取り付けられていますか？
- ガードは確実に取り付けられていますか？

使用方法

シートベルトの使用法

- 1- 股ベルトから腰ベルトを取り外す場合は、股ベルトの解除ボタンを押して下さい。(12)
 - 2- 取り付けの場合は、腰ベルトを肩ベルトに通して下さい。(13)
 - 3- 腰ベルトを股ベルトに差し込んで下さい。(14)
 - 4- 肩ベルト、股ベルトの長さを調節する場合は、アジャスターで調節して下さい。(15)-1、2
 - 5- 肩ベルトの上部のアジャスターでも長さを調節することができます。(16)
- ！ 落下や滑り落ちを回避するために必ずシートベルトを締めて下さい。お子様とシートベルトの間に指一本が入る余裕を持たせて下さい。また肩ベルトを交差して腰ベルトに差し込まないようにして下さい。

ホロの使用法

- 1- ホロを開き、先端のバイザーを開くことができます。(17)
- 2- ホロのジッパーを開くとさらに開くことができます。(18)
- 3- ホロ上部にあるカバーをめくりますとホロ窓が出てきます。(19)

リクライニング方法

背もたれの角度は4段階に調節することができます。

- 1- 背もたれ後部にあるリクライニングレバーを起こし(20)-1 背もたれの角度を調節して下さい。(20)-2
- ！ リクライニングレバーの中心にある折畳みボタンは、折畳み方法で使用しますので、背もたれのリクライニング時には押さないで下さい。(20)-3

フットサポートの使用法

フットサポートの角度は2段階に調節することができます。

- 1- フットサポートを上げる場合は手で持って上げて下さい。
- 2- フットサポートを下げる場合は、両側にあるリクライニングボタンを押して(21)-1 下げて下さい。(21)-2

ハンドルの高さ調節方法

ハンドルの高さは5段階に調節することができます。

- 1- ハンドル両側についている高さ調節レバーを上げながら、(22)-1 ハンドルの高さを調節して下さい。(22)-2

後輪ストッパーの使用法

- 1- 後輪ストッパーを下げると後輪がロックします。(23)
 - 2- 後輪ストッパーを上げるとロックが解除します。(24)
- ！ ベビーカーを停止する場合は必ず後輪ストッパーをロックして下さい。後輪ストッパーが確実に掛かっていることを必ず確認して下さい。

前輪ストッパーの使用方法

凹凸のある表面では、前輪ストッパーを上げて使用することをお勧めします。

- 1- 前輪ストッパーを上げると前輪の進行方向が固定されます。(25)
- 2- 前輪ストッパーを下げると前輪は360° キャスター回転します。(26)

折畳み方法

ベビーカーは座席の向きが背面/対面どちらでも折畳むことができます。また、車体フレームのみでも折畳むことができます。ベビーカーを折畳む前にハンドルを最も低い状態にして前輪ストッパーを解除して下さい。

- 1- ホロを折り畳んで下さい。(27)
- 2- 背もたれ後部にあるリクライニングレバーの折畳みボタンを押しながら (28)-1 リクライニングレバーを起こして下さい。(28)-2
- 3- 座席を折り畳んで下さい。(29)
- 4- 座席の裏側に付いている折畳みベルトを持ち上げて折り畳んで下さい。(30) (31)
- 5- 車体フレームのみの場合は、車体の内側にある解除ボタンを押して下さい。(32)
- 6- 車体フレームを折り畳んで下さい。(33)

インナークッションの取付方法

- 1- インナークッションを座席に置き、シートベルトをインナークッションに通して下さい。(34)
- 2- インナークッションのテープバンドを座席の上部に固定して下さい。(35)

付属品について

アダプターの使用方法

別売りのPIPAシリーズのベビーシートをアダプターに取り付けることができますので、ベビーシートの取扱説明書を必ず参照して下さい。

- 1- 車体フレームにアダプターを取り付けて下さい。確実に固定されていることを必ず確認して下さい。(36) (37)
 - 2- アダプターにベビーシートを取り付けて下さい。ベビーシートが確実に固定されていることを必ず確認して下さい。(38)
 - 3- ベビーシートは背面/対面どちらでも取り付けることができます。(39)
 - 4- ベビーシートを取り外す場合は、ベビーシートの両側にある解除ボタンを押して (40)-1 取り外して下さい。(40)-2
 - 5- 車体フレームからアダプターを取り外す場合は、両側のアダプターに付いている解除ボタンを押して (41)-1 取り外して下さい。(41)-2
- ! 車体を折畳む場合は、ベビーシートを取り外してから行って下さい。

アダプター付での車体フレームの折畳み方法

車体フレームを折畳む前にハンドルを最も低い状態にして前輪ストッパーを解除して下さい。

- 1- 車体フレームを折畳む場合は、アダプターに付いている折畳みベルトを持ち上げて下さい。(42)

JP リングアダプターの使用方法

別売りのベビーシートをリングアダプターに取り付けることができますので、ベビーシートの取扱説明書を必ずお読み下さい。

- 1- 車体フレームにリングアダプターを取り付けて下さい。確実に固定されていることを必ず確認して下さい。(43)
 - 2- リングアダプターにベビーシートを取り付けて下さい。ベビーシートが確実に固定されていることを必ず確認して下さい。(44)
 - 3- ベビーシートは背面/対面どちらでも取り付けることができます。(45)
 - 4- ベビーシートを取り外す場合は、リングアダプターの解除ボタンを押し(46)-1 ベビーシートの後部にある解除レバーを押し(46)-2 取り外して下さい。(46)-3
 - 5- 車体フレームからリングアダプターを取り外す場合は、両側のリングアダプターに付いている解除ボタンを押し(47)-1 取り外して下さい。(47)-2
- ! 車体を折畳む場合は、ベビーシートを取り外してから行って下さい。

リングアダプター付での車体フレームの折畳み方法

車体フレームを折畳む前にハンドルを最も低い状態にして前輪ストッパーを解除して下さい。

- 1- 車体フレームを折畳む場合は、リングアダプターに付いている折畳みベルトを持ち上げて下さい。(48)

レインカバーの使用方法

レインカバーを取り付ける前にベビーカーのホロが開いていることを必ず確認して下さい。

- 1- レインカバーをベビーカーにかぶせて下さい。(49)
- ! レインカバーを取り付けて使用する場合は、レインカバー内の温度に注意し、適度に換気して下さい。
- ! レインカバーを折畳む場合は、レインカバーが乾燥していることを確認してから行って下さい。
- ! ベビーカーにレインカバーが付いた状態では折り畳まないで下さい。
- ! 暑い天候化ではレインカバーをを取り付けた状態でベビーカーにお子様を絶対に乗せないで下さい。

ソフトグッズの取付・取外し方法

ホロの取り外し方法

- 1- 背もたれ両側の解除部を押しながら(50)-1 ホロの両端を取り外して下さい。(50)-2
- 2- ホロ全体を取り外して下さい。(51)

ガードの取り外し方法

- 1- 車体フレーム両側のソケットのピンを押しながら (52)-2 ガードを取り外して下さい。(52)-1

シートの取外し方法

- 1- 背もたれ後部にあるジッパーを開いて下さい。(53)
 - 2- シートの座面裏側にあるボタンバンドを外して下さい。(54) (55)
 - 3- シートベルトを取り外して肩ベルトカバー、股ベルトカバーを取り外して下さい。(56) (57) (58)
 - 4- シートから股ベルトを抜き取って下さい。(59)
 - 5- 背もたれ後部から出ているフック4カ所、ゴムバンド2カ所をシートから外して下さい。(60)
 - 6- シートの内側にあるボタンバンドを背もたれから取り外して下さい。(61)
 - 7- シートをリクライニングレバーから外して下さい。(62)
 - 8- シートを取り外して下さい。(63)
- ！ シートを取り付ける場合は逆の手順で行って下さい。

クリーニング・お手入れ方法

- ・フレーム、プラスチック部品の汚れは湿った布等で拭き取って下さい。漂白剤は使用しないで下さい。
- ・シリコン潤滑剤は汚れを引き付けますので使用しないで下さい。
- ・湿った場所にベビーカーを保管しないで下さい。
- ・ベビーカーの車輪は水等で定期的に掃除するようにして下さい。
- ・長期間の使用を保証するために、雨天で使用した後は、柔らかい吸収性の布等でベビーカーを拭き取って下さい。洗濯および乾燥の手順については、ソフトグッズに付いている洗濯表示タグを参照して下さい。
- ・ベビーカーは使用しますと日光に照らされ続けることで布地が摩耗したり、裂けたりする場合があります。
- ・安全上の理由から、メーカーが承認または提供された部品のみを使用して下さい。
- ・すべてが正常に機能するかどうかを定期的に確認して下さい。部品が破れたり、破損したり、または紛失した場合は、この製品の使用を中止して下さい。

请妥善保存本说明书 以备不时之需!

使用产品前请仔细阅读本说明书，并妥善保存以供日后参照。不依照本说明书的指示操作，可能会影响到您宝宝的安全。

目录

产品资讯	405
保修与售后服务	
保修条件	
联络我们	
适用年龄	406
警告	407
产品组件及各部位名称	411
安装手推车	413
产品使用	415
使用配件	418
拆卸及组装布料部件	420
维护与保养	420

产品资讯

产品名称： _____

生产日期： _____

保修与售后服务

产品于保修期间内发生问题，请与零售商联络；若零售商无法提供服务，他们会联络当地的Nuna经销商。请留意产品车架上下方的产品型号与生产日期序号。当有保修需求时，请提供以上产品信息。请至www.nunababy.com/register-gear网站登记您购买的产品。

保修条件

保修始于产品购买日。我们提供维修服务，但不提供产品退换，即使某些零件曾经过维修，也不会因此延长保修期限。Nuna有权利针对产品改善设计，是此先前制造的产品则无更换之义务。相关保修信息，详见官网：www.nunababy.com/warranty

联络我们

我们期望不断改进并开发新的产品，请随时告知您对Nuna产品的意见和建议。

info@nunababy.com
www.nunababy.com

製造商： NUNA International B.V.

地 址： Van der Valk Boumanweg 178 C
2352JD Leiderdorp
The Netherlands

產品名稱： TRIV手推車

產品型號： ST12002SAPCH, ST12002FRTCH,
ST12002CVRCH

主要材質： 塑膠、鋁合金/五金、布

執行標準： GB 14748-2006 《兒童推車安全要求》

產 地： 中国

生产企業： 明門（中国）幼童用品有限公司

地 址： 广东省东莞市清溪镇银湖工业區

中国地区总经销：凯知乐贸易（天津）有限公司

地 址： 天津自贸试验区（中心商务区）
燕赵大厦 1-804, 300452

电 话： 022-59890762

客服电话： 400-666-0575

适用年龄

宝宝需要满足下列要求：

重量：新生兒-22公斤

年龄：0-48个月

当与Nuna婴儿提篮搭配使用，适用范围请参见该产品说明书。

警告

Nuna TRIV 手推车拥有专利并符合国家安全标准GB 14748 - 2006《儿童推车安全要求》和欧盟安全标准EN 1888-2:2018 相关规范。

重要：请务必依照产品说明书和警告以避免导致严重伤害甚至是死亡事件发生。

- ！ 嬰幼兒的安全是你的責任。
- ！ 宝宝乘坐，看护人不要离开。
- ！ 本產品須由成人進行組裝。
- ！ 为避免手指夹伤问题，收合及展开手推车时，请务必小心。
- ！ 宝宝乘坐时，安全带或束缚系统必须正确的扣合及使用。
- ！ 使用前，请确保睡箱、座椅、或汽座提篮等装置正确安装。
- ！ 请勿允许您的宝宝将手推车当玩具玩耍。
- ！ 使用前，请确保所有锁定装置都已处于锁定状态。
- ！ 本产品不适用于跑步和滑冰。
- ！ 打开或收合手推车時，宝宝须远离手推车的活动部件。
- ！ 请使用Nuna原厂零配件。
- ！ 停止车台时，手推车务必确实使用制动装置。
- ！ Nuna不保修使用其它厂商提供的零配件所造成的损害。

- ！ 任何附载于车手上的重量将影响产品的稳定性，可能造成手推婴儿车翻覆的危险。
- ！ 一次仅能乘坐一位宝宝，且请勿设置任何此说明书未允许使用的产品或配件于手推车上，以避免影响手推车的稳定性。
- ！ 使用时请远离火源、高温、水池或电源之附近范围。
- ！ 请勿在遮阳篷上放置任何物品。
- ！ 请勿将产品放置潮湿的环境中。请自然风干手推车上的布料，并避免使用直接热源烘干。
- ！ 请勿将宝宝放到置物篮内。
- ！ 如果有任何零件损坏，磨破或丢失，请停止使用该产品。
- ！ 需连接底座使用的汽座，无法代替床使用。
- ！ 当宝宝需睡眠时，请将之放置于合适的睡箱、或婴儿床。
- ！ 不建议单独使用小座垫B
- ！ 为避免窒息危险，请将小零件存放到宝宝接触不到的地方。
- ！ 请注意在粗糙地面使用时，反复冲击会损坏车。
- ！ 不可让宝宝站立。
- ！ 产品一次仅能乘坐一位宝宝。
- ！ 禁止在上下楼梯／手扶梯时使用手推车。

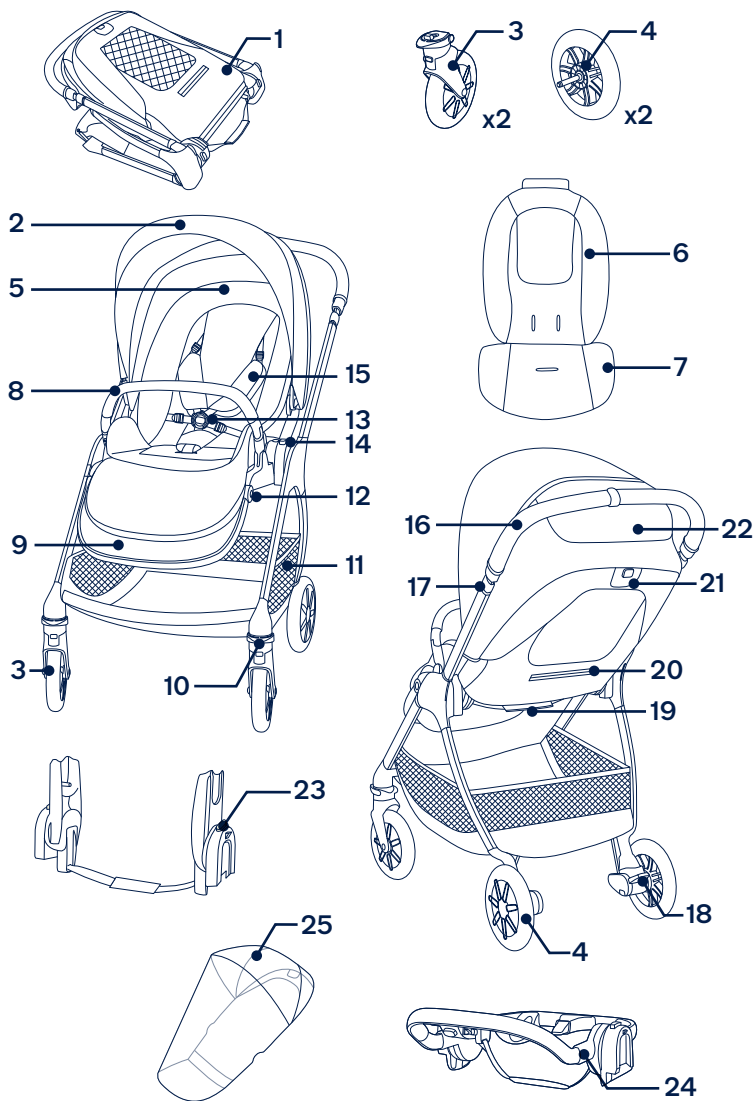
- ! 安全带或束缚系统必须正确的扣合及使用。且安全带与束缚系统的使用，不能取代成人的看护。
- ! 将宝宝放入或抱出手推车时，务必确认刹车已处于锁定状态。
- ! 让您的孩子接近手推车前，请务必确认手推车及各部件已开启、安装到位。
- ! 超载、不正确的收合、使用非经核准的零配件都可能造成手推车损坏、故障或不安全，请务必阅读说明书。
- ! 轮胎可能会在某些表面留下黑色痕迹，特别是光滑的表面，像木地板、合层板和亚麻油地板。
- ! 请勿将任何绳索或索带类物件悬挂于宝宝颈部附近，或扣在产品及其玩具上，以免导致宝宝意外窒息。
- ! 使用手推车之前，请务必去掉、销毁或是将所有附加包装远离宝宝，以免导致宝宝窒息。
- ! 请勿摆放超过**4.5公斤**的物件于置物篮、**0.45公斤**的物件于置物口袋内以免导致手推婴儿车不稳定而产生危险。
- ! 乘载超过**22公斤**的重量，将会导致手推车的重度磨损以及过重的负荷。
- ! **6个月以下**宝宝使用时，必须使用最斜躺位置。

产品组件及各部位名称

组装前请确认所有部件已经齐全。

如有遗漏，请与销售商联系。本产品无需工具进行组装。

- | | |
|-----------------|--------------------------|
| 1 手推车架 | 14 座椅卡合按钮 |
| 2 使用遮阳篷 | 15 肩带护片 |
| 3 前轮(x2) | 16 车手 |
| 4 后轮(x2) | 17 车手调整按钮 |
| 5 座垫 | 18 刹车踏板 |
| 6 小座垫A | 19 收合织带 |
| 7 小座垫B(不建议单独使用) | 20 置物口袋
(最大载重=0.45公斤) |
| 8 扶手 | 21 背靠调整按钮/座椅收合钮 |
| 9 小腿靠 | 22 天窗 |
| 10 前轮定向锁 | 23 汽车椅&睡箱卡座 |
| 11 置物篮 | 24 汽车椅卡座 |
| 12 小腿靠调整钮 | 25 雨篷 |
| 13 安全扣 | |



安装手推车

打开手推车

- 1- 取出手推车架(1)。
- 2- 向上拉起车手以打开手推车架(2)。
- 3- 将座椅打开(3)，听到“咔哒”声表示座椅已完全打开。使用手推车前请务必确保车架已打开到位。

座椅换向

座椅可随使用需求换向

- 1- 按下座椅两侧释锁钮(4)-1并提起座椅(4)-2。
- 2- 将座椅换向后接合于车架(5)，听到“咔哒”声表示座椅已完成接合。

安装前轮

- 1- 将前轮套入前脚(6)，听到“咔哒”声表示前轮已安装到位。
往外轻拉，确定前轮已完全安装。另一边亦同。
- 2- 按压前轮释锁按钮(7)-1，同时向下拉(7)-2，即可拔出前轮。

安装后轮

- 1- 将后轮套入后脚，听到“咔哒”声表示后轮已安装到位(8)。
往外轻拉，确定后轮已完全安装。另一边亦同。
- 2- 按压后轮释锁按钮(9)-1，同时向外拉(9)-2，即可移除后轮。

安装扶手

! 宝宝乘坐时必须系上安全带，扶手并不能确保宝宝的安全。

- 1- 将扶手卡槽对准扶手座插入，听到“咔哒”声表示扶手已安装完成(10)。
- 2- 按压扶手两侧释锁按钮(11)-1，两侧同时向外拉即可拆卸扶手(11)-2。

检查

- 手推车架已完全展开
- 车椅已确实安装于车架上
- 前、后轮已确实安装
- 扶手已确实安装

产品使用

使用安全扣

- 1- 按下母扣中央的按钮，松开安全扣后将宝宝放入手推车(12)。
- 2- 将肩带扣环及腰部扣环结合(13)。
- 3- 将结合好的扣环与胯带母扣扣合，另一边亦同(14)。
- 4- 滑动调整扣(在肩带护片下方)调整织带长度(15)-1，拉紧腰部织带(15)-2，使宝宝更加舒适。

调整肩带位置

- 1- 肩带固定栓可上下滑动调整至适当位置(16)

！ 为避免宝宝滑出手推车而导致的严重伤害，请随时使用安全带。

请确保安全带已适当调整，宝宝与安全带间的空隙约为一只手指宽。

请勿交叉肩带以免造成孩童颈部压力。

使用遮阳篷

- 1- 打开遮阳篷，请将遮阳篷推向前方。折迭遮阳篷，请将遮阳篷拉向后方(17)。
- 2- 遮阳篷中段拉链可打开以延伸遮阳篷范围(18)。
- 3- 遮阳篷天窗可打开增加透气性(19)。

调整背靠

背靠可4段角度调节

- 1- 调高或调低背靠角度，请按压背靠调整按钮(20)-1，向上或向下调整至所需的背靠角度(20)-2。

！ 调整背靠高度时，请勿按压(20)-3位于背靠调整按钮中央的按钮
请确保使用合适的背靠角度

调整小腿靠

小腿靠共有两种角度可供调节

- 1- 段位调高时，将小腿靠支撑板由下往上推即可。
- 2- 段位调低时，按压小腿靠两侧的调整按钮(21)-1，同时向下调节小腿靠支撑板(21)-2。

调整车手

车手共有5种段位可供使用。

- 1- 按压车手两侧的调整按钮(22)-1，同时向上或向下拉车手至适合段位(22)-2。

使用刹车

- 1- 踩下刹车踏板即可完成刹车动作(23)。
 - 2- 抬起刹车踏板即可完成释锁动作(24)。
- ！ 手推车停止时，请刹车。
轻轻推动推车以确保刹车装置已启动。

前轮定向

在碎石路面或不平路面推行时，建议锁定前轮，便能更轻松地操控手推车。

- 1- 锁定时，向上拉可定向，向下推可释锁(25)。
- 2- 释锁时，推进定向拉板即可(26)。

收合手推车

此手推车在座椅前向或后向时皆可收合。收合手推车前，请先将车手调整至最低段位，并确保前轮定位锁未锁上。

- 1- 收拢遮阳篷(27)。
 - 2- 按压背靠调整钮中间的座椅收合钮(28)-1，并按压背靠调整钮(28)-2。
 - 3- 折叠座椅(29)
 - 4- 拉起收合织带以收合推车。(30)
 - 5- 座椅前向时推车收合后可自行以轮子站立。座椅后向时推车收合后可以车手及后轮站立(31)。
 - 6- 按压椅座的收合钮(32)。
 - 7- 收合推车(33)。
- ！ 无安装座椅的手推车可以车手及后轮站立。

小座垫

- 1- 欲安装座垫，按压安全扣中间按钮，打开安全扣，将扣具穿过座垫(34)。
- 2- 固定座垫上方与推车连接的黏扣带(35)。

使用配件

！ 中国地区无贩卖睡箱。

汽车椅&睡箱卡座

当与Nuna婴儿提篮或TRIV睡箱配合使用时，组装及使用方式请参照该产品说明书。

- 1- 安装汽车椅&睡箱卡座，放置卡座于座椅底座上。听到“咔哒”声表示卡座已安装完成(36)(37)。
- 2- 安装汽车椅，放置于卡座上，听到“咔哒”声表示已卡合到位(38)。
- 3- 安装睡箱，放置于卡座上，听到“咔哒”声表示已卡合到位(39)。
- 4- 汽座椅与卡座可前向或后向安装(40)。
- 5- 睡箱与卡座可前向或后向安装(41)。
- 6- 移除汽车椅，按压汽车椅释锁(42)-1，同时向上提起汽车椅即可(42)-2。
- 7- 移除睡箱，按压睡箱两侧释锁(43)-1，同时向上提起睡箱即可(43)-2。
- 8- 移除汽车椅&睡箱卡座，按压卡座的释锁钮(44)-1，并向上提起汽车椅卡座(44)-2。

！ 收合手推车前请移除汽车椅与睡箱。

使用汽车椅&睡箱卡座的收合方式

收合手推车前，将车手调整至最低段位，并确保前轮定向所未锁上

- 1- 拉起汽车椅&睡箱卡座上的收合织带以收合收推车(45)。

！ 使用汽车椅卡座的推车可以车手及后轮站立

汽车椅卡座

当与Nuna 婴儿提篮或TRIV睡箱配合使用方式时，组装及使用请参照该产品说明书。

- 1- 安装汽车椅卡座于座椅底座上(46)，听到“咔哒”声表示已安装到位
- 2- 安装汽车椅，放置汽车椅于卡座上，听到“咔哒”声表示汽车椅卡合到位(47)。
- 3- 汽座椅与汽车椅卡座可前向或后向安装(48)。
- 4- 移除汽车椅，按压汽车椅卡座的第二道安全锁(49)-1，接着按下汽车椅背面的释锁按钮(49)-2，同时向上提起汽车椅即可(49)-3。
- 5- 移除汽车椅卡座，按压卡座的释锁钮(50)-1，并向上提起汽车椅卡座(50)-2。收合手推车前请移除汽车椅。

使用汽车椅卡座的收合方式

收合手推车前，将车手调整至最低段位，并确保前轮定向所未锁上

- 1- 拉起汽车椅卡座上的收合织带以收合收推车(51)。

！ 使用汽车椅卡座的推车可以车手及后轮站立

TRIV座椅雨篷

安装雨篷前，请确认雨篷已完全展开。

- 1- 将雨篷套到座椅上。(52)

！ 使用雨篷时，请随时注意并确认雨篷内有良好的通风。

不使用雨篷时，请先确认雨篷已清洁并干燥，再收纳。

请勿收合已罩上雨篷的手推车。

天气炎热时，请勿将宝宝放在装有雨篷的手推车内。

拆卸及组装布料部件

拆除座布请参照说明书(53)-(66)，若需组装座布，请反向操作上述步骤。

维护与保养

可用湿布清洁车架和座布，请勿使用研磨剂或漂白剂。请勿使用润滑剂，因为它们会吸附灰尘和污垢。请勿将手推车储存在潮湿的地方。

请定期以水清洗轮子，并清除污垢。

为使手推车能长期使用，下雨天使用后，请用软质可吸水的布擦拭手推车。

请参考手推车上洗涤标的洗涤方式。

长期使用之后，在正常状况下，座布可能产生褪色、磨损或撕裂。

为确保安全，请使用Nuna原厂零配件。

请定期检查您的手推车功能是否正常与零件是否松弛磨损或脱落。一旦发生以上任何状况，请立即停止使用本手推车。