

nuna®



pipa™ series

car seat adapter for BOB® single strollers*

*2016 and newer models

Designed
around your life

nuna®

IMPORTANT!
KEEP THESE
INSTRUCTIONS FOR
FUTURE REFERENCE!
READ CAREFULLY

Contents

Product Information

Product Registration 4

Warranty 4

Contact 4

Warnings 5

Product Use 6

Cleaning and Maintenance 8

Product Information

Model Number: _____

Manufactured in (date): _____

Product Registration

Please fill in the above information. The model number and the manufactured in date are located on a label on the adapter. Fill out the prepaid registration postcard attached to the product and mail it today.

To register your product please visit:

www.nunababy.com

Click on the “Register Gear” link on the homepage.

Warranty

We have purposely designed our high-quality products so that they can grow with both your child and your family. Because we stand by our product, our gear is covered by a custom warranty per product, starting from the day it was purchased. Please have the proof of purchase, model number and manufactured in date available when you contact us.

For warranty information please visit:

www.nunababy.com/warranty

Contact

For replacement parts, service, or additional warranty questions, please contact our customer service department

infousa@nunababy.com

www.nunababy.com

1.855.NUNA.USA

WARNING

Failure to follow these warnings and instructions could result in serious injury or death.

Use this car seat adapter with a Nuna PIPA series infant car seat in combination with a BOB® single stroller 2016 and newer models only.

Read all instructions for the PIPA series infant car seat and the BOB® stroller* before use of this adapter.

Check that the adapter and the infant carrier are installed correctly and securely latched before every use.

ALWAYS make sure the child is properly harnessed in the infant carrier.

NEVER leave your child unattended.

DO NOT exceed the maximum weight limit specified for the infant carrier.

DO NOT move the stroller and infant carrier assembly by the handle of the infant carrier.

DO NOT place any accessories on the stroller handle when using the adapter with the infant carrier, as the stroller may become unstable.

The adapter interface may present a pinching hazard. Ensure all fingers and appendages are clear of the adapter when attaching the infant carrier.

*2016 and newer models only of BOB® single strollers

Product Use

*infant carrier not included

- 1 - Assemble the parts of adaptor together (1).
- 2 - Listen for a “click” to ensure it is locked (2).
- 3 - To attach the adapter to the BOB® stroller*, slide the adapter into the receiver sockets with the red lines facing up.

The adapter is locked when you hear a “click” sound and no longer see the red lines.

⚠ Pull out on the adapter to check that it is securely locked to the stroller.

- 4 - To attach the infant carrier, place the infant carrier onto the adapter and press down.

Listen for a “click” to ensure it is locked.

⚠ Pull up on the infant carrier to check that it is securely locked to the adapter.

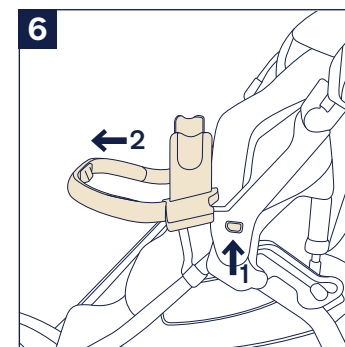
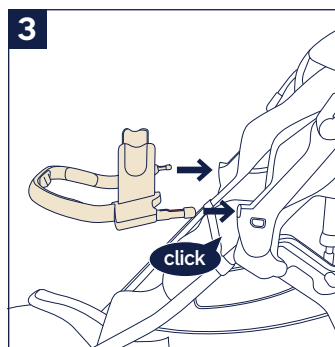
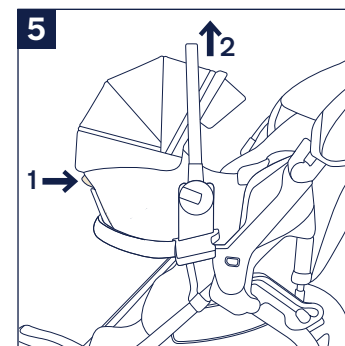
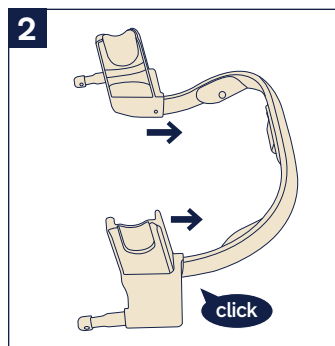
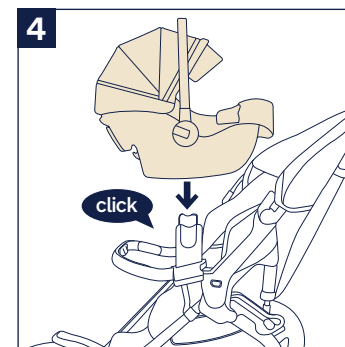
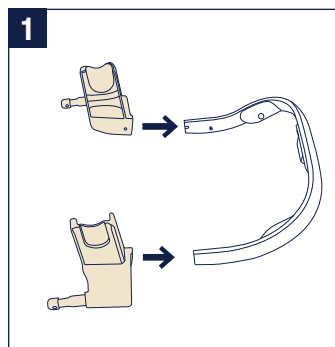
- 5 - To release the infant carrier, press the release button (1) located on the back of the infant carrier, and pull the infant carrier up (2).

- 6 - To remove the adapter, press the release buttons on both sides of the stroller frame (1) and then slide the adapter out (2).

⚠ If you have any problems related to using the BOB® stroller*, refer to its instruction manual.

Remove the infant carrier before folding.

*2016 and newer models only of BOB® single strollers



Cleaning and Maintenance

Clean the adapter with a damp cloth and a mild detergent and dry thoroughly. Do not use abrasives.

Check regularly if everything functions properly. If any parts are broken or missing, stop using this product.

Tested, endorsed and manufactured by Nuna. Not affiliated, licensed, authorized or endorsed by BOB® Gear by Britax®. BOB® Gear trademarks are owned by Britax® Child Safety, Inc. and its respective holders.



Nuna Baby Essentials, Inc.

70 Thousand Oaks Blvd. | Morgantown, PA 19543

1.855.NUNA.USA | nunababy.com