

pipa™ lite rx footmuff



nuna®



Thank **you!**

You've just purchased a Nuna product, and you can be sure that your child is getting the best there is. Our products are expertly engineered for safety, with luxury fabrics and sophisticated style. Whatever made you fall in love with Nuna, rest assured your adventures with your little one will be easier from now on, freeing you to enjoy more happy family moments together.

nuna[®]

IMPORTANT!
KEEP THESE
INSTRUCTIONS FOR
FUTURE REFERENCE!
READ CAREFULLY

Contents

Product Information	4
Contact	4
Warnings	4
Parts List	5
Product Setup	6
Product Use	6
Cleaning and Maintenance	8

Product Information

Model Number: _____

Manufactured in (date): _____

Warranty

We have purposely designed our high-quality products so that they can grow with both your child and your family. Because we stand by our product, our gear is covered by a custom warranty per product, starting from the day it was purchased. Please have the proof of purchase, model number and manufactured in date available when you contact us.

For warranty information, please visit:

www.nunababy.com/warranty

Contact

For replacement parts, service, or additional questions, please contact our customer service department.

infousa@nunababy.com

nunababy.com

1.855.NUNA.USA

⚠️ WARNING

Failure to follow these warnings and instructions could result in death or serious injury.

Use this footmuff **ONLY** with a Nuna PIPA lite rx infant carrier.

DO NOT entirely cover child. Keep child's face uncovered. Allow room for ventilation.

MAKE SURE the footmuff does not interfere with belt routing/installation when used inside a vehicle.

Check that the footmuff magnet connection is secure by pulling up gently on the footmuff.

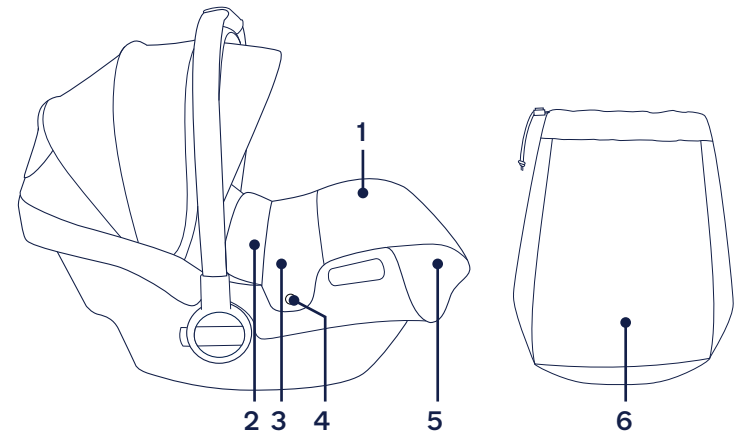
A child's safety is your responsibility. Always provide the supervision necessary for the continued safety of your child. Never leave your child unattended.

Do not use if any part of the footmuff is broken, torn, or missing.

Parts List

Make sure all parts are available before assembly. If any part is missing, please contact Nuna (see page 4 for information). No tools are required for assembly.

- | | | | |
|---|------------------|---|---------------|
| 1 | Footmuff | 4 | Side Magnet |
| 2 | Top Panel | 5 | Corner Magnet |
| 3 | Top Panel Pocket | 6 | Storage Bag |

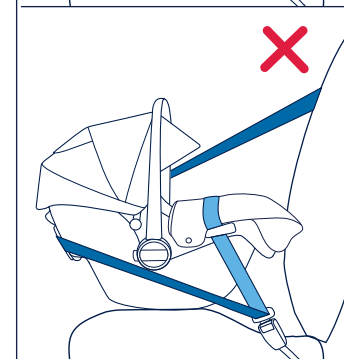
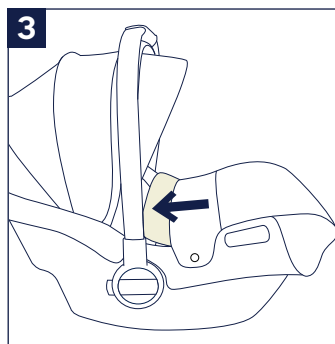
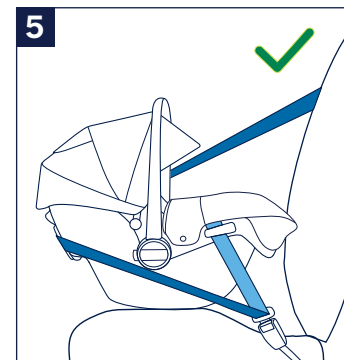
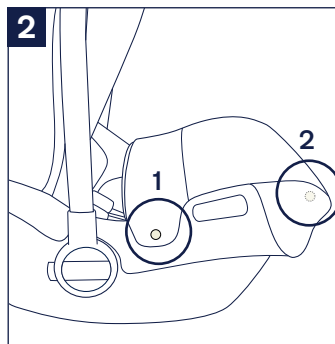
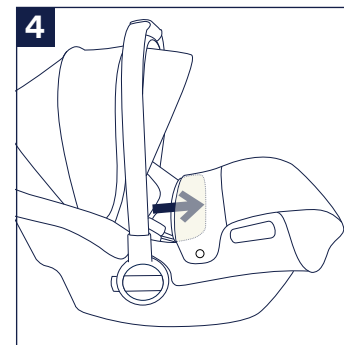
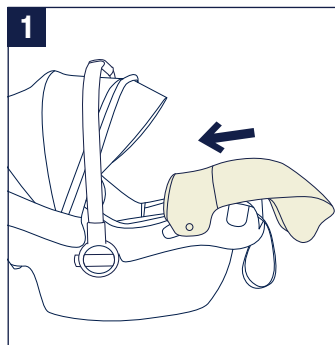


Product Setup

- 1 - Pull footmuff over front end of infant carrier.
- 2 - Align side magnets (1) and corner magnets (2) inside footmuff fabric with magnets inside infant carrier fabric.

Product Use

- 3 - For more coverage over your child, pull out top panel from inside top panel pocket.
- ⚠ DO NOT** use top panel if it covers child's face. Outer edge of top panel should be at or below child's shoulder level.
- 4 - When not using top panel, tuck top panel inside top panel pocket.
 - 5 - When using footmuff inside vehicle, follow PIPA lite rx infant car seat instructions for installation.
- ⚠ MAKE SURE** footmuff does not interfere with belt routing/installation.



Cleaning and Maintenance

Refer to the care label attached to the soft goods for washing and drying instructions.

It is normal for fabric to color from sunlight and to show wear and tear after a long period of use, even when used normally.

Check regularly if everything functions properly.

If any parts are torn, broken, or missing, stop using this product.