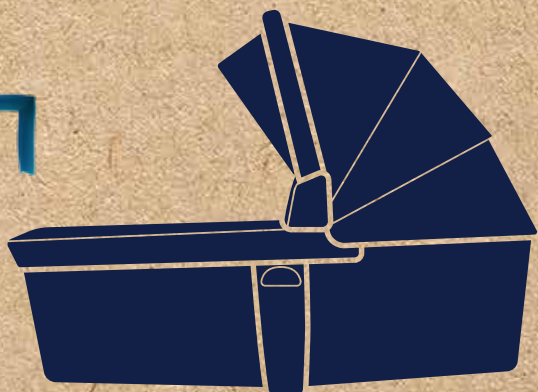


mixx™ series bassinet



nuna®

Designed
around your life



**IMPORTANT!
KEEP THESE
INSTRUCTIONS FOR
FUTURE REFERENCE:**
*READ ALL INSTRUCTIONS
CAREFULLY BEFORE
ASSEMBLY AND USE
OF THE BASSINET.*

Contents

Product Information

Product Registration	4
Warranty	4
Contact	4

Child Usage Requirements

5

Warnings

6–8

Parts List

9

Product Set Up

10

Product Use

18

Cleaning and Maintenance

20

Product Information

Model Number: _____

Manufactured in (date): _____

Product Registration

Please fill in the above information. The model number and the manufactured in date are located on the mattress board inside the bassinet, under the soft goods. Fill out the prepaid registration postcard attached to the product and mail it today.

To register your product please visit:

www.nunababy.com

Click on the “Register Gear” link on the homepage.

Warranty

We have purposely designed our high-quality products so that they can grow with both your child and your family. Because we stand by our product, our gear is covered by a custom warranty per product, starting from the day it was purchased. Please have the proof of purchase, model number and manufactured in date available when you contact us.

For warranty information please visit:

www.nunababy.com/warranty

Contact

For replacement parts, service, or additional warranty questions, please contact our customer service department.

infousa@nunababy.com

www.nunababy.com

1.855.NUNA.USA

Child Usage Requirements

This bassinet is suitable for use with children who meet the following requirements:

Weight: Up to 20 lb (9 kg) (birth–6 months)

Height: 27 in. (68 cm) or less

DO NOT use the bassinet when the infant begins to push up on hands and knees.

⚠️ WARNING

Failure to follow these warnings and the instructions could result in serious injury or death.

A child's safety is your responsibility.

To avoid any danger of suffocation, remove all plastic covers before using this product and destroy or keep away from babies and children!

Keep small parts away from children as they pose a choking hazard.

Discontinue using this product should it become damaged or broken.

Use original Nuna parts and accessories only.

ALWAYS allow the fabric to dry naturally away from direct heat.

DO NOT let your child play with this product.

DO NOT place any item on the canopy of this product.

DO NOT leave this product exposed in the vicinity of a strong source of heat i.e. a radiator or open fire or store this product in a damp place.

DO NOT make any changes or modifications to this product, that is not specified in this manual.

DO NOT place more than 3 lb (1.4 kg) in the accessory pocket.

NEVER carry more than one child at a time in this product.

When Using in Bassinet Mode

This bassinet is suitable for use with children who weigh up to 20 lb (9 kg) (birth–6 months) and whose height is 27 in. (68 cm) or less.

If a sheet is used with the mattress pad, use only the one provided by Nuna which is specifically designed to properly fit the dimension of the bassinet mattress pad.

To reduce the risk of SIDS, pediatricians recommend healthy infants be placed on their backs to sleep, unless otherwise advised by your physician.

Strings can cause strangulation! Do not place items with a string around a child's neck, such as hood strings or pacifier cords. Do not suspend strings over a bassinet or cradle or attach strings to toys.

FALL HAZARD To help prevent falls, do not use the bassinet when the infant begins to push up on hands and knees or has reached 20 lb (9 kg), whichever comes first.

FALL HAZARD Child's movement can slide bassinet. **NEVER** place bassinet on counter tops, tables, or any other elevated surface. Always stay within arm's reach whenever carrier is not on floor/ground.

SUFFOCATION HAZARD Bassinet can roll over on soft surfaces and suffocate child. **NEVER** place bassinet on beds, sofas, or other soft surfaces.

SUFFOCATION HAZARD

Infants have suffocated:

- In gaps between extra padding and side of the bassinet, and
- On soft bedding.

Use only the pad provided by Nuna. **NEVER** add a pillow, comforter, or another mattress for padding.

NEVER use this bassinet as a means to transport an infant in a motor vehicle.

When using the MIXX series Bassinet in Carry Cot Mode

This bassinet when used on the MIXX series stroller in carry cot mode is suitable for use with children who weigh up to 20 lb (9 kg) (birth–6 months) and whose height is 27 in. (68 cm) or less.

To prevent a hazardous or unstable condition, do not place more than 3 lb (1.4 kg) in the accessory pocket.

Negotiate curbs and rough ground carefully. Repeated impact will cause damage to this product.

Adding accessories such as purses, shopping bags, or parcels to the handle or canopy can cause the stroller to be unstable.

FALL HAZARD Always check that the bassinet is securely locked onto the MIXX series stroller by pulling up on it.

ALWAYS check that the bassinet is securely locked on the stroller by pulling up on the bassinet.

NEVER leave child in the bassinet when ascending or descending stairs or escalators.

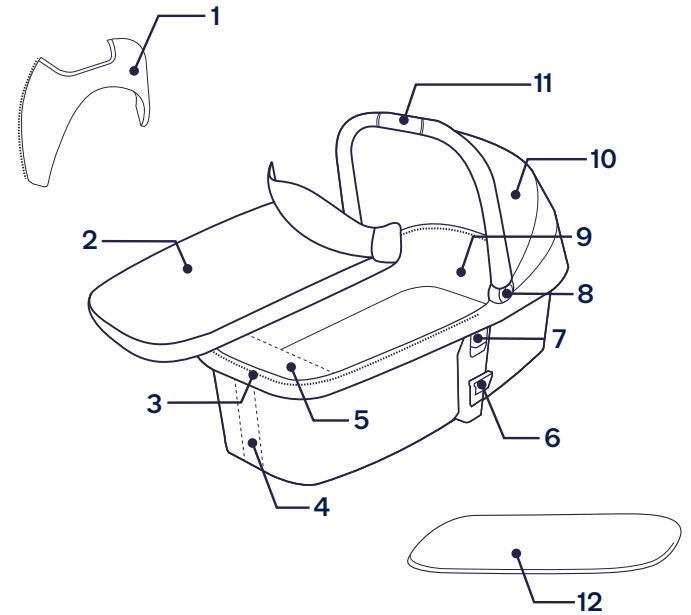
NEVER leave child unattended. Always keep your child in view while in this product.

NEVER use this bassinet as a means to transport an infant in a motor vehicle.

Parts List

Not all features are included in all models.

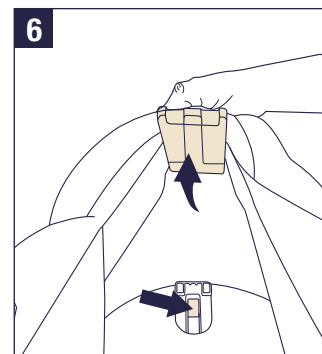
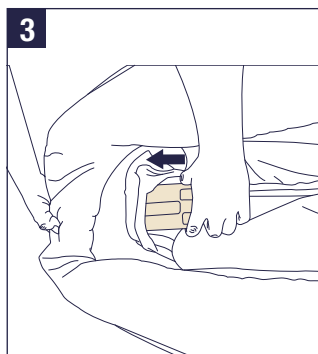
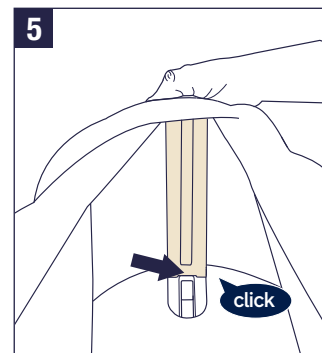
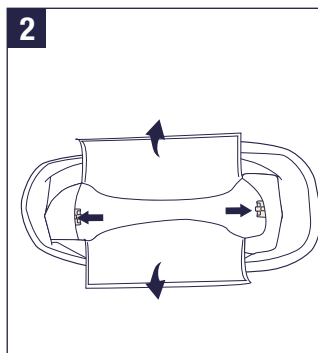
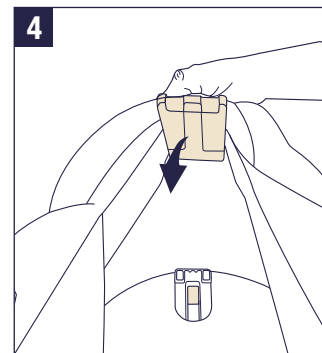
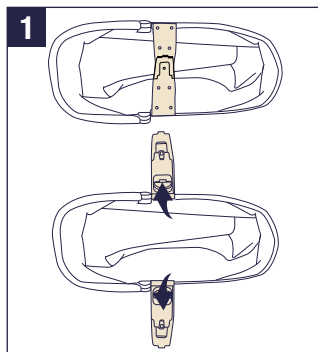
- | | | | |
|---|------------------|----|------------------------|
| 1 | Canopy Visor | 7 | Release Button |
| 2 | Cover | 8 | Canopy Fold Button |
| 3 | Bassinet | 9 | Removable Liner |
| 4 | Support Mount | 10 | Canopy |
| 5 | Accessory Pocket | 11 | Handle |
| 6 | Attachment Mount | 12 | Mattress Pad and Cover |



Product Set Up

Support Mounts

- 1 - Remove the mattress pad and rotate the attachment mounts out from the center of the bassinet.
- 2 - Unfasten the hook and loop strips and lift the fabric away from inside the bassinet to access the two support mounts, which are located under the fabric at the canopy and foot ends of the bassinet.
- 3 - Holding the top rail of the foot end, push the support mount back to raise the end of the bassinet.
- 4 - Rotate the support mount down towards the latch at the bottom of the bassinet as shown.
- 5 - Push the support mount into the latch on the bottom of bassinet until it clicks into place. Repeat on the canopy end of the bassinet.
- 6 - To fold, push button on the latch and pull support mount out.



Attachment Mounts

- 1 - Make sure the attachment mounts are outside of the bassinet.
- 2 - Rotate the attachment mounts down the side of the bassinet on both sides until they click into the latch as shown.

Make sure you hear a “click”.

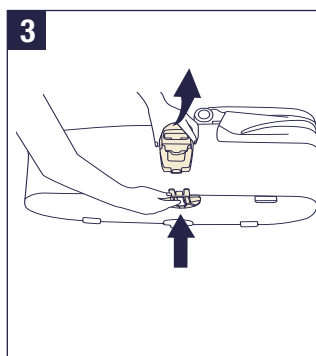
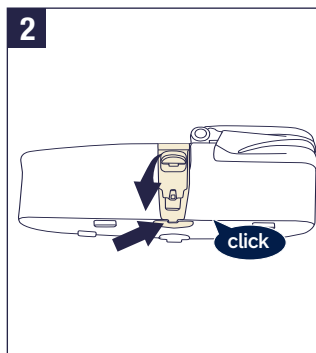
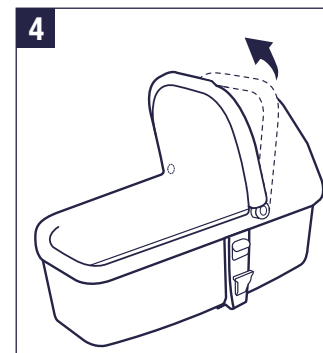
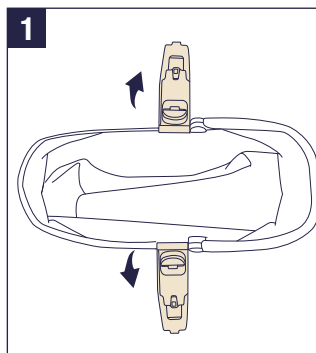
- 3 - To disassemble the bassinet, push the button on the latch on the underside of the bassinet and pull the attachment mount out.

Canopy

- 4 - To open the canopy, rotate the canopy up.
- 5 - The handle will stop in the convenience position for accessing child. To continue to open the canopy further, push the buttons on both sides of the handle and pull canopy towards the foot end of the bassinet until it clicks into the fully extended position.

Be sure handle is locked in the fully extended position before lifting the bassinet by the handle.

- 6 - To close the canopy, press the canopy folding buttons simultaneously on both sides, and rotate down.

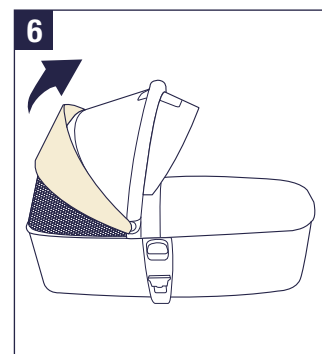
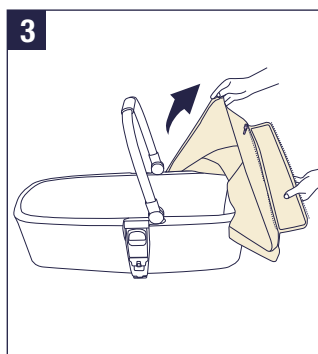
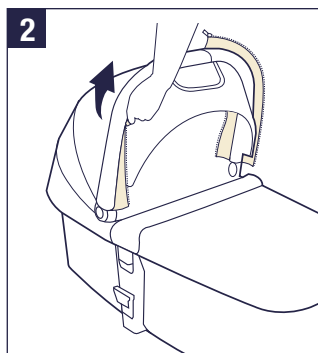
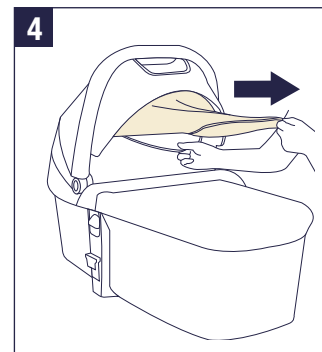
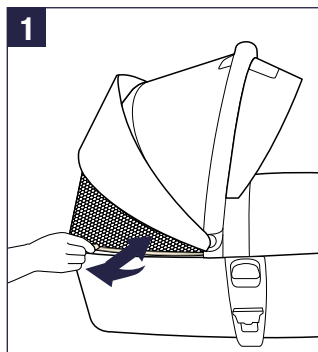


- 1 - To remove, unfasten the canopy zipper located on the bottom panel of the canopy as shown.
- 2 - Unfasten the zipper located on the inside of the canopy handle.
- 3 - Remove canopy from the bassinet.

Dream Drape™

- 4 - Pull out the dream drape from underneath the flap under the canopy as shown.
- 5 - Attach the magnets on the corners of the dream drape to the side rails of the bassinet.
- 6 - Lift up the panel on the rear of the canopy for more ventilation.

To store, tuck the dream drape back under the flap underneath the canopy.



Canopy Visor

- 1 - To attach the canopy visor, zip it to the underside of the canopy on both sides of handle.

Canopy flips in or out for added sun protection.

Unzip canopy to remove.

Mattress Pad

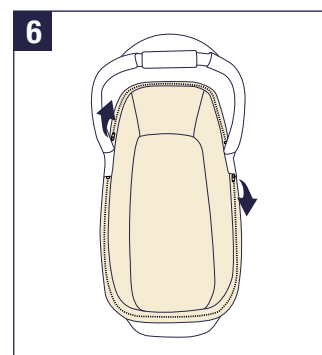
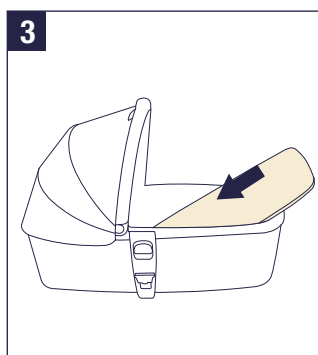
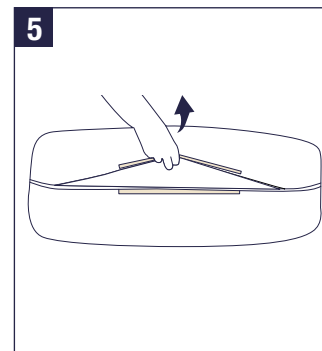
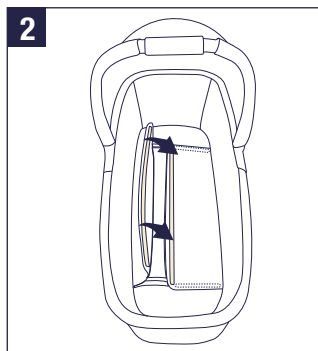
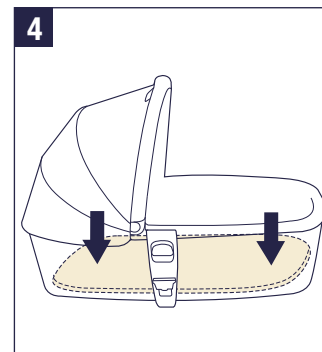
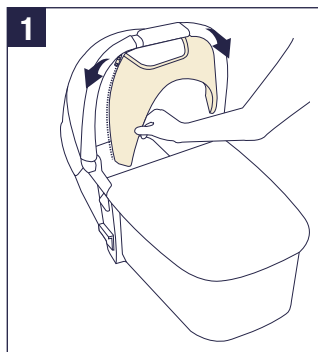
⚠ WARNING To avoid serious injury, always use the mattress pad when using the bassinet.

- 2 - **CHECK** to make sure the bottom of the bassinet fabric is securely fastened.
- 3 - Insert the mattress pad into the bassinet so that the opening seam on the mattress pad is on the bottom.
- 4 - Mattress pad should be completely flush with the bottom of the bassinet.
- 5 - To wash the mattress cover, unfasten the hook and loop strips on the bottom of the mattress pad and remove it. Machine wash. Line dry only. **DO NOT** wash the mattress pad.

Bassinet Liner

Close the canopy for easier access and remove bassinet mattress pad.

- 6 - To wash liner, unzip and remove from bassinet. Always reinstall liner before use of bassinet.



Bassinet Cover

- 1 - Place the bassinet cover on top of the bassinet so the closed section is on the foot end.
- 2 - Fasten the bassinet cover with the magnets to the sides of the bassinet and at the foot end.

Product Use

Bassinet Attachment on Stroller Frame

⚠ WARNING

The MIXX series bassinet, when used on the MIXX series stroller, can only be used as a carry cot.

Never leave child unattended.

Check to be sure carry cot is securely attached by pulling up on the carry cot.

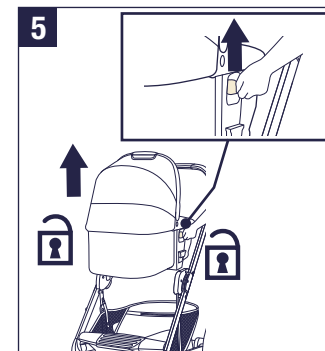
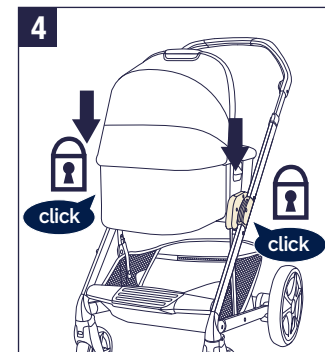
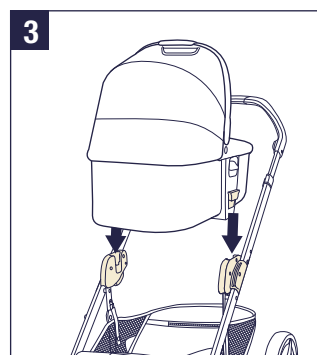
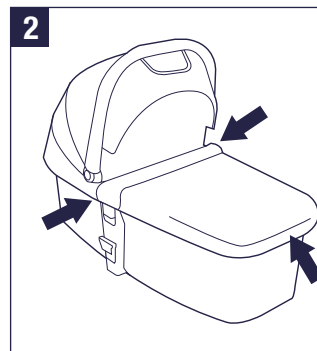
The carry cot can only be used with the MIXX series stroller.

Do not fold the stroller when the carry cot is attached.

- 3 - Line up the mounts on the side of the carry cot with the stroller mounts as shown.
- 4 - Attach to the MIXX series stroller mounts by inserting the attachment mounts onto both sides of the stroller frame until the carry cot **CLICKS** into place. **CHECK** to make sure it is securely attached by pulling up.

The carry cot can attach in a rear-facing or forward-facing mode when on the stroller frame.

- 5 - To remove the bassinet from the MIXX series stroller, press the carry cot release buttons on both sides while lifting the carry cot up.



Cleaning and Maintenance

Clean the frame, plastic parts, and fabric with a damp cloth, but do not use abrasives or bleach. Do not use silicon lubricants as they will attract dirt and grime. Do not store your stroller in a damp place.

To ensure long-lasting use, wipe this product off with a soft, absorbent cloth after using it in rainy weather and before storing away.

Refer to the care label attached to the fabric for washing and drying instructions.

It is normal for fabric to color from sunlight and to show wear and tear after a long period of use, even when used normally.

For reasons of safety, only use original Nuna parts.

Check regularly if everything functions properly. If any parts are torn, broken, or missing, stop using this product.



Nuna Baby Essentials, Inc.

70 Thousand Oaks Blvd. | Morgantown, PA 19543

1.855.NUNA.USA | nunababy.com