

mixx™ next



nuna®

IM-000865D

Designed
around your life

nuna®

**IMPORTANT!
KEEP THESE
INSTRUCTIONS FOR
FUTURE REFERENCE:
*READ CAREFULLY***

Contents

Product Information	3
Warranty	
Contact	
Child Usage Requirements	4
Warnings	5
Parts List	9
Product Set Up	11
Product Use	15
Accessories	25
Car Seat Adaptor	
MIXX Rain Cover	
MIXX Bassinet	
Cleaning and Maintenance	29

Product Information

Model Number: _____

Manufactured Date: _____

The model number and the manufactured in date are located on a label on the stroller frame.

Warranty

Our goods come with guarantees that cannot be excluded under the Australian Consumer Law. You are entitled to a replacement or refund for a major failure and compensation for any other reasonably foreseeable loss or damage. You are also entitled to have the goods repaired or replaced if the goods fail to be of acceptable quality and the failure does not amount to a major failure.

We have purposely designed our high-quality products so that they can grow with both your child and your family. Because we stand by our product, our gear is covered by a custom warranty per product, starting from the day it was purchased. Please have the proof of purchase, model number and manufactured in date available when you contact us.

For warranty information please visit:
www.nunababy.com

Contact

For replacement parts, service, or additional warranty questions, please contact our customer service department.

Distributed by Nuna Baby Australia Pty Ltd

ACN: 642 240 140

Unit 1, 35 Lyn Parade Prestons, NSW Australia 2170

For after-sales & warranty service, contact:

1800 951 070

customerservice@nunababy.com.au

Child Usage Requirements

This stroller is suitable for use with children who meet the following requirements:

Weight: up to 22.7 kg maximum

When using the stroller frame with:

MIXX series bassinet

Weight: up to 9 kg maximum

KLIK plus infant carrier

Weight: up to 13 kg maximum

Refer to the original product instruction manual for further usage requirements.

WARNING

FOLLOW THE MANUFACTURER'S INSTRUCTIONS. PUT ON ALL THE BRAKES WHENEVER YOU PARK THE PRAM/STROLLER.

DO NOT LEAVE CHILDREN UNATTENDED. ALWAYS KEEP CHILD IN VIEW WHILE IN PRAM/STROLLER.

DO NOT USE THE SEAT WITH ANY OTHER MODELS OF PRAM/STROLLER.

SECURE THE CHILD IN THE HARNESS AT ALL TIMES.

USE THIS HARNESS AT ALL TIMES.

ALWAYS USE THE CROTCH COMBINATION WITH THE WAIST BELT AND THE SHOULDER HARNESSES.

DO NOT CARRY EXTRA CHILDREN OR BAGS ON THIS PRAM/STROLLER.

MAKE SURE CHILDREN ARE CLEAR OF ANY MOVING PARTS IF YOU ADJUST THE PRAM/STROLLER. OTHERWISE THEY MAY BE INJURED.

TO AVOID SERIOUS INJURY FROM FALLING OR SLIDING OUT, ALWAYS USE SEAT BELT.

USE THIS TETHER STRAP TO STOP THE PRAM/STROLLER ROLLING AWAY.

DO NOT USE THIS BASSINET ONCE THE CHILD CAN SIT UP UNAIDED. MAXIMUM WEIGHT OF THE CHILD: 9KG.

DO NOT USE FOR UNSUPERVISED SLEEPING.

Ensure that all the locking devices are engaged before use.

Do not let your child play with this product.

Never leave the harness buckled when not fitted to a child in the stroller because the harness can form loops which may pose a strangulation hazard.

The use of accessories not approved by the vehicle manufacturer is unsafe.

Adult assembly required.

Use of this stroller with a child weighing more than 22.7 kg will cause excessive wear, and stress on the stroller, and could create an unstable condition. Use the pram/stroller with only one child at a time.

To prevent a hazardous, unstable condition, do not place more than 4.5 kg in the storage basket before use.

To prevent a hazardous, unstable condition, do not place more than 0.45 kg in the storage pocket on the back of the seat.

Overloading, folding incorrectly, or using component parts from other manufacturers may cause the pram/stroller to be damaged, broken or unsafe. Please read the instruction manual carefully.

Please read all the instructions in the manual before using the product. Please save instruction manual for future use. Failure to follow these warnings and instructions may result in serious injury or death.

Safety belts and restraint system must be used correctly.

Child may slip into leg openings and be strangled if the harness is not used.

Never use pram/stroller on stairs or escalators.

The pram/stroller is not to be used near an open fire or exposed flame.

Never allow your child to stand on the pram/stroller or sit in the pram/stroller with head toward front of pram/stroller.

Never place the pram/stroller on roads or dangerous area.

The pram/stroller is designed for use on flat or gently sloping surfaces and may be unstable on higher sloping and uneven surfaces, resulting in the possibility of the vehicle tipping over.

Do make sure all parts are assembled and fastened properly before using the pram/stroller.

To avoid strangulation, do not place items with a string around your child's neck, suspend strings from this product, or attach strings to toys.

To prevent tipping, do not put anything on the handle. Always lift the child in and out of the pram/stroller.

Do not lift pram/stroller while child is in pram/stroller.

Do not use storage basket as a child carrier.

To prevent tipping, never let child climb the pram/stroller.

To avoid finger entrapment or injury to the body, use care when folding and unfolding the pram/stroller.

Be sure the pram/stroller is fully open or folded before allowing child near the pram/stroller.

To ensure your child's safety, please make sure all parts are assembled and fastened properly before using the pram/stroller.

Check that the infant child restraint attachment device is correctly engaged before use.

To avoid strangulation, do make sure your child is clear from the canopy.

Discontinue using your pram/stroller if it is damaged or broken.

Pram/stroller to be used only at walking speed. This product is not intended for use while jogging.

To avoid suffocation, remove plastic bag and packaging materials before using this product. The plastic bag and packaging materials should then be kept away from babies and children.

This product is not suitable for running or skating.

Stroller designed to be used from birth shall recommend the use of the most reclined position for new born babies.

The parking device must be engaged when placing and removing children.

Please ensure that the storage latch has been properly locked, before lifting or moving the vehicle.

Do not use or add any mattress other than the one supplied with the bassinet.

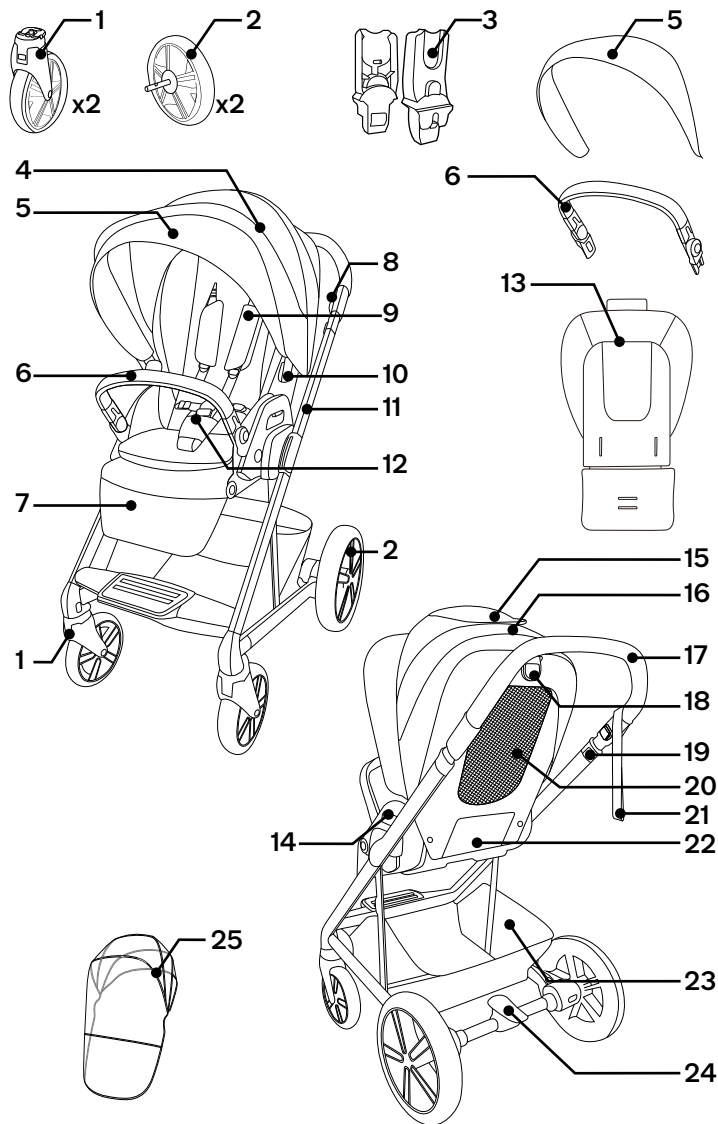
The vehicle is not to be used as an unsupervised sleeping environment.

Parts List

Make sure all parts are available before assembly.
If any part is missing, please contact Nuna. No tools are required for assembly.

! CHOKING HAZARD: Remove and immediately discard protective end caps from each wheel and wheel hub axle.

- | | |
|----------------------------|------------------------------|
| 1 Front Wheel (x2) | 14 Seat Release Button |
| 2 Rear Wheel (x2) | 15 Top Canopy Window |
| 3 Car Seat Adaptor | 16 Back Canopy Window |
| 4 Canopy | 17 Stroller Handle |
| 5 Canopy Visor | 18 Recline Adjustment Button |
| 6 Arm Bar | 19 Folding Button |
| 7 Calf Support | 20 Seat Ventilation Button |
| 8 Handle Adjustment Button | 21 Tether Strap |
| 9 Shoulder Harness Pads | 22 Storage Pocket |
| 10 Canopy Clips | 23 Storage Basket |
| 11 Stroller Frame | 24 Brake Lever |
| 12 Buckle and Crotch Cover | 25 Rain Cover |
| 13 Insert | |



Product Set Up

Open Stroller

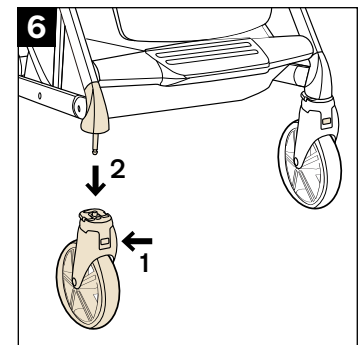
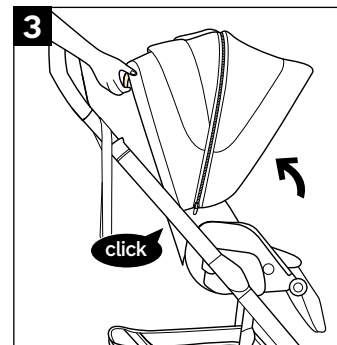
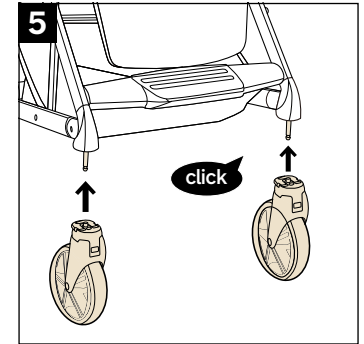
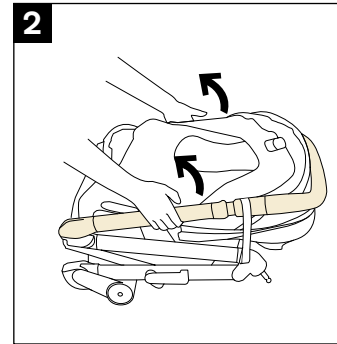
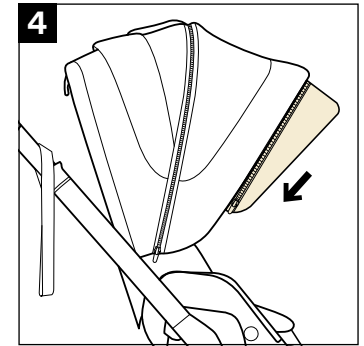
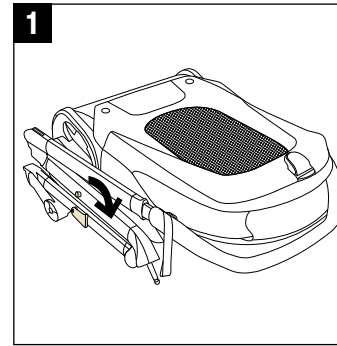
- 1 - Open the storage latch as shown.
 - 2 - Lift up on the handle from the sides and rotate to the rear of the stroller. A “click” sound means the stroller frame is open completely.
 - 3 - Squeeze the recline adjustment button on the back of the seat and rotate the backrest to the upright position.
- ! Check that the stroller is open completely before continuing.

Canopy

- 4 - Zip the canopy visor to the inside of the canopy.

Front Wheels

- 5 - Insert the front wheel into the front leg. A “click” sound means the wheel is assembled completely. Repeat on opposite side.
- ! Check the wheel is securely attached by pulling out.
- 6 - To remove the front wheel, press the release button (1) and detach the front wheel from the front leg (2).



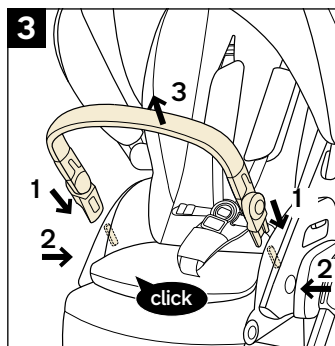
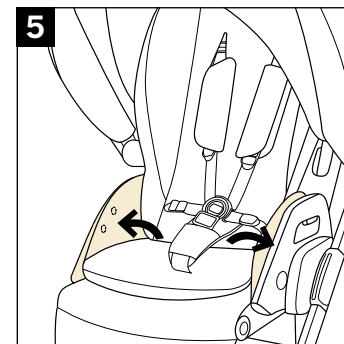
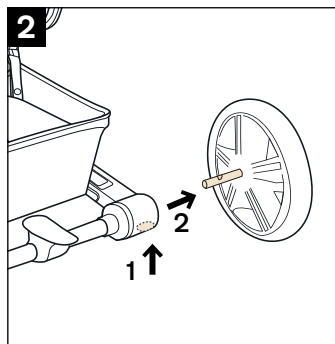
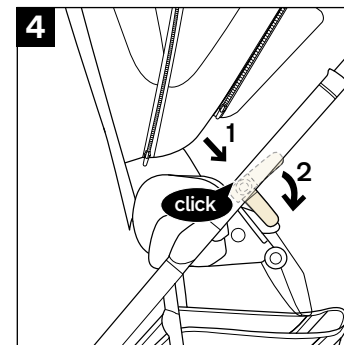
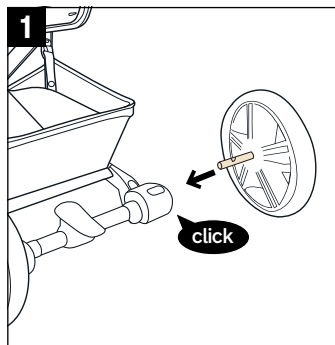
Rear Wheels

- 1 - Insert the rear wheel into the rear leg. A “click” sound means the rear wheel is assembled completely. Repeat on opposite side.
 - ! Check that the wheel is securely attached by pulling them out.
- 2 - To remove the rear wheel, press the release button (1) and detach the rear wheel from the rear leg (2).

Arm Bar

- ! Always secure the child with the harness. The arm bar is not a restraint device.
- 3 - Align the arm bar ends with the arm bar mounts, and insert until it clicks into place (1). A “click” sound means the arm bar is assembled completely.

To remove the arm bar, press the arm bar release buttons (2) and lift the arm bar up. (3)
 - 4 - For a more compact fold when the seat is rear facing, press the armbar adjustment buttons (1) and rotate the armbar down (2) until it clicks into place.
 - ! **NEVER** use the armbar in lowered/folded position when child is in stroller.
 - 5 - Fasten the inner snaps of the seat pad to the inside of the seating area as shown.



Check Set Up

- Stroller frame is latched open
- Front wheels and rear wheels securely attached
- Canopy mount attached to stroller frame
- Arm bar is securely attached

Product Use

! The parking brake **MUST** be engaged when the pram/stroller is stopped and when placing and removing child.

Securing Your Child

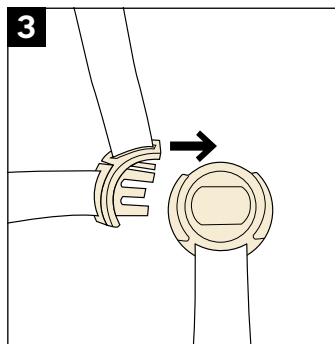
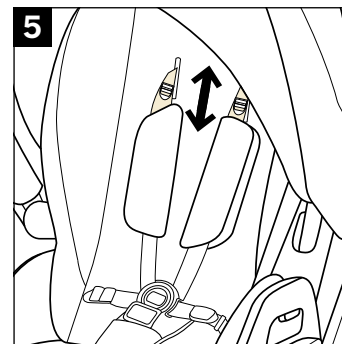
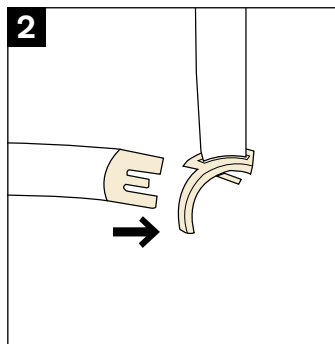
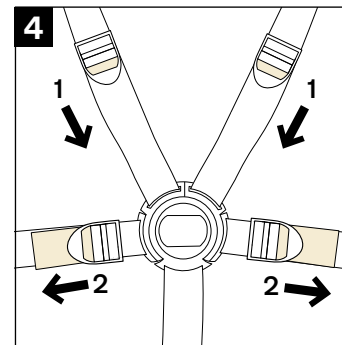
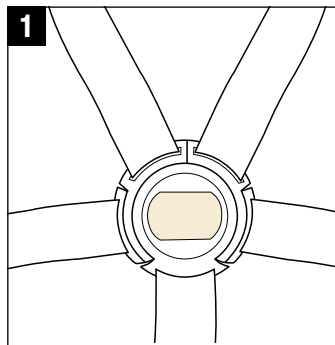
! Avoid serious injury from falling or sliding out. Always use the seat belt.

Make sure the harness is adjusted properly and your child is snugly secured. The space between the child and the shoulder harness should be about the thickness of one finger. **DO NOT** cross the shoulder belts. This will cause pressure on your child's neck.

- 1 - Push the center button on the buckle to release the buckle latch, remove the clips and place your child in the stroller.
- 2 - Connect the shoulder buckle and hip buckle.
- 3 - Secure the shoulder buckle and hip buckle to the buckle latch and repeat on the opposite side.
- 4 - Fit the harness snugly to your child by sliding the adjustment straps to tighten (1). Then pull the waist adjustment straps out (2).

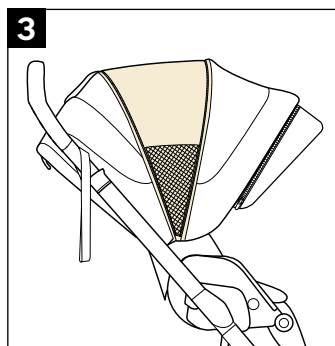
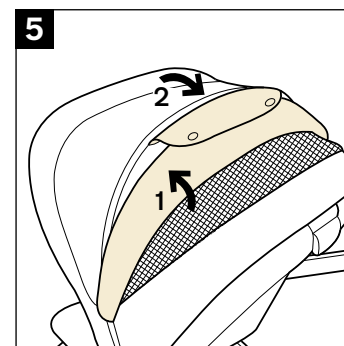
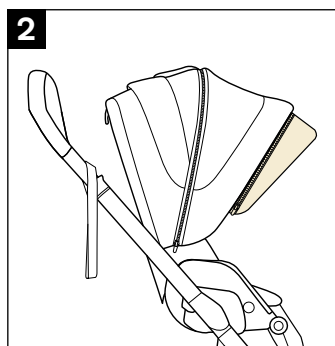
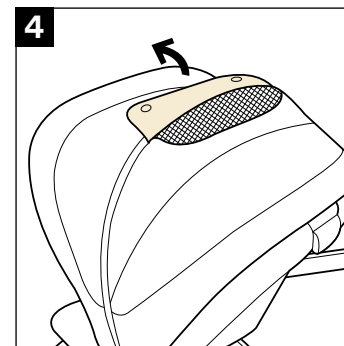
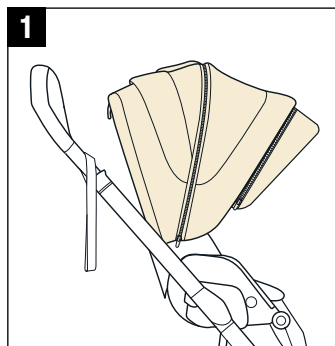
Shoulder Harness Position

- 5 - The upper shoulder harness buckles can be moved up and down for added adjustment.



Canopy

- 1 - To open the canopy, pull the canopy toward the front of the seat. To close the canopy, push it back.
 - 2 - Position the canopy visor forward or backward as needed. When not in use, fold the canopy visor under the canopy.
 - 3 - Open the zipper on the canopy for extra shade and ventilation.
 - 4 - For ventilation, flip up the top canopy window cover.
 - 5 - For additional ventilation, flip up the back canopy window cover (1) and fold down the top canopy window cover (2).
- ! The canopy is **NOT** removable.



Front Swivel Locks

It is recommended to use the front swivel locks on uneven surfaces.

- 1 - Squeeze (1) and pull out the front swivel lock (2) to lock the front wheel forward facing. You may need to move the wheel to get it to lock.
- 2 - Push in the front swivel lock to unlock.

Brake

- 3 - To lock the rear wheels, step down on rear of the brake lever.
 - 4 - To unlock the rear wheels, step down on front of the brake lever.
- ! Always apply the brake when the pram/stroller is stopped. Push the pram/stroller slightly to ensure the brake is engaged.

Handle

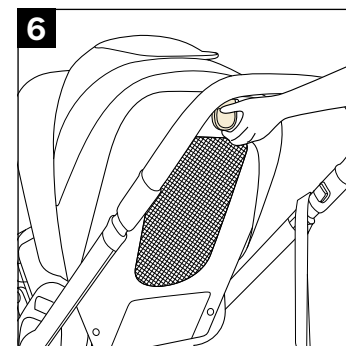
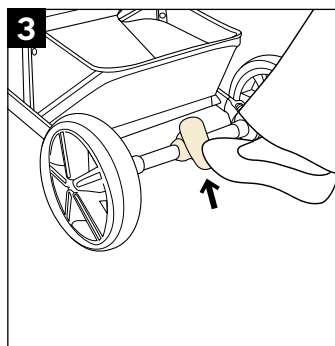
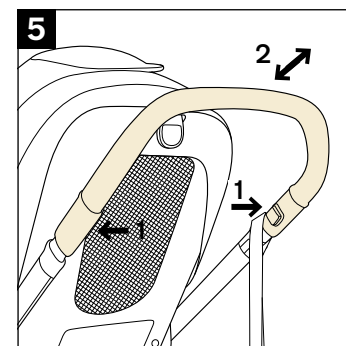
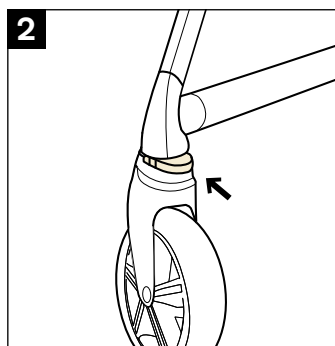
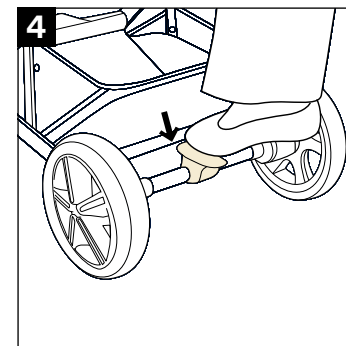
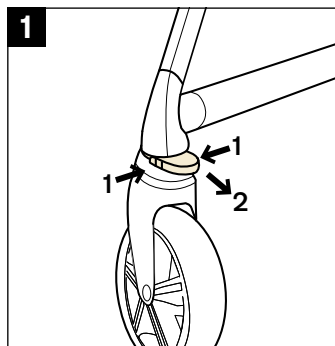
The handle has 3 positions.

- 5 - To adjust the height of the handle, press the handle adjustment buttons (1) and pull the handle up or down (2).

Recline Adjustment

There are 5 recline positions for the backrest.

- 6 - To raise or lower the backrest, squeeze the recline adjustment button, and pull the seat up or down.



Calf Support

The calf support has 2 use positions.

- 1 - To raise the calf support, lift up.
- 2 - To lower the calf support, press the adjustment buttons on the sides (1), and push down (2).

Insert

- 3 - To assemble the insert, place the insert over the seat and thread the shoulder, waist and crotch harnesses through their respective slots.
- 4 - Attach the hook and loop fasteners.

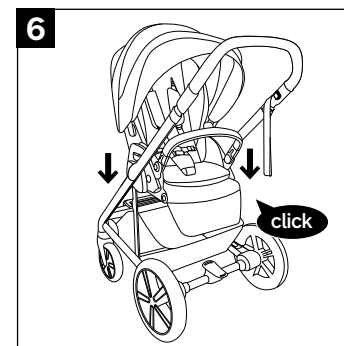
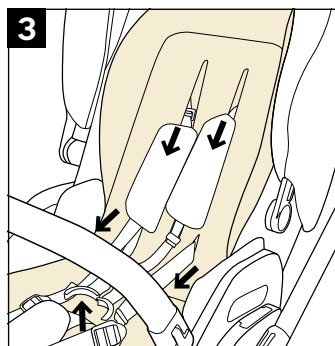
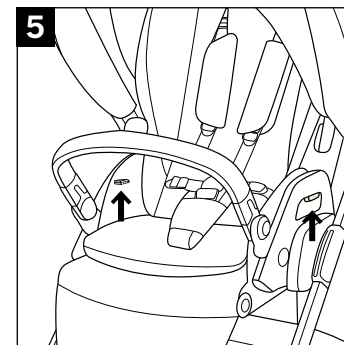
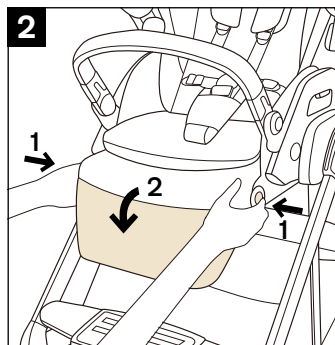
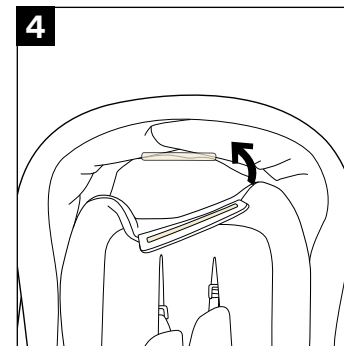
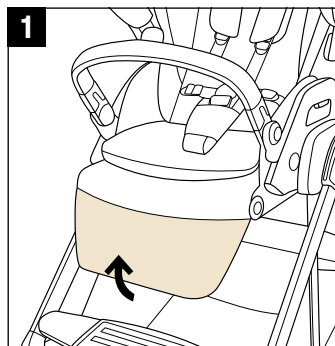
Reverse Seat

The seat can be used rearward or forward facing.

- 5 - Squeeze the seat release buttons and lift the seat up.
- 6 - Turn the seat in the opposite direction and place on the seat mounts until it clicks into place. A “click” sound means the seat is attached.

! Check to make sure seat is securely attached by pulling up on it.

! The rearward-facing position of the seat is only intended for a child up to 2 years, or until the child’s feet extend over the edge of the leg rest. The forward-facing position should be used from then on.



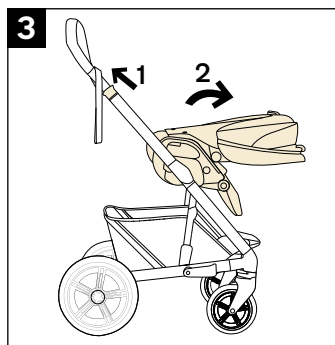
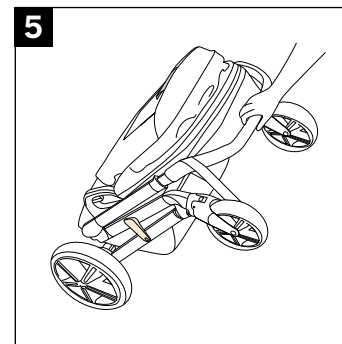
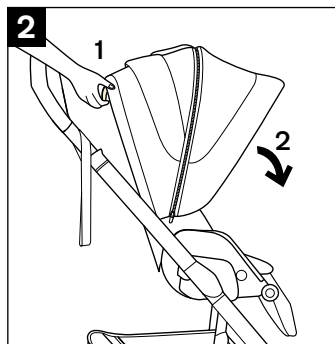
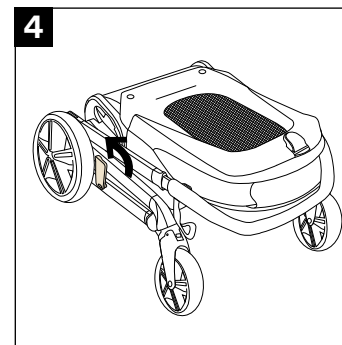
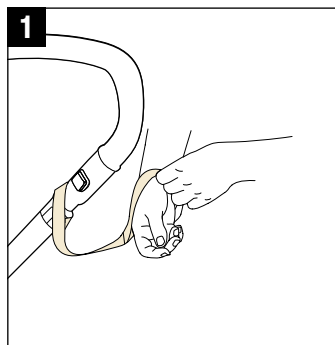
Use Tether Strap

- 1 - Use the tether strap to prevent the stroller inadvertently rolling away. Check that when your hand is through the loop, it allows you to easily control the stroller.

Fold

Before folding, push the canopy to the rear of the stroller.

- 2 - Squeeze the recline adjustment button on the back of the seat (1) and rotate the backrest to the stored position (2).
- 3 - Pull up on the folding buttons (1) and push the stroller forward to fold (2).
- 4 - Lock the stroller by tucking the storage latch onto the storage mount.
- 5 - Carry the stroller by lifting its handle.
 - ! Ensure the storage latch is engaged when lifting or carrying the stroller.



Accessories

Car Seat Adaptor

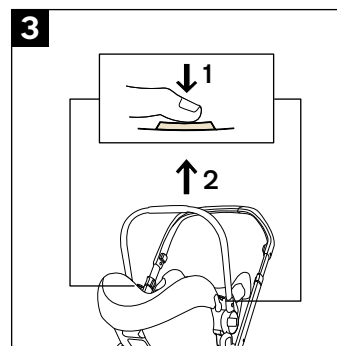
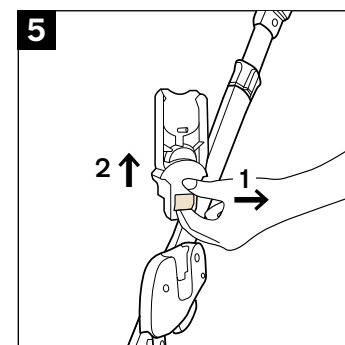
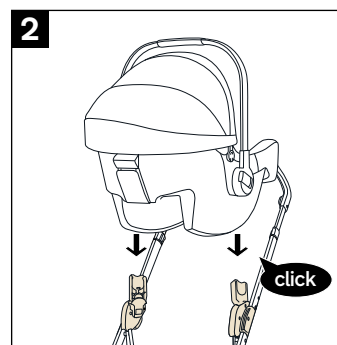
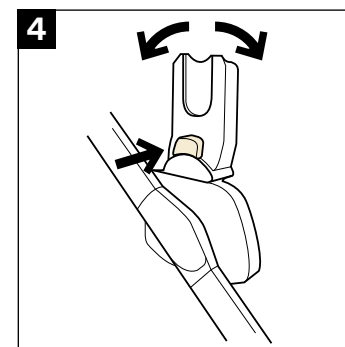
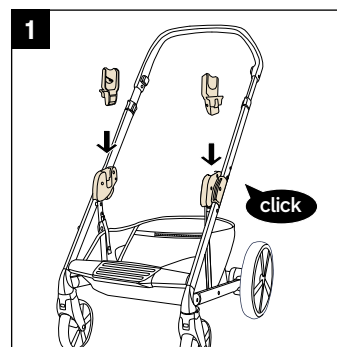
For KLIK plus infant carrier assembly and usage, please refer to the infant carrier instruction manual.

- 1 - To attach the adaptors, place the adaptors onto the seat mounts as shown. A “click” sound means the adaptors are locked.
- 2 - To attach the infant carrier, place the infant carrier onto the adaptors, A “click” sound means the infant carrier is locked.
- 3 - To remove the infant child carrier, lift the infant carrier up (2) while pressing the stroller release buttons. (1)
- 4 - The infant carrier angle can be adjusted with our adjustable adaptors.
- 5 - To remove the adaptors, lift the adaptors up (2) while pulling the release buttons. (1)

MIXX Rain Cover

Check that the canopy is completely open before attaching the rain cover.

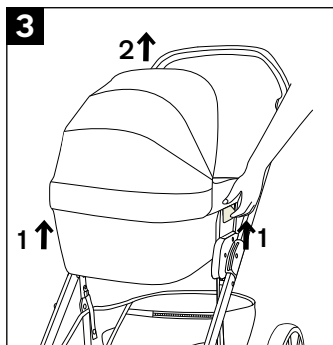
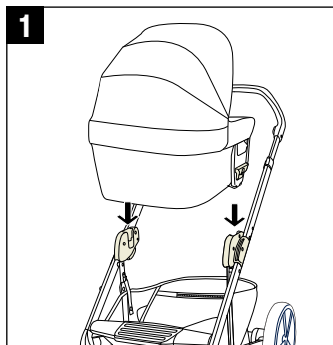
- 6 - To assemble the rain cover, place it over the stroller.
 - ! **ALWAYS** check ventilation when the rain cover is on the product.
 - ALWAYS** check that the rain cover has been cleaned and dried before folding.
 - DO NOT** fold the stroller when the rain cover is attached.
 - DO NOT** place your child in the stroller in hot weather with the rain cover attached.



MIXX Bassinet

For bassinet assembly and usage, please refer to the bassinet instruction manual.

- 1** - To attach the bassinet, align the sides of the bassinet with the seat mounts. Place the bassinet directly down until it clicks into place.
- 2** - A “click” sound means the bassinet is attached.
 - !** When bassinet is installed, make sure the canopy is pulled forward and the handle is locked.
- 3** - To remove the bassinet, press the bassinet release buttons **(1)** and lift up **(2)**.
 - !** Remove the bassinet before folding the stroller.



Cleaning and Maintenance

Clean the frame, plastic parts, and fabric with a damp cloth, but do not use abrasives or bleach. Do not use silicon lubricants as they will attract dirt and grime. Do not store your stroller in a damp place.

Clean the stroller wheels regularly with water and remove any dirt.

Clean the adaptor with a damp cloth and a mild detergent and dry thoroughly. Do not use abrasives.

To ensure long-lasting use, wipe off this product with a soft, absorbent cloth after using it in rainy weather.

Refer to the care label attached to the fabric for washing and drying instructions.

It is normal for fabric to color from sunlight and to show wear and tear after a long period of use, even when used normally.

For reasons of safety, only use original Nuna parts.

Check regularly if everything functions properly. If any parts are torn, broken, or missing, stop using this product.

IM-000865D

The Nuna logo is a stylized, white, lowercase 'nuna' with a registered trademark symbol (®) to its upper right. The letters are rounded and connected, giving it a modern, clean appearance.

Find out more at nunababy.com