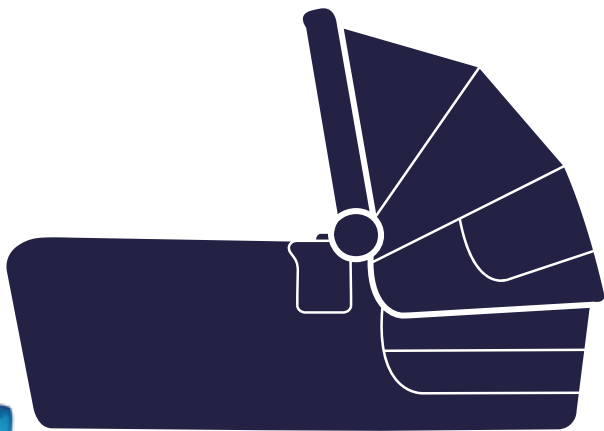


lytl™



nuna®

**IMPORTANT –
READ THE INSTRUCTIONS
CAREFULLY BEFORE
USE AND KEEP FOR
FUTURE REFERENCE.**

Designed
around your life

Contents

Product Information	3
Warranty	
Contact	
Child Usage Requirements	4
Warning	5
Parts List	8
Product Set Up	9
Product Use	13
Care and Maintenance	21



Product Information

Model Number: _____

Manufactured Date: _____

The model number and the manufactured date are located on a label on the mattress board inside the bassinet, under the soft goods.

Warranty

Our goods come with guarantees that cannot be excluded under the Australian Consumer Law. You are entitled to a replacement or refund for a major failure and compensation for any other reasonably foreseeable loss or damage. You are also entitled to have the goods repaired or replaced if the goods fail to be of acceptable quality and the failure does not amount to a major failure.

We have purposely designed our high-quality products so that they can grow with both your child and your family. Because we stand by our product, our gear is covered by a custom warranty per product, starting from the day it was purchased. Please have the proof of purchase, model number and manufactured in date available when you contact us.

For warranty information please visit:
www.nunababy.com

Contact

For replacement parts, service, or additional warranty questions, please contact our customer service department.

Distributed by Nuna Baby Australia Pty Ltd

ACN: 642 240 140

Unit 1, 35 Lyn Parade Prestons, NSW Australia 2170

For after-sales & warranty service, contact:

1800 951 070

customerservice@nunababy.com.au

Child Usage Requirements

This bassinet is suitable for use with children who meet the following requirements:

Weight: Up to 9 kg

The bassinet is only suitable for a child who cannot sit up unaided, roll over and cannot push itself up on its hands and knees.

WARNING

Failure to follow these warnings and the instructions could result in serious injury or death.

Any damage caused by the use of accessories not supplied by Nuna will not be covered in terms of warranty.

A child's safety is your responsibility.

Be aware of the risk of open fire or other source of strong heat, such as electric bar fires, gas fires, etc., in the near vicinity of bassinet.

Before carrying or lifting, make sure that the handle is in the correct position of use.

Check that the attachment devices are correctly engaged before use.

Ensure that all the locking devices are engaged before use.

Keep small parts away from children as they pose a choking hazard.

Only use on a firm, horizontal level and dry surface.

Overloading, incorrect folding, and the use of accessories e.g. child seats, bag hooks, rain covers, buggy boards, etc... other than those approved by Nuna may damage or make bassinet unsafe.

The bassinet is not to be used for long term sleeping.

The bassinet is not suitable for running or skating.

The bassinet is only suitable for a child who cannot sit up unaided, roll over and cannot push itself up on its hands and knees. Maximum weight of the child: 9kg.

The handle and the bottom should be inspected regularly for signs of damage and wear.

The head of the child in the bassinet should never be lower than the body.

To avoid any danger of suffocation, remove all plastic covers before using this item and destroy or keep away from babies and children.

To avoid injury ensure that your child is kept away when unfolding and folding the bassinet.

DO NOT leave the child unattended.

DO NOT store the bassinet in a damp place. Always allow the fabric to dry naturally away from direct heat.

DO NOT carry additional children, goods, accessories in or on the bassinet except as permitted in this leaflet. They may cause the bassinet to become unstable.

DO NOT use or add any mattress other than the one supplied with the bassinet by Nuna.

DO NOT add another mattress on top of the mattress provided or recommended by the manufacturers.

DO NOT let the child play with the bassinet.

DO NOT use the bassinet if any part of the bassinet is broken, torn or missing.

DO NOT let other children play unattended near the bassinet.

DO NOT place the bassinet near an open fire or other source of strong heat.

NEVER use the bassinet on a stand.

NEVER place the child with their head at the foot end of the bassinet.

NEVER leave a child in the bassinet when ascending or descending stairs or escalators, or when traveling on other forms of transport.

NEVER carry more than one child at a time in the bassinet. **USE** original Nuna parts and accessories only.

USE ONLY replacement parts supplied or approved by Nuna.

Any load attached to the handle or canopy affects the stability of the bassinet.

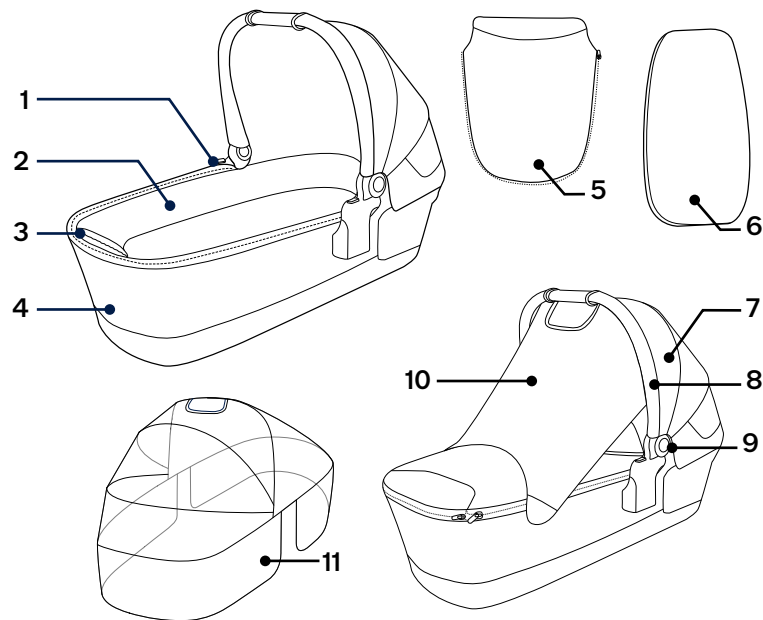
DO NOT USE THIS BASSINET ONCE THE CHILD CAN SIT UP UNAIDED.

DO NOT USE FOR UNSUPERVISED SLEEPING.

Parts List

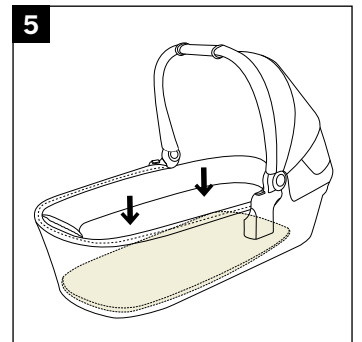
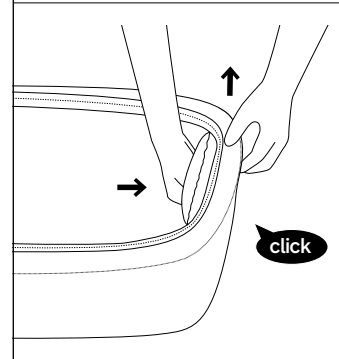
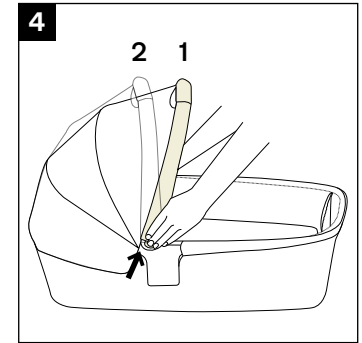
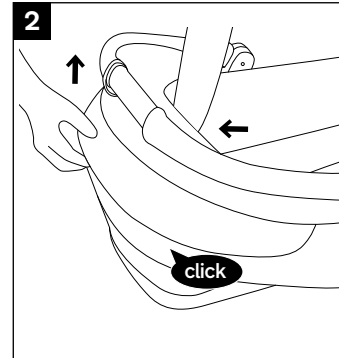
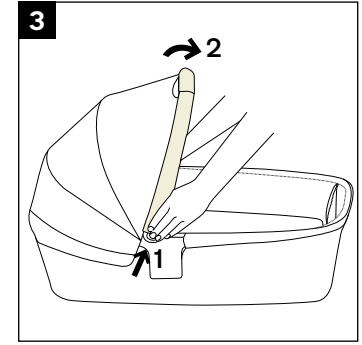
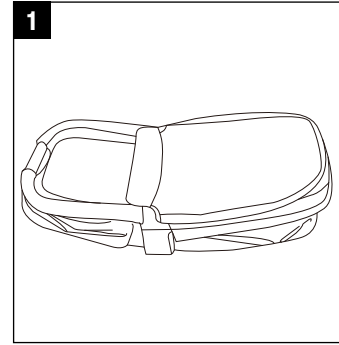
Make sure all parts are available before assembly. If any part is missing, please contact local retailer. No tools are required for assembly.

- | | | | |
|---|--|----|--------------------------|
| 1 | Bassinet Release Button | 6 | Mattress Pad |
| 2 | Bassinet Lining | 7 | Canopy |
| 3 | Accessory Bag
(maximum load = 1.3 kg) | 8 | Handle |
| 4 | Bassinet | 9 | Handle Adjustment Button |
| 5 | Bassinet Cover
(style may vary) | 10 | Dream Drape™ |
| | | 11 | Rain Cover |



Product Set Up

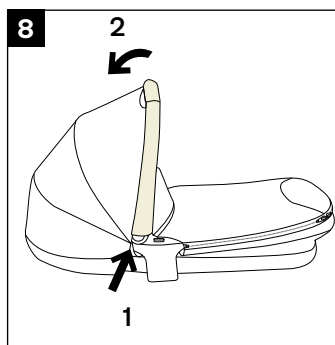
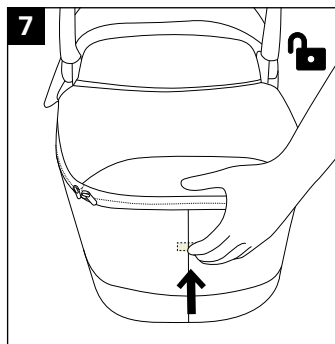
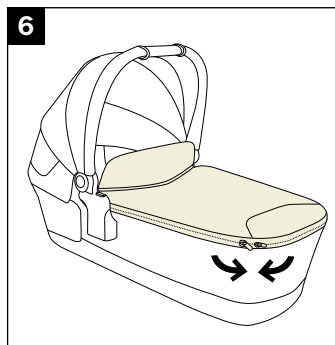
- 1 - Take the bassinet out.
 - 2 - Ensure the 2 support mounts under the soft goods are securely attached. A “click” sound means the support mount is attached completely.
 - 3 - Pull up the canopy as illustrated while pressing the buttons on both sides.
 - 4 - Check to make sure the handle is secure before placing the child in the bassinet.
- ! Make sure that the handle is in the correct position (1) of use before carrying or lifting.
- 5 - Always use the mattress when using the bassinet.
Mattress cover can easily be removed to wash.



- 6** - Attach the cover to the bassinet with zippers on either side.

Style of the bassinet cover may vary depending on the model purchased.

- 7** - To fold the bassinet, release the 2 support mounts.
- 8** - Fold the canopy while pressing the handle adjustment button.



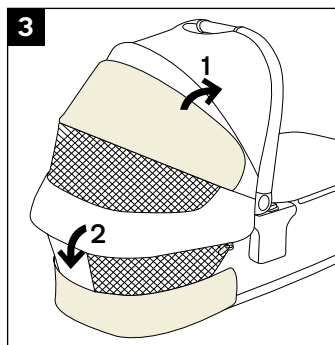
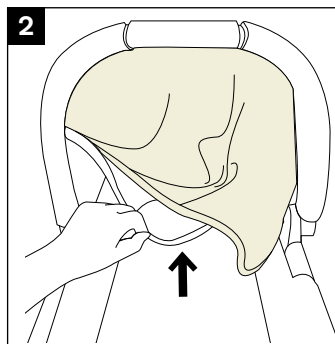
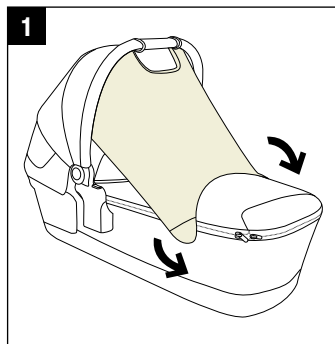
Product Use

Canopy

- 1 - Pull the dream drape™ out from under the bassinet canopy, then secure it to the two sides of bassinet with magnets.
- 2 - Store the dream drape™ under the canopy when not in use.
- 3 - For more ventilation, fold the rear panel of the canopy up to reveal the canopy window. (1)

Bassinet Window

- 3 - Unzip the bassinet window fabric and fold it down. (2)



Bassinet Attachment on Stroller Frame

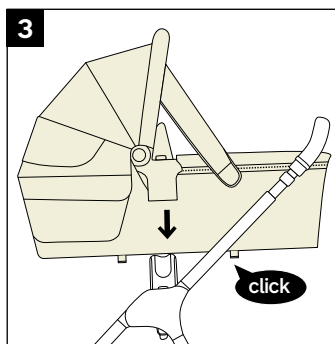
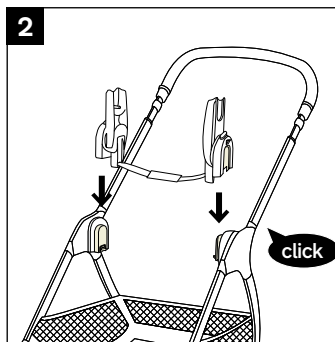
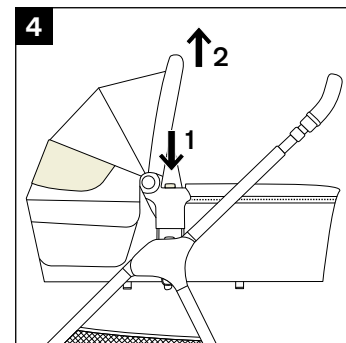
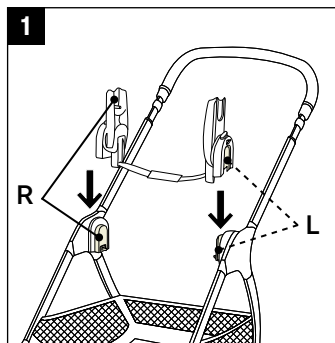
The post adapters used with TRIV next for attaching LYTL bassinet.

- 1 - Match the letters **(R)** and **(L)** on the post adapters to the frame's seat connections.
- 2 - To attach the post adapters, place the post adapters on the seat mounts. A "click" sound means the post adapters are attached.
- 3 - Place the bassinet directly down until it latches into place. The bassinet is securely attached with a positive "click".

Always remove the stroller seat before using the bassinet.

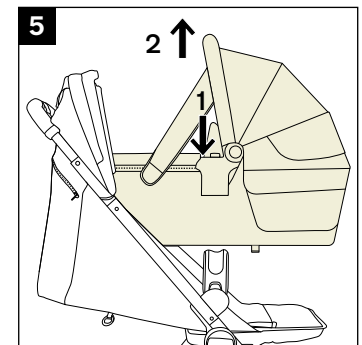
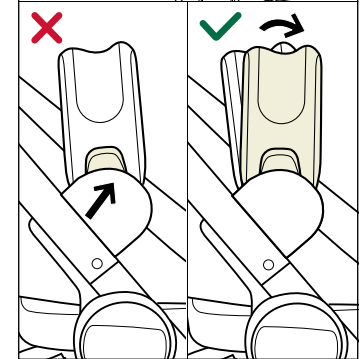
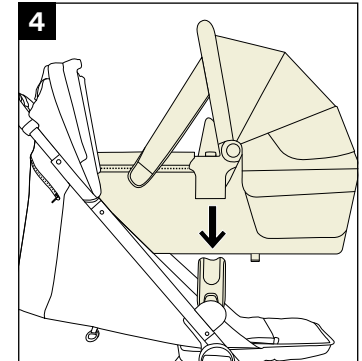
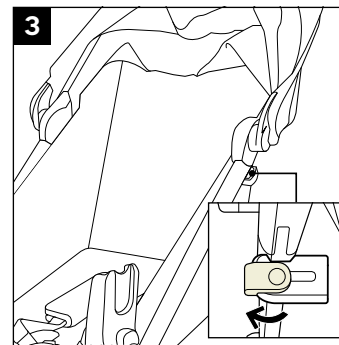
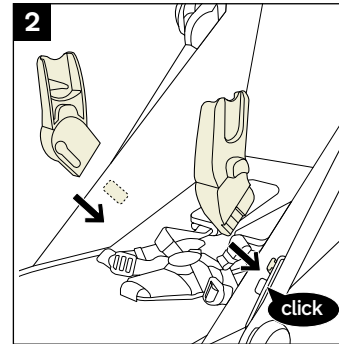
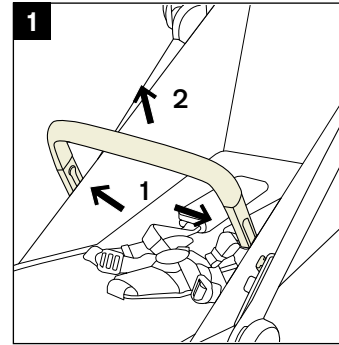
Do not fold the stroller when the bassinet is still attached.

- 4 - To remove the bassinet, press the release buttons **(1)** and lift up **(2)**.



The TRVL Adapter used with TRVL for attaching LYTL bassinet.

- 1 - To remove the armbar, press the armbar release buttons (1), and lift the armbar up (2).
- 2 - To attach the adapters, place the post adapters on the seat mounts. A “click” sound means the adapters are attached.
- 3 - To open the infant carrier lock, slide the latch out.
- 4 - To attach bassinet, place the bassinet on the post adapters. A “click” sound means the bassinet is attached. Make sure the backrest is fully reclined.
Adjust post adapter angle to the correct position. Adjust by pressing the adjustment bottom and rotate.
- 5 - To remove the bassinet, press the release buttons on the side of the bassinet (1) and lift up (2). Remove the bassinet before folding.

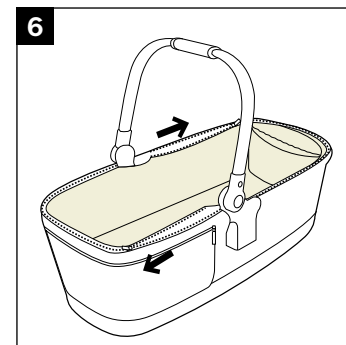
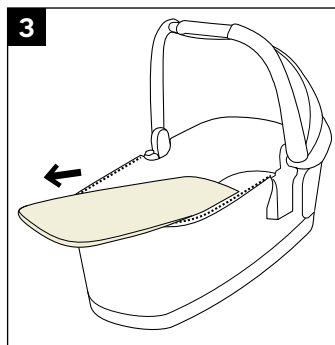
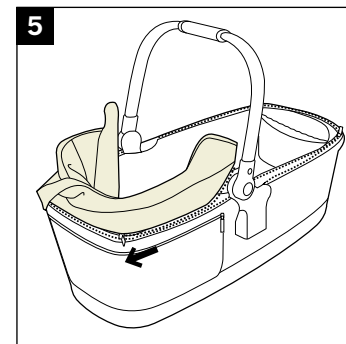
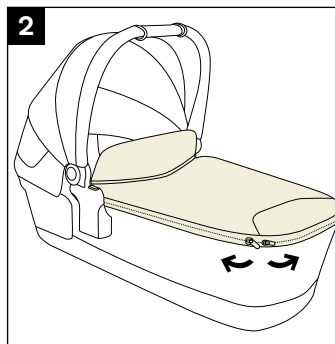
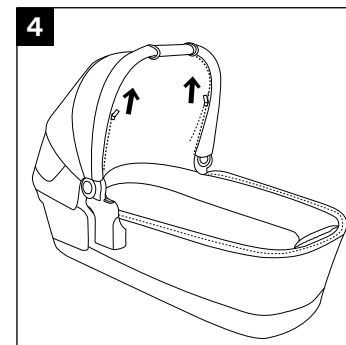


Rain Cover

- 1 - To assemble the bassinet rain cover, place it over the bassinet.
- ! **ALWAYS** check ventilation when the rain cover is on the product.
 - ! **ALWAYS** check that the rain cover has been cleaned and dried before folding.

Soft Goods Removal

- 2 - Unzip the bassinet cover to remove it.
- 3 - Take out the mattress pad and remove the cover.
- 4 - To remove the canopy, unzip the zippers on both sides and then the zipper under canopy.
- 5 - Pull the dream drape™ out so the zippers are more visible.
- 6 - To remove the bassinet lining. Unzip the zippers on the bassinet.



Care and Maintenance

Clean the frame, plastic parts, and fabric with a damp cloth, but do not use abrasives or bleach. Do not use silicon lubricants as they will attract dirt and grime. Do not store the bassinet in a damp place.

To ensure long-lasting use, wipe this product off with a soft, absorbent cloth after using it in rainy weather and before storing away.

Refer to the care labels attached to the soft goods for washing and drying instructions.

It is normal for fabric to color from sunlight and to show wear and tear after a long period of use, even when used normally.

For reasons of safety, only use original Nuna parts.

Check regularly if everything functions properly. If any parts are torn, broken, or missing, stop using this product.

IM-001038D

nuna®

Find out more at nunababy.com