

# lytl™ bassinet + stand



nuna®



## *Thank* **you!**

You've just purchased a Nuna product, and you can be sure that your child is getting the best there is. Our products are expertly engineered for safety, with luxury fabrics and sophisticated style. Whatever made you fall in love with Nuna, rest assured your adventures with your little one will be easier from now on, freeing you to enjoy more happy family moments together.



**IMPORTANT!  
KEEP THESE  
INSTRUCTIONS FOR  
FUTURE REFERENCE:  
*READ ALL INSTRUCTIONS  
CAREFULLY BEFORE  
ASSEMBLY AND USE  
OF THE BASSINET.***

## Contents

<b>Product Information</b>	4
Product Registration	4
Warranty	4
Contact	4
<b>Child Usage Requirements</b>	5
<b>Warnings</b>	6
<b>Parts List</b>	10
<b>Bassinet Setup</b>	12
<b>Stand Setup</b>	20
<b>Stand Use</b>	22
<b>Bassinet Use on a Stroller</b>	24
<b>Cleaning and Maintenance</b>	26

## Product Information

Model Number: \_\_\_\_\_

Manufactured in (date): \_\_\_\_\_

### Product Registration

Please fill in the above information. The model number and the manufactured in date are located on the stand frame and on the mattress board inside the bassinet (under the soft goods). Fill out the prepaid registration postcard attached to the product and mail it today.

**To register your product please visit:**

[www.nunababy.com](http://www.nunababy.com)

Click on the “Register Gear” link on the homepage.

### Warranty

We have purposely designed our high-quality products so that they can grow with both your child and your family. Because we stand by our product, our gear is covered by a custom warranty per product, starting from the day it was purchased. Please have the proof of purchase, model number and manufactured in date available when you contact us.

**For warranty information, please visit:**

[www.nunababy.com/warranty](http://www.nunababy.com/warranty)

### Contact

For replacement parts, service, or additional questions, please contact our customer service department.

[infousa@nunababy.com](mailto:infousa@nunababy.com)

[nunababy.com](http://nunababy.com)

1.855.NUNA.USA

## Child Usage Requirements

### Bassinet Usage

This bassinet is suitable for use with children who meet the following requirements:

**Weight:** Up to 20 lb (9 kg) (birth–6 months)

**Height:** 27 in. (68 cm) or less

**STOP** using the bassinet when the infant begins to push up on hands and knees.

### Stand Usage

Only use the Nuna LYTL™ bassinet on this stand.

## **⚠️ WARNING**

Failure to follow these warnings and the instructions could result in death or serious injury.

# **SUFFOCATION HAZARD**

## **Babies have suffocated:**

- On pillows, comforters, and extra padding.
- In gaps between a wrong size mattress, or extra padding and bassinet sides.
- **NEVER** add soft bedding or padding.
- Use **ONLY** mattress provided by Nuna.
- Always place baby on back to sleep to reduce the risk of SIDS and suffocation.

- If a sheet is used with the pad, use only the one provided by Nuna or one specifically designed to fit the dimension of the bassinet mattress.

- Bassinet can roll over on soft surfaces and suffocate child. **NEVER** place bassinet on beds, sofas, or other soft surfaces.

## **FALL HAZARD:** To help prevent falls,

- Do not use this bassinet when the infant begins to push up on hands and knees, has reached 20 lb (9 kg), or whose height is more than 27 inches (68 cm), whichever comes first.
- Always check that the bassinet is securely locked onto the stroller/stand by pulling up on it.
- Only use bassinet on stand or stroller. Never use on floor or an unintended elevated surface.
- Strings can cause strangulation! Do not place items with a string around a child's neck, such as hood strings or pacifier cords. Do not suspend strings over a bassinet or cradle or attach strings to toys.
- Do not use if any part of the LYTL bassinet + stand is broken, torn, or missing.
- Child's movement can slide bassinet. **NEVER** place bassinet on counter tops, tables, or any other elevated surface. **ONLY** use bassinet on a Nuna stroller designed for use with the bassinet, or on the included stand. **DO NOT** use bassinet on floor/ground.

A child's safety is your responsibility. Always provide the supervision necessary for the continued safety of your child. Never leave your child unattended.

**MAKE SURE** stand and bassinet are fully erected and latches are locked before use.

Only use the Nuna LYTL bassinet on this stand. Do not attempt to attach any other items to this stand.

Only use the stand on firm ground that is horizontal, level and dry.

Be certain the stand is fully opened before placing the bassinet on the stand. Fold stand and store away when not in use.

Never place product near a window where cords from blinds or drapes can strangle child.

Child can become entrapped and die when improvised netting or covers are placed on top of bassinet. Never add such items to confine child in bassinet.

**DO NOT** place any item on the canopy of this product.

To avoid any danger of suffocation, remove all plastic covers before using this product and destroy or keep away from babies and children!

Keep small parts away from children as they pose a choking hazard.

**DO NOT** make any changes or modifications to this product, that is not specified in this manual.

To prevent a hazardous or unstable condition, do not place more than 3 lb (1.4 kg) in the accessory pocket.

**AVOID FINGER ENTRAPMENT** Use care when folding and unfolding the stand.

**NEVER** use this bassinet as a means to transport an infant in a motor vehicle.

**NEVER** leave child in the bassinet when ascending or descending stairs or escalators.

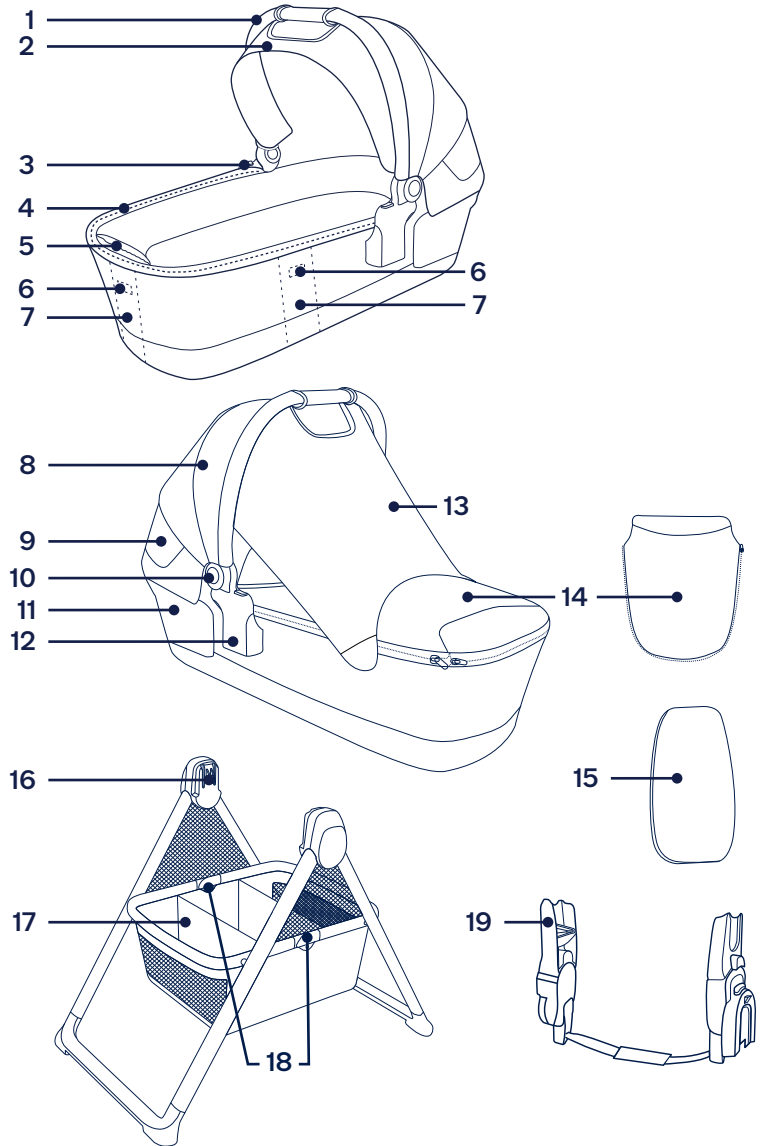
**NEVER** carry more than one child at a time in this product  
**DO NOT** allow child to crawl, sit or play in storage basket or product.

Do not use the bassinet if it is damaged or broken.

# Parts List

No tools are required for assembly.

- 1 Handle
- 2 Canopy Visor
- 3 Bassinet Release Button
- 4 Removable Liner
- 5 Accessory Pocket
- 6 Support Mount Release Button
- 7 Support Mount (under Bassinet Liner)
- 8 Canopy
- 9 Canopy Window
- 10 Handle Adjustment Button
- 11 Bassinet Rear Panel
- 12 Attachment Mount
- 13 Sky™ Drape
- 14 Bassinet Cover
- 15 Mattress and Cover
- 16 Stand Mounts
- 17 Storage Basket
- 18 Storage Basket Frame Joints
- 19 Post Adapters



# Bassinet Setup

## Unfold Bassinet

- 1 - Push out the support mounts on both ends and both sides of the bassinet until they lock into place. A “click” sound means the support mount is locked. Push down on the bassinet to check.

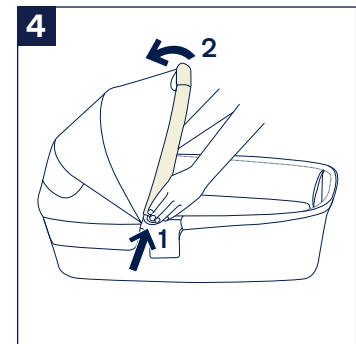
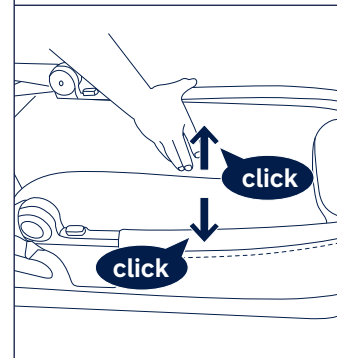
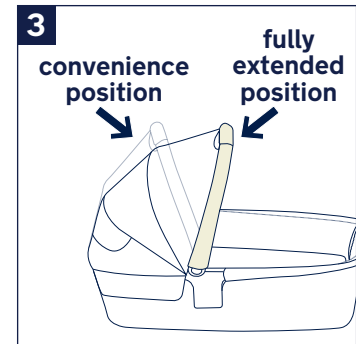
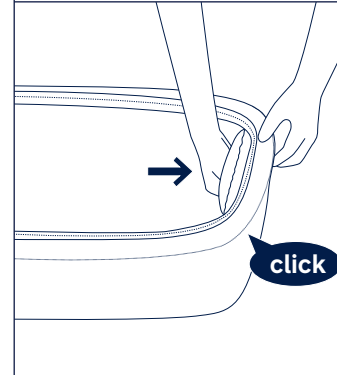
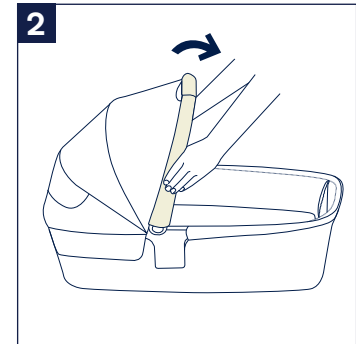
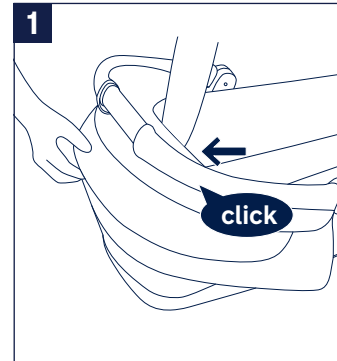
## Unfold Canopy

- 2 - To unfold the canopy, rotate the handle up.
- 3 - The handle will stop in the convenience position for accessing child. To continue to open the canopy further, push the handle adjustment buttons on both sides of the handle and pull handle towards the foot end of the bassinet until it clicks into the fully extended position.

⚠ Be sure handle is locked in the fully extended position before lifting the bassinet by the handle.

## Fold Canopy

- 4 - Fold the canopy by pressing the handle adjustment buttons on both sides (1) and rotating the handle down (2).



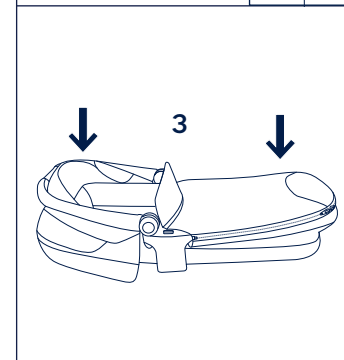
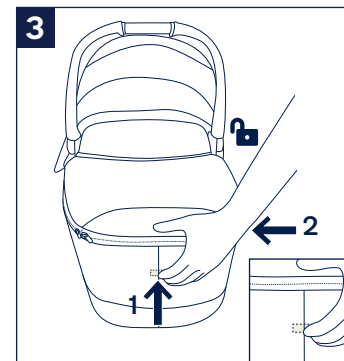
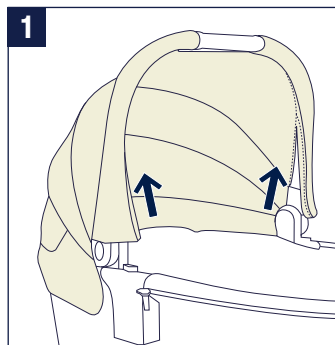


## Remove Canopy

- 1 - To remove the canopy, unzip the canopy zipper located on the inside of the canopy handle.
- 2 - Unzip the bottom panel of the canopy.

## Fold Bassinet

- 3 - Press the support mount release button on both ends (1) and both sides (2) of the bassinet and push down on the bassinet (3).



## Canopy Ventilation

- 1 - Unfold the canopy window and unzip the bassinet rear panel for more ventilation.

## Bassinet Cover

- 2 - Attach the bassinet cover to the bassinet with the zippers on either side.

**⚠ DO NOT** use the Sky drape with the top panel of the bassinet cover flipped up.

## Sky Drape

- 3 - Pull out the Sky drape from underneath the flap under the canopy as shown.
- 4 - Attach the magnets on the corners of the Sky drape to the side rails of the bassinet.

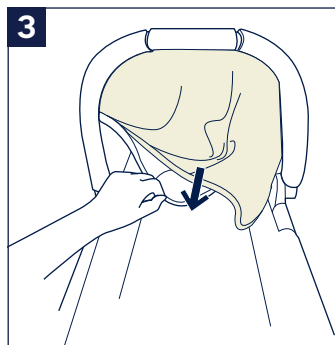
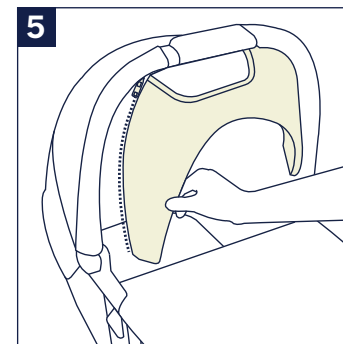
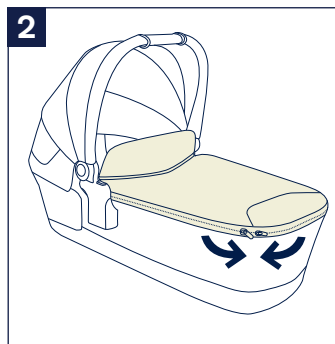
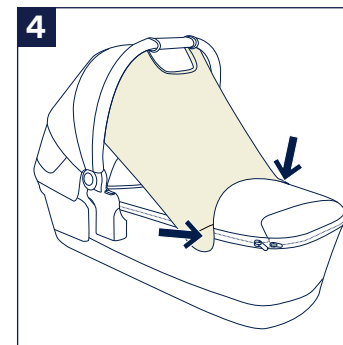
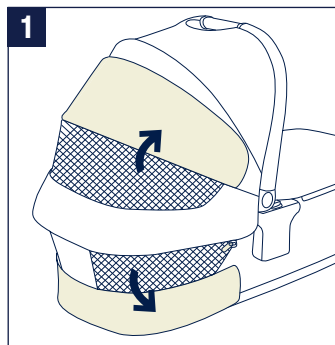
To store, tuck the Sky drape back under the flap underneath the canopy.

## Canopy Visor

- 5 - To attach the canopy visor, zip it to the underside of the canopy on both sides of handle.

Visor flips in or out for added sun protection.

Unzip visor to remove.



## Mattress

### **⚠️ WARNING**

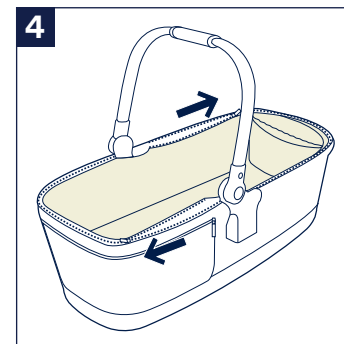
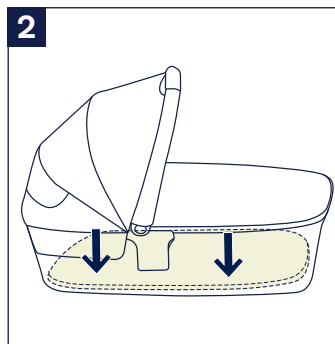
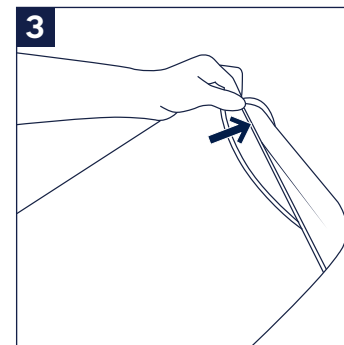
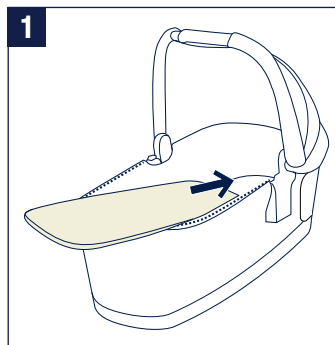
To avoid serious injury, always use the mattress when using the bassinet.

- 1 - Insert the mattress into the bassinet so that the opening seam on the mattress is on the bottom.
- 2 - Mattress should be completely flush with the bottom of the bassinet.
- 3 - To wash the mattress cover, remove the cover from the mattress. Machine wash. Line dry only. **DO NOT** wash the mattress.

### **Bassinet Liner**

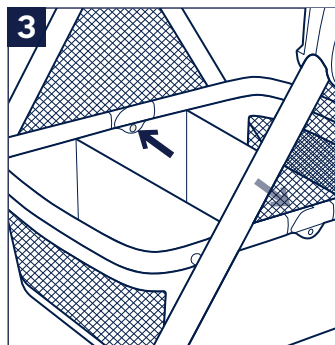
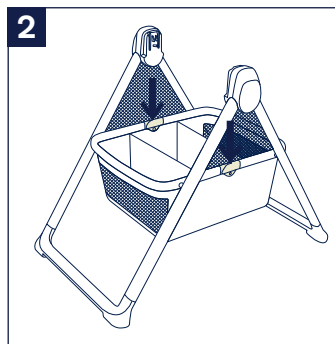
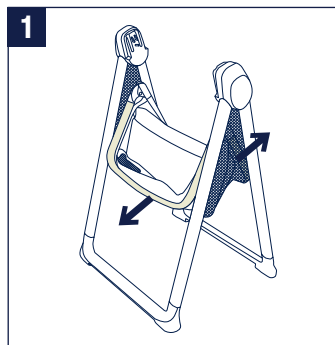
Close the canopy for easier access and remove bassinet mattress.

- 4 - To wash liner, unzip and remove from bassinet. Always reinstall liner before use of bassinet.



## Stand Setup

- 1 - Pull the ends of the storage basket frame away from each other.
  - 2 - The storage basket frame joints should lie flat before attaching the bassinet.
- ⚠** Be certain the stand is fully opened before placing the bassinet on the stand.
- Push down on the joints to ensure that the hinge is properly engaged.
- 3 - Snap the basket fabric to the snaps on the storage basket frame joints.



# Stand Use

Only use the Nuna LYTL bassinet on this stand.

## Basket

1 - The storage basket has 3 compartments for use.

⚠ Do not place more than 10 lb (4.5 kg) in storage basket.

## Fold

2 - To fold the stand, lift the storage basket frame joints up.

## Stand Use with LYTL Bassinet

For bassinet assembly and usage, please refer to the bassinet instructions starting on page 12.

The bassinet can be attached both ways on the stand.

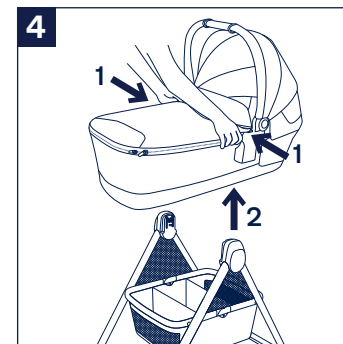
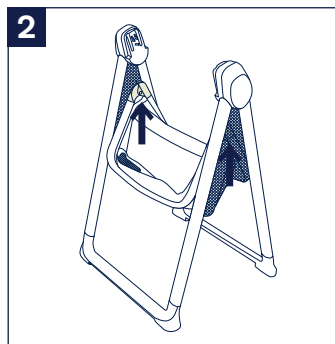
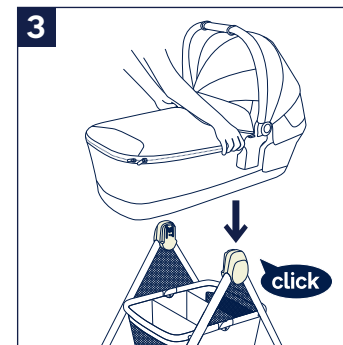
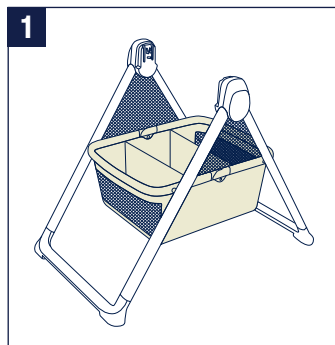
3 - To attach the bassinet, align the sides of the bassinet with the stand mounts.

Place the bassinet directly down until it clicks into place.

A “click” sound means the bassinet is attached.

4 - To remove the bassinet, squeeze the bassinet release buttons (1) and lift up (2).

⚠ Remove the bassinet before folding the stand.



# Bassinet Use on a Stroller

Visit [nunababy.com](http://nunababy.com) to check stroller compatibility with the LYTL bassinet.

## Bassinet Attachment on Stroller Frame

**⚠️ ALWAYS** remove the stroller seat before using the bassinet.

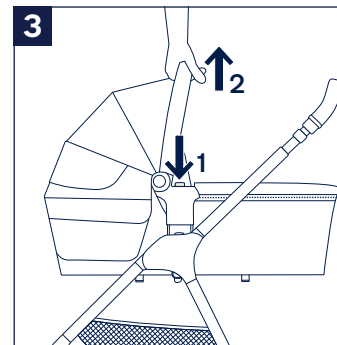
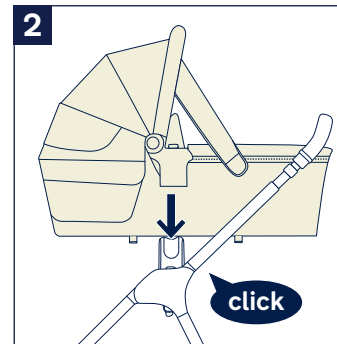
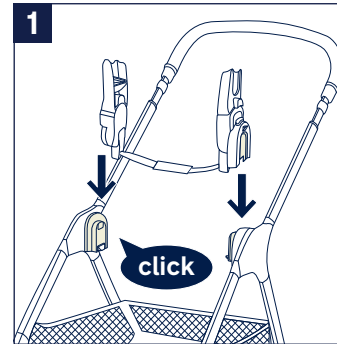
The bassinet can be attached in a rear-facing or forward-facing mode when on the stroller frame.

- 1 - To attach the post adapters, secure the adapters on the stroller seat mounts. A “click” sound means the adapters are attached. Pull up on the adapters to check.
- 2 - Guide the bassinet onto the post adapters. A “click” sound means the bassinet is attached. Pull up on the bassinet handle to check that it is securely attached.

## Bassinet Removal

- 3 - To remove the bassinet, press the bassinet release button on both sides (1) and lift up (2).

**⚠️** Remove the bassinet before folding the stroller.



## Cleaning and Maintenance

Clean the frame, plastic parts, and fabric with a damp cloth, but do not use abrasives or bleach. Do not use silicon lubricants as they will attract dirt and grime. Do not store this product in a damp place.

To ensure long-lasting use, wipe the bassinet off with a soft, absorbent cloth after using it in rainy weather and before storing away.

Refer to the care label attached to the bassinet fabric for washing and drying instructions.

It is normal for fabric to color from sunlight and to show wear and tear after a long period of use, even when used normally.

For reasons of safety, only use original Nuna parts.





IM-000638D



Nuna Baby Essentials, Inc.

70 Thousand Oaks Blvd. | Morgantown, PA 19543

1.855.NUNA.USA | [nunababy.com](http://nunababy.com)