

demi™ grow bassinet + stand



nuna®



Thank you!

You've just purchased a Nuna product, and you can be sure that your child is getting the best there is. Our products are expertly engineered for safety, with luxury fabrics and sophisticated style. Whatever made you fall in love with Nuna, rest assured your adventures with your little one will be easier from now on, freeing you to enjoy more happy family moments together.



**IMPORTANT!
KEEP THESE
INSTRUCTIONS FOR
FUTURE REFERENCE:**
*READ ALL INSTRUCTIONS
CAREFULLY BEFORE
ASSEMBLY AND USE
OF THE BASSINET.*

Contents

Product Information

Product Registration	4
Warranty	4
Contact	4

Child Usage Requirements

5

Warnings

6

Parts List

9

Bassinet Setup

10

Stand Setup

16

Stand Use

18

Bassinet Use on a Stroller

22

Cleaning and Maintenance

24

Product Information

Model Number: _____

Manufactured in (date): _____

Product Registration

Please fill in the above information. The model number and the manufactured in date are located on the stand frame and on the mattress board inside the bassinet (under the soft goods). Fill out the prepaid registration postcard attached to the product and mail it today.

To register your product please visit:

www.nunababy.com

Click on the “Register Gear” link on the homepage.

Warranty

We have purposely designed our high-quality products so that they can grow with both your child and your family. Because we stand by our product, our gear is covered by a custom warranty per product, starting from the day it was purchased. Please have the proof of purchase, model number and manufactured in date available when you contact us.

For warranty information please visit:

www.nunababy.com/warranty

Contact

For replacement parts, service, or additional warranty questions, please contact our customer service department.

In the USA:

infoUSA@nunababy.com

www.nunababy.com

1.855.NUNA.USA (1.855.686.2872)

Child Usage Requirements

Bassinet Usage

This bassinet is suitable for use with children who meet the following requirements:

Weight: Up to 20 lb (9 kg) (birth–6 months)

Height: 27 in. (68 cm) or less

STOP using the bassinet when the infant begins to push up on hands and knees.

Stand Usage

Only use the Nuna DEMI grow bassinet or DEMI grow stroller seat on this stand.

For child usage requirements for the DEMI grow stroller seat, refer to the instruction manual for that product.

!WARNING

Failure to follow these warnings and the instructions could result in death or serious injury.

SUFFOCATION HAZARD

Babies have suffocated:

- On pillows, comforters, and extra padding.
- In gaps between a wrong-size mattress, or extra padding and bassinet sides.
- **NEVER** add soft bedding or padding.
- Use **ONLY** mattress provided by Nuna.
- Always place baby on back to sleep to reduce the risk of SIDS and suffocation.

- If a sheet is used with the pad, use only the one provided by Nuna or one specifically designed to fit the dimension of the bassinet mattress.
- Bassinet can roll over on soft surfaces and suffocate child. **NEVER** place bassinet on beds, sofas, or other soft surfaces.

FALL HAZARD: To help prevent falls,

- Do not use this bassinet when the infant begins to push up on hands and knees, has reached 20 lb (9 kg), or whose height is more than 27 inches (68 cm), whichever comes first.
- Always check that the bassinet is securely locked onto the stroller/stand by pulling up on it.
- Child's movement can slide bassinet. **NEVER** place bassinet on counter tops, tables, or any other elevated surface. **ONLY** use bassinet on a Nuna DEMI grow stroller/stand. **DO NOT** use bassinet on floor/ground.

A child's safety is your responsibility. Always provide the supervision necessary for the continued safety of your child. Never leave your child unattended.

MAKE SURE stand and bassinet are fully erected and latches are locked before use.

Only use the Nuna DEMI grow bassinet or DEMI grow stroller seat on this stand. Do not attempt to attach any other items to this stand.

Only use on firm ground that is horizontal, level and dry.

The seat recline must be in the vertical position when using the seat on the stand.

Be certain the stand is fully opened before placing the bassinet or stroller seat on the stand. Fold stand and store away when not in use.

Strings can cause strangulation! Do not place items with a string around a child's neck, such as hood strings or pacifier cords. Do not suspend strings over a bassinet or cradle or attach strings to toys.

Never place product near a window where cords from blinds or drapes can strangle child.

Child can become entrapped and die when improvised netting or covers are placed on top of bassinet. Never add such items to confine child in bassinet.

DO NOT place any item on the canopy of this product.

To avoid any danger of suffocation, remove all plastic covers before using this product and destroy or keep away from babies and children!

Keep small parts away from children as they pose a choking hazard.

DO NOT make any changes or modifications to this product, that is not specified in this manual.

To prevent a hazardous or unstable condition, do not place more than 3 lb (1.4 kg) in the accessory pocket.

AVOID FINGER ENTRAPMENT Use care when folding and unfolding the stand.

NEVER use this bassinet as a means to transport an infant in a motor vehicle.

NEVER leave child in the bassinet when ascending or descending stairs or escalators.

NEVER carry more than one child at a time in this product

DO NOT allow child to crawl, sit or play in storage basket or product.

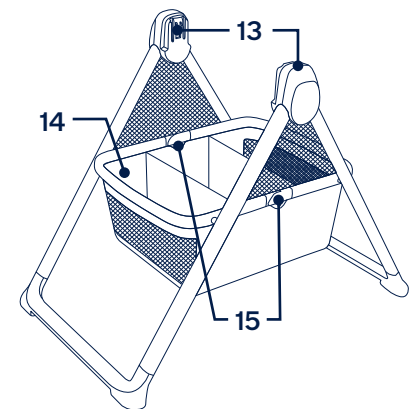
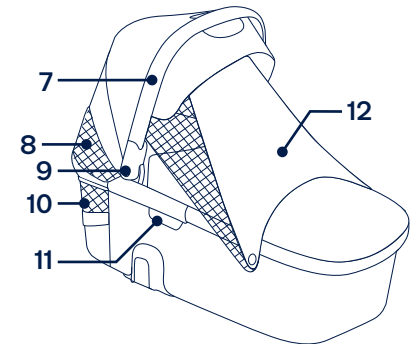
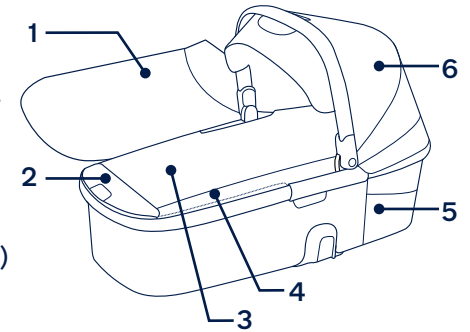
Do not use if any part of the DEMI grow bassinet + stand is broken, torn, or missing.

Do not use the bassinet if it is damaged or broken.

Parts List

No tools are required for assembly.

- 1 Bassinet Cover
- 2 Accessory Pocket (maximum load = 3 lb)
- 3 Bassinet Liner
- 4 Mattress
- 5 Bassinet
- 6 Canopy
- 7 Handle
- 8 Canopy Window
- 9 Handle Fold Button
- 10 Bassinet Window
- 11 Bassinet Release Button
- 12 Sky Drape™
- 13 Stand Mounts
- 14 Storage Basket
- 15 Storage Basket Frame Joints

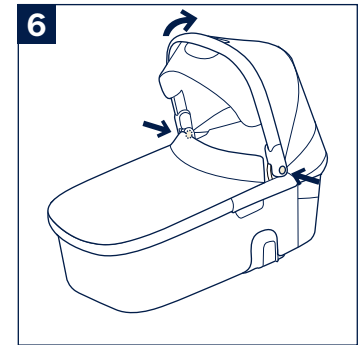
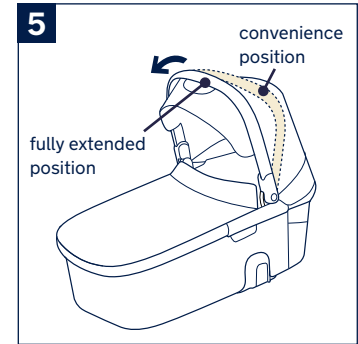
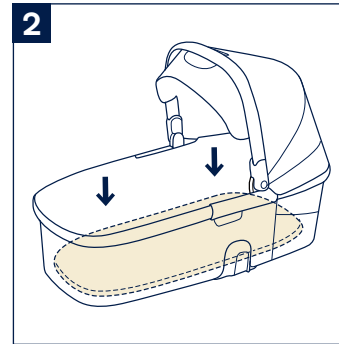
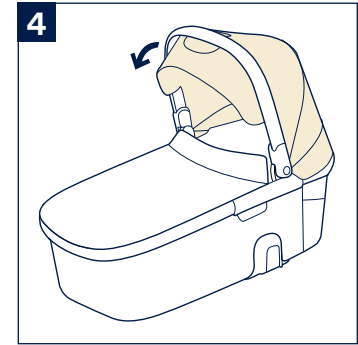
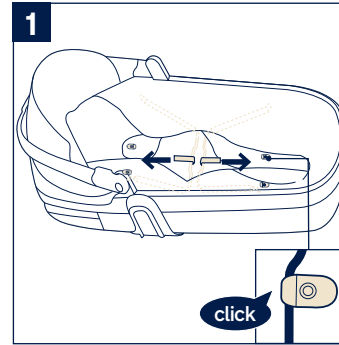


Bassinet Setup

- 1 - Open the wire support on both sides of the bassinet. Click the wire into the four plastic parts. A “click” sound means the wire support is secure.
- 2 - Place the mattress into the bassinet and smooth it down.
⚠️ Always use the mattress when using the bassinet. Mattress cover can easily be removed to wash.
- 3 - Attach the bassinet cover to the bassinet with the zippers on either side.

Canopy

- 4 - To open the canopy, rotate the handle up.
- 5 - The handle will stop in the convenience position for accessing child. To continue to open the canopy further, push the buttons on both sides of the handle and pull handle towards the foot end of the bassinet until it clicks into the fully extended position.
⚠️ Be sure handle is locked in the fully extended position before lifting the bassinet by the handle.
- 6 - To close the canopy, press the handle fold buttons simultaneously on both sides, and rotate down.



Canopy Window

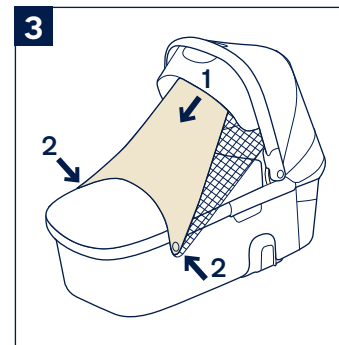
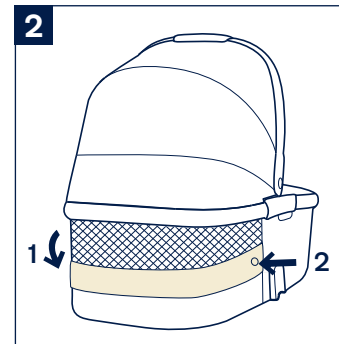
- 1 - For more ventilation, fold the rear panel of the canopy up to reveal the canopy window.

Bassinet Window

- 2 - Unzip the bassinet window fabric and fold it down (1).
Secure the fabric with the magnet on both sides (2).

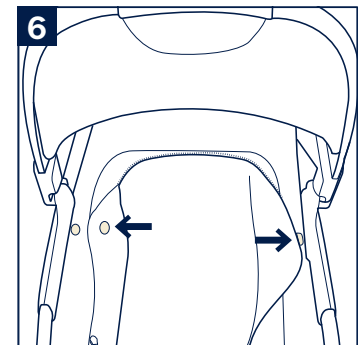
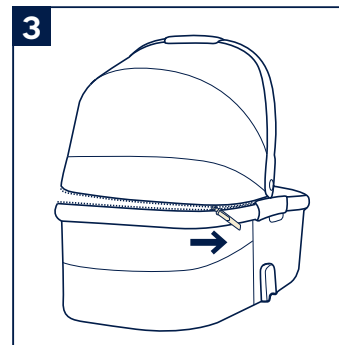
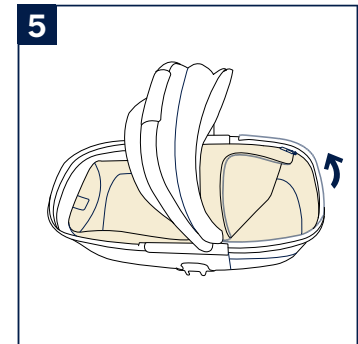
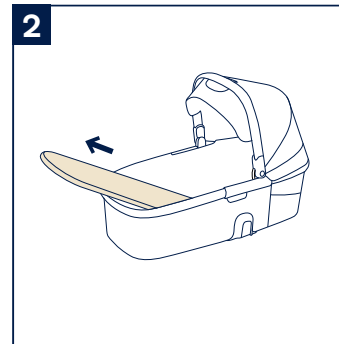
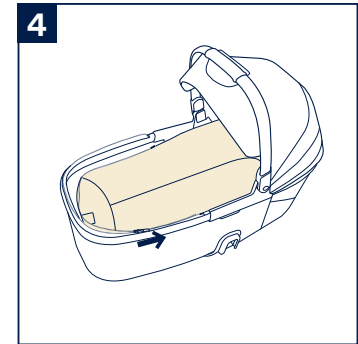
Sky Drape™

- 3 - Pull the Sky drape™ out from under the bassinet canopy (1). Then secure it to the two sides of the bassinet with magnets (2).



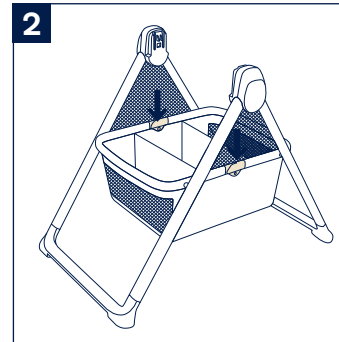
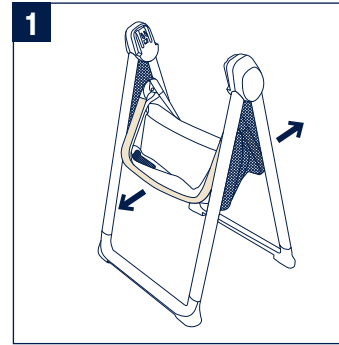
Soft Goods Removal

- 1 - To remove the bassinet cover, open the zipper.
- 2 - Remove the mattress.
To clean the mattress cover, remove the mattress before washing.
- 3 - To remove the bassinet liner, open the zipper on the back of canopy.
- 4 - Open the zipper on the front of the bassinet.
- 5 - Then open the zipper on the back of the bassinet.
- 6 - Remove the bassinet liner by unsnapping the bassinet liner from the bassinet.



Stand Setup

- 1 - Pull the ends of the storage basket frame away from each other.
 - 2 - The storage basket frame joints should lie flat before attaching an accessory.
- ⚠** Be certain the stand is fully opened before placing the bassinet or stroller seat on the stand.
Push down on the joints to ensure that the hinge is properly engaged.



Stand Use

Only use the Nuna DEMI grow bassinet or DEMI grow stroller seat on this stand.

Basket

1 - The storage basket has 3 compartments for use.

⚠ Do not place more than 10 lb (4.5 kg) in the storage basket.

Fold

2 - To fold the stand, lift the storage basket frame joints up.

Stand Use with DEMI grow Bassinet

For bassinet assembly and usage, please refer to the bassinet instructions starting on page 10.

The bassinet can be attached both ways on the stand.

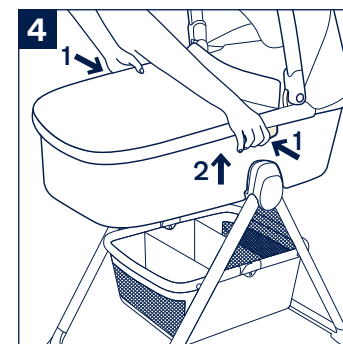
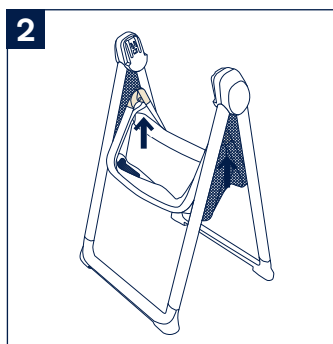
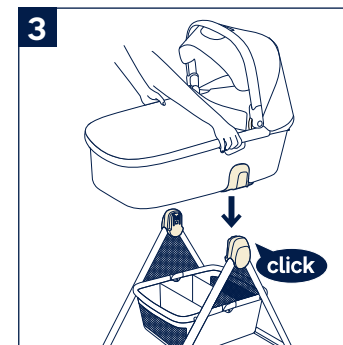
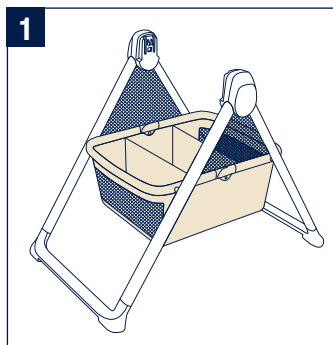
3 - To attach the bassinet, align the sides of the bassinet with the stand mounts.

Place the bassinet directly down until it clicks into place.

A “click” sound means the bassinet is attached.

4 - To remove the bassinet, squeeze the bassinet release buttons (1) and lift up (2).

⚠ Remove the bassinet before folding the stand.



Stand Use with DEMI grow Stroller Seat*

For stroller seat assembly and usage, please refer to the stroller instruction manual.

The stroller seat can be attached both ways on the stand.

⚠ The seat recline must be in the vertical position when using the seat on the stand.

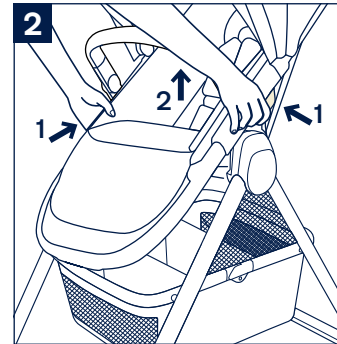
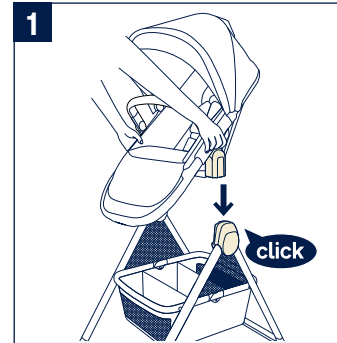
1 - To attach the stroller seat, align the sides of the stroller seat with the stand mounts.

Place the stroller seat directly down until it clicks into place.

A “click” sound means the stroller seat is attached.

2 - To remove the stroller seat, squeeze the stroller seat release buttons (**1**) and lift the stroller seat up (**2**).

⚠ Remove the stroller seat before folding the stand.



*Stroller seat sold separately

Bassinet Use on a Stroller

Bassinet Attachment on Stroller Frame

1 - To attach bassinet to the stroller frame, align the sides of the bassinet with the seat mounts.

Place the bassinet directly down until it clicks into place.

A “click” sound means the bassinet is attached completely.

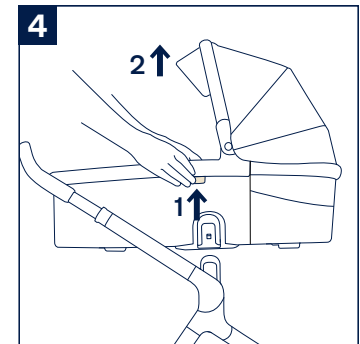
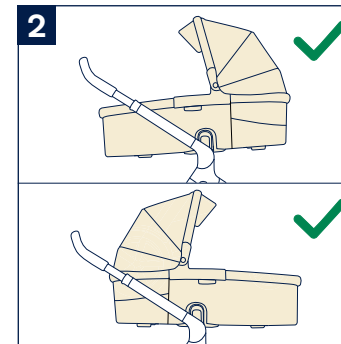
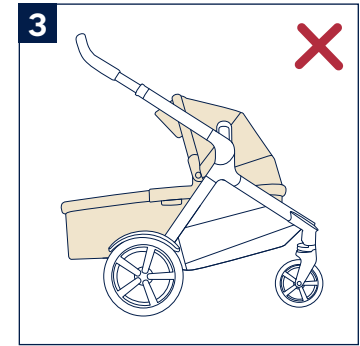
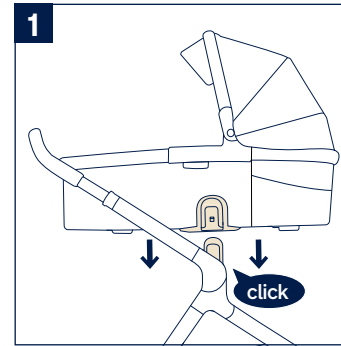
2 - The bassinet can be installed rear or forward facing on the top mount. When installing bassinet in lower mount, close the canopy.

3 - **DO NOT** use the bassinet rear facing on the lower mount.

Bassinet Removal

4 - To remove bassinet, press the bassinet release buttons (1) and lift up (2).

⚠ Remove bassinet before folding stroller.



Cleaning and Maintenance

Clean the frame, plastic parts, and fabric with a damp cloth, but do not use abrasives or bleach. Do not use silicon lubricants as they will attract dirt and grime. Do not store your stroller in a damp place.

To ensure long-lasting use, wipe this product off with a soft, absorbent cloth after using it in rainy weather and before storing away.

Refer to the care label attached to the fabric for washing and drying instructions.

It is normal for fabric to color from sunlight and to show wear and tear after a long period of use, even when used normally.

ALWAYS allow the fabric to dry naturally away from direct heat.

DO NOT leave this product exposed in the vicinity of a strong source of heat i.e. a radiator or open fire or store this product in a damp place.

For reasons of safety, only use original Nuna parts and accessories.