

**nuna®**



**cove™ aire go**  
organic cotton sheet

*Designed*  
**around your life**



**IMPORTANT!  
KEEP THESE  
INSTRUCTIONS  
FOR FUTURE  
REFERENCE:  
*READ CAREFULLY***

## **Contents**

### **Product Information**

Warranty	4
Contact	4

<b>Warnings</b>	<b>5</b>
-----------------	----------

<b>Product Use</b>	<b>6</b>
--------------------	----------

<b>Cleaning and Maintenance</b>	<b>8</b>
---------------------------------	----------

# Product Information

Model Number: \_\_\_\_\_

Manufactured in (date): \_\_\_\_\_

Please fill in the above information. The model number and the manufactured in date are located on the bottom of the carton.

## Warranty

We have purposely designed our high-quality products so that they can grow with both your child and your family. Because we stand by our product, our gear is covered by a custom warranty per product, starting from the day it was purchased. Please have the proof of purchase, model number and manufactured in date available when you contact us.

**For warranty information please visit:**

[www.nunababy.com/warranty](http://www.nunababy.com/warranty)

## Contact

For replacement parts, service, or additional warranty questions, please contact our customer service department.

**In the USA:**

[infousa@nunababy.com](mailto:infousa@nunababy.com)

[www.nunababy.com](http://www.nunababy.com)

1.855.NUNA.USA

# WARNING

Failure to follow these warnings and instructions could result in serious injury or death.

A child's safety is your responsibility. **NEVER** leave your child unattended.

Only use with Nuna COVE aire.

Prevent possible suffocation or entanglement.

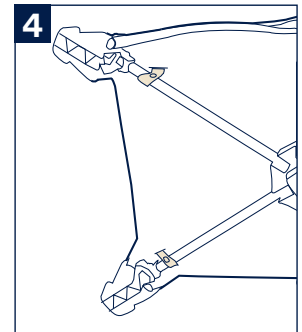
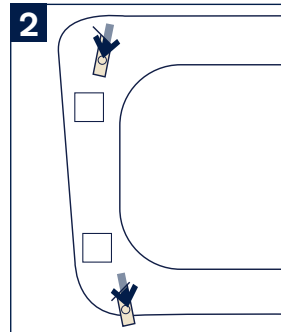
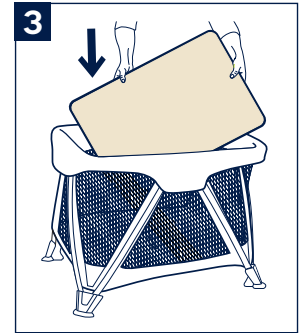
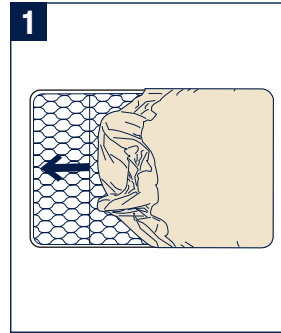
**NEVER** use the organic cotton sheet unless it fits securely on the play yard mattress. Make sure the corner straps on the mattress are attached to the play yard to keep the mattress and sheet in place.

# Product Use

**⚠ NEVER** use the sheet unless it fits securely on the mattress.

- 1** - Wrap the sheet around the four corners of the mattress. **MAKE SURE** the sheet is securely attached to all four corners. The six hook and loop patches on the underside of the sheet should be attached to the six patches on the bottom of the mattress.
- 2** - Feed the four straps with snaps (located on the corners of the mattress) through the slits in the bottom of the sheet.
- 3** - Place the mattress on the bottom of the play yard or bassinet.  
**MAKE SURE** that the six hook and loop patches on the bottom of the sheet are securely attached to the six patches on the play yard or bassinet.
- 4** - If you are placing the mattress in the play yard, feed the straps on the corners of the mattress through the slits in the bottom of the play yard. Fasten them to the snaps on the tubes.

Push down on all four corners of the mattress to ensure the mattress is secured to the bottom of the play yard.



# Cleaning and Maintenance

Refer to the care label attached to the sheet fabric for washing and drying instructions.

Nuna Baby Essentials, Inc. Nuna and all associated logos are trademarks.