

IM-00117C

bryn™



nuna®



Thank you!

You've just purchased a Nuna product, and you can be sure that your child is getting the best there is. Our products are expertly engineered for safety, with luxury fabrics and sophisticated style.

Whatever made you fall in love with Nuna, rest assured your adventures with your little one will be easier from now on, freeing you to enjoy more happy family moments together.



IMPORTANT!
KEEP THESE
INSTRUCTIONS FOR
FUTURE REFERENCE:
READ CAREFULLY

Contents

Product Information

Product Registration	4
Limited Warranty	4
Contact	5

Child Usage Requirements

6

Warnings

6

Parts List

8

Product Setup

10

Product Use - High Chair Mode

20

Product Use - Youth Mode

22

Cleaning and Maintenance

24

Product Information

Model Number: _____

Manufactured in (date): _____

Product Registration

Please fill in the above information. The model number and the manufactured in date are located on a label on the bottom of the seat. Fill out the prepaid registration postcard attached to the product and mail it today.

To register your product, please visit:

www.nunababy.com/register-gear

Limited Warranty

We have purposely designed our high-quality products so that they can grow with both your child and your family. Because we stand by our product, our gear is covered by a custom limited warranty per product, starting from the day it was purchased. Please have the proof of purchase, model number and manufactured in date available when you contact us.

For warranty information please visit:

www.nunababy.com/warranty

Contact

For replacement parts, service, or additional warranty questions, please contact our customer service department.

In the USA:

infousa@nunababy.com

www.nunababy.com

1.855.NUNA.USA

Child Usage Requirements

This product is suitable for use with children who can sit upright unassisted (approximately 6 months old), up to 6 years old or 60 lb (whichever comes first).

High Chair Mode:

- With armband and tray attached, or with armband only
- **ALWAYS** use harness and backrest

Youth Mode:

- When child can climb in unassisted (approximately 3 years old)
- Without armband, tray, harness, and seat pad
- **ALWAYS** use backrest

WARNING

Failure to follow these warnings and instructions could result in serious injury or death.

ALWAYS use BRYN on a level, stable surface.

- The child should be secured in the high chair at all times by the restraint system.
- The tray and armband are not designed to hold the child in the chair.
- It is recommended that the high chair be used only by children capable of sitting upright unassisted.

FALL HAZARD: Children have suffered severe head injuries including skull fractures when falling from high chairs. Falls can happen suddenly if child is not restrained properly.

- Always use the restraints, and adjust to fit snugly.
- Tray is not designed to hold child in chair.
- Never leave child unattended.
- Stay near and watch child during use.

STRANGULATION HAZARD Do not place this product in any location where there are cords, such as window blind cords, drapes, phone cords, etc.

Discontinue use of this product when child reaches 6 years of age or 60 lb, whichever comes first.

To avoid any danger of suffocation, remove all plastic covers before using this product and destroy or keep away from babies and children!

Discontinue using these products should they become damaged or broken.

Use original Nuna parts and accessories only. If refinishing, use a nontoxic finish specified for children's products.

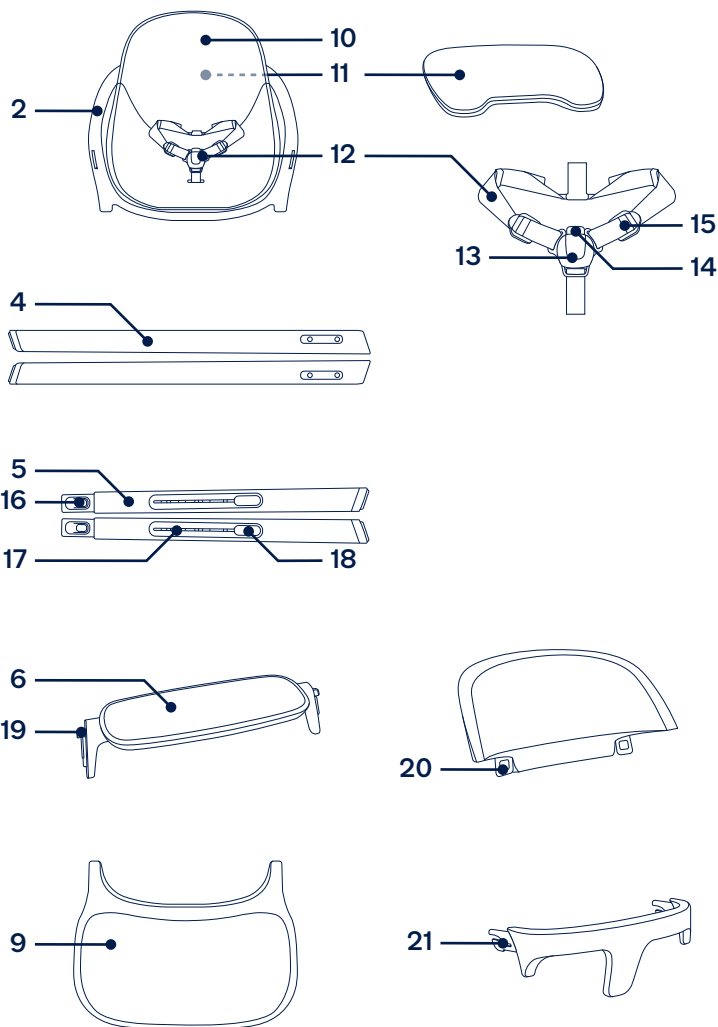
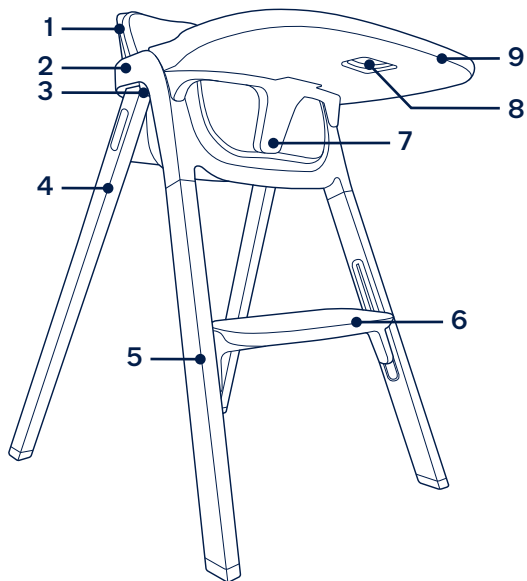
Magnetic Harness Buckle

The buckle and buckle clips contain magnets. If your child has a medical condition that prohibits the use of magnets near the child, do not use the highchair. Call Nuna to arrange an alternative product or different restraint solution. Be mindful of the possible interaction of magnets in buckles and certain electronic devices.

Parts List

Check that you have all the parts for this product before assembling it. Adult assembly required.

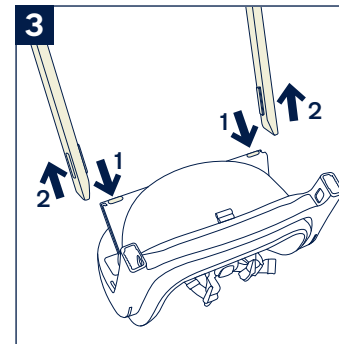
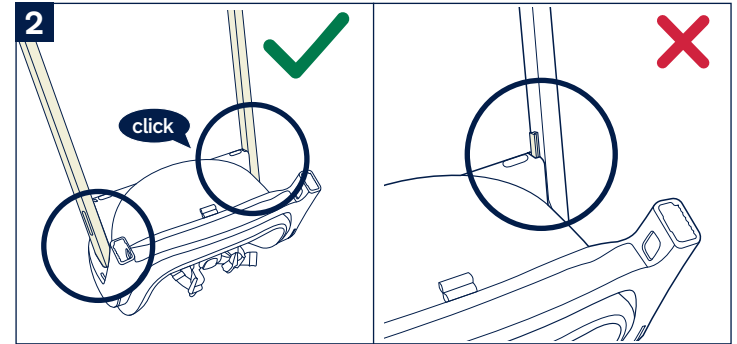
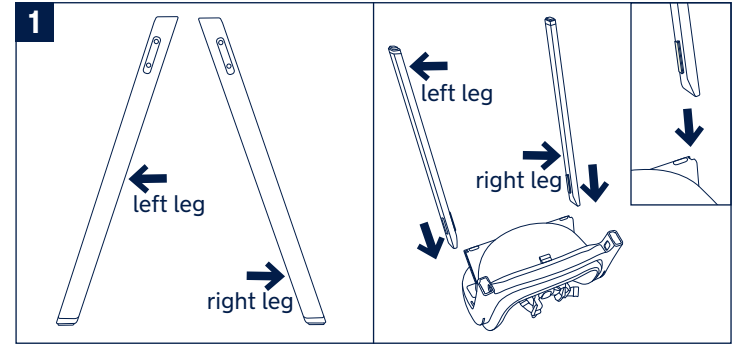
- | | |
|-----------------------------|----------------------------|
| 1 Backrest | 12 Harness |
| 2 Seat | 13 Magnetic Buckle |
| 3 Armbar Release Buttons | 14 Buckle Release Button |
| 4 Rear Leg (x2) | 15 Adjustment Straps |
| 5 Front Leg (x2) | 16 Front Leg Attachment |
| 6 Footrest | 17 Footrest Slot |
| 7 Armbar | 18 Footrest Release Button |
| 8 Tray Release Button | 19 Footrest Mount |
| 9 Tray | 20 Backrest Mounts |
| 10 Seat Pad | 21 Armbar Mount |
| 11 Insert (inside seat pad) | |



Product Setup

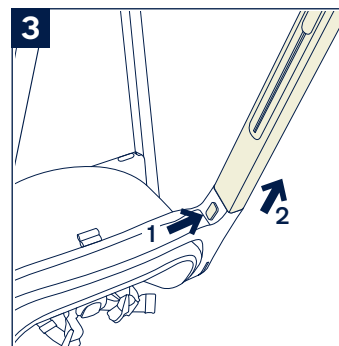
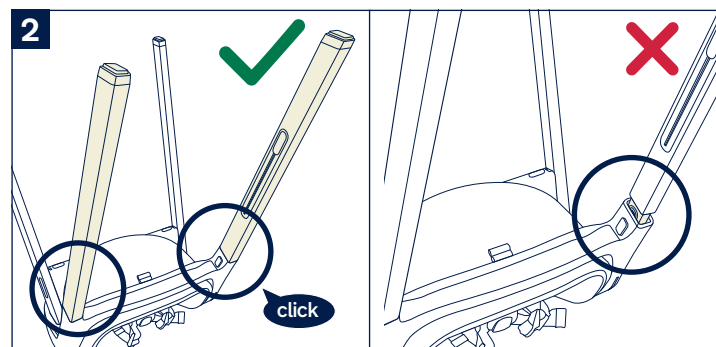
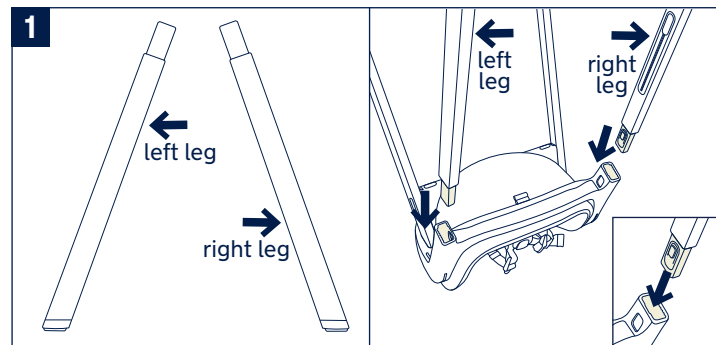
Rear Legs

- 1 - With the bottom of the seat facing upwards, slide the rear leg into the slot on the side of the seat.
- 2 - A “click” indicates the leg is attached. Pull on the leg to check. If the leg is attached properly, the tab on the rear leg will be completely inside the slot.
- 3 - To remove, press the rear leg release button on the bottom of the seat (1) and pull the rear leg out of the slot (2).



Front Legs

- 1 - With the bottom of the seat facing upwards, slide the front leg into the slot on the side of the seat.
- 2 - A “click” indicates the leg is attached. Pull on the leg to check. If the leg is attached properly, the front leg attachment will be completely inside the slot.
- 3 - To remove, press the front leg release button on the seat (1) and pull the front leg out of the slot (2).



Footrest

1 - With the Nuna logo facing out, align the footrest mounts on both sides with the footrest slots on the front legs.

2 - Push the footrest mounts out on both sides simultaneously, using them to press on the footrest release buttons.

3 - While pressing on the release buttons (step 2), slide the footrest mounts up into the footrest slots simultaneously.

A “click” indicates the footrest is attached. Push down on the footrest to check.

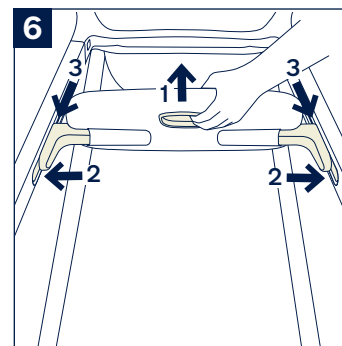
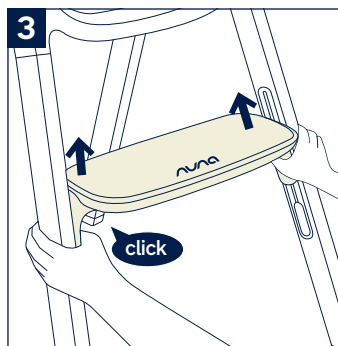
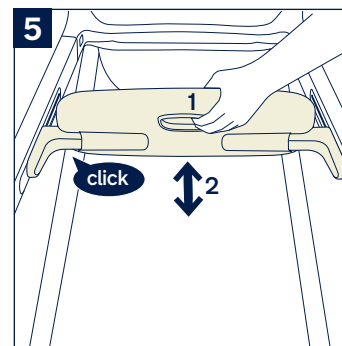
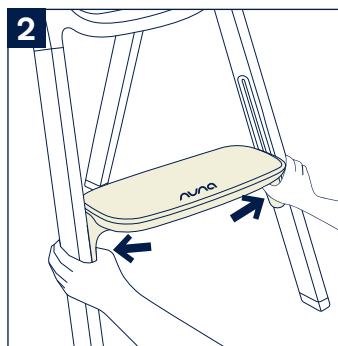
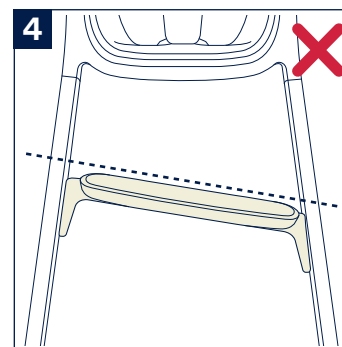
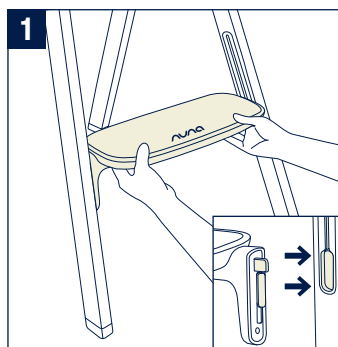
4 - The footrest must be level.

5 - The footrest has 3 positions. To adjust the position, squeeze and hold the footrest adjustment button on the bottom of the footrest (**1**), and slide the footrest up or down (**2**).

A “click” indicates the footrest is locked in position. Push down on the footrest to check.

The footrest must be level.

6 - To remove, simultaneously squeeze the footrest adjustment button (**1**) and press the footrest release button (**2**) on one side so the footrest is unlocked on that side. Repeat on the other side. Then slide the footrest down and out of the footrest slots (**3**).



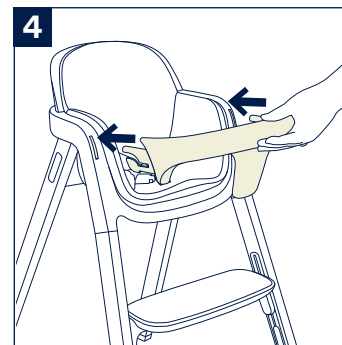
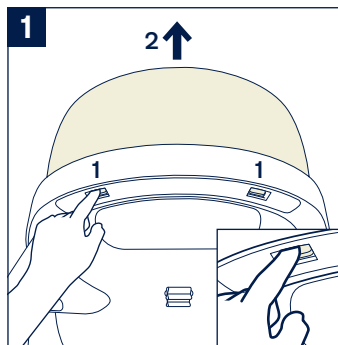
Backrest

1 - To remove, press the backrest mounts forward towards the front of the chair (**1**), and pull the backrest up and out of the seat (**2**).

⚠ The backrest should only be removed for cleaning. Do not use the high chair without the backrest attached.

2 - To attach, slide the backrest mounts into the slots on the top of the seat.

3 - A “click” indicates that the backrest is attached. Pull up on the backrest to check.



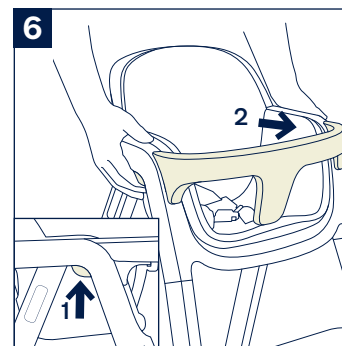
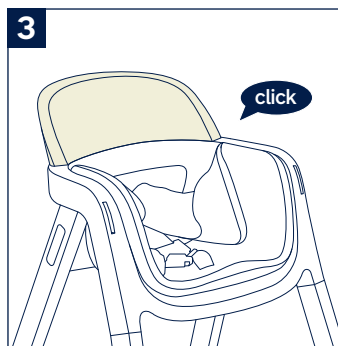
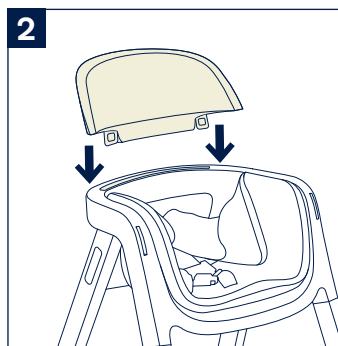
Armbar

⚠ The armbar is not intended to restrain your child. **ALWAYS** secure your child with the harness restraint.

4 - Slide the armbar mounts into the slots on the front of the seat.

5 - A “click” indicates that the armbar is attached. Pull on the armbar to check.

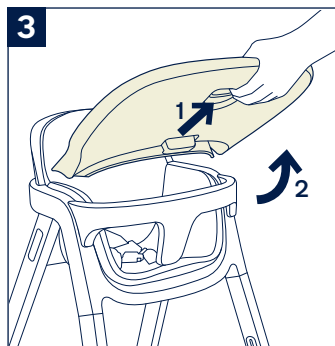
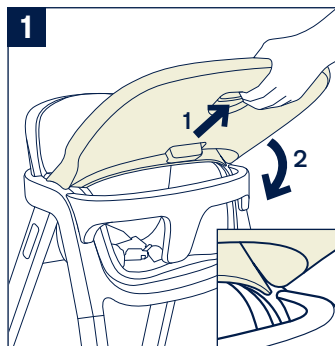
6 - To remove, press the armbar release buttons (**1**) and slide the armbar out of the seat (**2**).



Tray

⚠ The tray and armbar are not intended to restrain your child. **ALWAYS** secure your child with the harness restraint.

- 1** - To attach the tray to the armbar, align the open ends of the tray with the top of the armbar. Squeeze the tray release button **(1)** and pivot the tray down **(2)**.
- 2** - A “click” indicates that the tray is attached. Pull up on the tray to check.
- 3** - To remove, squeeze the tray release button **(1)** and lift the tray off the armbar **(2)**.



Product Use - High Chair Mode

1 - This product can be used as a high chair with the armbar and tray attached, or with just the armbar. **ALWAYS** use the harness.

Insert

2 - Remove the insert before washing the seat pad. To remove, pull the insert through the hole in the seat pad.

Securing Child

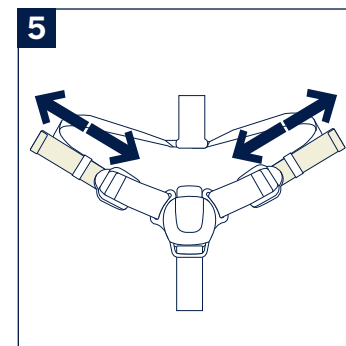
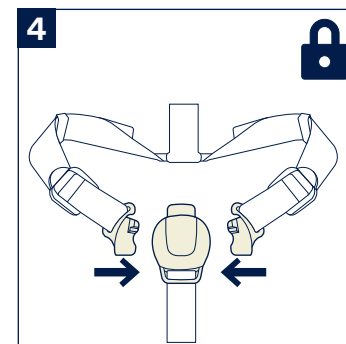
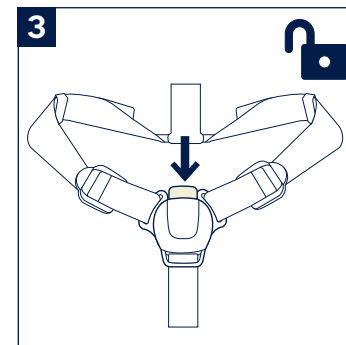
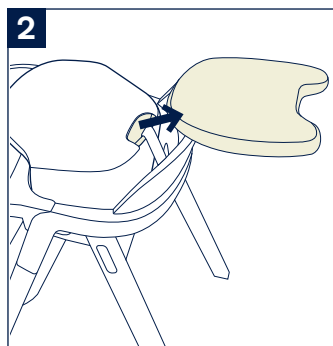
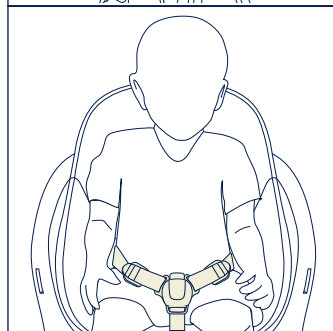
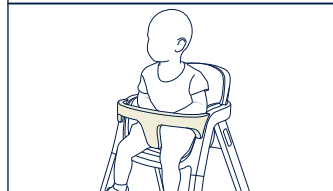
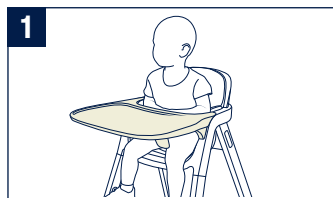
⚠ When using this product as a high chair, the child must always wear the harness restraint correctly fitted and adjusted.

⚠ Belts must not be twisted.

3 - Press the buckle release button and remove the magnetic clips. Place your child in the seat.

4 - Secure the waist buckles around your child with the magnetic clips.

5 - Slide the adjustment straps to tighten or loosen the waist belt as needed.



Product Use - Youth Mode

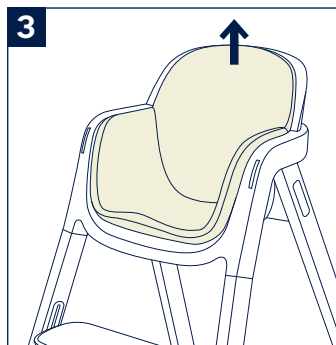
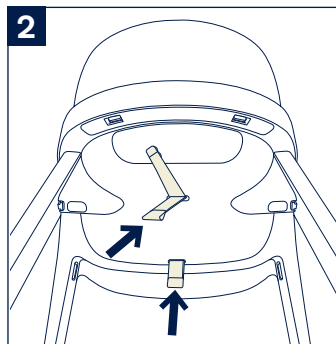
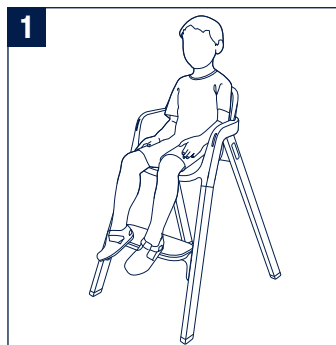
1 - This product can be used as a youth chair once the child can climb up unassisted (approximately 3 years old).

⚠ Discontinue use of this product when the child reaches 6 years of age or 60 lb, whichever comes first.

⚠ When using this product in youth mode, the harness and seat pad must be removed.

2 - Slide the harness crotch strap and waist straps out of the slots in the seat. Pull the harness away from the seat to remove.

3 - Remove the seat pad.



Cleaning and Maintenance

Refer to the care label attached to the seat pad for washing and drying instructions.

Remove the insert before washing the seat pad.

Clean the high chair and accessories with a damp cloth or a neutral detergent, but do not use abrasive detergents or solvents which could damage the materials.

Continued and extended exposure to sunlight can change the color of many materials.

Inspect your high chair regularly in order to detect any damage.



Nuna Baby Essentials, Inc.
70 Thousand Oaks Blvd. | Morgantown, PA 19543
1.855.NUNA.USA | nunababy.com