

aaceTM



AVVA[®]

Thank you!


You've just purchased a Nuna product, and you can be sure that your child is getting the best there is. Our products are expertly engineered for safety, with luxury fabrics and sophisticated style.

Whatever made you fall in love with Nuna, rest assured your adventures with your little one will be easier from now on, freeing you to enjoy more happy family moments together.

Easy Installation

Our products are designed to make your life easier, so installing this child restraint doesn't require outside assistance. While we encourage the use of Certified Child Passenger Safety Technicians to ensure you have installed the seat correctly, you can install the child restraint in your vehicle without these professionals by carefully reading and following these instructions.



 **WARNING:** Carefully read and understand all instructions and warnings in this manual, and those labeled on your Child Restraint. Failure to do so can result in the **SERIOUS INJURY** or **DEATH** of your child. Store manual in pocket at rear of base for future use.

Contents

Product Information	4–5
Product Registration	4
Recall Information	4
Warranty	5
Contact	5
Child Usage Requirements	6
Warnings	7–11
Car Seat Use after a Crash	12
Parts List	13
Vehicle Seat Belt Systems	14
Child Restraint Overview	16–35
Seat Assembly	16
Side Impact Protection (SIP) Pods	16
Seat Adjustment for Head Support and Shoulders	16
Seat Adjustment for Seat Bottom	18
Use of Lower Anchor Connectors	18
Use as a High Back Belt Positioning Booster	22
Securing a Child in the High Back Booster Mode	26
Use as a No Back Belt Positioning Booster	28
Securing a Child in the No Back Booster Mode	30
Use of Shoulder Belt Positioning Clip	32
Cup Holder Assembly	34
Detach Covers	34
Cleaning and Maintenance	36

Product Information

Model Number: _____

Manufactured in (date): _____

Product Registration

Please fill in the above information. The model number and the manufactured in date are located on a label on the bottom of your child restraint. Fill out the prepaid registration postcard attached to the seat pad and mail it today.

Child restraints could be recalled for safety reasons. You must register this restraint to be reached in a recall. Send your name, address, e-mail address if available and the Child Restraint's model number and manufacturing date to:

Nuna Baby Essentials Inc.
70 Thousand Oaks Blvd., Morgantown, PA 19543
or call 1.855.NUNA.USA

Recall Information

For recall information, call the U.S. Government's Vehicle Safety Hotline at: 1.888.327.4236 (TTY: 1.800.424.9153) or go to <http://www.NHTSA.gov>

Warranty

We have purposely designed our high-quality products so that they can grow with both your child and your family. Because we stand by our product, our gear is covered by a custom warranty per product, starting from the day it was purchased. Please have the proof of purchase, model number and manufactured in date available when you contact us.

For warranty information please visit:
www.nunababy.com/warranty

Contact

For replacement parts, service, or additional warranty questions, please contact our customer service department.

In the USA:
infousa@nunababy.com
www.nunababy.com
1.855.NUNA.USA

Child Usage Requirements

High Back Belt Positioning Booster

Your child must meet ALL of the following requirements below:

Age: At least 4 years old

Weight: 40–110 lb (18.1–49.9 kg)

Height: 38–60 inches (96.5–152.4 cm) tall

No Back Belt Positioning Booster

Your child must meet ALL of the following requirements below:

Age: At least 5 years old

Weight: 50–120 lb (22.6–54.4 kg)

Height: 38–60 inches (96.5–152.4 cm) tall



⚠ WARNING
DEATH OR SERIOUS INJURY CAN OCCUR,

Read all instructions before using this booster seat.

Keep instructions for further use.

Use the bottom of the booster seat base for storage of the instructions.

Read the instructions for this child restraint before use or installation in a vehicle. In addition, read the vehicle owner's manual for information on child restraint installation. Failure to follow the child restraint instruction manual or the labels on this product can result in **DEATH** or **SERIOUS INJURY**.

DO NOT allow anyone who has not read the instructions to install or use this booster seat.

WARNING! Use only the vehicle's lap and shoulder belt system when restraining the child in this booster seat.

Use **ONLY** with children who weigh between 40–120 lb (18.1–54.4 kg) and whose height is 38 to 60 inches (96.5 to 152.4 cm)

High Back Belt Positioning Booster seat: At least four years old, 40–110 lb (18.1–49.9 kg), 38–60 inches (96.5–152.4 cm) tall

No Back Belt Positioning Booster seat: At least five years old, 50–120 lb (22.6–54.4 kg), 38–60 inches (96.5–152.4 cm) tall

This restraint is not certified for aircraft use.

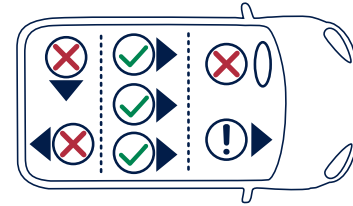
DO NOT use booster if it is more than 10 years old. Check the manufacturer’s label or stamped ‘do not use after’ date on the bottom of the booster.

DO NOT use another manufacturer’s soft goods with this booster as the soft goods constitute an integral part of the booster performance.

DO NOT use in any configuration not shown in the instructions.

DO NOT install rear facing or side facing.

DO NOT install in the front passenger seat with an active airbag, unless the air bag can be turned **OFF**.



Please refer to vehicle owner’s manual for recommended or suggested installation positions.

This booster must be installed in the rear vehicle seat.

NEVER leave your child unattended.

Properly position the Vehicle Lap & Shoulder Belt on your child. A loose or improperly positioned Vehicle Lap & Shoulder Belt could cause the child to be ejected in a sudden stop, turn or crash and cause serious injury or death.

Make sure the Vehicle Lap & Shoulder Belt are not loose.

The Vehicle Shoulder Belt should rest on the child's shoulder and across the center of the chest.

The Vehicle Lap Belt must remain snug across the child's thighs.

NEVER leave a booster unsecured in your vehicle. An unsecured booster can be thrown around and may injure occupants in a sharp turn, sudden stop or crash. Remove it or make sure that it is secured in the vehicle.

NEVER leave luggage or other objects unsecured in a vehicle, as they are liable to cause injuries in the event of a collision.

NEVER use a booster if it has damaged or missing parts. **DO NOT** use a cut, frayed or damaged vehicle seat belt.

NEVER use a car seat that has been involved in a moderate to severe crash. **See page 12** to learn the difference between a minor and moderate to severe crash.

DO NOT modify your booster or use any accessories or parts supplied by other manufacturers.

The booster can become very hot if left in the sun. Contact with these parts can burn your child's skin. Always touch the surface of any metal or plastic parts before placing your child in the booster.

According to accident statistics, children are safer when properly restrained in the rear seating positions of the vehicle than in the front seating positions.

For a vehicle with a front passenger air bag, refer to your vehicle owner's manual as well as these instructions for a booster installation.

NEVER give this booster to another person without also giving them these instructions.

Car Seat Use after a Crash

The National Highway Traffic Safety Administration (NHTSA) recommends that car seats be replaced following a moderate or severe crash. Car seats do not automatically need to be replaced following a minor crash.

A minor crash is one in which **ALL** of these apply:

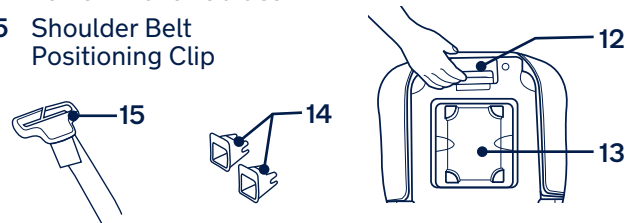
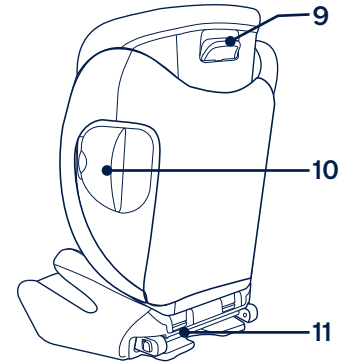
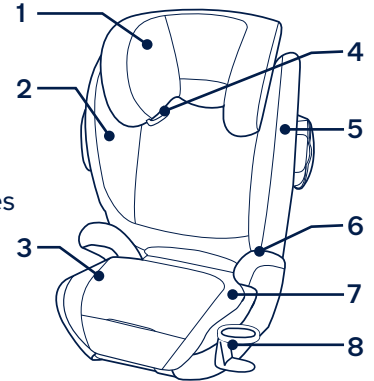
- The vehicle was able to be driven away from the crash site.
- The vehicle door nearest to the car seat was not damaged.
- None of the passengers in the vehicle sustained any injuries in the crash.
- If the vehicle has air bags, none of the air bags deployed during the crash; and
- There is no visible damage to the car seat.

Any crash that does not meet all of the above criteria for a minor crash is considered a moderate to severe crash. **NEVER** use a car seat that has been involved in a moderate to severe crash.

Information from nhtsa.gov

Parts List

- 1 Head Support
- 2 Side Support
- 3 Seat Covers
- 4 Shoulder Belt Guides
- 5 Seat Back
- 6 Armrest
- 7 Seat Bottom
- 8 Cup Holder
- 9 Head Support Adjustment Lever
- 10 Side Impact Protection (SIP) Pod
- 11 Lower Anchor Connectors
- 12 Lower Anchor Release Lever or Recline Lever (under seat)
- 13 Instructional Manual (under seat)
- 14 Lower Anchor Guides
- 15 Shoulder Belt Positioning Clip



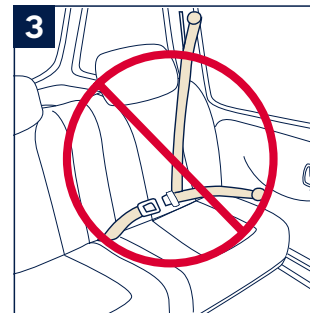
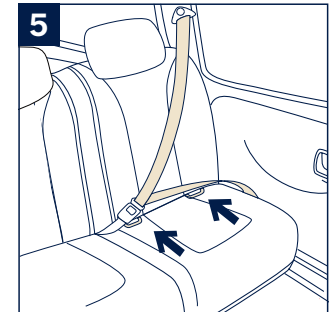
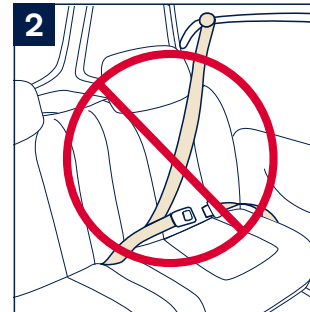
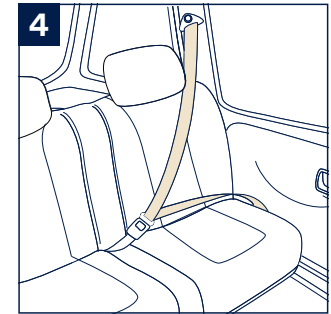
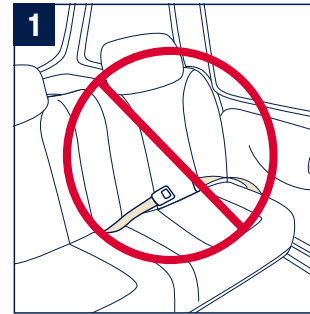
Vehicle Seat Belt Systems

- 1 - **DO NOT** install the booster on vehicle seats with Lap Belts only.
- 2 - **DO NOT** install the booster on vehicle seats with lap belts and motorized shoulder belts.
- 3 - **DO NOT** install the booster on vehicle seats with belts that are attached to the door or that move along a track.
- 4 - This booster seat must be installed in vehicle seats with 3-point seat belts (lap and shoulder belts).
- 5 - This booster seat can be installed with lap and shoulder belts in a vehicle seat that includes Lower Anchors. The Lower Anchors must be at standard spacing 11" only. Please refer to the vehicle owner's manual for designated Lower Anchor locations in the vehicle.

The child must be restrained using the Vehicle Shoulder Belt and Lap Belt.

DO NOT use the Lower Anchors to restrain the child. The Lower Anchors are only to be used for securing the booster seat in the vehicle and to function the recline feature in the High Back booster mode. The Lower Anchors can only be used in the No Back booster mode for securing the booster seat in the vehicle.

The recline feature is **NOT** available in the No Back booster mode.



Child Restraint Overview

Seat Assembly

- 1 - With the seat lying flat, attach the Seat Back to the booster Seat Bottom by hooking the Seat Back hooks over the Seat Bottom as shown.
- 2 - Now rotate the Seat Back up until it clicks into position and the seat is fully upright as shown.

Side Impact Protection (SIP) Pods

- 3 - To open the SIP Pods pull out on the side tab.
- 4 - To close push button (1) and push in (2).

SIP Pods should be deployed whenever the Child Restraint is installed in a vehicle.

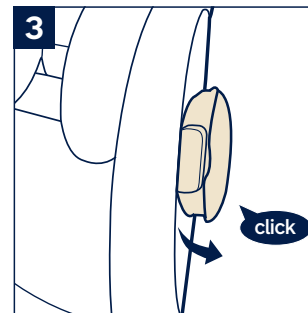
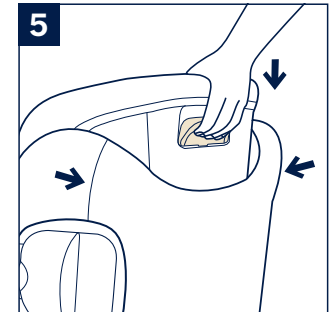
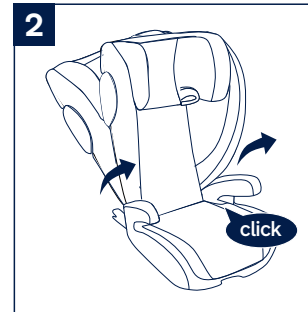
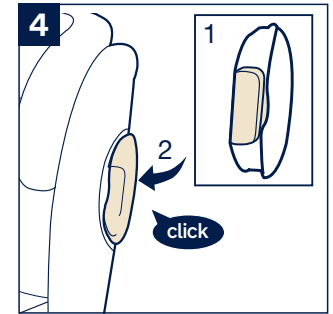
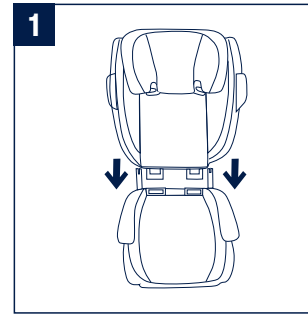
Seat Adjustment for Head Support and Shoulders

The Head Support height can be adjusted for best fit to your child and proper placement of the Vehicle Shoulder Belt. Before adjusting the Head Support height have your child lean forward slightly.

Bottom of Head Support **MUST** be even with the top of your child's shoulder.

- 5 - To adjust, squeeze the Head Support Adjustment Lever, then pull up or push down the Head Support until it locks into one of the nine positions.

As the Head Support is adjusted up, the sides of the seat automatically move outward to provide more shoulder room.



Seat Adjustment for Seat Bottom

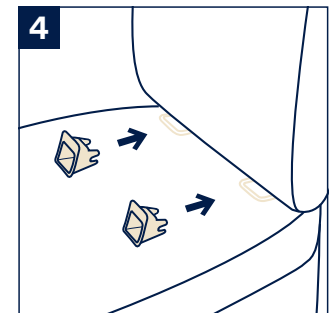
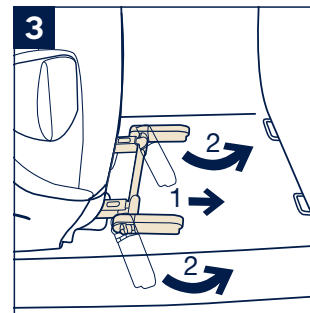
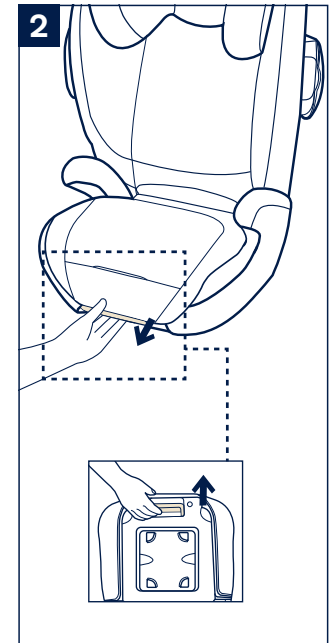
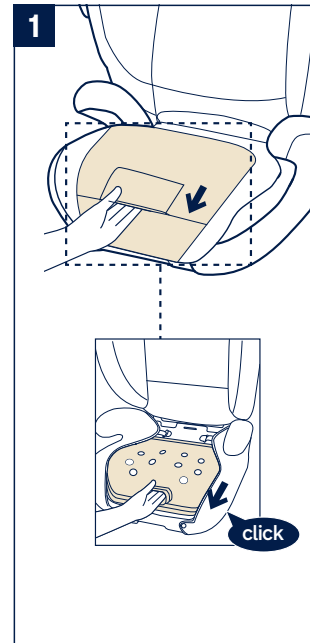
The seat bottom depth can be adjusted for added comfort for the child. Three positions are provided for best fit.

- 1 - Reach under the cover to adjust the seating surface. Slide the seating surface in or out as needed for additional thigh support.

Use of Lower Anchor Connectors

If vehicle is equipped with Lower Anchors they may be visible in the vehicle seat where the vehicle seat back meets the vehicle seat bottom. See your vehicle owner's manual for exact locations, Lower Anchor identification, and requirements for use.

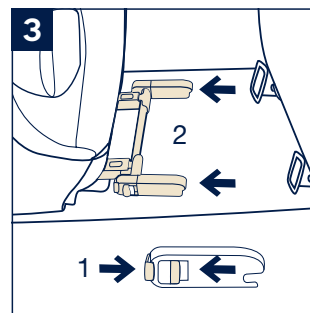
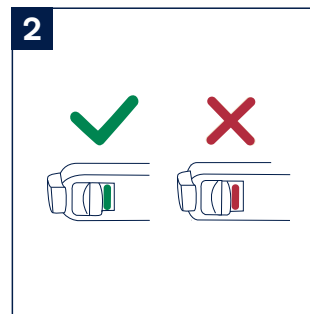
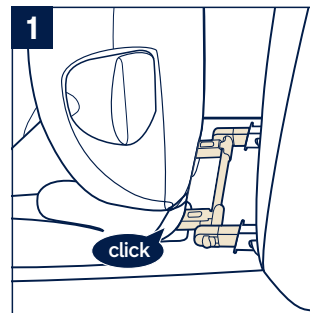
- 2 - To use the Lower Anchor Connectors, release the connectors by pulling and holding the Lower Anchor Release Lever on the bottom of the booster seat.
- 3 - While holding the Lower Anchor Release Lever, pull out and fully extend the Lower Anchor Connectors (1) and rotate them 180 degrees (2) until they are pointing toward the Lower Anchors in the vehicle.
- 4 - To ease attachment of the Lower Anchor Connectors, if desired, attach the provided Nuna Lower Anchor Guides by hooking them onto the vehicle Lower Anchors.



- 1 - Line up the Lower Anchor Connectors with the vehicle's Lower Anchors and press both connectors firmly until a click is heard and both are securely fastened.

Make sure that both Lower Anchor Connectors are securely attached to the vehicle's Lower Anchors.

- 2 - The Lower Anchor Connectors will both show green when secured properly. (Check to make sure the booster seat is securely installed by pulling out on both the Lower Anchor Connectors.)
- 3 - To detach the Lower Anchor Connectors from the vehicle, move seat bottom out to position 8, then squeeze the release buttons on the Lower Anchor Connectors (1) while pulling out. (2)



Use as a High Back Belt Positioning Booster

- 1** - Your child must meet **ALL** of the following requirements below:

Age: At least 4 years old

Weight: 40–110 lb (18.1–49.9 kg)

Height: 38–60 in (96.5–152.4 cm) tall



- 2** - Your booster has two seat back positions as shown, fully upright (**1**) and reclined (**2**).

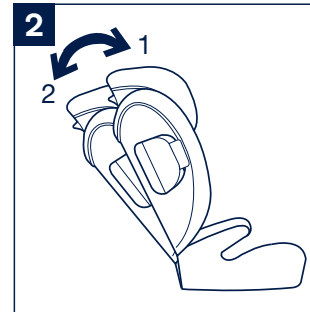
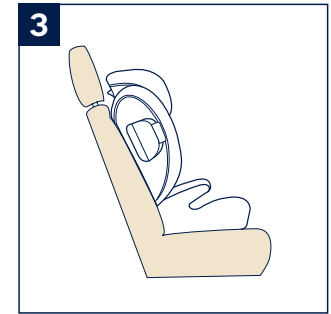
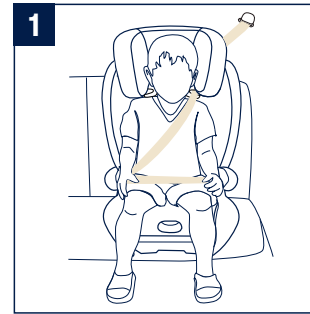
Use without Lower Anchors

- 3** - The back of the booster seat **MUST** fit tightly against the back of the vehicle seat back when not using the Lower Anchors. Adjust or remove the vehicle headrest as needed to remove interference.

If you remove your vehicle headrest, be sure to stow it in a secure place; check your vehicle owner's manual.

- 4** - Do not use with seat back beyond position 2.

The front of the booster **MUST NOT** hang over the front of the vehicle seat.



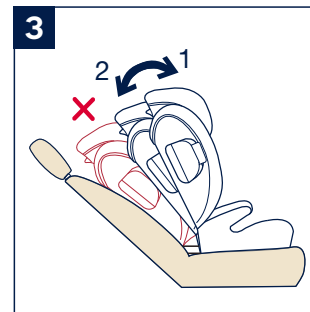
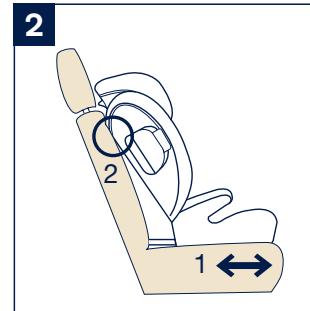
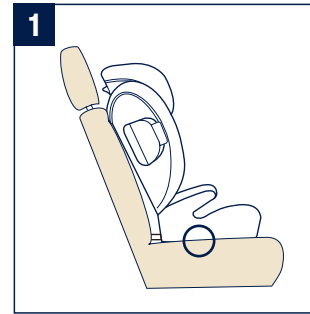
Use with Lower Anchors and Recline Feature

The booster has a recline feature to best fit your vehicle and provide maximum comfort to your child.

- 1 - Place vehicle seat back in normal upright position. Connect booster to vehicle Lower Anchors (see Use of Lower Anchors). Ensure bottom of booster is in full contact with vehicle seat.
- 2 - Adjust the seat bottom by holding the Recline Lever and moving the seat in or out to obtain desired recline as shown in (1). Ensure the back of the booster is in contact with vehicle seat as shown in (2). Adjust or remove vehicle headrest as needed to remove interference.

If you remove your vehicle headrest, be sure to stow it in a secure place; check your vehicle owner's manual.

- 3 - **▲ WARNING: NEVER** use booster when reclined beyond the recline position 2.



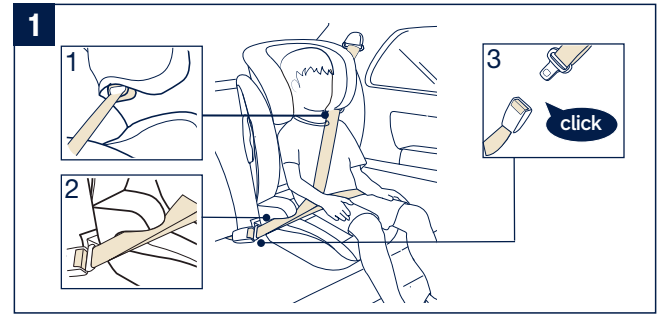
Securing a Child in the High Back Booster Mode

- 1 - With the booster correctly positioned in the vehicle, raise the Head Support and route the Vehicle Shoulder Belt through the **RED** shoulder belt guide (1). The bottom of the Head Support should be at the top of the child's shoulder. Route the Vehicle Shoulder Belt across the child's chest through the **RED** lower belt path, located under the armrest, toward the vehicle buckle (2). Then secure the vehicle buckle and listen for a "click." The vehicle lap belt must lie flat and snug across the child's thighs. The Vehicle Lap Belt must be positioned low on the pelvis (3).

DO NOT position the Vehicle Lap Belt over the armrest. It must pass under the armrest.

Make sure the Vehicle Shoulder Belt is routed completely through the shoulder belt guide.

- 2 - To properly adjust the Head Support, have your child sit in the booster with their back flat against the back of the booster seat. The correct Head Support height is obtained when the bottom of the Head Support is even with the top of your child's shoulders and the Vehicle Shoulder Belt is laying flat across their chest. Pull up towards the vehicle belt retractor to remove slack.
- 3 - The Vehicle Shoulder Belt must route completely through the **RED** Shoulder Belt Guide and not fall off the child's shoulder.



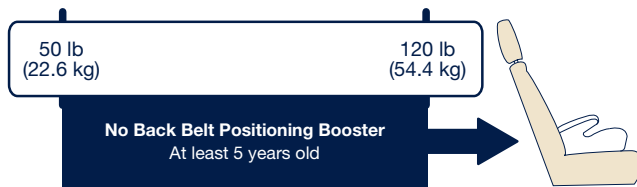
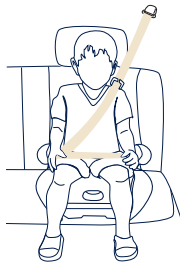
Use as a No Back Belt Positioning Booster

1 - Your child must meet ALL of the following requirements below:

Age: At least 5 years old

Weight: 50–120 lb (22.6–54.4 kg)

Height: 38–60 inches (96.5–152.4 cm) tall



The No Back Booster can be installed with or without the Lower Anchor Connectors.

If installing without the Lower Anchor Connectors, ensure the Lower Anchor Connectors are stored in the seat bottom, refer to “Use of Lower Anchor Connectors.” If the seat back is attached, remove the seat back by reversing the steps shown in “Seat Assembly.”

Installing without Lower Anchor Connectors

Place the back of the booster against the back of the vehicle seat back.

In the No Back Booster mode, the recline function cannot be used.

Installing with Lower Anchor Connectors

Remove the seat back by reversing steps shown in “Seat Assembly.”

Connect the Lower Anchor Connectors to the vehicle’s Lower Anchors. See “Use of Lower Anchor Connectors.”

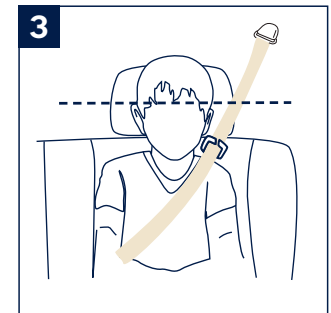
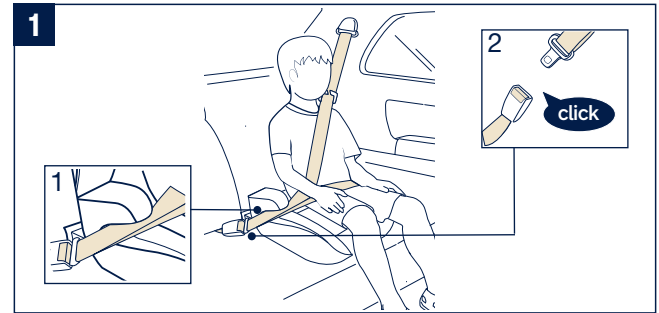
While holding the Lower Anchor Release Lever, adjust the booster until it is in contact with the vehicle’s seat back. Refer to “Use of Lower Anchor Connectors.”

Securing a Child in the No Back Booster Mode

With the booster correctly positioned in the vehicle, have the child sit on the booster seat with their back against the vehicle's seat back.

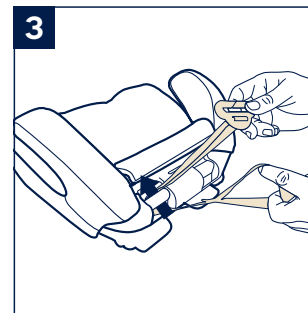
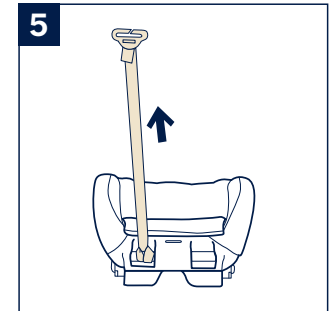
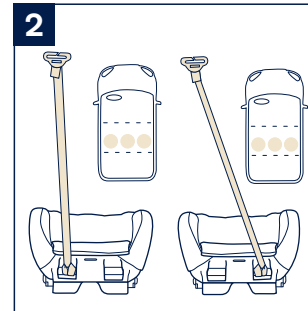
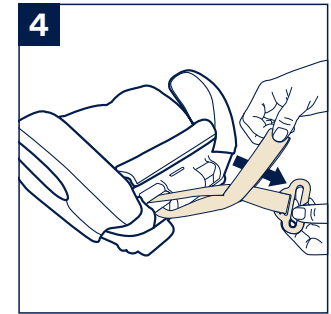
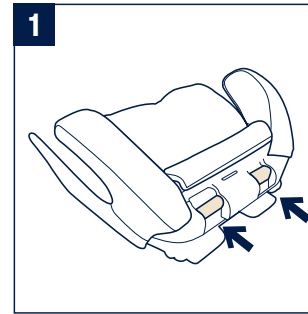
- 1 - Route the Vehicle Belt through the **RED** lower belt path, located under the armrest (1) and toward the vehicle buckle then secure the vehicle buckle and listen for a “click” (2). The Vehicle Shoulder Belt should lie flat across the child's chest and the Vehicle Lap Belt should be snug across the child's thighs. The shoulder belt must lie across the child's shoulder.
- 2 - If the Vehicle Shoulder Belt falls outside the blue zone shown in image, use the Shoulder Belt Positioning Clip for proper placement of the Vehicle Shoulder Belt. Refer to Shoulder Belt Positioning Clip.
- 3 - Route the Vehicle Shoulder Belt through the Shoulder Belt Positioning Clip. Adjust the Shoulder Belt Positioning Clip by pulling down on the strap so the Shoulder Belt Positioning Clip is slightly above the child's shoulder as shown.

The top of the child's ears should be **AT** or **BELOW** the top of the vehicle seat back or the vehicle's headrest.



Use of Shoulder Belt Positioning Clip

- 1 - The Shoulder Belt Positioning Clip must be attached to the horizontal bar located on either side of the booster seat bottom.
 - 2 - The Shoulder Belt Positioning Clip can be installed on either side of the booster to achieve the best fit for your child in your vehicle.
 - 3 - Insert the loop end of the strap around the horizontal bar on the back of the booster.
 - 4 - Pass the Shoulder Belt Positioning Clip through the loop
 - 5 - Pull up on the strap.
- 6 - It is important for the Vehicle Shoulder Belt to fall within the blue zone, shown in illustration.**



Cup Holder Assembly

- 1 - Insert the Cup Holder clip into the opening on either side of seat.
- 2 - Make sure the Cup Holder clip is fully inserted into both the fabric and plastic slot on booster.

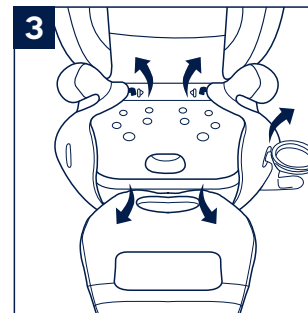
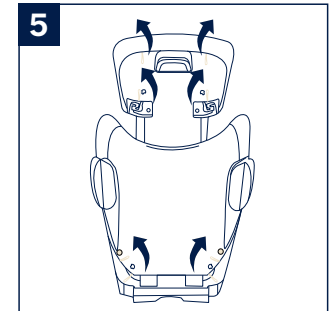
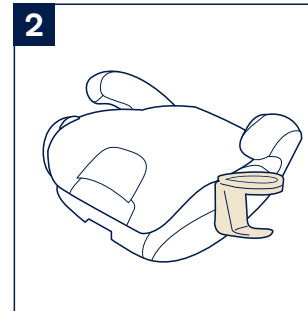
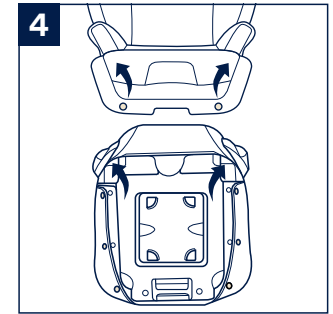
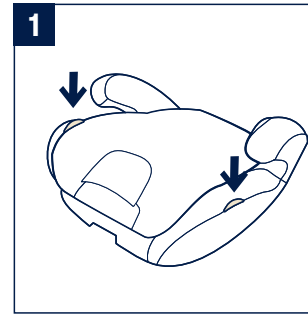
Never place hot liquids in the Cup Holder.

Detach Covers

- 3 - Remove the Cup Holder and pull out the seat bottom fabric by removing the 3 plastic attachments.
- 4 - Open 8 snaps on seat bottom and remove cover.
- 5 - On the main seat back cover, open the 2 snaps and unhook 4 elastic bands on the back side and remove. On the Head Support, raise to highest position, then unhook 4 elastic bands and remove.

To reassemble the covers simply reverse the steps above.

Use care not to damage energy absorbing foam when removing seat covers.



Cleaning and Maintenance

Refer to the care label attached to the soft goods for washing and drying instructions.

Use only mild detergent, water and a soft cloth to clean the booster seat shell, handle and harness straps. Air dry.

Remove the child restraint from the vehicle seat if not in use for a long period of time. Put the booster seat in a cool, dry place and somewhere your child cannot access it.

It is normal for fabric to color from sunlight and to show wear and tear after a long period of use, even when used normally.

Check regularly if everything functions properly. If any parts are torn, broken, or missing, stop using this product.

Nuna Baby Essentials, Inc. Nuna and all associated logos are trademarks.