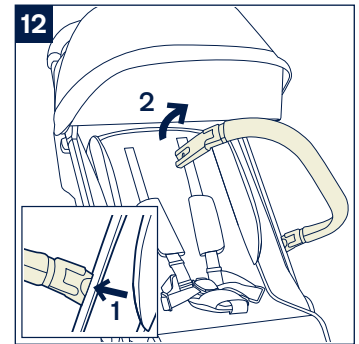
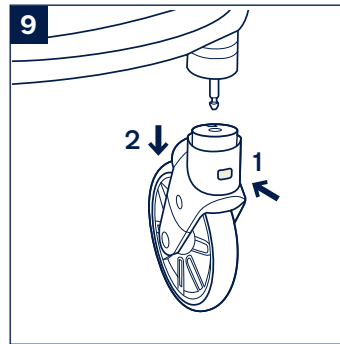
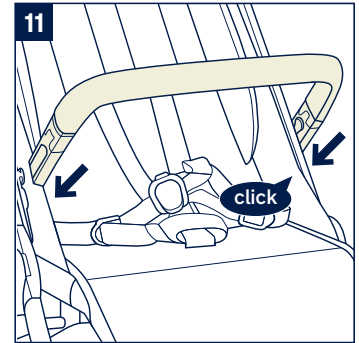
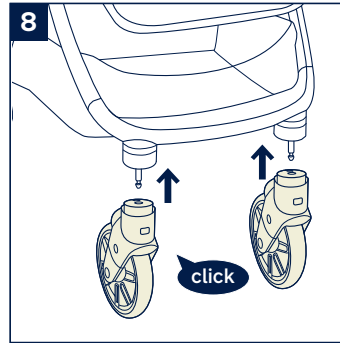
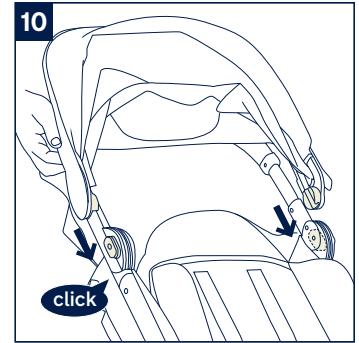
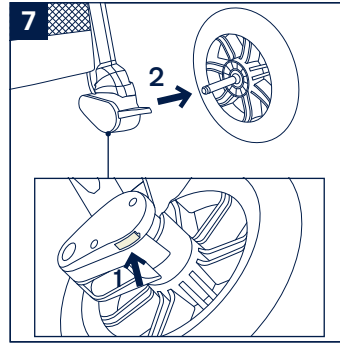
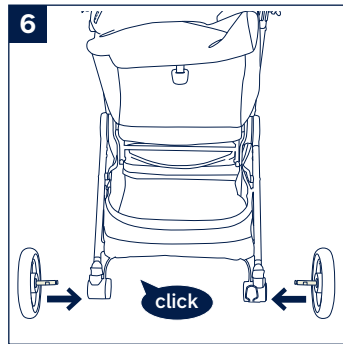
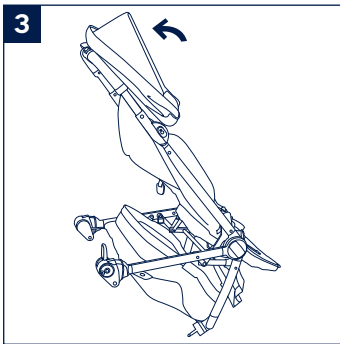
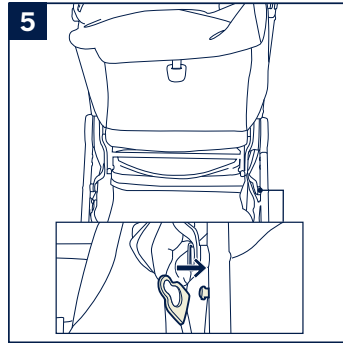
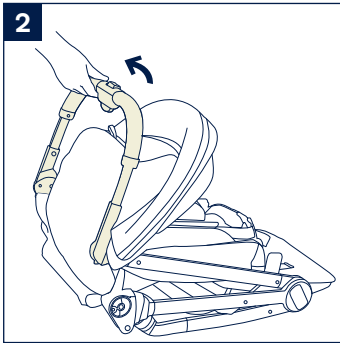
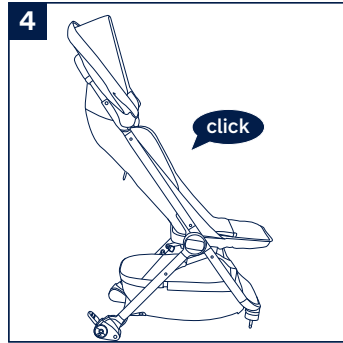
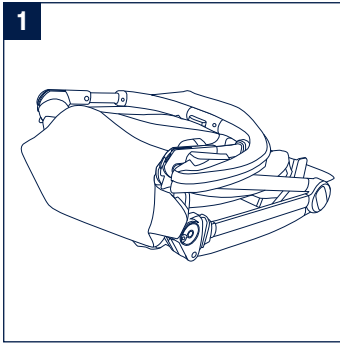
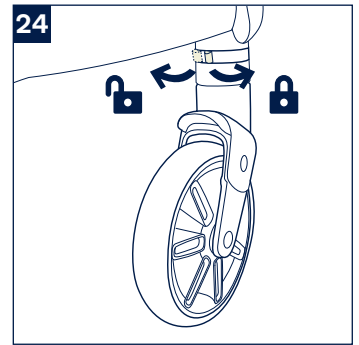
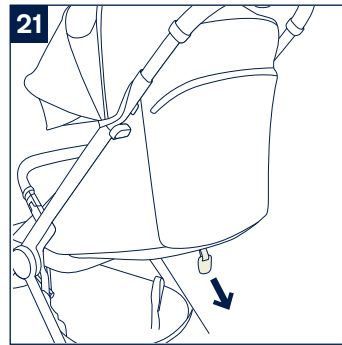
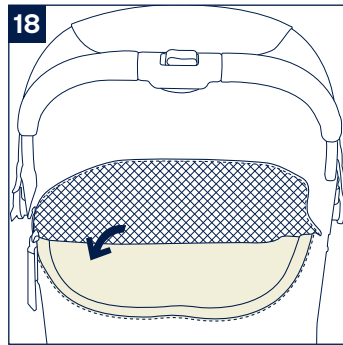
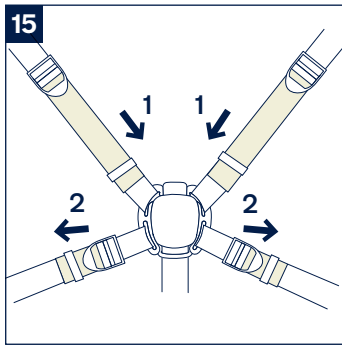
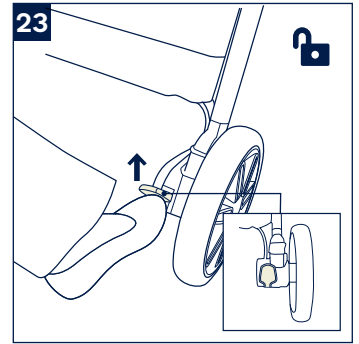
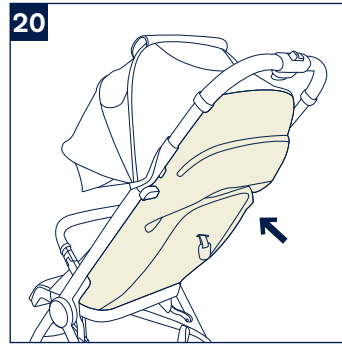
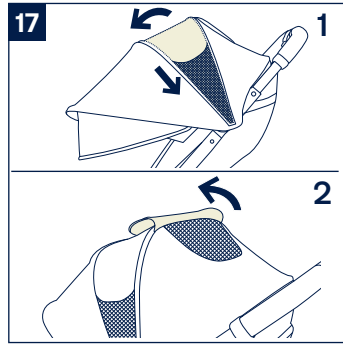
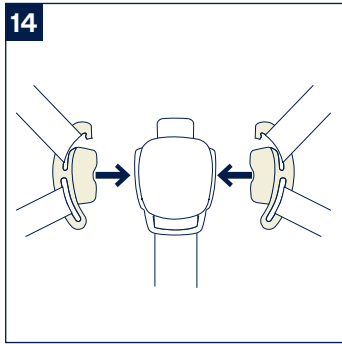
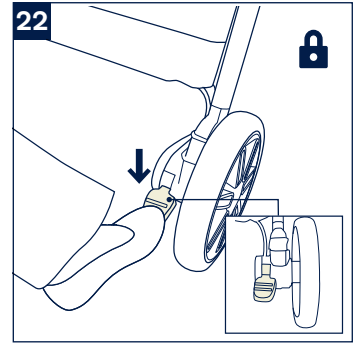
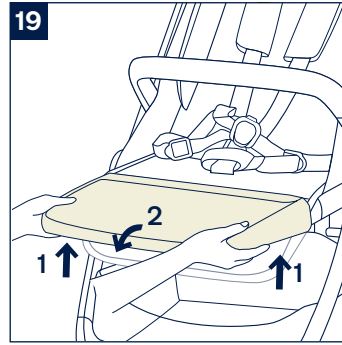
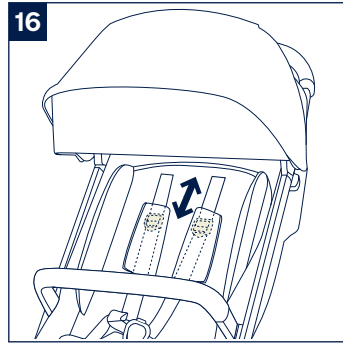
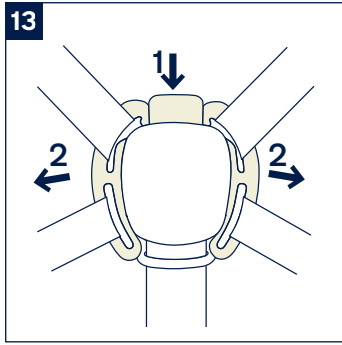
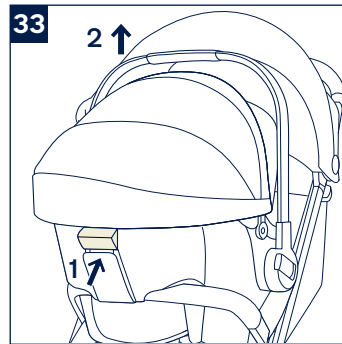
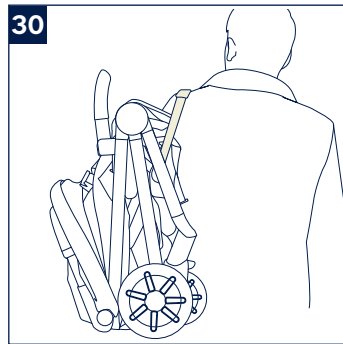
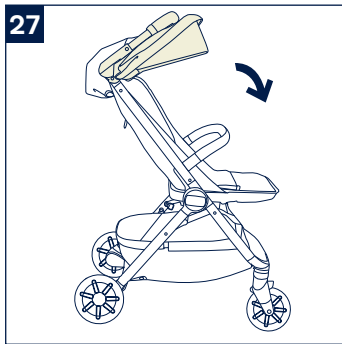
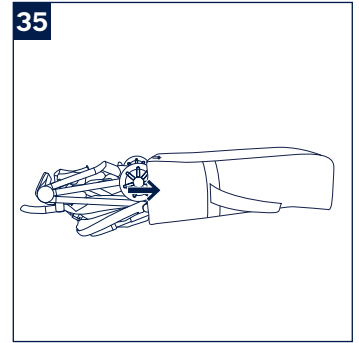
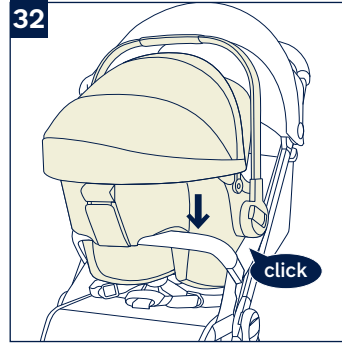
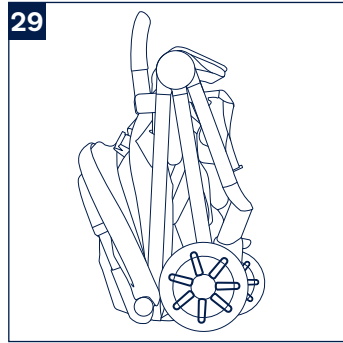
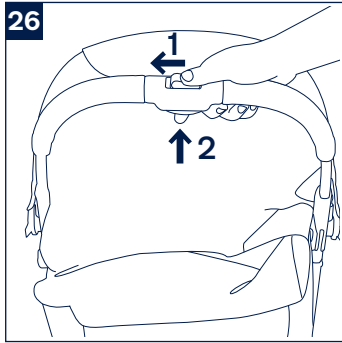
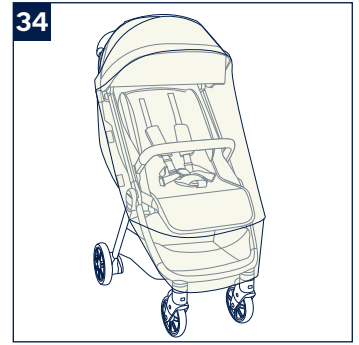
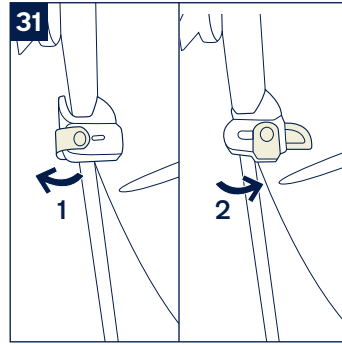
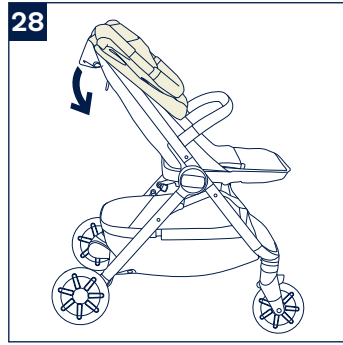
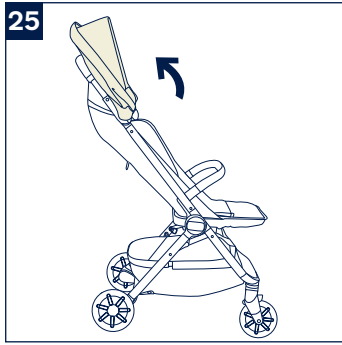


請妥善保存本說明書 以備不時之需!

使用產品前請仔細閱讀說明書，
並妥善保存說明書以便日後參考。







Designed
around your life



目錄

產品資訊	2
保固與售後服務	
保固條件	
適用範圍	3
警告	4
產品組件及各部位名稱	8
安裝手推車	10
產品使用	11
使用配件	13
NUNA PIPA系列汽車椅使用	
雨篷	
置物袋	
維護與保養	15
English	16

產品資訊

產品名稱： _____

生產日期： _____

保固與售後服務

產品於保固期間內發生問題，請與零售商聯絡；若零售商無法提供服務，他們會聯絡當地的Nuna經銷商。產品在正常使用和老化中產生的自然磨損與劣化，並不在保固範圍內。當車輪磨損過度時，請向本公司或代理商聯繫更換(需支付費用)。請留意產品底部的產品型號與生產日期序號。

當有保固需求時，請提供以上產品資訊。

請至www.nunababy.com/tw/gear-registration網站登記您購買的產品。

保固條件

保固始於產品購買日，我們提供維修服務，但不提供產品退換。保固期限不會因零件更換或維修而延長。Nuna有權利針對產品進行改善設計，此前製造的產品則無更換義務。相關保固資訊，詳見官網：www.nunababy.com/tw/warranty

產品名稱	TRVL lx手推車
主要材質	塑膠、鋁合金／五金、布
原產地	中國

適用範圍

寶寶需要滿足下列要求

最大體重：15kg

嬰幼兒年齡：0-36個月

當與NUNA汽車椅配合使用，適用範圍請參見該產品說明書。

警告

Nuna TRIV lx手推車擁有專利並符合臺灣標準 CNS 12940-2013 和歐盟安全標準 EN 1888-2:2018+A1:2022 相關規範。

重要：請務必依照產品說明書和警告以避免導致嚴重傷害甚至是死亡事件發生。

- ! 嬰幼兒的安全是您的責任。
- ! 為避免手指夾傷問題，收合及展開手推嬰兒車時，請務必小心。
- ! 切勿讓嬰幼兒單獨留在手推車內而無人看護。
- ! 請保留說明書以便日後使用。
- ! 六個月大以下的嬰幼兒應同時使用腰部及胯部的安全帶。
- ! 寶寶乘坐時，安全帶或束縛系統必須正確的扣合及使用。
- ! 使用前，請確保座椅或汽車椅等裝置正確安裝。
- ! 請勿允許您的嬰幼兒將手推車當玩具玩耍。
- ! 使用前，請確保所有鎖定裝置都已處於鎖定狀態。
- ! 本產品不適用於跑步和滑冰。
- ! 保持寶寶遠離遮陽篷/雨篷以免造成窒息。
- ! 請使用Nuna原廠零配件。

- ! 使用前請確定各部件安裝牢固以確保安全。
- ! 停止車台時，手推車務必確實使用制動裝置。
- ! Nuna不保固使用其它廠商提供的零配件所造成的損害。
- ! 任意放置未經製造商核可之物品於車臺上將造成危險。
- ! 不得附載其它的嬰幼兒、物品或附件於推車上。
- ! 不可將手推車放置於馬路、坡道或危險場所。
- ! 寶寶乘坐於手推車內時，不可將整個手推車往上提。
- ! 使用時請扣好安全帶，以免寶寶滑入腿部開口外而造成窒息。
- ! 使用時請遠離火源、高溫、水池或電源之附近範圍。
- ! 請勿在遮陽篷上放置任何物品。
- ! 請勿將產品放置潮濕的環境中。請自然風乾手推車上的布料，並避免使用直接熱源烘乾。
- ! 請勿將嬰幼兒放到置物籃內。
- ! 如果有任何零件損壞，磨破或丟失，請停止使用該產品。

- ! 當嬰幼兒需睡眠時，請將之放置於合適的嬰兒床。
- ! 為避免窒息危險，請將小零件存放到嬰幼兒接觸不到的地方。
- ! 請注意在粗糙地面使用時，反復衝擊會損壞手推嬰兒車。
- ! 不可讓嬰幼兒站立。
- ! 一次僅能乘坐一位嬰幼兒。
- ! 禁止在樓梯上使用手推車。
- ! 安全帶或束縛系統必須正確的扣合及使用。且安全帶與束縛系統的使用，不能取代成人的看護。
- ! 嬰幼兒放入或抱出手推車時，務必確認剎車已處於鎖定狀態。
- ! 此手推車適用於新生-15kg嬰幼兒使用。
- ! 使用前應確實豎立及固定各機構以確保安全。
- ! 超載、不正確的收合、使用非經核准的零配件都可能造成手推嬰兒車損壞、故障或不安全，請務必閱讀說明書。
- ! 輪胎可能會在某些表面留下黑色痕跡，特別是光滑的表面，像木地板、合層板和亞麻油地板。

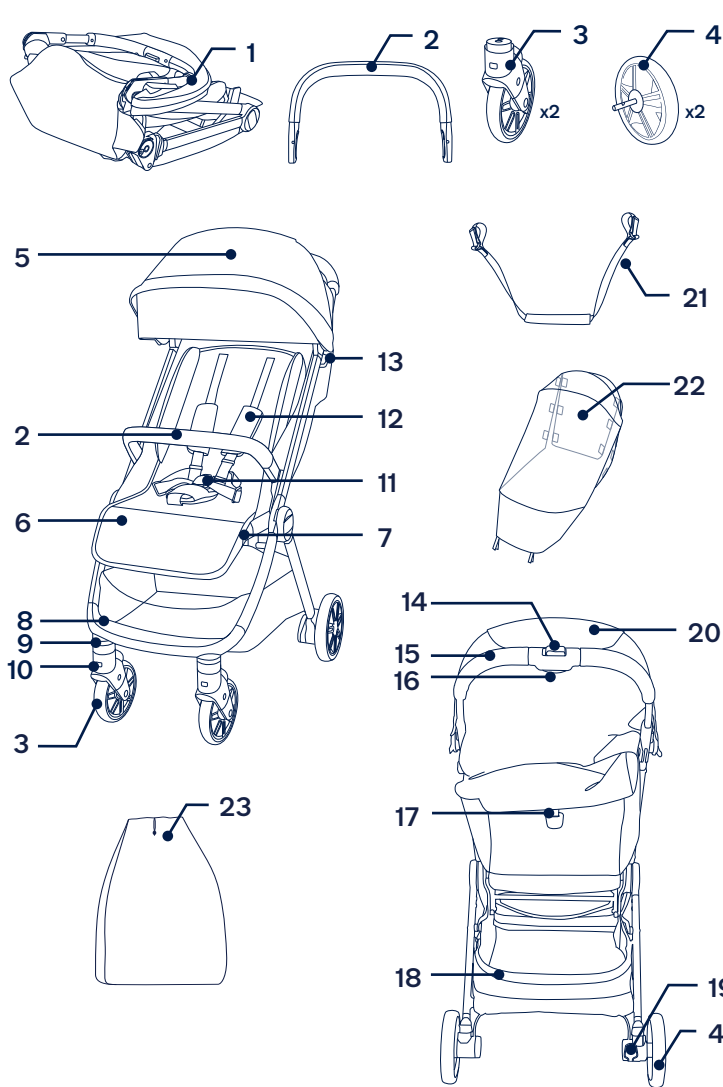
- ! 請勿將任何繩索或索帶類物件懸掛於嬰幼兒頸部附近，或扣在產品及玩具上，以免導致嬰幼兒意外窒息。
- ! 使用手推車之前，請務必去掉、銷毀或是將所有附加包裝遠離嬰幼兒，以防嬰幼兒窒息。
- ! 請勿擺放超過4.5kg的物件於置物籃內，以免導致手推車不穩定而產生危險。
- ! 乘載超過15kg的重量，將會導致手推車的重度磨損以及過重的負荷。
- ! 供新生兒使用時，應使用最斜躺位置。
- ! 當調整手推嬰兒車上之任何可活動配件或肩背帶時必須確定嬰幼兒的肢體與車台或肩背帶保持安全距離。
- ! 不得同時乘坐二位以上嬰幼兒或附載其它物品、附件於推車上。
- ! 不使用肩背方式時，應確實將肩背帶收好，使嬰幼兒無法接觸。

產品組件及各部位名稱

組裝前請確認所有部件已經齊全。如有遺漏，請與銷售商聯繫。本產品無需工具進行組裝。

！ 窒息危險：務必去掉、丟棄每個車輪或輪軸的保護套。

- | | |
|-----------|-----------|
| 1 手推車架 | 13 汽車椅固定鎖 |
| 2 扶手 | 14 第二道安全鎖 |
| 3 前輪 (x2) | 15 車手 |
| 4 後輪 (x2) | 16 單手收合按鈕 |
| 5 遮陽篷 | 17 背靠調整拉片 |
| 6 小腿靠 | 18 置物籃 |
| 7 小腿靠調整按鈕 | 19 剎車踏板 |
| 8 腳踏板 | 20 天窗 |
| 9 前輪定向鎖 | 21 肩背帶 |
| 10 前輪釋鎖按鈕 | 22 雨篷 |
| 11 安全扣 | 23 置物袋 |
| 12 肩帶護片 | |



安裝手推車

打開手推車

- 1- 取出手推車車架(1)
- 2- 向上拉起車手(2)，打開手推車(3)(4)。聽到“咔嚓”聲表示車架已完全打開。使用手推車前務必確保車架已打開到位。

安裝置物籃

將置物籃的掛鉤掛在兩邊的後腳管上(5)

安裝後輪

- 1- 將後輪套入後腳，聽到“咔嚓”聲表示後輪已安裝到位(6)
- 2- 按壓後輪釋鎖按鈕(7)-1，同時向外拉(7)-2，即可移除後輪。

安裝前輪

- 1- 將前輪套入前腳，聽到“咔嚓”聲表示前輪已安裝到位(8)
- 2- 按壓前輪釋鎖按鈕(9)-1，同時向下拉(9)-2，即可拔出前輪。

安裝遮陽篷

- 1- 將遮陽篷兩邊插入固定座上(10)，聽到“咔嚓”聲表示遮陽篷已安裝完成。

安裝扶手

- 1- 將扶手卡槽對準扶手座插入(11)，聽到“咔嚓”聲表示扶手已安裝完成。
- 2- 按壓扶手兩側釋鎖按鈕(12)-1，同時向外拉即可拆卸扶手(12)-2
 - ! 寶寶乘坐時必須繫上安全帶，扶手並不能確保寶寶的安全。
 - ! 扶手可以單邊打開方便寶寶上下車。

檢查

- 手推車車架已完全展開
- 前、後輪已確實安裝
- 扶手已確實安裝

產品使用

使用安全扣

- ! 為了防止寶寶摔跤，寶寶乘坐時必須繫上安全帶。
 - ! 請牢牢地繫上安全帶，並注意寶寶與安全帶之間須可以放進一個手掌的厚度。
 - ! 請勿交叉肩帶，以免對寶寶頸部造成壓迫。
- 1- 按下母扣上方的按鈕(13)-1，安全扣會自動鬆開(13)-2，將寶寶放入手推車。
 - 2- 將肩帶及腰部扣環與母扣結合(14)

- 3 - 滑動織帶(在肩帶護片下方)調整織帶長度(15)-1，拉緊腰部織帶(15)-2，使寶寶更加舒適。

調整肩帶位置

- 1 - 肩帶固定栓可上下滑動調整至適當位置(16)

使用遮陽篷

- 1 - 遮陽篷中段拉鍊可打開以延伸遮陽篷範圍(17)-1，遮陽篷天窗可打開增加透氣性(17)-2
- 2 - 打開背後拉鍊可增加透氣性(18)

調整小腿靠

小腿靠共有兩種角度可供調節。

- 1 - 段位調高時，將小腿靠支撐板由下往上推即可。
- 2 - 段位調低時，按壓小腿靠兩側的調整按鈕(19)-1，同時向下調節小腿靠(19)-2

調整背靠

背靠可多角度調節。

- 1 - 背靠向上調節：將背靠往上推(20)
- 2 - 背靠向下調節：拉住背靠調整拉片向下拉(21)

使用剎車

- 1 - 準備剎車時，踩下剎車踏板(22)
- 2 - 打開剎車時，抬起剎車踏板(23)

前輪定向

- 1 - 在碎石路面或不平路面推行時，建議鎖定前輪，便能更輕鬆地操控手推車。
- 2 - 前輪定向鎖定或釋鎖見圖(24)

收合手推車

- 1 - 收攏遮陽篷(25)
- 2 - 推開第二道安全鎖，然後按壓單手收合按鈕(26)
- 3 - 按壓單手收合按鈕，向下折疊車手，手推車自動收合並站立(27)-(29)
- 4 - 車臺收合後可使用肩背帶(30)
! 不使用肩背方式時，請將肩背帶妥善保存。

使用配件

NUNA PIPA 系列汽車椅使用

當與Nuna汽車椅配合使用時，組裝及使用方式請參照該產品說明書。

- ! 推車背靠需調整至最低段位。
 - ! 折疊遮陽篷並將扶手正確安裝。
- 1 - 打開汽車椅固定鎖，如圖(31)-1
鎖定汽車椅固定鎖，如圖(31)-2

- ! 將汽車椅向上抬檢查是否已鎖定在手推車上。
 - ! 請勿收合已卡合汽車椅的手推車。
- 2- 將汽車椅放置在手推車上，將汽車椅上的卡槽卡在扶手上**(32)**，再鎖定汽車椅固定鎖**(31)-2**
 - 3- 移除汽車椅時，打開汽車椅固定鎖**(31)-1**，向上按壓汽車椅釋鎖按鈕**(33)-1**，然後將汽車椅從手推車上移除即可**(33)-2**

雨篷

安裝雨篷前，請確認遮陽篷已完全展開。

- 1- 將雨篷套到座椅上**(34)**
 - ! 使用雨篷時，請隨時注意並確認雨篷內有良好的通風。
 - ! 不使用雨篷時，請先確認雨篷已清潔並乾燥，再收納。
 - ! 請勿收合已罩上雨篷的手推車。
 - ! 天氣炎熱時，請勿將寶寶放在裝有雨篷的手推車內。

置物袋

- 1- 將收合的手推車放置在置物袋裏，拉緊拉繩把置物袋收起來**(35)**

維修與保養

可用濕布清潔車架和座布，請勿使用研磨劑或漂白劑。請勿使用潤滑劑，因為它們會吸附灰塵和污垢。請勿將手推車儲存在潮濕的地方。

請定期以水清洗輪子，並清除污垢。

為使手推車能長期使用，下雨天使用後，請用軟質可吸水的布擦拭手推車。

請參考手推車上洗滌標的洗滌方式。

長期使用之後，在正常狀況下，座布可能產生褪色、磨損或撕裂。

為確保安全，請使用Nuna原廠零配件。

請定期檢查您的手推車功能是否正常與零件是否鬆弛磨損或脫落。一旦發生以上任何狀況，請立即停止使用本手推車。

**IMPORTANT!
READ CAREFULLY
AND KEEP FOR FUTURE
REFERENCE**

Contents

Product Information	18
Product Registration	
Warranty	
Child Usage Requirements	18
Warnings	19
Parts List	22
Product Set Up	24
Product Use	25
Accessories	27
PIPA Series Infant Child Restraint	
Rain Cover	
Carry Bag	
Cleaning and Maintenance	28

Product Information

Model Number: _____

Manufactured Date: _____

Product Registration

Please fill in the above information. The model number and the manufactured date are located on a label on the stroller frame.

To register your product please visit:

www.nunababy.com/tw/gear-registration

Warranty

We have purposely designed our high-quality products so that they can grow with both your child and your family. Because we stand by our product, our gear is covered by a custom warranty per product, starting from the day it was purchased. Please have the proof of purchase, model number and manufactured date available when you contact us.

For warranty information please visit:

www.nunababy.com/tw/warranty.

Child Usage Requirements

This stroller seat is suitable for use with children who meet the following requirements:

Birth to 15 kg or 3 years whichever comes first

When using the stroller frame with NUNA infant carrier, refer to the child usage requirements listed in the infant carrier instruction manual.

⚠️WARNING

Failure to follow these warnings and instructions could result in serious injury or death.

Always use the restraint system.

Check that the seat unit or car seat attachment devices are correctly engaged before use.

Do not let the child play with this product.

Ensure that all the locking devices are engaged before use.

Never leave the child unattended.

This product is not suitable for running or skating.

To avoid injury ensure that the child is kept away when unfolding and folding this product.

Accessories which are not approved by the manufacturer shall not be used. Only replacement parts supplied or recommended by the manufacturer/distributor shall be used.

Adult assembly required.

Any load attached to the handle and/or on the back of the backrest and/or on the sides of the vehicle will affect the stability of the vehicle.

DO NOT carry additional children, goods, accessories in or on the stroller except as permitted in this manual. They may cause the stroller to become unstable.

DO NOT leave the stroller exposed in the vicinity of a strong source of heat i.e. a radiator or open fire.

DO NOT place any item on the canopy.

DO NOT store the stroller in a damp place. Always allow the fabric to dry naturally away from direct heat.

DO NOT use storage basket as a child carrier.

DO NOT use the stroller if any parts are damaged or missing.

For car seats used in conjunction with a chassis, this vehicle does not replace a cot or a bed. Should your child need to sleep, then it should be placed in a suitable bed.

Keep small parts away from children as they pose a choking hazard.

Negotiate curbs and rough ground carefully. Repeated impact could cause damage to the stroller.

The parking device shall be engaged when placing and removing the children.

NEVER allow children to stand on the stroller.

NEVER use the stroller on stairs or escalators. You may suddenly lose control of the stroller or your child may fall out.

NEVER carry more than one child at a time in the stroller.

Overloading, incorrect folding, and the use of accessories e.g. child seats, bag hooks, rain covers, buggy boards, etc... other than those approved by Nuna may damage or make the stroller unsafe.

STRANGULATION HAZARD Do not place items with a string around your child's neck, suspend strings from this product, or attach strings to toys.

To avoid any danger of suffocation, remove all plastic covers before using this item and destroy or keep away from babies and children!

To prevent a hazardous, unstable condition, do not place more than 4.5 kg in the storage basket.

ALWAYS check ventilation when the rain cover is on the product.

ALWAYS check that the rain cover has been cleaned and dried before folding.

DO NOT fold the pushchair when the rain cover is attached.

DO NOT place your child in the pushchair in hot weather with the rain cover attached.

Make sure the harness is adjusted properly and your child is snugly secured. The space between the child and the shoulder harness should be about the thickness of one finger. **DO NOT** cross the shoulder belts. This will cause pressure on your child's neck.

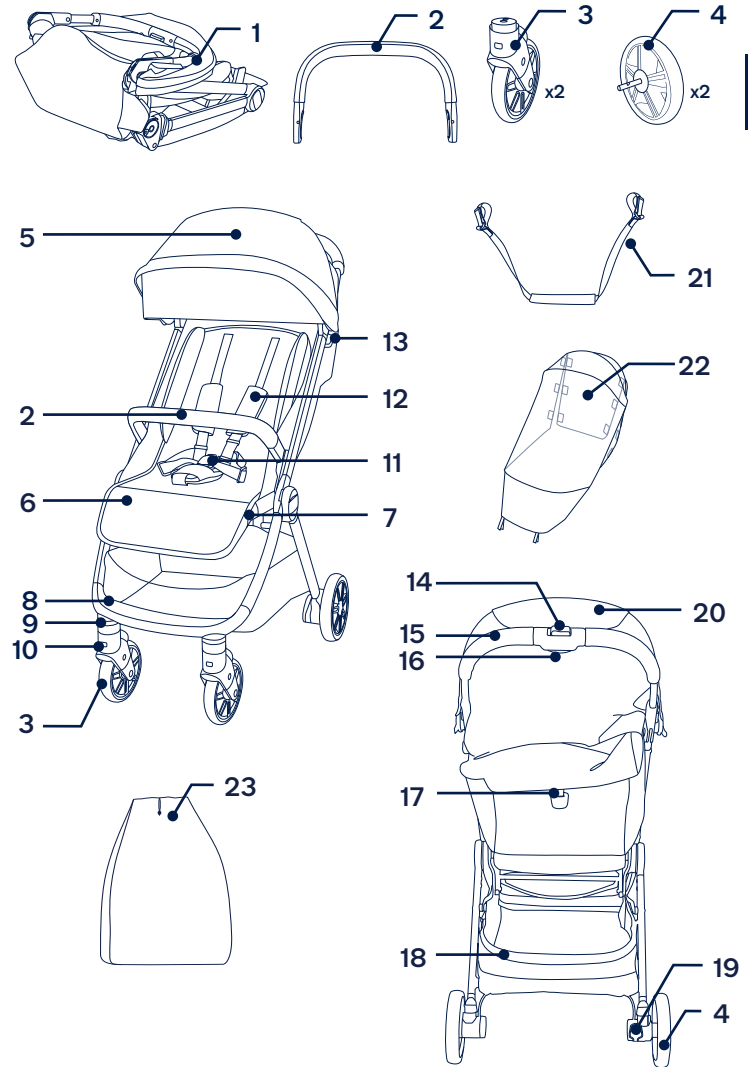
USE the most reclined position for new born babies.

Parts List

Make sure all parts are available before assembly. If any part is missing, please contact local retailer. No tools are required for assembly.

! CHOKING HAZARD: Remove and immediately discard protective end caps from each wheel and wheel hub axle.

- | | |
|----------------------------------|------------------------------|
| 1 Stroller Frame | 12 Shoulder Harness Pads |
| 2 Armbar | 13 Infant Carrier Lock |
| 3 Front Wheel (x2) | 14 Secondary Lock |
| 4 Rear Wheel (x2) | 15 Handle |
| 5 Canopy | 16 One-Hand-Fold Button |
| 6 Calf Support | 17 Recline Adjustment Puller |
| 7 Calf Support Adjustment Button | 18 Storage Basket |
| 8 Footrest | 19 Rear Brake Lever |
| 9 Front Swivel Lock | 20 Canopy Window |
| 10 Front Release Button | 21 Carrying Strap |
| 11 Buckle | 22 Rain Cover |
| | 23 Carry Bag |



Product Set Up

Open Stroller

- 1 - Take the stroller frame out. (1)
- 2 - Rotate the stroller handle up (2) and open the stroller frame (3)(4), A “click” sound means the stroller frame is open completely.

Basket

- 1 - Hook the basket on the rear legs on the both sides. (5)

Rear Wheels

- 1 - Insert the rear wheel into the rear leg. A “click” sound means the rear wheel is assembled completely. (6)
- 2 - To remove the rear wheel, press the release button (7)-1 and detach the rear wheel from the rear leg (7)-2.

Front Wheels

- 1 - Insert the front wheel into the front leg. A “click” sound means the wheel is assembled completely. (8)
- 2 - To remove the front wheel, press the release button (9)-1 and then detach the front wheel from the front leg (9)-2.

Canopy

- 1 - Slide the canopy mounts onto the stroller (10). A “click” sound means the canopy is assembled completely.

Arm Bar

- 1 - Align the armbar ends with the armbar mounts, and insert until it clicks into place (11). A “click” sound means the armbar is assembled completely.
- 2 - Press armbar release button (12)-1, and then pull up the armbar (12)-2.
 - ! Always secure the child with the harness. The armbar is not a restraint device.
 - ! Armbar can be open for easy seating and unseating of child.

Check Set Up

- Stroller frame is latched open
- Rear and front wheels securely attached
- Armbar securely attached

Product Use

Securing Your Child

- 1 - Push the top button on the buckle (13)-1 to release the buckle latch and remove the magnetic clips. (13)-2
Place your child in the stroller.
- 2 - Insert the magnetic clips into the buckle. (14)
- 3 - Fit the harness snugly to your child by sliding the adjustment straps to tighten (15)-1. Then pull the waist adjustment straps out (15)-2.

Shoulder Harness Position

- 1 - The upper shoulder harness buckles can be moved up and down for added adjustment. (16)

Canopy

- 1** - Open the zipper on the canopy for extra shade **(17)-1**.
For added ventilation, flip the canopy window cover up. **(17)-2**
- 2** - For added air flow, unzip the back zipper to expose the mesh. **(18)**

Calf Support

The calf support has 2 positions.

- 1** - To raise the calf support, lift up.
- 2** - To lower the calf support, press the adjustment button in the middle of the calf support **(19)-1**, and push down **(19)-2**.

Recline

- 1** - To raise the recline, push the backrest up. **(20)**
- 2** - To recline the backrest, pull the backrest adjustment puller down **(21)**.

Brake

- 1** - To lock the rear wheels, step down on the brake lever. **(22)**
- 2** - To release wheels, just lift the brake lever upwards. **(23)**

Front Swivel Locks

- 1** - It is recommended to use the front swivel locks on uneven surfaces.
- 2** - Front wheel locked or unlocked status as **(24)**.

Fold

- 1** - Fold the canopy. **(25)**
- 2** - Slide the secondary lock and then squeeze the folding button **(26)**.
- 3** - While squeezing the folding button, fold the handle down, the stroller will fold and stand on its own. **(27)-(29)**
- 4** - You can carry the stroller with the strap. **(30)**

Accessories

Not all accessories are included on some models.

PIPA Series Infant Child Restraint

For infant carrier assembly and usage, please refer to the infant carrier instruction manual.

- 1** - To open the infant carrier lock, slide the latch out **(31)-1**.
To close the infant carrier lock, slide the latch in **(31)-2**.
- 2** - Place the infant carrier on the stroller so it sits over the arm bar **(32)**. Then close the infant carrier lock. **(31)-2**
- 3** - To remove the infant carrier, open the infant carrier lock **(31)-1**, squeeze the release handle **(33)-1** and lift the infant carrier up **(33)-2**.

TRVL lx Rain Cover

Check that the canopy is completely open before attaching the rain cover.

- 1** - To assemble the rain cover, place it over the pushchair. **(34)**
- !** Always check ventilation, especially in hot weather when the rain cover is on the product.

- ! Always check that the rain cover has been cleaned and dried before folding.
- ! **DO NOT** fold the stroller after assembling the rain cover.
- ! **DO NOT** place your child into the stroller assembled with rain cover during hot weather.

Carry Bag

- 1 - Put the folded stroller into the carry bag and close the bag using the drawstring. (35)

Cleaning and Maintenance

Clean the frame, plastic parts, and fabric with a damp cloth, but do not use abrasives or bleach. Do not use silicon lubricants as they will attract dirt and grime. Do not store your stroller in a damp place.

Clean the stroller wheels regularly with water and remove any dirt.

To ensure long-lasting use, wipe the stroller off with a soft, absorbent cloth after using it in rainy weather.

Refer to the care label attached to the soft goods for washing and drying instructions.

It is normal for fabric to color from sunlight and to show wear and tear after a long period of use, even when used normally.

For reasons of safety, only use original Nuna parts.

Check regularly if everything functions properly. If any parts are torn, broken, or missing, stop using this product.