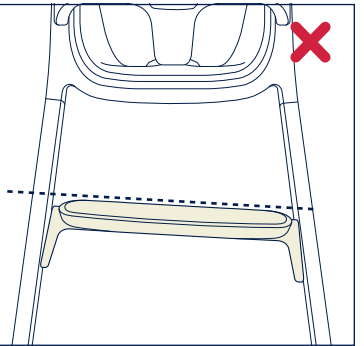
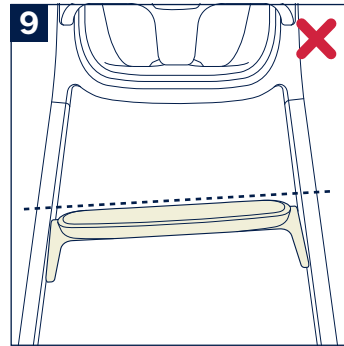
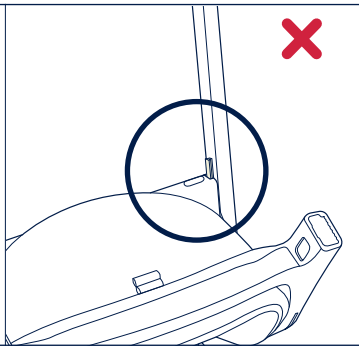
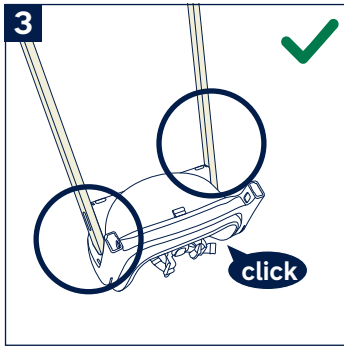
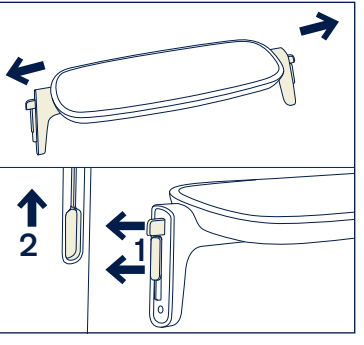
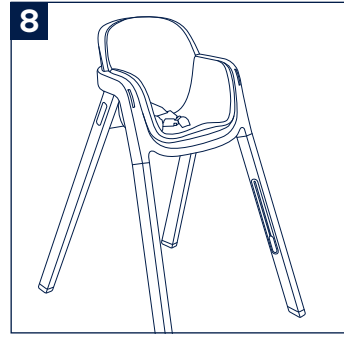
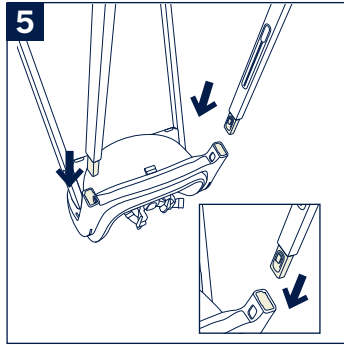
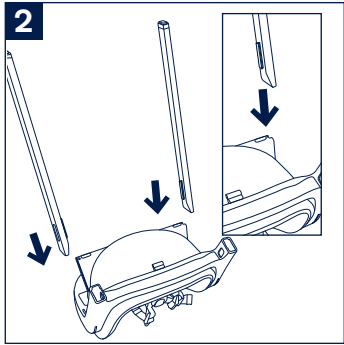
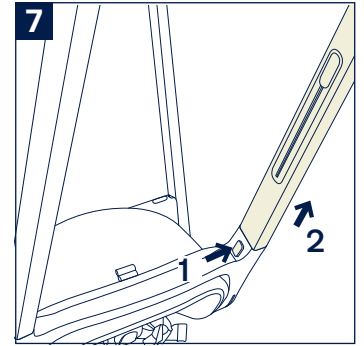
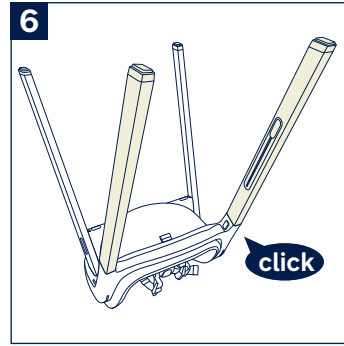
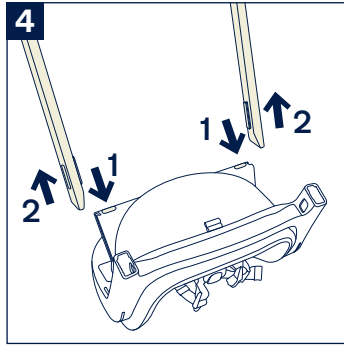
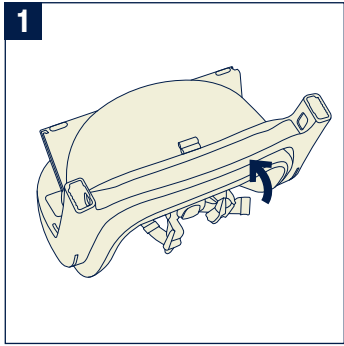
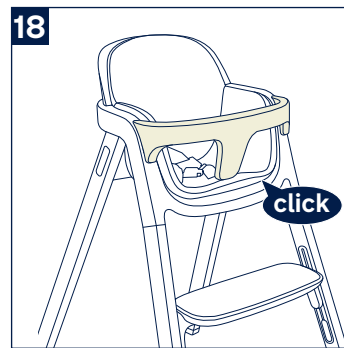
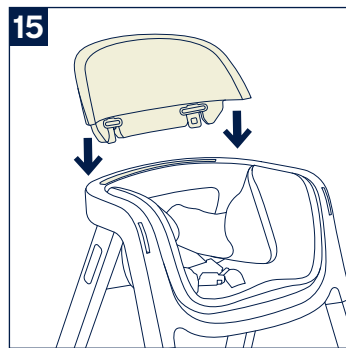
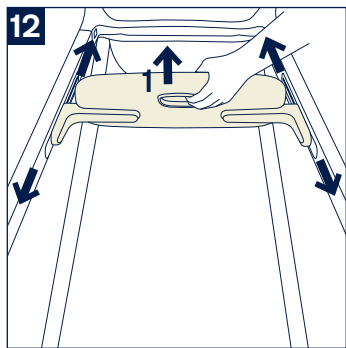
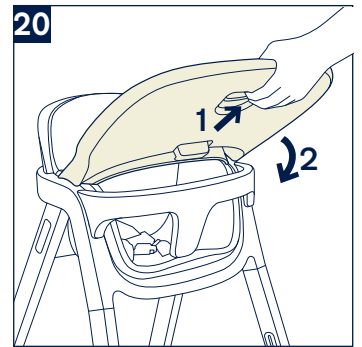
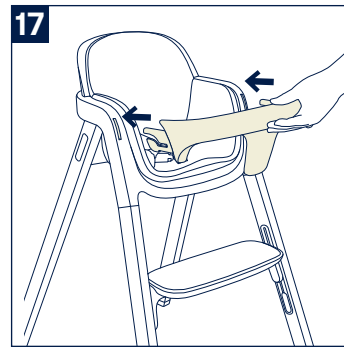
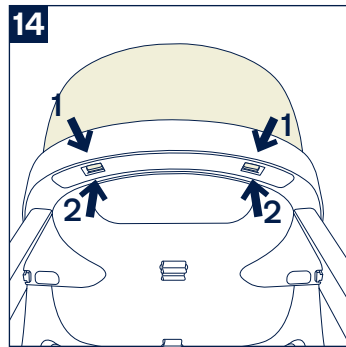
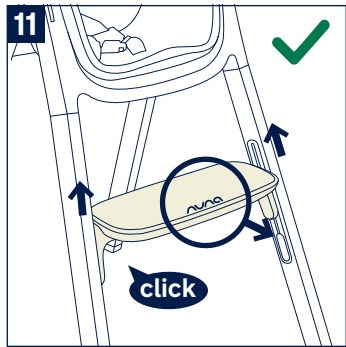
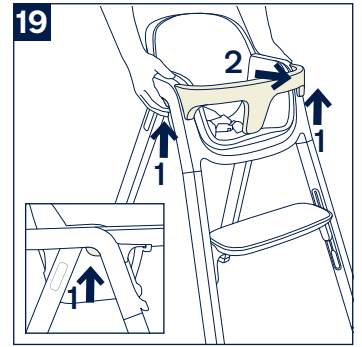
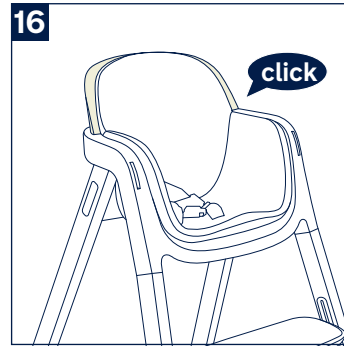
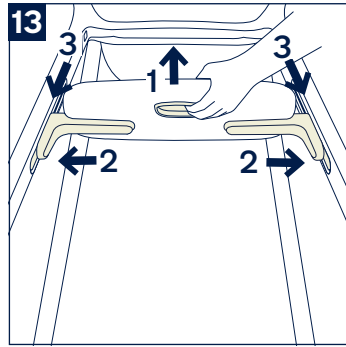
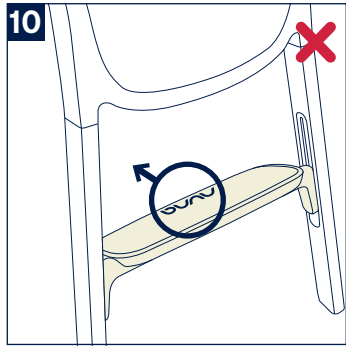
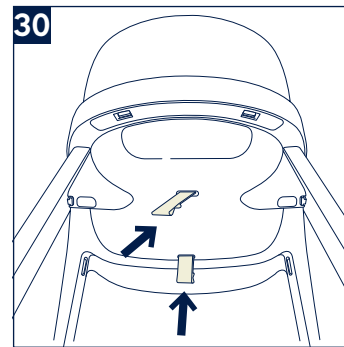
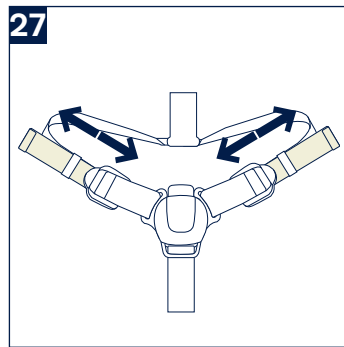
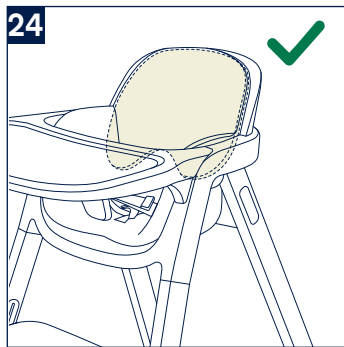
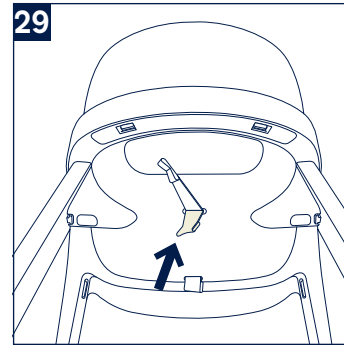
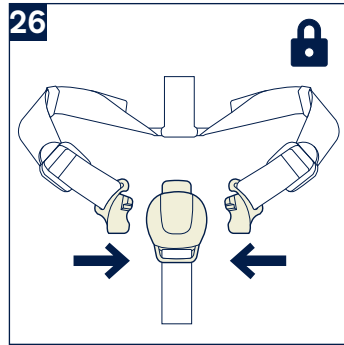
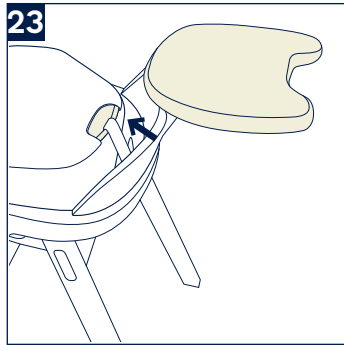
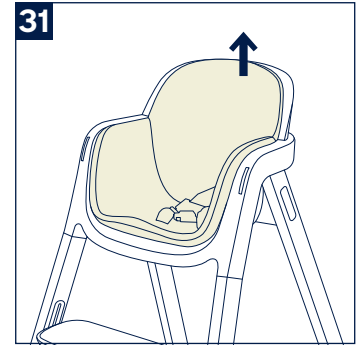
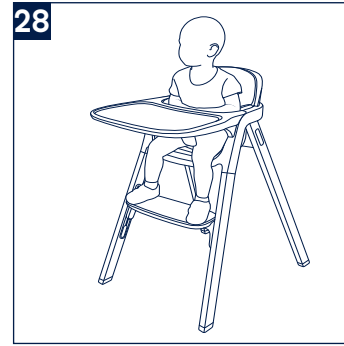
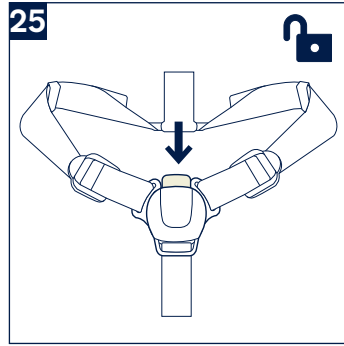
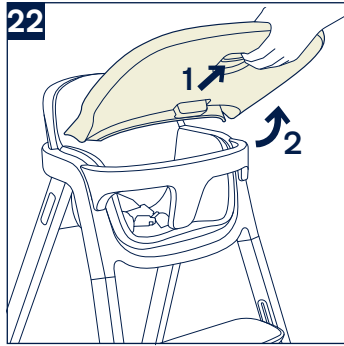


**重要!**

**詳細閱讀並留存以備參照**  
使用產品前請仔細閱讀本說明書，  
並妥善保存說明書以便日後參考。







*Designed*  
**around your life**



## 目錄

產品資訊	3
保固與售後服務	
保固條件	
適用範圍	4
警告	5
產品組件及各部位名稱	7
產品安裝	9
產品使用	10
維修與保固	11
English	13

## 產品資訊

產品名稱： \_\_\_\_\_

生產日期： \_\_\_\_\_

### 保固與售後服務

產品於保固期間內發生問題，請與零售商聯絡；若零售商無法提供服務，他們會聯絡當地的Nuna經銷商。請留意產品腳踏板下方的產品型號與生產日期序號。當有保固需求時，請提供以上產品資訊。

請至[www.nunababy.com/tw/gear-registration](http://www.nunababy.com/tw/gear-registration)網站登記您購買的產品。

### 保固條件

保固始於產品購買日，我們提供維修服務，但不提供產品退換。保固期限不會因零件更換或維修而延長。Nuna有權利針對產品進行改善設計，此前製造的產品則無更換義務。

相關保固資訊，詳見官網：

[www.nunababy.com/tw/warranty](http://www.nunababy.com/tw/warranty)

產品名稱：BRYN 餐椅

主要材質：塑膠、木材/五金、布

原產地：中國

## 適用範圍

高腳椅模式：15公斤(約6個月-3歲)以下兒童

兒童座椅模式：45公斤(約3-6歲)以下兒童

產品最大載重：100公斤

## 警告

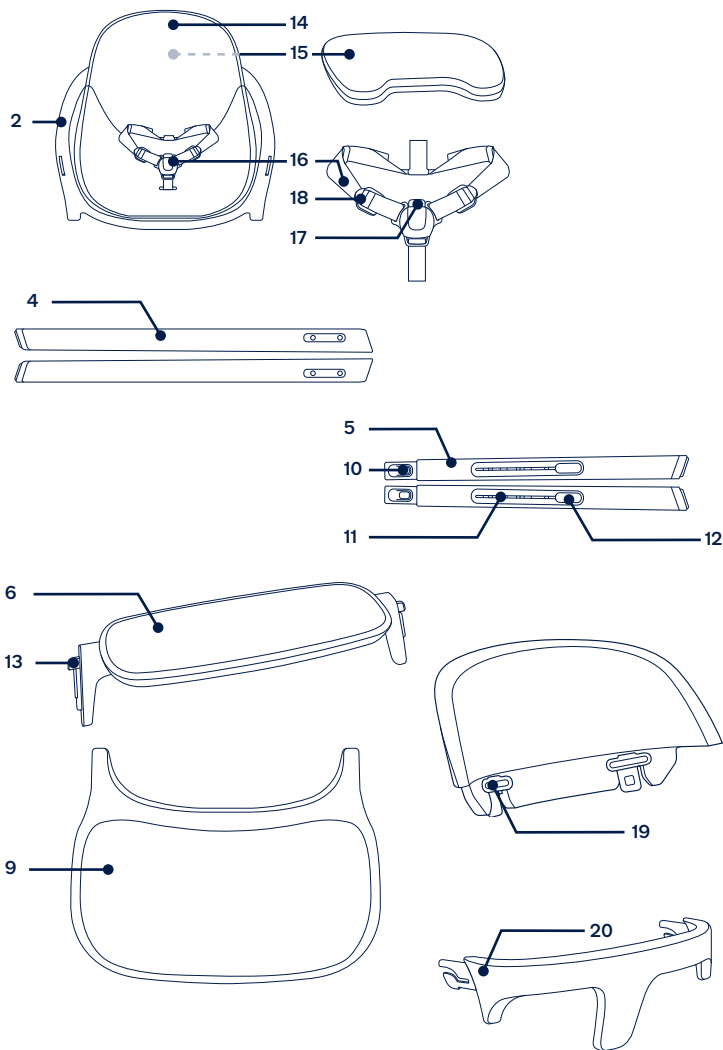
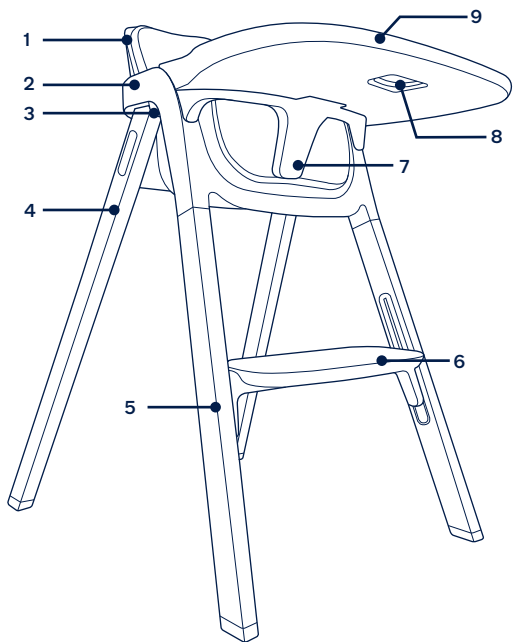
請務必依照產品說明書和警告以避免導致嚴重傷害甚至是死亡事件發生。

- ! 使用本餐椅之前，請務必移除、銷毀或是將所有附加包裝遠離兒童，以防止兒童窒息!
- ! 務必隨時使用束縛系統。
- ! 注意產品周圍附近之明火及其他強熱源風險，例如高腳椅附近的電器、瓦斯等風險。
- ! 僅使用餐盤與扶手並不能保證小朋友的安全。
- ! 跌落危害：防止兒童爬上產品。
- ! 請於平坦穩定表面使用本餐椅。
- ! 請務必將本餐椅遠離台階、樓梯、窗戶與牆壁。
- ! 任何附載於餐椅本身和餐盤上的重量將影響餐椅的穩定性，同時導致可能翻覆的風險。
- ! 本餐椅只能搭配Nuna原廠配件使用。
- ! 當兒童可伸出雙腳靠在桌子或任何其他結構上時，注意傾倒之風險。
- ! 使用本餐椅前，請先確認所有零件皆已安裝完成。

- ! 如果任何零件斷裂、扯裂或遺失，切勿使用產品。
- ! 切勿留置兒童無人照顧。
- ! 不得將細小物品、有毒物質、高溫物質和電纜線等物品靠近本餐椅，以防兒童接近，導致窒息、中毒和受傷。
- ! 無輔助無法自行坐著之兒童，切勿使用產品。
- ! 除非正確安裝及調整所有組件，否則切勿使用產品。
- ! 本產品高腳椅模式適用於3歲以下無輔助而能自行坐著或最大體重15公斤之兒童。
- ! 請勿讓小朋友於本產品附近玩耍或攀爬。

# 產品組件及各部位名稱

- |           |             |
|-----------|-------------|
| 1 背靠      | 11 腳踏板卡合座插槽 |
| 2 座椅      | 12 腳踏板釋鎖按鈕  |
| 3 扶手釋鎖按鈕  | 13 腳踏板卡合座   |
| 4 後腳 (x2) | 14 座墊       |
| 5 前腳 (x2) | 15 內墊       |
| 6 腳踏板     | 16 安全扣      |
| 7 扶手      | 17 安全扣釋鎖按鈕  |
| 8 餐盤釋鎖按鈕  | 18 調節帶      |
| 9 餐盤      | 19 背靠卡合座    |
| 10 前腳卡合座  | 20 扶手卡合座    |





## 產品安裝

組裝前先確認備齊所有配件。此產品必須由成人安裝。

### 組裝&拆卸後腳

- 1- 將座椅的底部朝上。(1)
- 2- 將後腳對準插槽插入。(2)
- 3- 聽到“咔嚓”聲表示扣合到位。如果安裝正確，後腳的卡合會完全進入插槽。(3)
- 4- 按壓釋鎖按鈕移除後腳。(4)

### 組裝&拆卸前腳

- 1- 將前腳對準插槽插入。(5)
- 2- 正確安裝如(6)所示。
- 3- 按壓釋鎖按鈕移除前腳。(7)

### 組裝&拆卸腳踏板

- 1- 打開腳踏板卡合座。
- 2- 按壓釋鎖按鈕，將腳踏板卡合座對準插槽插入並同時將兩側向上移動。(8)
- 3- 正確安裝如(11)所示。不正確安裝如(9)(10)所示。
- 4- 腳踏板有3個段位可調節。(12)
- 5- 將腳踏板調整至最低位置。一直按壓調整按鈕和插槽固定座並向下移除腳踏板。(13)

### 組裝&拆卸背靠

**警告** 高腳椅模式背靠必須正確安裝。

- 1- 按壓釋鎖按鈕移除背靠。(14)
- 2- 將背靠安裝座對準插槽插入。(15)
- 3- 聽到“咔嚓”聲表示扣合到位。(16)

### 組裝&拆卸扶手

- 1- 將扶手對準插槽插入。(17)
- 2- 聽到“咔嚓”聲表示扣合到位。(18)
- 3- 按壓釋鎖按鈕移除扶手。(19)

### 組裝&拆卸餐盤

**警告** 僅安裝好餐盤和扶手不保證寶寶的安全。

- 1- 安裝餐盤時，請將餐盤尾端對齊扶手上。請按壓釋鎖按鈕並往下放置餐盤。(20)
- 2- 聽到“咔嚓”聲表示扣合到位。(21)  
請檢查餐盤是否已固定。
- 3- 按壓釋鎖按鈕移除餐盤。(22)

## 產品使用 - 高腳椅模式

### 使用內墊

- 1- 將內墊從開口裝入座墊。(23)
- 2- 將內墊安裝平整，以確保孩童使用時的舒適度。(24)

## 保護孩童

- 1- 按下母扣上的按鈕，安全扣會自動鬆開。(25)
- 2- 將腰帶扣靠近母扣，便會自動吸附扣合。(26)
- 3- 可調節腰帶長度。(27)
  - ！ 安全帶不可以扭曲。
- 4- 使用高腳椅模式如(28)所示。
  - ！ 高腳椅模式需要正確扣合安全扣。

## 產品使用 - 兒童座椅模式

- 1- 將安全帶和腰帶固定織帶從固定孔移除，並且將安全扣從座椅上移除。(29)(30)
- 2- 移除座墊。(31)
- 3- 腳踏板可調整達到舒適。(32)
  - ！ 當使用兒童座椅模式，安全帶和座墊需移除。

## 維修與保固

可用濕布或中性清潔劑清潔產品和相關配件。請勿以強鹼或溶劑清潔，避免造成產品毀損。

持續曝曬於陽光下可能導致車台和零件變色。

定期檢查本產品，以便發現任何可能的損傷。

NUNA International B.V. Nuna及所有相關徽標皆為商標。

**IMPORTANT!  
KEEP THESE  
INSTRUCTIONS FOR  
FUTURE REFERENCE:  
*READ ALL INSTRUCTIONS  
BEFORE USE***

## Contents

<b>Product Information</b>	15
Warranty	
Contact	
<b>Child Usage Requirements</b>	16
<b>Warning</b>	17
<b>Parts List</b>	19
<b>Product Set Up</b>	21
<b>Product Use</b>	22
<b>Cleaning and Maintenance</b>	24

## Product Information

Model Number: \_\_\_\_\_

Manufactured in (date): \_\_\_\_\_

### Warranty

We have purposely designed our high-quality products so that they can grow with both your child and your family. Because we stand by our product, our gear is covered by a custom warranty per product, starting from the day it was purchased. Please have the proof of purchase, model number and manufactured date available when you contact us.

**For warranty information please visit:**

[www.nunababy.com](http://www.nunababy.com)

Click the “Warranty” link on the homepage.

### Contact

For replacement parts, service, or additional warranty questions, please contact our customer service department

[info@nunababy.com](mailto:info@nunababy.com)

[www.nunababy.com](http://www.nunababy.com)

**NUNA International B.V.**

Van der Valk Boumanweg 178 C

2352JD Leiderdorp

The Netherlands

## Child Usage Requirements

This high chair is suitable for use with children who meet the following requirements:

**Child:** sit upright unaided

**Weight:**

High chair mode: Up to 15 kg maximum, approximately 3 years old or under

Child chair mode: Up to 45 kg maximum, approximately 3-6 years old

## **WARNING**

**Failure to follow these warnings and instructions could result in serious injury or death.**

To avoid any danger of suffocation, remove all plastic covers before using this item and destroy or keep them away from babies and children!

Always use the restraint system.

Be aware of the risk of open fires and other sources of strong heat in the vicinity of the product.

The tray and armbar alone **DO NOT** guarantee the restraint of your child.

Falling hazard: Prevent your child from climbing on the product.

Be sure to use the high chair always on a level, stable surface.

Keep the high chair away from steps, stairs, windows and walls.

Any weight attached to the high chair or on the tray will have a negative impact on the stability of the high chair and increase the risk of the high chair tipping over.

Use original Nuna parts and accessories only.

Be aware of the risk of tilting when your child can push its feet against a table or any other structure.

**DO NOT** use the product unless all components are correctly fitted and adjusted.

**DO NOT** use the product if any parts are torn, broken or missing!

**DO NOT** use the high chair as a step stool.

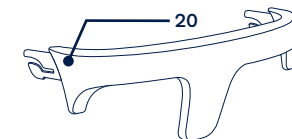
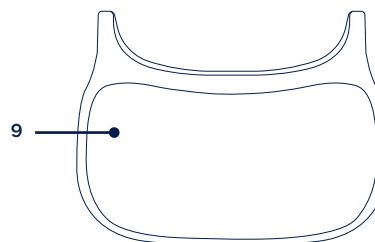
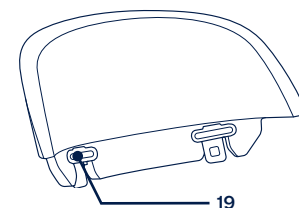
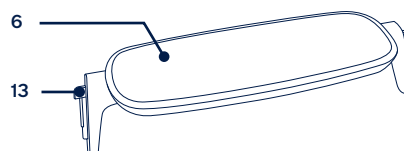
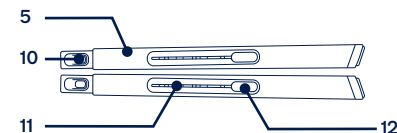
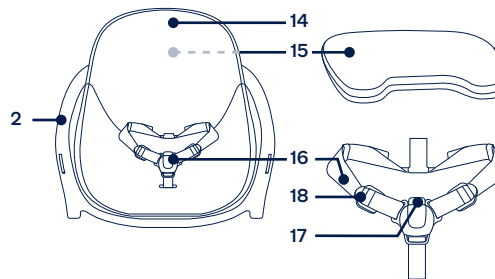
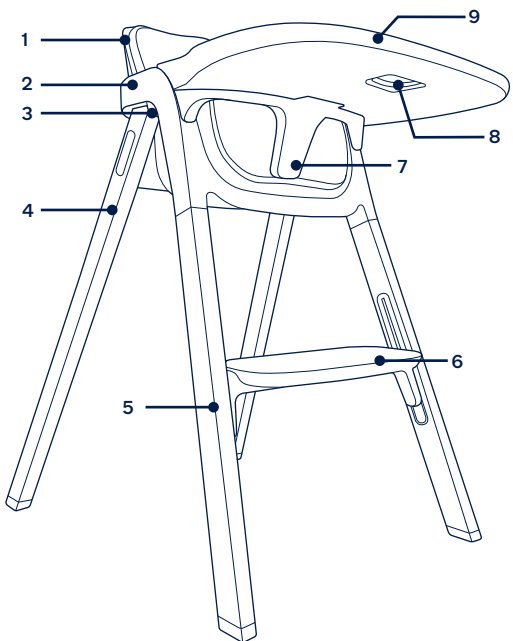
**NEVER** leave the child unattended!

**NEVER** place small items, toxic substances, hot objects, electrical cables etc. near the high chair where the child can reach them, as they may cause choking, poisoning or other injuries.

**DO NOT** use the highchair until the child can sit up unaided.

# Parts List

- 1 Backrest
- 2 Seat
- 3 Armbar Release Buttons
- 4 Rear Leg (x2)
- 5 Front Leg (x2)
- 6 Footrest
- 7 Armbar
- 8 Tray Release Button
- 9 Tray
- 10 Front Leg Attachment
- 11 Footrest Slot
- 12 Footrest Release Button
- 13 Footrest Mount
- 14 Seat Pad
- 15 Insert (inside seat pad)
- 16 Harness
- 17 Buckle Release Button
- 18 Adjustment Straps
- 19 Backrest Mounts
- 20 Armbar Mount



## Product Setup

Check that you have all the parts for this product before assembling it. The assembly should be performed only by adults.

### Assemble & Detach Rear Leg

- 1 - Place the bottom of seat facing upwards. (1)
- 2 - Clip the rear leg into the slot. (2)
- 3 - A “click” indicates the leg is attached. Pull on the leg to check. If the leg is attached properly, the tab on the rear leg will be completely inside the slot. (3)
- 4 - Press the release button to remove the rear leg. (4)

### Assemble & Detach Front Leg

- 1 - Clip the front leg into the slot. (5)
- 2 - Correct installation as shown in Figure (6).
- 3 - Press the release button to remove the front leg. (7)

### Assemble & Detach Footrest

- 1 - Open the footrest mount. (8)
- 2 - Press the releasing button. Clip the footrest mount into the slot and move both sides up simultaneously (8).
- 3 - Correct installation as shown in Figure (11). Incorrect installation as shown in Figure (9)(10).
- 4 - The footrest has 3 positions. (12)
- 5 - Adjust the footrest to the lowest position. Press the adjustment button and mounts on both sides, and move down simultaneously to remove the footrest. (13)

### Assemble & Detach Backrest

**WARNING** The high chair mode must have backrest installed correctly.

- 1 - Press the release button to remove the backrest. (14)
- 2 - Clip the backrest mount into the slot. (15)
- 3 - A “click” indicates that it has been installed correctly. (16)

### Assemble & Detach Armbar

- 1 - Clip the armbar into the slot. (17)
- 2 - A “click” indicates that it has been installed correctly. (18)
- 3 - Press the release button to remove the armbar. (19)

### Assemble & Detach Tray onto Armbar

**WARNING** The tray and the armbar alone **DO NOT** guarantee the restraint of your child.

- 1 - To attach the tray to the armbar, align the open ends of the tray with the top of the armbar. Squeeze the tray release button and pivot the tray down (20).
- 2 - A “click” indicates that it has been installed correctly. (21)  
Pull up on the tray to check.
- 3 - Press the release button to remove the tray. (22)

## Product Use - Child Mode

### Use Insert

- 1 - Push the insert through the hole in the seat pad (23).
- 2 - Straighten the insert and make sure it lays flat inside the seat pad so the child can sit comfortably (24).

## Securing Child

- 1 - Press the button, the buckle will release automatically. (25)
- 2 - Place the waist belt buckle close to the female buckle, and they will automatically adsorb and lock. (26)
- 3 - Adjust the length of the webbing to adjust the waist belt length. (27)
  - ! Belts must not be twisted.
- 4 - The use of high chair mode is shown in Figure (28).
  - ! High chair mode requires correct use of safety buckles.

## Product Use - Youth Mode

- 1 - Slide the harness crotch strap and waist straps out of the slots in the seat. (Tip: It is easier to do the waist straps one at a time.) Pull the harness away from the seat to remove (29)(30).
- 2 - Remove the seat pad (31).
- 3 - Footrest can be adjusted for comfort (32).
  - ! When using this product in youth mode, the harness and seat pad must be removed.

## Cleaning and maintenance

You can clean the high chair and accessories with a damp cloth or a neutral detergent, but do not use abrasive detergents or solvents which could damage the material.

Continued and extended exposure to sunlight can change the colour of many materials.

Inspect your high chair regularly in order to detect any damage.