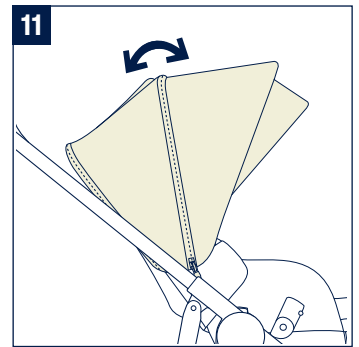
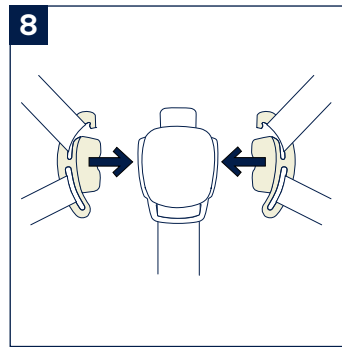
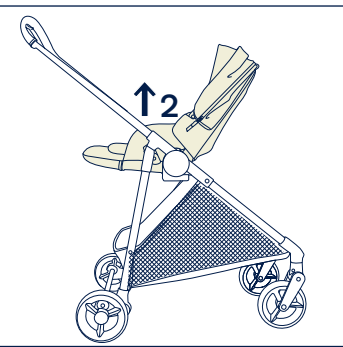
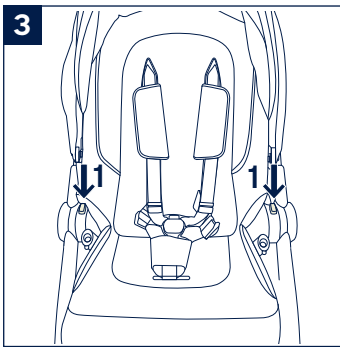
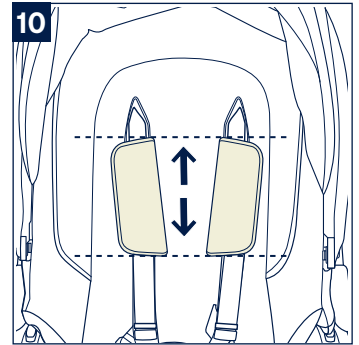
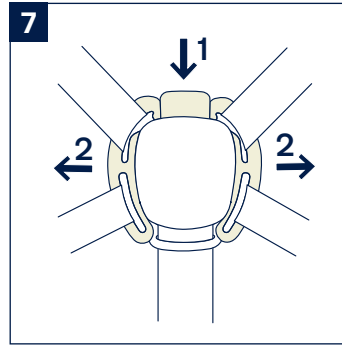
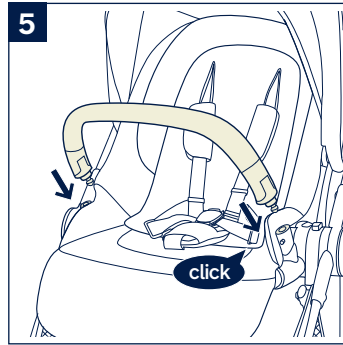
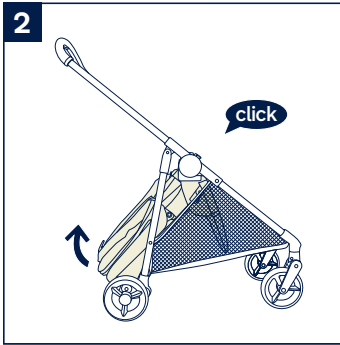
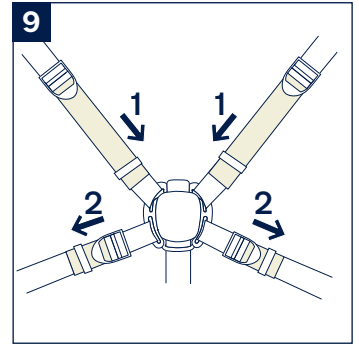
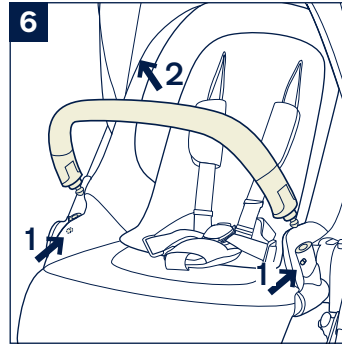
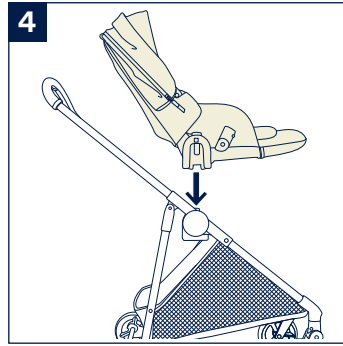
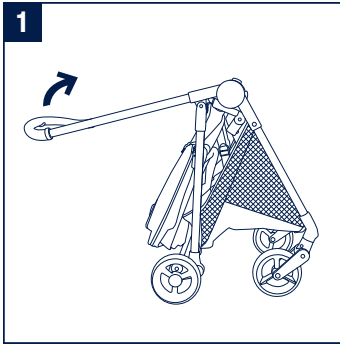
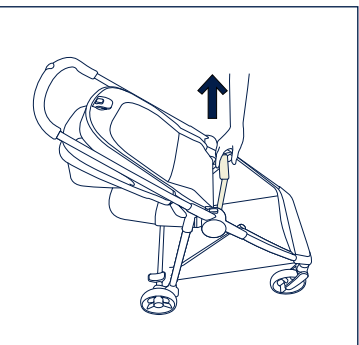
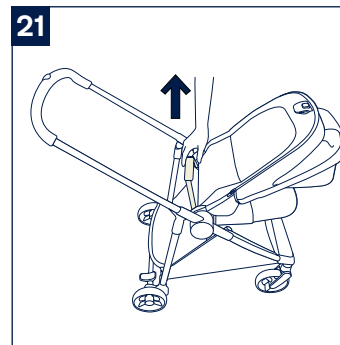
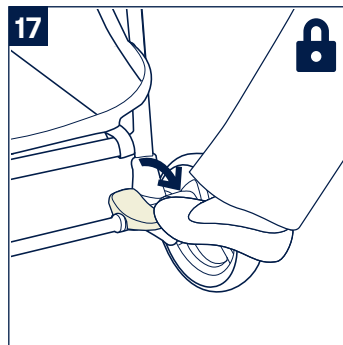
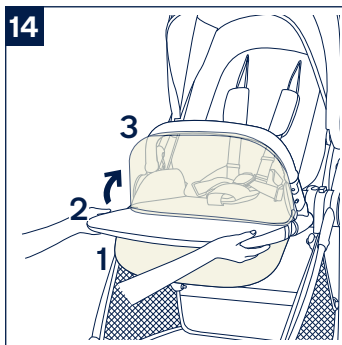
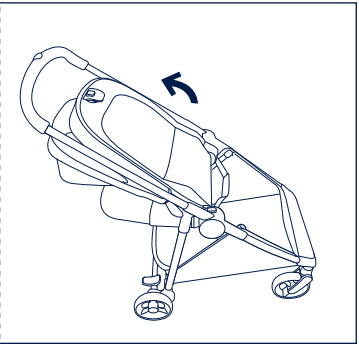
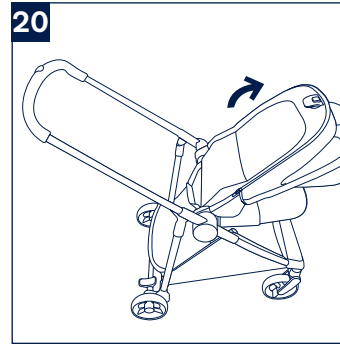
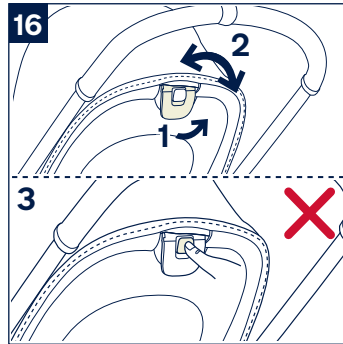
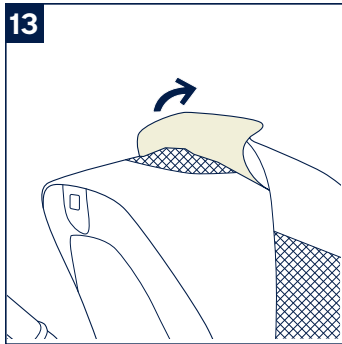
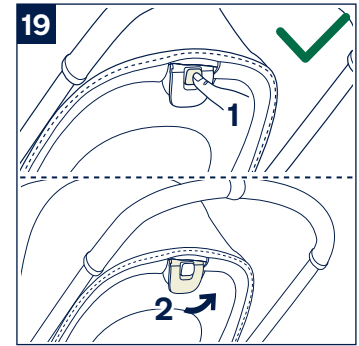
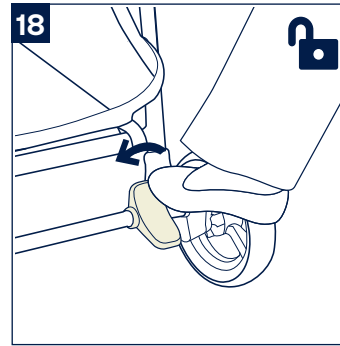
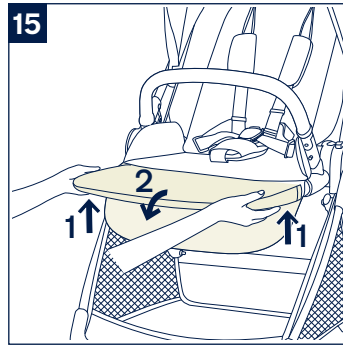
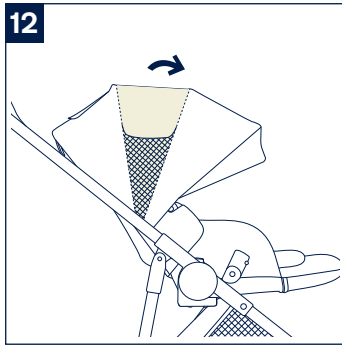
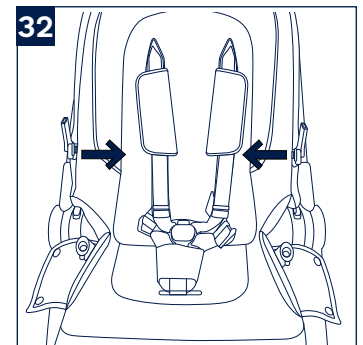
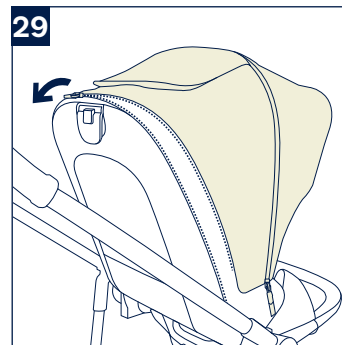
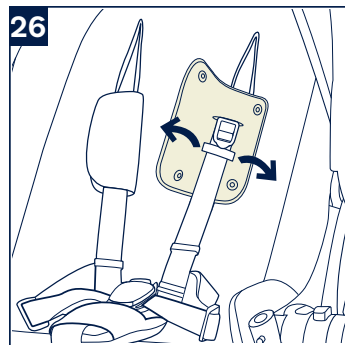
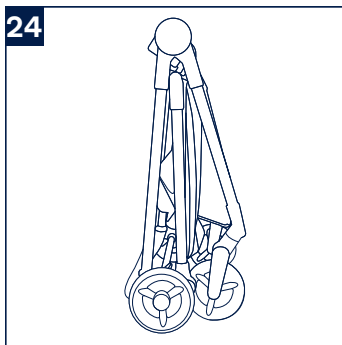
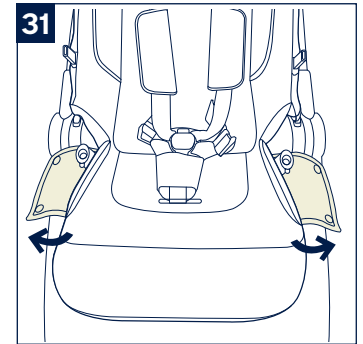
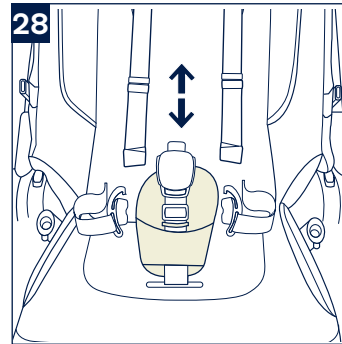
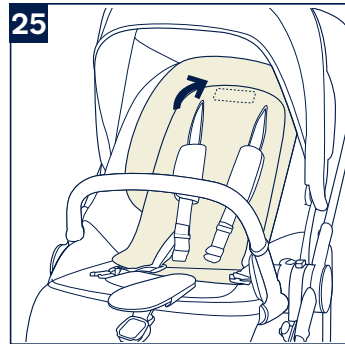
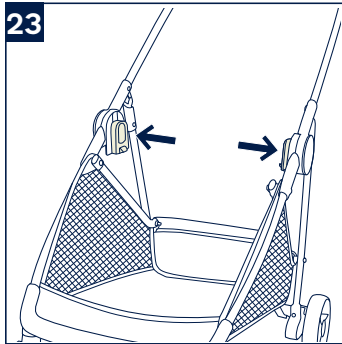
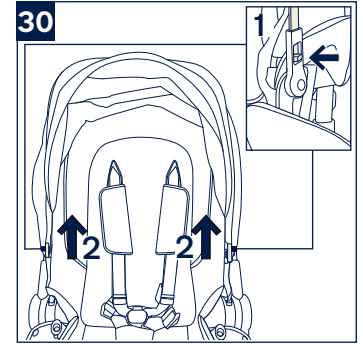
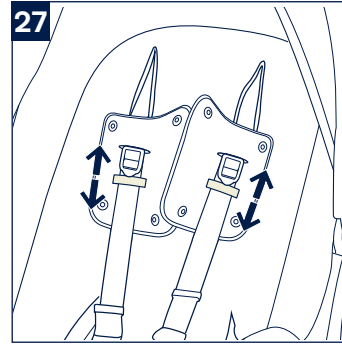
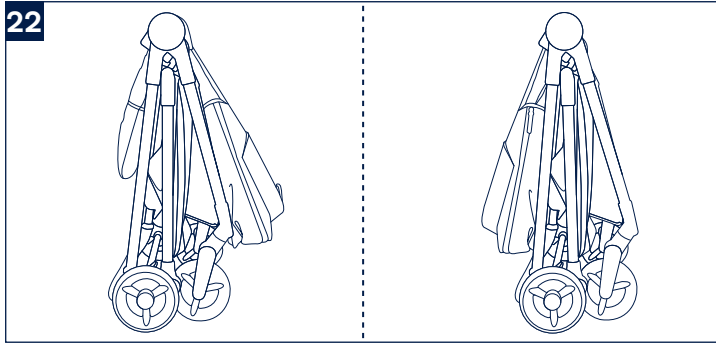


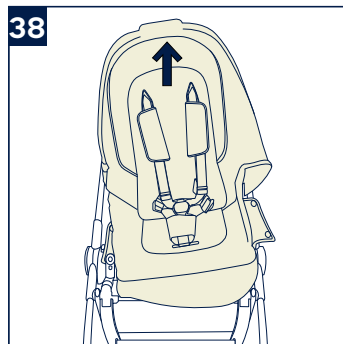
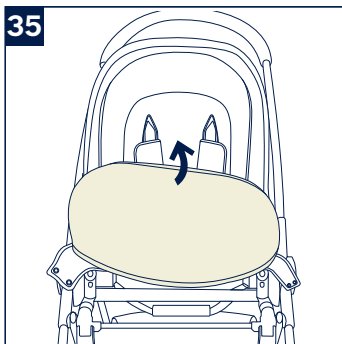
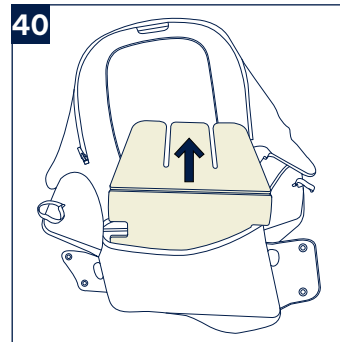
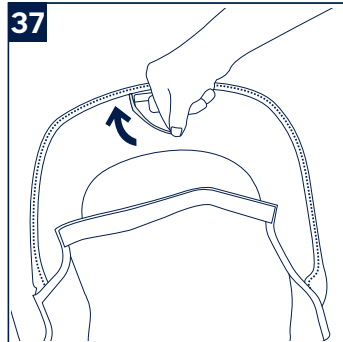
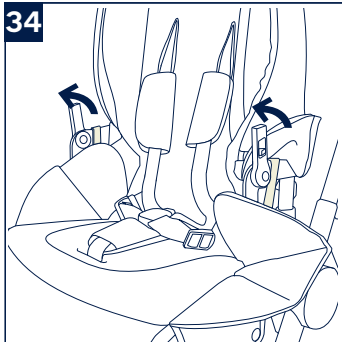
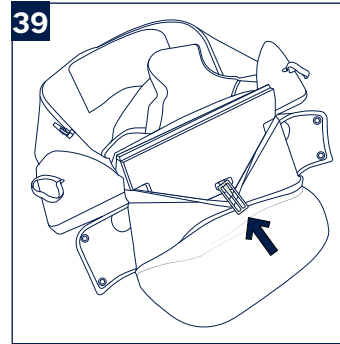
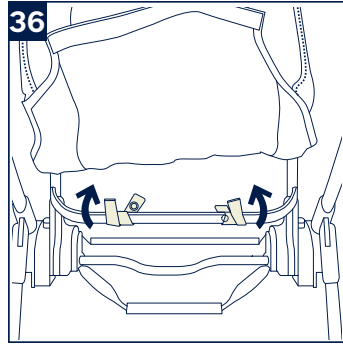
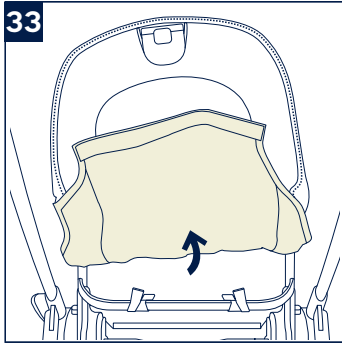
请妥善保存本说明书 以备不时之需!

使用产品前请仔细阅读本说明书，并妥善保存以供日后参照。不依照本说明书的指示操作，可能会影响到您宝宝的安全。









Designed
around your life



目录	
产品资讯	2
保修条件	
联络我们	
适用范围	3
警告	4
产品组件及各部位名称	8
安装手推车	10
产品使用	11
拆卸及组装座布	13
维护与保养	14
English	16

产品资讯

品名: _____

生产日期: _____

保修条件

保修始于产品购买日。我们提供维修服务，但不提供产品退换，即使某些零件曾经过维修，也不会因此延长保修期限。Nuna有权利针对产品改善设计，是此先前制造的产品则无更换之义务。相关保修信息，详见官网:www.nunababy.com/cn/warranty

联络我们

我们期望不断改进并开发新的产品，请随时告知您对Nuna产品的意见和建议。

www.nunababy.com/cn

制造商:	NUNA International B.V.
地址:	Van der Valk Boumanweg 178 C 2352JD Leiderdorp The Netherlands
品名:	IXXA 手推车
型号:	ST16003RVRCH、 ST16004GRNCH
主要材质:	塑胶、铝合金/五金、布
执行标准:	GB 14748-2006 《儿童推车安全要求》
产地:	中国
生产企业:	明门（中国）婴童用品有限公司
地址:	广东省东莞市清溪镇银湖工业区

适用范围

宝宝需要满足下列要求:

重量: 新生儿-15kg

年龄: 0-36个月

警告

Nuna IXXA 手推车拥有专利并符合国家安全标准 GB 14748-2006《儿童推车安全要求》和欧盟安全标准 EN 1888-1:2018+A1:2022 相关规范。

重要: 请务必依照产品说明书和警告以避免导致严重伤害甚至是死亡事件发生。

- ! 婴幼儿的安全是你的责任。
- ! 宝宝乘坐时，看护人不要离开。
- ! 本产品须由成人进行组装。
- ! 为避免手指夹伤问题，收合及展开手推车时，请务必小心。
- ! 宝宝乘坐时，安全带或束缚系统必须正确的扣合及使用。
- ! 使用前，请确保座椅正确安装。
- ! 请勿允许您的宝宝将手推车当玩具玩耍。
- ! 使用前，请确保所有锁定装置都已处于锁定状态。
- ! 本产品不适用于跑步和滑冰。
- ! 打开或收合手推车时，宝宝须远离手推车的活动部件。
- ! 禁止使用非生产商提供的附件，请使用Nuna原厂零配件。
- ! 停止车台时，手推车务必确实使用制动装置。

- ! Nuna不保修使用其它厂商提供的零配件所造成的损害。
- ! 任何附载于车手上的重量将影响产品的稳定性，可能造成手推婴儿车翻覆的危险。
- ! 一次仅能乘坐一位宝宝，且请勿设置任何此说明书未允许使用的产品或配件于手推车上，以避免影响手推车的稳定性。
- ! 使用时请远离火源、高温、水池或电源之附近范围。
- ! 请勿在遮阳篷上放置任何物品。
- ! 请勿将产品放置潮湿的环境中。请自然风干手推车上的布料，并避免使用直接热源烘干。
- ! 请勿将宝宝放到置物篮内。
- ! 如果有任何零件损坏，磨破或丢失，请停止使用该产品。
- ! 当宝宝需睡眠时，请将之放置于合适的睡箱或婴儿床。
- ! 为避免窒息危险，请将小零件存放到宝宝接触不到的地方。
- ! 请注意在粗糙地面使用时，反复冲击会损坏车。
- ! 不可让宝宝站立。

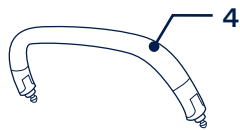
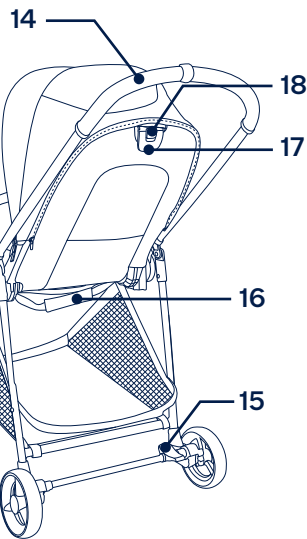
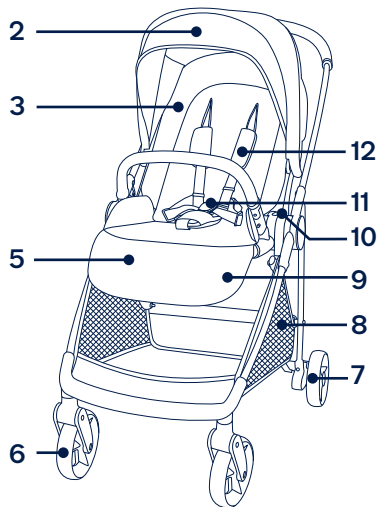
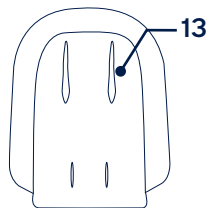
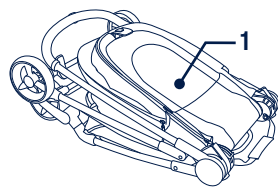
- ! 产品一次仅能乘坐一位宝宝。
- ! 禁止在上下楼梯/手扶梯时使用手推车。
- ! 安全带或束缚系统必须正确的扣合及使用。
且安全带与束缚系统的使用，不能取代成人的看护。
- ! 将宝宝放入或抱出手推车时，务必确认刹车已处于锁定状态。
- ! 此手推车适用于新生-15kg宝宝使用。
- ! 让您的孩子接近手推车前，请务必确认手推车及各部件已开启、安装到位。
- ! 超载、不正确的收合、使用非经核准的零配件都可能造成手推车损坏、故障或不安全，请务必阅读说明书。
- ! 轮胎可能会在某些表面留下黑色痕迹，特别是光滑的表面，像木地板、合层板和亚麻油地板。
- ! 请勿将任何绳索或索带类物件悬挂于宝宝颈部附近，或扣在产品及其玩具上，以免导致宝宝意外窒息。
- ! 使用手推车之前，请务必去掉、销毁或是将所有附加包装远离宝宝，以防宝宝窒息。
- ! 请勿摆放超过4.5kg的物件于置物篮、0.45kg的物件于置物口袋内以免导致手推婴儿车不稳定而产生危险。(并非所有车款都有置物口袋，有些型号并无置物口袋，请依实际购买车台的配备为准)

- ! 乘载超过15kg的重量，将会导致手推车的重度磨损以及过重的负荷。
- ! 6个月以下宝宝使用时，必须使用最斜躺位置。

产品组件及各部位名称

组装前请确认所有部件已经齐全。如有遗漏，请与销售商联系。本产品无需工具进行组装。

- | | |
|-----------|-----------|
| 1 手推车架 | 10 座椅卡合按钮 |
| 2 遮阳篷 | 11 安全扣 |
| 3 座垫 | 12 肩带护片 |
| 4 扶手 | 13 小座垫 |
| 5 小腿靠 | 14 车手 |
| 6 前轮(x2) | 15 刹车踏板 |
| 7 后轮(x2) | 16 收合织带 |
| 8 置物篮 | 17 背靠调整按钮 |
| 9 小腿靠调整按钮 | 18 座椅收合按钮 |



安装手推车

打开手推车

- 1- 向上拉起车手以打开手推车架(1)
- 2- 将座椅打开(2)，听到“咔哒”声表示座椅已完全打开。

座椅换向

座椅可随使用需求换向。

- 1- 按下座椅卡合按钮(3)-1并提起座椅(3)-2
- 2- 将座椅换向后接合于车架(4)，听到“咔哒”声表示座椅已完成接合。

安装扶手

！ 宝宝乘坐时必须系上安全带，扶手并不能确保宝宝的安全。

- 1- 将扶手卡槽对准扶手座插入，听到“咔哒”声表示扶手已安装完成(5)
- 2- 按压扶手两侧释锁按钮(6)-1，两侧同时向外拉即可拆卸扶手(6)-2

产品使用

使用安全扣

- 1- 按下母扣上方的按钮(7)-1，安全扣会自动松开，将宝宝放入手推车(7)-2
- 2- 将肩带及腰部扣环与母扣结合(8)
- 3- 滑动织带(在肩带护片下方)调整织带长度(9)-1，拉紧腰部织带(9)-2，使宝宝更加舒适。

调整肩带位置

- 1- 肩带护片可上下滑动调整至适当位置(10)
！ 为避免宝宝滑出手推车而导致的严重伤害，请随时使用安全带。
请确保安全带已适当调整，宝宝与安全带间的空隙约为一只手指宽。
请勿交叉肩带以免造成孩童颈部压力。

使用遮阳篷

- 1- 打开遮阳篷，请将遮阳篷推向前方。折叠遮阳篷，请将遮阳篷拉向后方(11)
- 2- 遮阳篷中段拉链可打开以延伸遮阳篷范围(12)
- 3- 遮阳篷天窗可打开增加透气性(13)

调整小腿靠

小腿靠共有3种角度可供调节。

- 1- 段位调高时，将小腿靠支撑板由下往上推即可(14)
- 2- 段位调低时，按压小腿靠两侧的调整按钮(15)-1，同时向下调节小腿靠支撑板(15)-2

调整背靠

背靠可3段角度调节。

- 1- 调高或调低背靠角度，请按压背靠调整按钮(16)-1，向上或向下调整至所需的背靠角度(16)-2
- ！ 调整背靠高度时，请勿按压(16)-3位于背靠调整按钮中央的按钮，请确保使用合适的背靠角度。
- 6个月以下宝宝使用时，必须使用最斜躺位置。

使用刹车

- 1- 刹车时，踩下刹车踏板后端(17)
 - 2- 打开刹车时，踩下刹车踏板前端(18)
- ！ 手推车停止时，请刹车。轻轻推动手推车以确保刹车装置已启动。

收合手推车

此手推车在座椅前向或后向时皆可收合。

- 1- 收拢遮阳篷(11)
- 2- 按压背靠调整按钮中间的座椅收合钮(19)-1，并按压背靠调整按钮(19)-2
- 3- 折叠座椅(20)
- 4- 拉起收合织带，收合手推车(21)

5- 手推车收合后可站立(22)

6- 收合无安装座椅的手推车，按压椅座的收合钮(23)，手推车架可以收合站立(24)

小座垫

- 1- 安装小座垫，请将小座垫置于座椅并将肩带及腰带从小座垫的对应孔穿出(25)

使用肩带护片和胯带护片

- 1- 肩带护片和胯带护片可从织带上取下，反之即可组装(26)-(28)

拆卸及组装座布

拆卸座布请参照说明书(29)-(40)，若需组装座布，请反向操作上述步骤。

！ 使用前，请确认遮阳篷已正确安装。

维护与保养

可用湿布清洁车架和座布，请勿使用研磨剂或漂白剂。请勿使用润滑剂，因为它们会吸附灰尘和污垢。请勿将手推车储存在潮湿的地方。

请定期以水清洗轮子，并清除污垢。

为使手推车能长期使用，下雨天使用后，请用软质可吸水的布擦拭手推车。

请参考手推车上洗涤标的洗涤方式。

长期使用之后，在正常状况下，座布可能产生褪色、磨损或撕裂。

为确保安全，请使用Nuna原厂零配件。

请定期检查您的手推车功能是否正常与零件是否松弛磨损或脱落。一旦发生以上任何状况，请立即停止使用本手推车。

**IMPORTANT!
READ CAREFULLY
AND KEEP FOR
FUTURE REFERENCE**

Contents

Product Information	18
Warranty	
Contact	
Child Usage Requirements	18
Warnings	19
Parts List	22
Product Set Up	24
Product Use	25
Detach & Assemble Soft Goods	28
Cleaning and Maintenance	28

Product Information

Model Number: _____

Manufactured Date: _____

Warranty

We have purposely designed our high-quality products so that they can grow with both your child and your family. Because we stand by our product, our gear is covered by a custom warranty per product, starting from the day it was purchased. Please have the proof of purchase, model number and manufactured date available when you contact us.

For warranty information please visit:

www.nunababy.com

Click the “Warranty” link on the homepage.

Contact

For replacement parts, service, or additional warranty questions, please contact our customer service department.

info@nunababy.com

www.nunababy.com

In the United Kingdom:

infouk@nunababy.com

www.nunababy.com

NUNA International B.V.

Van der Valk Boumanweg 178 C

2352JD Leiderdorp

The Netherlands

Child Usage Requirements

This stroller seat is suitable for use with children who meet the following requirements: Birth to 15 kg or 3 years whichever comes first

WARNING

Failure to follow these warnings and instructions could result in serious injury or death.

Always use the restraint system.

Check that the seat unit attachment devices are correctly engaged before use.

Do not let the child play with this product.

Ensure that all the locking devices are engaged before use.

Never leave the child unattended.

This product is not suitable for running or skating.

To avoid injury ensure that the child is kept away when unfolding and folding this product.

Accessories which are not approved by the manufacturer shall not be used. Only replacement parts supplied or recommended by the manufacturer/distributor shall be used.

Adult assembly required.

Any load attached to the handle and/or on the back of the backrest and/or on the sides of the vehicle will affect the stability of the vehicle.

DO NOT carry additional children, goods, accessories in or on the stroller except as permitted in this manual. They may cause the stroller to become unstable.

DO NOT leave the stroller exposed in the vicinity of a strong source of heat i.e. a radiator or open fire.

DO NOT place any item on the canopy.

DO NOT store the stroller in a damp place. Always allow the fabric to dry naturally away from direct heat.

DO NOT use storage basket as a child carrier.

DO NOT use the stroller if any parts are damaged or missing.

Keep small parts away from children as they pose a choking hazard.

Negotiate curbs and rough ground carefully. Repeated impact could cause damage to the stroller.

The parking device shall be engaged when placing and removing the children.

NEVER allow children to stand on the stroller.

NEVER carry more than one child at a time in the stroller.

NEVER use the stroller on stairs or escalators. You may suddenly lose control of the stroller or your child may fall out.

NEVER carry more than one child at a time in the stroller

Overloading, incorrect folding, and the use of accessories e.g. child seats, bag hooks, rain covers, buggy boards, etc... other than those approved by Nuna may damage or make the stroller unsafe.

STRANGULATION HAZARD Do not place items

with a string around your child's neck, suspend strings from this product, or attach strings to toys.

To avoid any danger of suffocation, remove all plastic covers before using this item and destroy or keep away from babies and children!

To prevent a hazardous, unstable condition, do not place more than 4.5 kg in the storage basket and more than 0.45 kg in the storage pocket. (Storage pocket is not standard for all models, some models may not have the storage pocket. Please check your product when you purchase it.)

ALWAYS check ventilation when the rain cover is on the product.

ALWAYS check that the rain cover has been cleaned and dried before folding.

DO NOT fold the pushchair when the rain cover is attached.

DO NOT place your child in the pushchair in hot weather with the rain cover attached.

Make sure the harness is adjusted properly and your child is snugly secured. The space between the child and the shoulder harness should be about the thickness of one finger. **DO NOT** cross the shoulder belts. This will cause pressure on your child's neck.

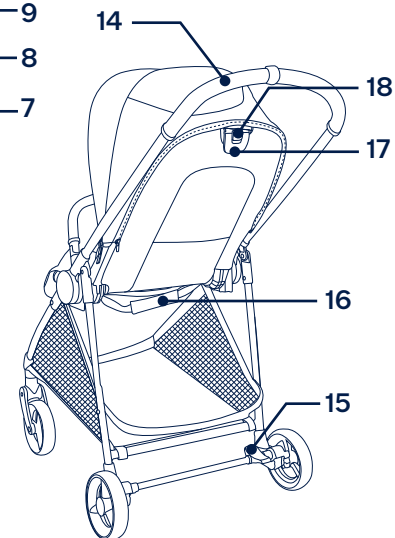
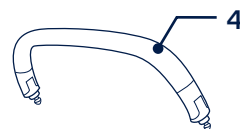
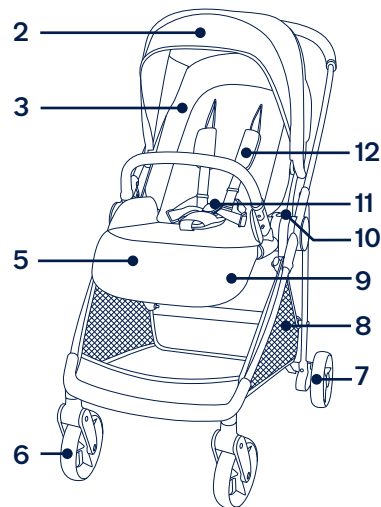
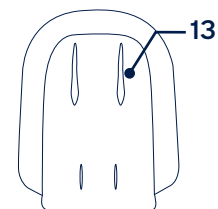
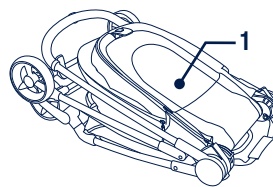
Rubber tires may leave black scuff marks on smooth surfaces such as parquet, laminate and linoleum.

USE the most reclined position for new born babies.

Parts List

Make sure all parts are available before assembly.
If any part is missing, please contact local retailer. No tools are required for assembly.

- | | |
|----------------------------------|------------------------------|
| 1 Stroller Frame | 10 Seat Release Button |
| 2 Canopy | 11 Buckle |
| 3 Seat Pad | 12 Shoulder Harness Pad |
| 4 Arm Bar | 13 Insert |
| 5 Calf Support | 14 Handle |
| 6 Front Wheel (x2) | 15 Brake Lever |
| 7 Rear Wheel (x2) | 16 Folding Webbing |
| 8 Storage Basket | 17 Recline Adjustment Button |
| 9 Calf Support Adjustment Button | 18 Folding Release Button |



Product Set Up

Open Stroller

- 1 - Rotate the handle up to open the stroller frame. **(1)**
- 2 - Pull the seat to open it. **(2)**

A “click” sound means the seat is open.

Switch Seat

Please switch seat if you needed.

- 1 - Press the seat release button **(3)-1** and lift the seat up **(3)-2**.
- 2 - Reverse the seat, and then attach it to the frame. **(4)**

A “click” sound means the seat is attached completely.

Arm Bar

- 1 - Align the arm bar ends with the arm bar mounts, and insert until it clicks into place. **(5)**
A “click” sound means the arm bar is assembled completely.
- 2 - To remove the arm bar, press the arm bar release buttons **(6)-1** and remove the arm bar **(6)-2**.

Product Use

Securing Your Child

- 1 - Push the top button on the buckle **(7)-1** to release the buckle latch and remove the magnetic clips **(7)-2**. Place your child in the stroller.
- 2 - Insert the magnetic clips into the buckle. **(8)**
- 3 - Fit the harness snugly to your child by pulling the adjustment straps to tighten **(9)-1**. Then pull the waist adjustment straps out **(9)-2**.

Shoulder Harness Position

- 1 - The upper shoulder harness pad can be moved up and down for added adjustment. **(10)**

Make sure the harness is adjusted properly and your child is snugly secured. The space between the child and the shoulder harness should be about the thickness of one finger.

Canopy

- 1 - To open the canopy, pull the canopy toward the front of the seat, and to fold, push it back. **(11)**
- 2 - Open the zipper on the canopy for extra shade. **(12)**
- 3 - For added ventilation, flip the canopy window cover up. **(13)**

Calf Support

The calf support has 3 use positions.

- 1** - To raise calf support, push the calf support from position 1 to position 3. **(14)**
- 2** - To lower calf support, press two adjustment buttons on the bottom of the calf support **(15)-1**, and rotate the calf support downwards. **(15)-2**

Recline

There are 3 recline positions for the backrest.

- 1** - To raise or lower the backrest, squeeze the recline adjustment button **(16)-1**, and pull the backrest up or down **(16)-2**.
- !** Please do not press the button **(16)-3** on the middle of the recline adjustment button when adjusting the angle for the recline.

USE the most reclined position for new born babies.

Brake

- 1** - To lock wheels, step the rear end of the brake lever downwards. **(17)**
- 2** - To release wheels, step the front end of the brake lever downwards. **(18)**

Fold

The stroller can be folded with forward facing seat or rear facing seat or without the seat.

- 1** - Fold the canopy. **(11)**
- 2** - Press the folding release button **(19)-1** on the middle of the recline adjustment button and then squeeze the recline adjustment button **(19)-2**.
- 3** - Fold the seat. **(20)**
- 4** - Pull the folding webbing of the seat to fold the stroller. **(21)**
- 5** - The stroller can stand after folded. **(22)**
- 6** - Fold the stroller without seat on it, press the folding buttons of the seat mounts. **(23)** The stroller frame can stand after folded. **(24)**

Insert

- 1** - To assemble the insert, place the insert over the seat and thread the shoulder, waist and crotch harnesses through their respective slots. **(25)**

Shoulder Harness Cover and Crotch Harness Cover

- 1** - The shoulder harness cover or crotch harness cover can be removed from the webbing. To assemble shoulder harness cover and crotch harness cover in reverse steps. **(26) - (28)**

Detach & Assemble Soft Goods

To detach seat soft goods, follow the steps (29) - (40) as shown, and to re-assemble seat soft goods, follow the steps above in reverse.

- ! Before using, please check that the canopy has been installed correctly.

Cleaning and Maintenance

Clean the frame, plastic parts, and fabric with a damp cloth, but do not use abrasives or bleach. Do not use silicon lubricants as they will attract dirt and grime. Do not store your stroller in a damp place.

Clean the stroller wheels regularly with water and remove any dirt.

To ensure long-lasting use, wipe the stroller off with a soft, absorbent cloth after using it in rainy weather.

Refer to the care label attached to the soft goods for washing and drying instructions.

It is normal for fabric to color from sunlight and to show wear and tear after a long period of use, even when used normally.

For reasons of safety, only use original Nuna parts.

Check regularly if everything functions properly. If any parts are torn, broken, or missing, stop using this product.