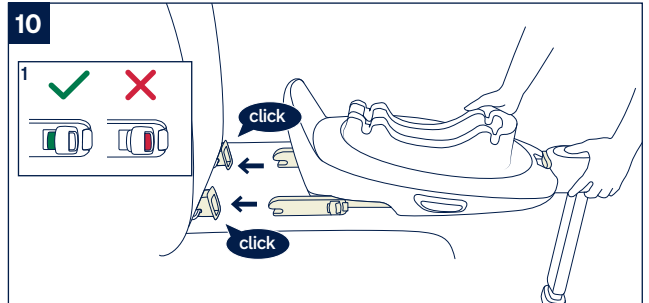
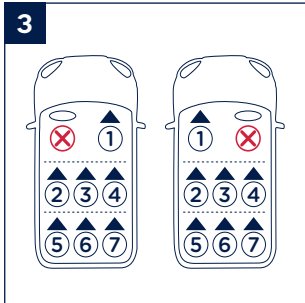
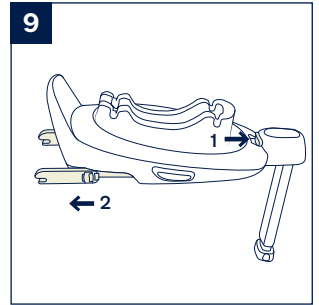
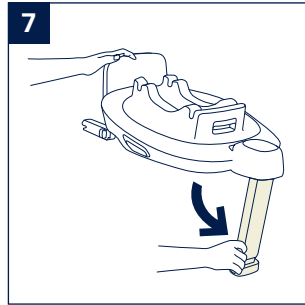
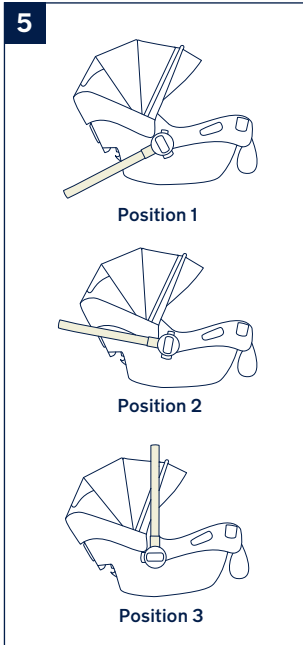
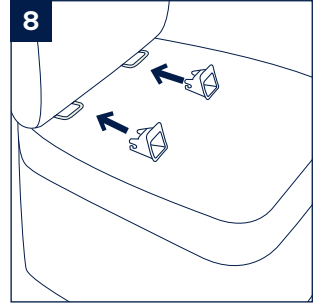
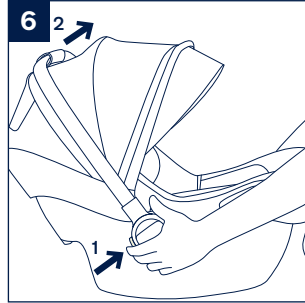
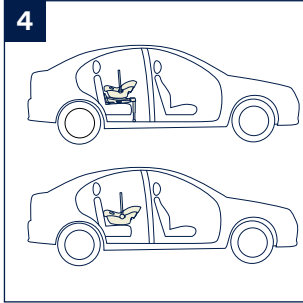
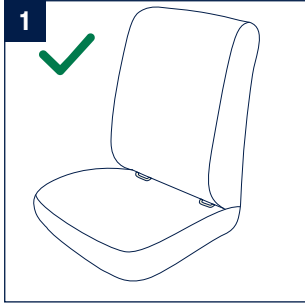
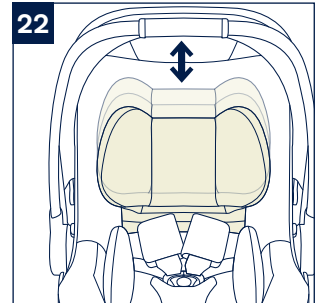
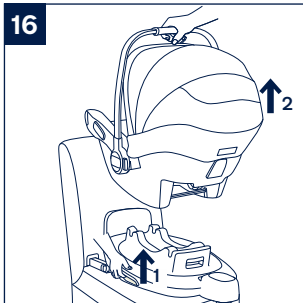
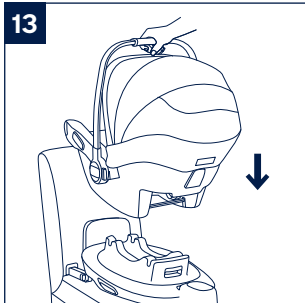
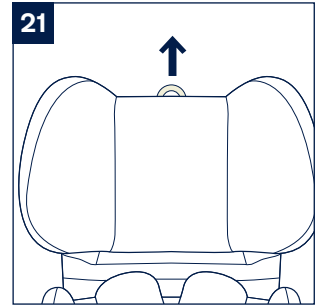
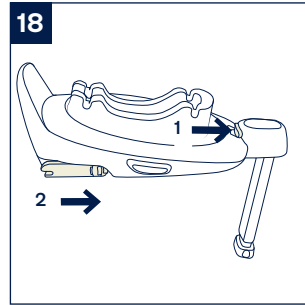
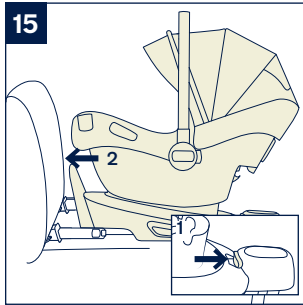
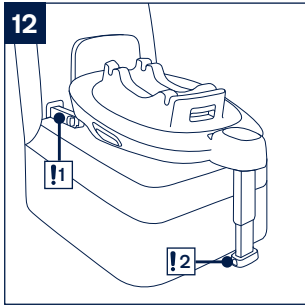
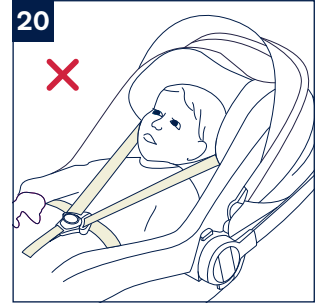
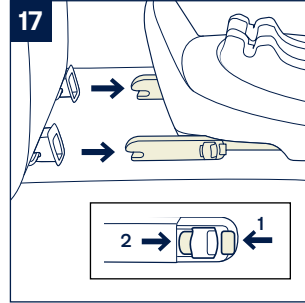
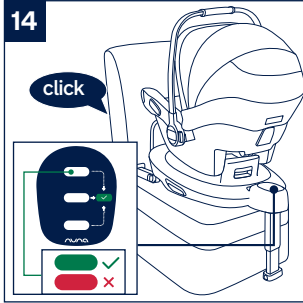
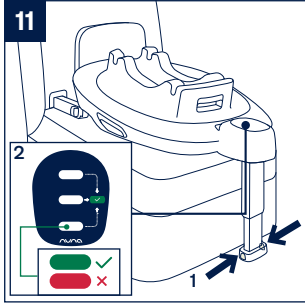
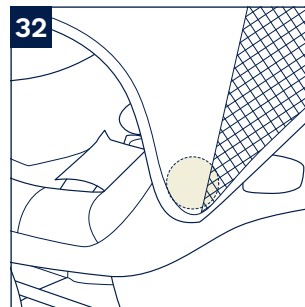
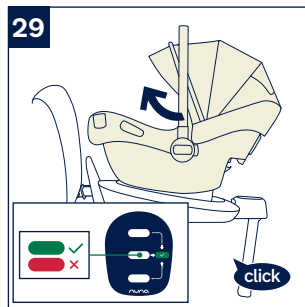
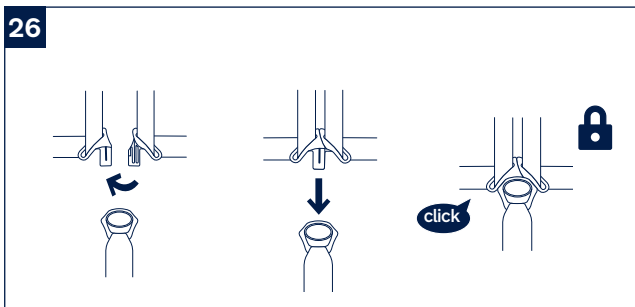
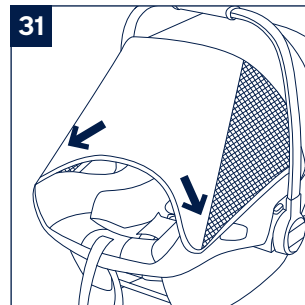
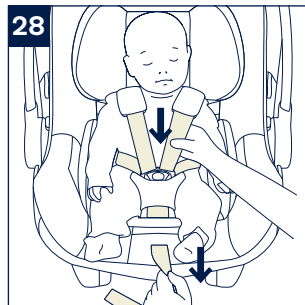
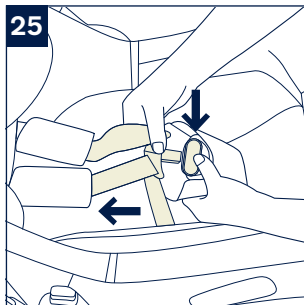
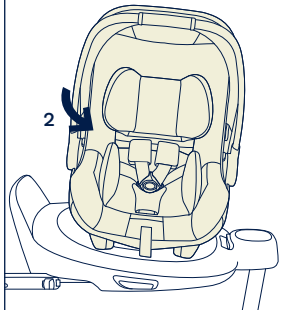
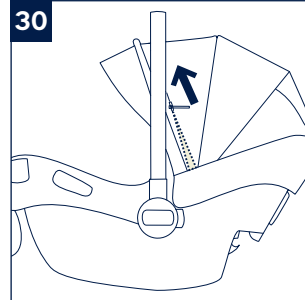
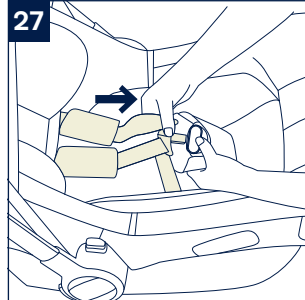
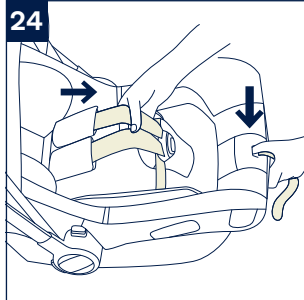
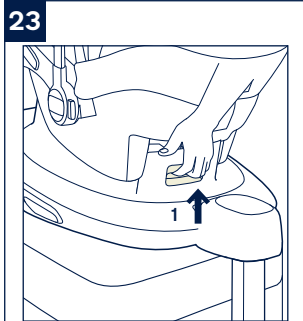


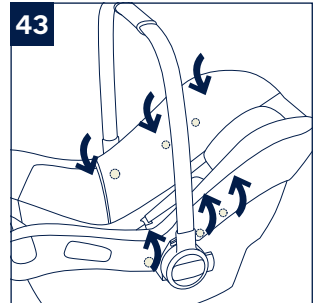
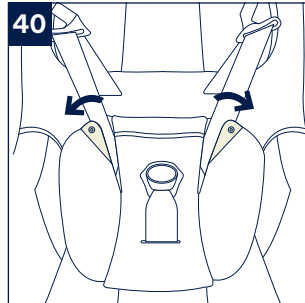
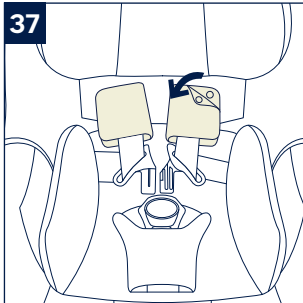
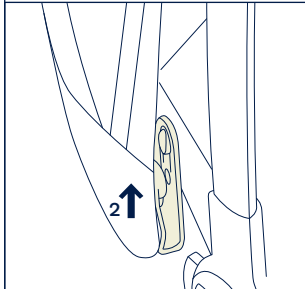
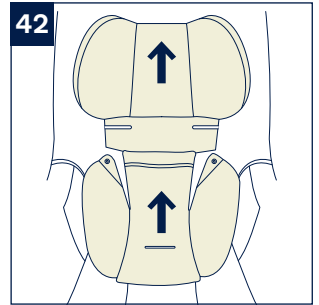
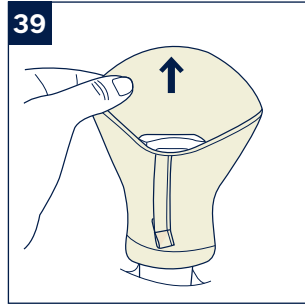
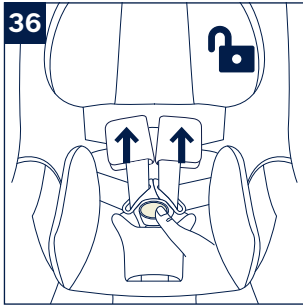
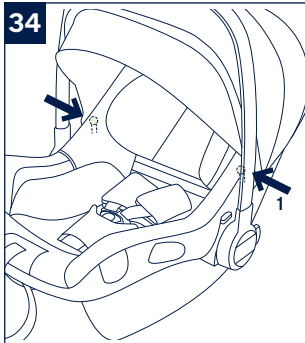
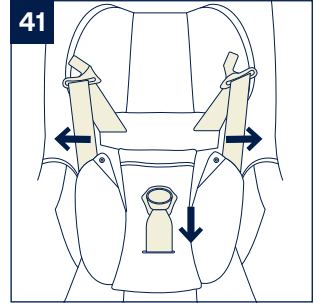
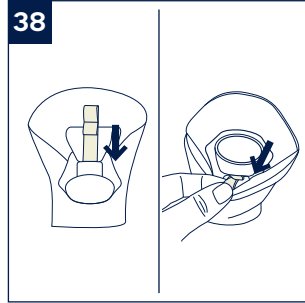
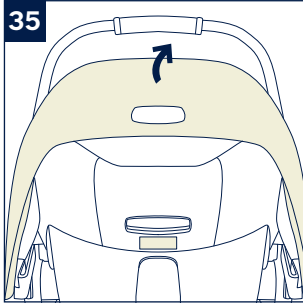
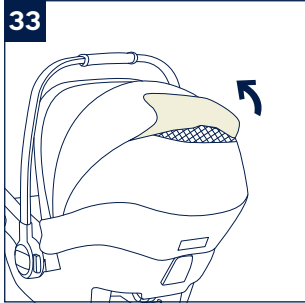
*Designed*  
**around your life**

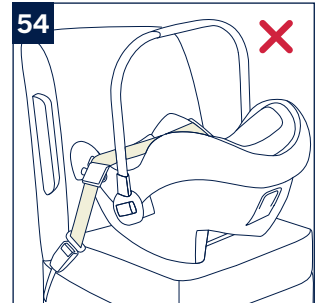
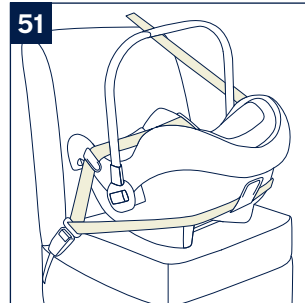
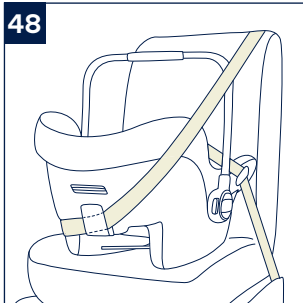
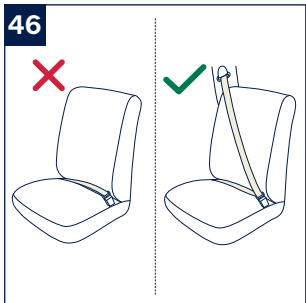
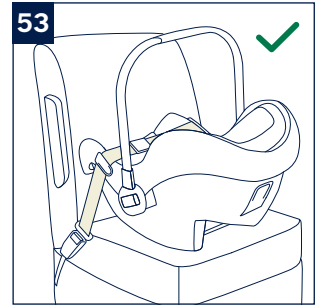
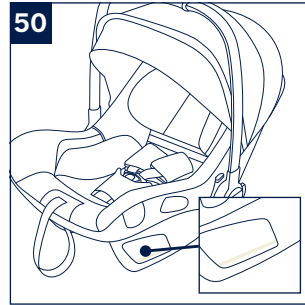
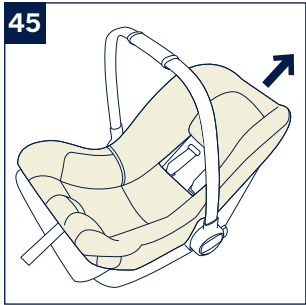
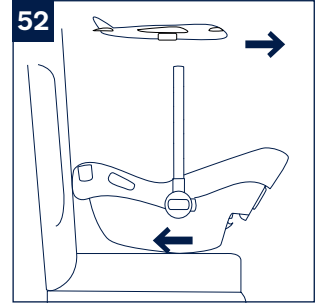
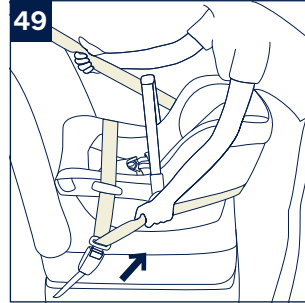
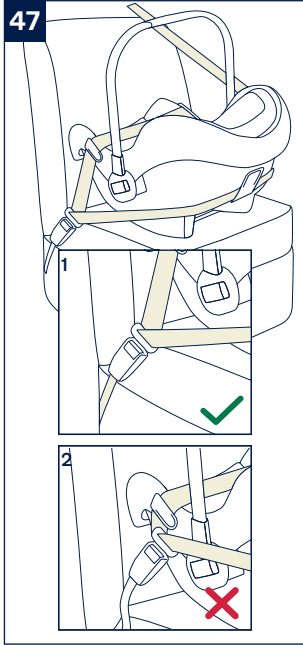
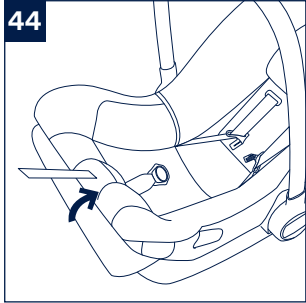
**nuna®**











# 重要！保留以備參照， 請詳細閱讀

使用產品前請仔細閱讀本說明書，  
並妥善保存說明書以便日後參考。

## 目錄

產品資訊	3
保固與售後服務	
保固條件	
兒童使用要求	4
安全須知與注意事項	5
警告	6
產品組件及各部件名稱	8
產品使用	9
汽車安裝資訊	13
<b>English</b>	<b>15</b>

## 產品資訊

產品名稱： \_\_\_\_\_

生產日期： \_\_\_\_\_

### 保固與售後服務

產品於保固期間內發生問題，請與零售商聯絡；若零售商無法提供服務，他們會聯絡當地的Nuna經銷商。產品在正常使用和老化中產生的自然磨損與劣化，並不在保固範圍內。請留意產品下方的產品型號與生產日期序號。當有保固需求時，請提供以上產品資訊。

請至[www.nunababy.com/tw/gear-registration](http://www.nunababy.com/tw/gear-registration)網站登記您購買的產品。

### 保固條件

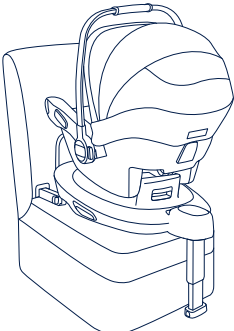
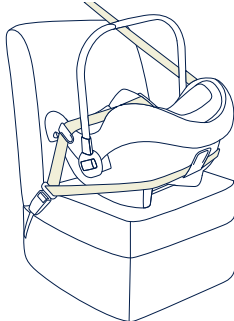
保固始於產品購買日。我們提供維修服務，但不提供產品退換。保固期限不會因零件更換或維修而延長。Nuna有權利針對產品進行改善設計，此前製造的產品則無更換之義務。

相關保固資訊，詳見官網：[www.nunababy.com/tw/warranty](http://www.nunababy.com/tw/warranty)

品名	汽車用兒童保護裝置
型號	PIPA next, CS102
適用範圍	13公斤(約1.5歲)以下的寶寶
質量等級	O+級
主要材質	塑膠、五金、布
原產地	中國

## 兒童使用要求

您的孩子必須完全符合以下要求，才可以使用本產品：

圖示說明	適用範圍
	13公斤(約1.5歲)以下的寶寶
	13公斤(約1.5歲)以下的寶寶



# 安全須知與注意事項

## 本體與底座配合使用

- 1- 此為ISOFIX兒童保護裝置。符合安全標準CNS 11497。用於裝有ISOFIX固定器系統之車輛座椅。
- 2- 它安裝適用於車輛配有經認可之ISOFIX安裝位置。(請參照車輛使用手冊)請依此兒童保護裝置之種類及ISOFIX尺度等級，安裝於附有ISOFIX固定器之車輛座椅上。
- 3- 此兒童保護裝置使用之質量等級為：0+，ISOFIX尺度等級為：C、D。
- 4- 此兒童保護裝置被歸類為“半通用型”，適用車輛座椅位置之安裝。
- 5- 其他車輛型式亦有可能適用此兒童保護裝置。若有疑問，請洽兒童保護裝置製造商或進口商。

## 本體單獨使用

### 三點式安全帶安裝兒童保護裝置

- 1- 此為“通用型”兒童保護裝置，符合安全標準CNS 11497。其適用大部分(並非全部)之車輛座椅。
- 2- 若車輛製造商在車主使用手冊中述明其可適用此質量等級之“通用型”兒童保護裝置，則本裝置可安裝於該車輛上。
- 3- 此兒童保護裝置歸類為“通用型”，比其他無標示此注意事項之兒童保護裝置可適用於較多車輛。
- 4- 若有疑問，請洽兒童保護裝置製造商或進口商。
- 5- 此兒童保護裝置適用符合CNS 3972或其他等效標準之三點式安全帶(不含兩點式安全帶)之車輛座椅上。台灣區域使用請依照CNS標準規範。

## 警告

必須小心定位和安裝兒童保護裝置，以免被可移動車輛座椅或車門卡住。

對後向兒童保護裝置，不得使用於裝置正面氣囊之車輛座椅位置。

兒童保護裝置適用於體重13公斤(約1.5歲)以下的寶寶。

任何束縛兒童保護裝置至車輛之織帶應束緊，任何束縛兒童之織帶應根據兒童身體進行調整，且此織帶不應扭曲。

將寶寶放在本兒童保護裝置後，必須正確的扣合及使用兒童保護裝置安全帶，並確保腰部織帶佩戴時能有效束縛骨盆部位。

本兒童保護裝置若於意外中遭受劇烈撞擊後，不可繼續使用，應立即更換兒童保護裝置。意外可能導致兒童保護裝置產生潛在危險。

請勿擅自改造本兒童保護裝置，或使用其他廠商生產的零件來配合本兒童保護裝置使用，會對寶寶造成危險。沒有認證許可的產品和經過改裝的產品是危險的，並且附近沒有製造商提供的安裝說明也是很危險的。

請讓兒童保護裝置遠離日光，以免產品溫度過高對兒童的皮膚造成傷害。

在無人照料下，不得讓兒童留在兒童保護裝置內。

任何行李或其他可能在碰撞中造成傷害之物品應適當牢固。

當本兒童保護裝置沒有座布時，請勿使用，因座布為兒童保護裝置束縛性能之整體構成要件。請勿使用非本製造商推薦的座布，否則會影響兒童安全座椅的總體性能。

不可使用除使用說明書中所標註以外之其他受力點。

請勿使用其它廠商生產的兒童保護裝置座墊。請與進口商聯繫只可使用Nuna配件更換零件。

不正確使用或安裝本兒童保護裝置，當緊急剎車和急轉彎時，可能會導致嚴重受傷或死亡的危險。

有關零件更換或維修問題，請向進口商諮詢。

請勿使用說明書中未有顯示的任何配件。

請勿將未固定住的兒童保護裝置留在車內，以免緊急剎車時，傷害到其他乘客。若不經常使用兒童保護裝置時，請將其搬離汽車座椅。

請勿使用已經損壞或缺失零件的兒童保護裝置。請勿使用切割過的、磨損的或損壞的兒童保護裝置。

請勿把本兒童保護裝置當作平常的椅子使用，會容易翻倒造成傷害。不可使用繩子等其他物件代替汽車安全帶，以免兒童被意外勒住。

請勿讓您的寶寶穿過大的衣物，所穿的衣物必須能讓兒童保護裝置的安全帶適當而安全地扣在寶寶兩腿之間。

請勿在未閱讀或了解本兒童保護裝置說明書及汽車說明書之前，使用或安裝本兒童保護裝置。因為可能會導致嚴重受傷或死亡的危險。

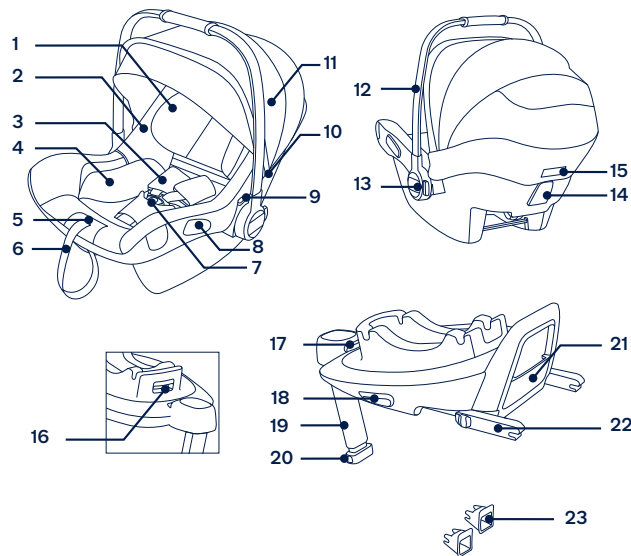
請勿使用二手兒童保護裝置或來歷不明的兒童保護裝置，因為它們可能存在危害乘坐兒童安全的潛在危險。

使用本產品前，請取掉PE袋和包裝材料，並放到嬰兒和兒童觸摸不到的地方。

兒童保護裝置不能安裝於前座之位置。

## 產品組件及各部件名稱

- |           |               |
|-----------|---------------|
| 1 頭靠      | 13 把手調整按鈕     |
| 2 座布      | 14 後向卡槽       |
| 3 肩帶護片    | 15 釋鎖按鈕B      |
| 4 小座墊     | 16 旋轉按鈕       |
| 5 織帶調整按鈕  | 17 ISOFIX調整按鈕 |
| 6 調整織帶    | 18 本體釋鎖按鈕     |
| 7 安全扣     | 19 支撐腳        |
| 8 側面卡槽    | 20 支撐腳調整按鈕    |
| 9 釋鎖按鈕A   | 21 說明書存放處     |
| 10 遮陽篷固定座 | 22 ISOFIX連接器  |
| 11 遮陽篷    | 23 ISOFIX導向器  |
| 12 把手     |               |



# 產品使用

## 安裝注意事項

- ! 此兒童保護裝置適用於裝有ISOFIX連接裝置的車輛座椅(1)
- ! 對後向兒童保護裝置，不得使用於裝置正面氣囊之車輛座椅位置，可能發生死亡或嚴重傷害(2)。請參考汽車說明書的相關說明。
- ! 請勿將此兒童保護裝置安裝在相對於汽車的行駛方向橫向或後向的汽車座椅上(3)
- ! 請將此兒童保護裝置安裝於汽車後座(4)
- ! 請勿將此產品安裝於可移動的汽車座椅上。

## 調整把手

- 1- 兒童保護裝置的把手有3個段位可供調整(5)
- 2- 調整把手位置時，先按壓兩邊的把手調整按鈕(6)
- 3- 將把手旋轉到適合段位後再鬆開把手調整按鈕。

## 安裝底座

- 1- 展開底座支撐腳(7)
- 2- 將ISOFIX導向器固定到ISOFIX固定點上(8)，ISOFIX導向器既可防止汽車座椅表面被刮破，又可為ISOFIX連接器導向。
- 3- 按壓ISOFIX調整按鈕調整ISOFIX連接器(9)
- 4- 將ISOFIX連接器與ISOFIX導向器對齊後，將ISOFIX連接器插到ISOFIX固定點上(10)
  - ! 請確定左右兩邊的ISOFIX連接器都已牢固固定到ISOFIX固定點上。且兩個ISOFIX連接器上的指示器應顯示綠色(10)-1
  - ! 同時往外拉兩邊的ISOFIX連接器，以確保ISOFIX連接器已固定。
- 5- 將底座置於合適的汽車座椅，將支撐腳延伸到地面(11)。支撐腳正確安裝時，支撐腳指示器顯示綠色，否則顯示紅色(11)-2
  - ! 支撐腳有多個段位可調，支撐腳指示器顯示紅色時，表示支撐腳處於錯誤段位，請重新操作至正確位置為止。
  - ! 請確保支撐腳與汽車地面完全接觸。
  - ! 按壓支撐腳調整按鈕可將支撐腳向上調整(11)-1。組裝好的底座如圖(12)
  - ! ISOFIX連接器須鎖定在ISOFIX固定點上(12)-1

- ! 底座支撐腳須正確固定，並以綠色顯示(12)-2
- 6- 將嬰兒提籃卡入底座內(13)，如果提籃固定正確，提籃指示器將顯示綠色，否則顯示紅色(14)
    - ! 將嬰兒提籃向上提，以確保提籃已正確固定於底座內。
  - 7- 按壓底座ISOFIX調整按鈕同時將底座緊貼汽車座椅靠背(15)
  - 8- 釋鎖嬰兒提籃時，按壓本體釋鎖按鈕(16)-1，同時將提籃往上提即可(16)-2
  - 9- 移除底座時，按壓兩側ISOFIX連接器上的第二道安全鎖(17)-1與釋鎖按鈕(17)-2，然後將底座向外拉即可(17)
  - 10- 按壓ISOFIX調整按鈕可將ISOFIX連接器儲存在底座下方(18)

## 頭靠及肩帶高度調整

調整頭靠位置，並且檢查肩帶是否在適當位置。請選擇合適的肩帶高度。

- ! 肩帶須穿過最接近真實肩膀位置的肩帶孔(19)，肩帶位置太高是不正確的(20)
- ! 若肩帶位置不合適，意外發生時可能造成寶寶被拋出兒童保護裝置的危險。

拉起頭靠調整手把(21)，同時上下滑動頭靠到合適高度，頭靠高度共有7個段位，調整如圖(22)所示。

## 寶寶乘坐

使用小座墊



將兒童放至座椅以後，檢查肩帶是否在適當的高度。

- 1- 按壓旋轉按鈕可以旋轉本體方便兒童從側面進出(23)
- 2- 按壓織帶調整按鈕，同時將肩帶拉出至適當長度(24)
- 3- 按壓紅色按鈕，鬆開安全扣(25)

- 4- 將寶寶放入兒童保護裝置，並扣合安全扣(26)(27)
- 5- 向外拉調整織帶，以調緊肩帶(28)
  - ! 確保兒童與肩帶之間須可以放進一個手掌的厚度。
- 6- 本體旋轉至後向模式，兒童保護裝置的方向指示器將顯示綠色，否則顯示紅色(29)

## 遮陽篷

- 1- 拉開遮陽篷上方的拉鍊(30)
- 2- 拉出遮陽片(31)
- 3- 通過磁鐵固定在兒童保護裝置兩側(32)
- 4- 打開遮陽篷後片方便通風(33)

## 拆卸及組裝座布

見圖(34)-(45)

依相反步驟即可重新組裝座布。

## 本體單獨使用

- 1- 請勿使用車輛座椅兩點式安全帶安裝本兒童保護裝置。此兒童保護裝置僅適合安裝在設置有三點式安全帶的車輛座椅上（不使用底座時）(46)
- 2- 將兒童保護裝置置於合適的車輛座椅上，拉出車輛安全帶後扣好車輛安全扣，再將車輛腰帶卡入兒童保護裝置兩邊的卡槽內(47)
  - ! 車輛安全帶母扣段若太長，接觸到或超過兒童保護裝置受力點位置，則不能使用。如對這個點有疑問的話，建議與兒童保護裝置製造商聯絡(47)-1
- 3- 將車輛肩帶卡入兒童保護裝置後面的卡槽內(48)
- 4- 用力拉緊車輛安全帶，使車輛安全帶緊實的繫住兒童保護裝置(49)
- 5- 當兒童保護裝置安裝時，必須保證兒童保護裝置貼標上的水平線保持水平(50)
  - ! 盡力拉緊車輛安全帶，並確定車輛安全帶沒有鬆弛或扭曲。
  - ! 兒童保護裝置安裝後，請經常檢查車輛安全帶捆綁正確以及安全牢固地插入車輛安全扣內(51)

## 飛機上使用

- ! 不正確安裝和使用說明書，兒童的安全沒有保障。

- ! 兒童保護裝置在飛機座椅上的安裝不同於在汽車座椅上的安裝。
- ! 允許在飛機上使用兩點式安全帶安裝兒童保護裝置。
- ! 即使兒童保護裝置內沒有嬰兒時，也必須保持用安全帶固定在飛機座椅上。
- ! 兒童保護裝置僅用在航空公司授權的乘坐座位上。
- ! 不要在氣囊展開區域使用兒童保護裝置(2)
- ! 將兒童保護裝置後向安裝與飛行方向相反的方向放置在乘客座椅上(52)

## 飛機座椅安全帶安裝兒童保護裝置

- 1- 將兒童保護裝置後向安裝與飛行方向相反的方向放置在乘客座椅上。
- 2- 確保手把位於垂直地面位置。
- 3- 將安全帶穿過兩側的導向器。
- 4- 扣合安全帶（參考航空公司的安全說明）。
- 5- 拉緊安全帶(53)
  - ! 安全帶扣具絕不能位於側面卡槽之內(54)

## 移除

打開飛機座椅安全帶（參考航空公司的安全說明）。

可以將兒童保護裝置從乘客座椅上取下。

## 維修與保固

請使用30度以下水溫清洗。

請勿使用熨斗熨燙。

請勿使用漂白劑及乾洗。

請勿使用未經稀釋的中性清潔劑、汽油或其他有機溶劑清洗兒童保護裝置，否則可能對兒童保護裝置造成損壞。

使用溫和的洗滌劑，水和柔軟的布清洗兒童保護裝置。

請勿大力扭乾，過分大力扭乾可能留下皺褶。

請於陰涼處鋪平晾乾。

當長時間不使用本兒童保護裝置時，請將本兒童安全座椅從汽車座椅上拆除，並存放於陰涼處及實質不易接觸的地方。

## 汽車安裝資訊

此兒童保護裝置使用底座階段時，被歸類為“半通用型”，適用安裝在大部分（並非全部）之車輛座椅位置。下圖中的數字與“汽車安裝資訊”內的數字相對應。其他車輛型式亦有可能適用此兒童保護裝置，以下車型為車款安裝適配性資料。若有疑問，請洽兒童保護裝置製造商或進口商。

請勿將本兒童保護裝置安裝在汽車前座上。

對後向兒童保護裝置，不得安裝在裝有正面氣囊的車輛位置上。

購買車輛前，請檢查其是否配置有相應的連接裝置。

- 表示汽車座椅可安裝本兒童保護裝置。
- x 表示汽車座椅不可安裝本兒童保護裝置。

如果您的汽車品牌未被列入本說明書或未用“•”或“x”進行標示，請查閱您的汽車手冊或聯絡兒童保護裝置製造商，以進一步了解相關資訊。

此汽車資訊信息是收集車輛及汽車座椅後仔細編制的。對於明細的準確性不承擔任何責任，目的僅用於指導。建議您在購買時檢查您所購買的兒童保護裝置與您的汽車是否匹配。



**IMPORTANT!  
KEEP THESE  
INSTRUCTIONS FOR  
FUTURE REFERENCE:  
*READ CAREFULLY***

## Contents

<b>Product information</b>	17
Product Registration	
Warranty	
<b>Child Usage Requirements</b>	18
<b>Warning</b>	20
<b>Parts List</b>	23
<b>Product Use</b>	25
<b>Cleaning and Maintenance</b>	30
<b>Vehicle Fitting Information</b>	31

## Product Information

Model Number: \_\_\_\_\_

Manufactured Date: \_\_\_\_\_

### Product Registration

Please fill in the above information. The model number and the manufactured in date are located on the bottom of the PIPA next and BASE next base.

To register your product please visit:  
[www.nunababy.com/tw/gear-registration](http://www.nunababy.com/tw/gear-registration)

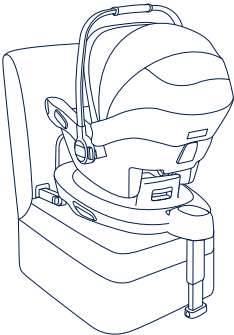
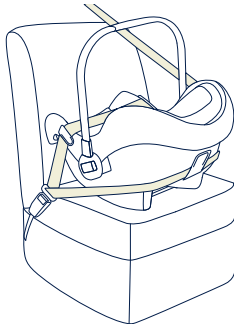
### Warranty

We have purposely designed our high-quality products so that they can grow with both your child and your family. Because we stand by our product, our gear is covered by a custom warranty per product, starting from the day it was purchased. Please have the proof of purchase, model number and manufactured in date available when you contact us.

For warranty information please visit:  
[www.nunababy.com/tw/warranty](http://www.nunababy.com/tw/warranty)

## Child Usage Requirements

This product is suitable for use with children who meet the following requirements:

Figure for Installation	Suitable for
	Child height 40cm-83cm/ Child weight ≤13kg (approximately 15 months old or under)
	Child height 40cm-83cm/ Child weight ≤13kg Child age ≤15 months

- 1 - “i-Size” (Integral Universal ISOFIX Enhanced Child Restraint Systems) is a category of Enhanced Child Restraint System primarily designed for use in all i-Size seating position of a vehicle.
- 2 - The Enhanced Child Restraint with base is a Universal ISOFIX Enhanced Child Restraint and should be fitted using the ISOFIX connections.
- 3 - This is an “i-Size” Enhanced Child Restraint System, for use in i-Size compatible vehicle seating positions as indicated by vehicle manufacturers in the vehicle users’ manual.
- 4 - This is an Universal Belted Enhanced Child Restraint System, for use primarily in “Universal seating positions” as indicated by vehicle manufacturers in the vehicle user’s manual.
- 5 - If in doubt, consult either the Enhanced Child Restraint System manufacturer or the retailer.
- 6 - PIPA next child restraint is compatible with:  
BASE next base

Please refer to instruction manual for the installation of base.

## **WARNING**

**Failure to follow these warnings and instructions could result in serious injury or death.**

Any straps holding the infant carrier module to the vehicle should be tight, that any load leg should be in contact with the vehicle floor, that any straps restraining the child should be adjusted to the child’s body, and that straps should not be twisted.

After your child is placed in this enhanced child restraint, the safety belt must be used correctly.

Any luggage or other objects liable to cause injuries in the event of a collision shall be properly secured.

Be sure that the enhanced child restraint is installed in such a way that no part of it interferes with movable seats or in the operation of vehicle doors.

Before carrying the infant carrier module by hand, ensure that the child is fastened with the child harness, and that the handle is correctly locked in a vertical position.

Consult the distributor for issues concerning maintenance, repair and part replacement.

Correct Installation is only permitted by use of the ISOFIX connectors.

Frequently check the ISOFIX guides for dirt and clean them if necessary. Reliability can be effected by ingress of dirt, dust, food particles etc.

Please check before you purchase this enhanced child restraint to make sure it can be installed properly in your vehicle.

Please keep this enhanced child restraint without a textile cover away from sunlight, because it may be too hot for child’s skin. Always touch the Enhanced Child Restraint before placing child in it.

To use this enhanced child restraint with the ISOFIX connections, your child must meet the following requirements.

Child height 40cm-83cm/Child weight≤13kg (approximately 15 months old or under).



To use this infant carrier module with vehicle belt, your child must meet the following requirements.

Child height 40cm-83cm/  
Child weight  $\leq$  13kg/Child age  $\leq$  15 months.

The enhanced child restraint system soft goods should not be replaced with any other than the ones recommended by the manufacturer, because the soft goods constitutes an integral part of the restraint performance.

To avoid the risk of falling out, always secure the child using the child harness when the child is placed in infant carrier module, even when the enhanced child restraint is not in the vehicle.

To avoid serious injury or death, **NEVER** place infant carrier module on elevated surface seat with child in it.

The parts of this enhanced child restraint should not be lubricated in any way.

Remove this infant carrier module and base from the vehicle seat when it is not in regular use.

**ALWAYS** secure child in enhanced child restraint, even on short trips, as this is when most accidents occur.

**NEVER** leave your child unattended with this enhanced child restraint.

**NEVER** use a second-hand enhanced child restraint or an enhanced child restraint whose history you do not know because it may have structural damage that endangers your child's safety.

**NEVER** use ropes or any other substitutes to secure enhanced child restraint in vehicle or to secure child into enhanced child restraint.

**NO** enhanced child restraint can guarantee full protection from injury in an accident. However, proper use of this enhanced child restraint will reduce the risk of serious injury or death to your child.

**DO NOT** use the rearward facing enhanced child restraint systems in seating positions where there is an active frontal airbag installed. Death or serious injury may occur. Please reference vehicle owner's manual for more information.

**DO NOT** place any objects in the load leg area in front of your base.

**DO NOT** use any load bearing contact points other than those described in the instructions and marked on the enhanced child restraint.

**DO NOT** continue to use this enhanced child restraint after it has suffered any type of crash, even a minor one. Replace immediately as there may be invisible, structural damage from the crash.

**DO NOT** install this enhanced child restraint without following the instructions in this manual or you may put your child at serious risk of injury or death.

**DO NOT** make any modification to this enhanced child restraint or use it along with component parts from other manufacturers.

**DO NOT** use the enhanced child restraint system without the soft goods.

**DO NOT** use this enhanced child restraint if it has damaged or missing parts.

**DO NOT** have your child in large/oversized clothes because this may prevent your child from being properly and securely fastened by the shoulder harness straps and the crotch strap between the legs.

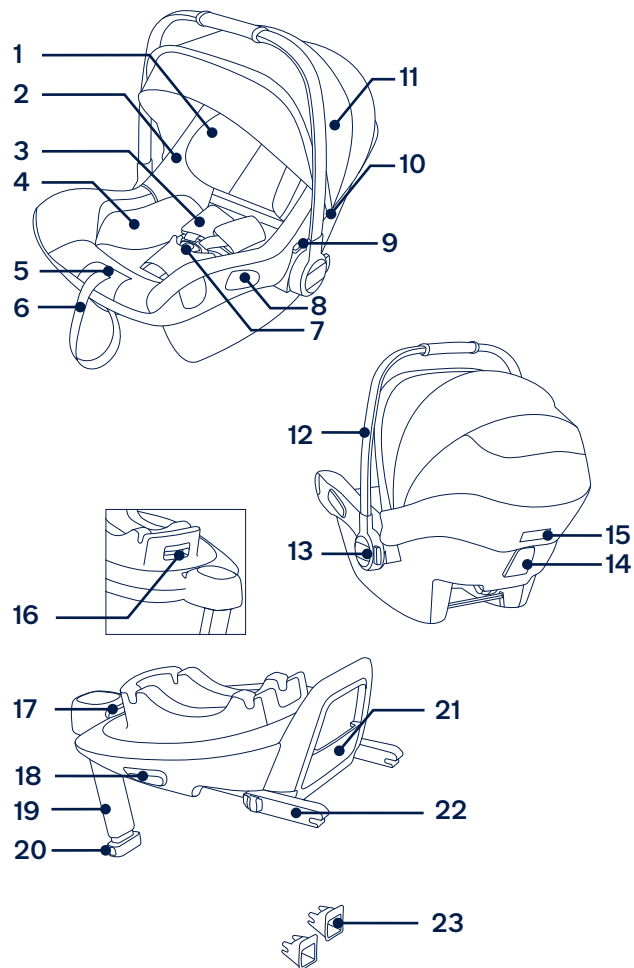
**DO NOT** leave this enhanced child restraint, or other items unbelted or unsecured in your vehicle because an unsecured enhanced child restraint can be thrown around and may injure occupants in a sharp turn, sudden stop, or collision.

**DO NOT** put anything other than the recommended inner cushions in this enhanced child restraint.

## Parts List

Make sure all parts are available before assembly. The infant carrier module and base can be sold separately. If any part is missing, please contact local retailer. No tools are required for assembly.

- |                             |   |
|-----------------------------|---|
| 1 Head support              | 13 Handle Button                          |
| 2 Seat Pad                  | 14 Rear Guide                             |
| 3 Shoulder Harness Straps   | 15 Stroller Release Button B              |
| 4 Infant Insert             | 16 Rotating button                        |
| 5 Harness Adjustment Button | 17 ISOFIX Adjustment Button               |
| 6 Adjustment Webbing        | 18 Releasing Button                       |
| 7 Safety Buckle             | 19 Load Leg                               |
| 8 Side Guides               | 20 Load Leg Adjustment Button             |
| 9 Stroller Release Button A | 21 Instruction Manual Storage Compartment |
| 10 Canopy Mount             | 22 ISOFIX Connector                       |
| 11 Canopy                   | 23 ISOFIX Guides                          |
| 12 Handle                   |   |



# Product Use

## Installation Concerns

This infant carrier module is suitable for vehicle seats with i-Size ISOFIX anchor points with the Base. **(1)**

**DO NOT** use the rearward facing enhanced child restraint systems in seating positions where there is an active frontal airbag installed. Death or serious injury may occur. **(2)** Please reference vehicle owner's manual for more information.

**DO NOT** install this enhanced child restraint on vehicle seats that face sideways or rearward with respect to the moving direction of the vehicle. **(3)**

It is recommended to install this enhanced child restraint on the rear vehicle seat. **(4)**

**DO NOT** install this enhanced child restraint on vehicle seats movable during installation.

## Handle Adjustment

- 1 - The handle of the infant carrier module can be adjusted to 3 positions. **(5)**
- 2 - To adjust the handle, squeeze handle buttons on both sides to release it. **(6)**
- 3 - Rotate handle until it clicks into any of the 3 positions.

## Installation with Base

- 1 - Unfold the load leg from storage compartment. **(7)**
- 2 - Fit the ISOFIX guides with the ISOFIX anchor points. **(8)** The ISOFIX guides can protect the surface of the vehicle seat from being torn. They can also guide the ISOFIX connectors.
- 3 - Press the ISOFIX Adjust Button to adjust the ISOFIX connectors. **(9)**
- 4 - Line up the ISOFIX connectors with the ISOFIX guides, and then click both ISOFIX connectors into the ISOFIX anchor points. **(10)**
  - ! Make sure that both ISOFIX connectors are securely attached to their ISOFIX anchor points. There should be two audible clicks and the colors of the indicators on the both ISOFIX connectors should be completely green. **(10)-1**
  - ! Check to make sure the base is securely installed by pulling on the both ISOFIX connectors.

- 5 - After placing the base on the vehicle seat, extend the load leg to floor **(11)**. When the load leg indicator shows green means it is installed correctly, red means it is installed incorrectly. **(11) -2**
  - ! The load leg has most positions. When the load leg indicator shows red this means the load leg is in the wrong position.
  - ! Make sure the load leg is in full contact with the vehicle floor pan.
  - ! Squeeze the load leg adjustment button, then shorten the load leg upwards. **(11)-1**  
The completely assembled base is shown as **(12)**.
  - ! The ISOFIX connectors must be attached and locked onto the ISOFIX anchor points. **(12)-1**
  - ! The load leg must be installed correctly with green indicator. **(12)-2**
- 6 - Push the infant carrier down into the base **(13)**, if the infant carrier is secure, the shell indicator shows green. **(14)**
  - ! Pull up on the infant carrier to be sure it is securely latched into the base.
- 7 - Press the ISOFIX adjustment button, and push the base back against the vehicle seat until tight. **(15)**
- 8 - To remove the infant carrier, lift the infant carrier off **(16)-2** while pressing the infant carrier releasing button. **(16)-1**
  - ! Pull up on the infant carrier module to be sure it is securely latched into the base.
- 9 - To remove the base, press the secondary lock button **(17)-1** first and then the button **(17)-2** on the ISOFIX connectors before removing the base from the vehicle seat. **(17)**
- 10 - For transporting, press ISOFIX Adjustment button and move back ISOFIX connector so it is folded completely. **(18)**

## Height Adjustment

### for Head Support and Shoulder Harnesses

Check that Shoulder Harness Straps are set at the proper height. Please choose the proper pair of shoulder harness slots according to the child's height.

- ! Shoulder Harness Straps must be nearest to your child's shoulders **(19)**, but not above the shoulder line. **(20)**

! If the Shoulder Harness Straps are not at proper height, the child might be ejected from the enhanced child restraint if there is a crash.

Pull the head support adjustment lever (21), meanwhile pull up or push down the head support until it snaps into one of the 7 positions. The head support positions are shown as (22).

## Securing Child

Use Infant Insert



After the child is placed into the seat, check whether the shoulder harness straps are at proper height.

- 1 - Press the rotating button to rotate for easier side loading/unloading of the child. (23)
- 2 - While pressing the harness adjustment button, pull completely the two shoulder harness straps of the enhanced child restraint. (24)
- 3 - Unlock the buckle of the harnesses by pressing the red button. (25)
- 4 - Place the child into the infant carrier module and lock the buckle. (27) Please refer to (26).
- 5 - Tighten the shoulder harness straps by pulling the adjustment webbing. (28)
  - ! Make sure the space between the child and the shoulder harness straps is about the thickness of one hand.
- 6 - Rotating seat to be rearward facing, the enhanced child restraint indicator shows green. (29)

## Canopy

- 1 - Unzip the zipper of the front canopy bow. (30)
- 2 - Pull the dream drape™ out of the canopy. (31)
- 3 - Attach the magnets on each corner to the front of the infant carrier module with magnets. (32)
- 4 - The canopy window can be opened for ventilation. (33)

## Detach & Assemble Soft Goods

see images (34)-(45)

To re-assemble the soft goods, reverse the aforementioned steps.

## Installation without Base

- 1 - **DO NOT** install this infant carrier module on vehicle seats with Lap Belts. This infant carrier module is suitable for vehicle seats with a 3-point Retractor Safety Belt (without base) only. (46)
- 2 - Place the infant carrier module onto the vehicle seat where you wish to put it. Pull the vehicle safety belt out and lock it into the vehicle buckle, sliding the vehicle lap belt into the side guides of the infant carrier module. (47)
  - ! The infant carrier module can not be used if the vehicle safety belt buckle (female buckle end) is too long to anchor the infant carrier module securely. (47)-1
- 3 - Slide diagonal belt into the rear guide. (48)
- 4 - Pull the vehicle shoulder belt to fasten the infant carrier module tightly and securely. (49)
- 5 - Level line on infant carrier module must be level to the ground when the infant carrier module is installed. (50)
  - ! Tension the vehicle safety belt as much as possible, checking that it is not loose or twisted.
  - ! After installing the infant carrier module, always check that the vehicle belts are routed correctly and securely fastened into the vehicle buckle. (51)

## Aeroplane Installation

- ! Note that safety of the child for not complying with the installation and instruction manual is not guaranteed.
- ! Note that the installation of the infant carrier module on an aircraft seat differs from the installation on a car seat.
- ! Note that 2-Point "Lap Belt" attachment is only permitted in aircraft
- ! Note that the infant carrier module must remain belted on the aircraft seat even when unoccupied.
- ! Note that the infant carrier module is only for use on a passenger seat authorized by the airline.
- ! Warnings not to use the infant carrier module in the area of airbag deployment. **(2)**
- ! Note that Rearward facing infant carrier module should only be installed on forward facing passenger seats. **(52)**

How to install the infant carrier module using the aircraft seat's safety belt:

- 1 - Place the infant carrier module opposite to the flight direction onto the passenger seat.
  - 2 - Ensure that the carry handle is in the topmost position.
  - 3 - Place the safety belt into both belt guides.
  - 4 - Close the safety belt (refer to the safety instructions by the airline).
  - 5 - Tighten the safety belt by pulling the belt end. **(53)**
- ! The buckle of the safety belt must under no circumstances lie within the dark green belt guides. **(54)**

### Removal:

Open the safety belt of the passenger seat (refer to the safety instructions by the airline).

Now you can take the infant carrier module from the passenger seat.

## Cleaning and Maintenance

Clean the frame, plastic parts, and fabric with a damp cloth, but do not use abrasives or bleach. Do not use silicon lubricants as they will attract dirt and grime.

To ensure long-lasting use, wipe this product off with a soft, absorbent cloth after using it in rainy weather.

Refer to the care labels attached to the soft goods for washing and drying instructions.

It is normal for fabric to color from sunlight and to show wear and tear after a long period of use, even when used normally.

For reasons of safety, only use original Nuna parts.

Check regularly if everything functions properly. If any parts are torn, broken, or missing, stop using this product.

## Vehicle Fitting Information

This enhanced child restraint is suitable to fix into seat positions in most cars. The numbers on the diagram below correspond with the vehicle fitting positions listed in the following pages.

Seat positions in other cars may also be suitable to accept the base. If in doubt, consult either the enhanced child restraint manufacturer or the distributor.

ALWAYS give priority to the rear seats of your vehicle.

Don't use it on front seat with active airbag when installed in rear facing mode.

- Your child restraint can be fitted
- x Your child restraint can not be fitted

If your vehicle is not listed in this manual or it is not marked with either a • or x then please refer to your vehicle's handbook or contact the manufacturer for further information.



### RF (ISOFIX) Alfa Romeo

① ② ③ ④ ⑤ ⑥ ⑦

Giulia (2017>)	X	•	X	•	-	-	-	-
Giulietta (2010>)	X	•	X	•	-	-	-	-
MiTo (2009>)	X	•	-	•	-	-	-	-
4C Coupe (2014>)	X	-	-	-	-	-	-	-
Stelvio (2017>)	X	•	X	•	-	-	-	-

### Aston Martin

DB11 (2018>)	X	X	-	X	-	-	-	-
DBS (2019>)	X	X	-	X	-	-	-	-
Vantage (2019>)	X	-	-	-	-	-	-	-

### Audi

A1 (2011>)	X	•	X	•	-	-	-	-
A1 Sportback (2012>)	X	•	X	•	-	-	-	-
A3 Hatch (2012>)	X	•	X	•	-	-	-	-
A3 (1996 - 2003)	X	•	X	•	-	-	-	-
A3 (2004 - 2011)	X	•	X	•	-	-	-	-
A3/S3 (2012>)	X	•	X	•	-	-	-	-
A3 e-Tron Sportback (2015>)	X	•	X	•	-	-	-	-
A3/S3 Saloon (2014>)	X	•	X	•	-	-	-	-
A4 (2005 - 2009)	X	•	X	•	-	-	-	-
A4/S4 (2015>)	X	•	X	•	-	-	-	-
A4 Avant (2016>)	X	•	X	•	-	-	-	-
A4 Allroad (2008 - 2016)	X	•	X	•	-	-	-	-
A4/S4 Avant (2008 - 2016)	X	•	X	•	-	-	-	-
A4/S4 Saloon (2008 - 2016)	X	•	X	•	-	-	-	-
A5/S5 Coupe (2016>)	X	•	-	-	-	-	-	-
A5/S5 Coupe (2009 - 2016)	X	•	-	-	-	-	-	-
A5/S5 Sportback (2009 - 2016)	X	•	X	•	-	-	-	-
A5/S5 Sportback (2017>)	X	•	X	•	-	-	-	-
A5/S5 Convertible (2017>)	X	•	-	-	-	-	-	-
A6 Allroad (2011 - 2016)	X	•	X	•	-	-	-	-
A6/S6 Avant (2011 - 2016)	X	•	X	•	-	-	-	-
A6/S6 (2011 - 2016)	X	•	X	•	-	-	-	-
A6/S6 (2016>)	X	•	X	•	-	-	-	-
A6 Allroad (2016>)	X	•	X	•	-	-	-	-
A7/S7 Sportback (2011 - 2015)	X	•	X	•	-	-	-	-
A7/S7 Sportback (2016 - 2018)	X	•	X	•	-	-	-	-

	①	②	③	④	⑤	⑥	⑦
A7/S7 Sportback (2018>)	X	•	X	•	-	-	-
A8/S8 (2011 - 2017)	X	•	X	•	-	-	-
A8/S8 (2018>)	X	•	X	•	-	-	-
Q2/SQ2 (2016>)	X	•	X	•	-	-	-
Q3/SQ3 (2013 - 2018)	X	•	X	•	-	-	-
Q3/SQ3 (2019>)	X	•	X	•	-	-	-
Q5/SQ5 (2008 - 2012)	X	•	X	•	-	-	-
Q5/SQ5 (2012 - 2016)	X	•	X	•	-	-	-
Q5/SQ5 (2017>)	X	•	X	•	-	-	-
Q7 (2006 - 2015)	X	•	X	•	-	-	-
Q7/SQ7 (2015>)	X	•	X	•	X	-	X
Q8/SQ8 (2018>)	X	•	X	•	-	-	-
TT/TTS Coupe (2006 - 2016)	X	X	-	X	-	-	-

### Bentley

Continental GT (2003 - 2012)	X	•	-	•	-	-	-
Continental Flying Spur (2005 - 2012)	X	•	X	•	-	-	-
Continental GT Conv. (2006 - 2012)	X	•	-	•	-	-	-
Mulsanne (2010>)	X	•	X	•	-	-	-

### BMW

1-Series 5dr (2004 - 2011)	X	•	X	•	-	-	-
1-Series Convertible (2008 - 2015)	X	•	-	•	-	-	-
1-Series Coupe (2008 - 2015)	X	•	-	•	-	-	-
1 Series (F20) (2011 >)	X	•	X	•	-	-	-
2-Series AC-T (2015>)	X	•	X	•	-	-	-
2-Series Coupe (2014>)	X	•	-	•	-	-	-
3-Series (2005 - 2011)	X	•	-	•	-	-	-
3-Series Coupe (E90) (2007- 2014)	X	•	-	•	-	-	-
3 Series (F30) (2012>)	X	•	X	•	-	-	-
3 Series (E46) (2002 - 2006)	X	•	X	•	-	-	-
4-Series Gran Coupe (2014>)	X	•	X	•	-	-	-
5-Series Saloon (2003 - 2008)	X	•	X	•	-	-	-
5-Series Touring (2003 - 2008)	X	•	X	•	-	-	-
5-Series (2008 - 2010)	X	•	X	•	-	-	-
5-Series Touring (2011 - 2018)	X	•	X	•	-	-	-
5-Series Saloon (2011 - 2018)	X	•	X	•	-	-	-
5-Series (2018>)	X	•	X	•	-	-	-
6-Series Coupe (2Dr) (2011>)	X	•	-	•	-	-	-
6-Series Convertible (2011>)	X	•	-	•	-	-	-

	①	②	③	④	⑤	⑥	⑦
6-Series Gran Coupe (4Dr) (2011>)	X	X	X	X	-	-	-
7-Series (2010>)	X	•	X	•	-	-	-
7-Series (2016>)	X	•	X	•	-	-	-
i3 (2014>)	X	•	-	•	-	-	-
i8 (2014)	X	X	X	X	-	-	-
X1 (2010 - 2015)	X	•	X	•	-	-	-
X1 (2016>)	X	•	X	•	-	-	-
X3 (F25) (2011>)	X	•	X	•	-	-	-
X3 (G) (2018>)	X	•	X	•	-	-	-
X4 (2014 - 2018)	X	•	X	•	-	-	-
X4 (2019>)	X	•	X	•	-	-	-
X5 (2000 - 2006)	X	X	X	X	-	-	-
X5 (2007 - 2014)	X	•	X	•	X	-	X
X5 (2015>)	X	•	X	•	X	-	X
X6 (2009>)	X	•	X	•	-	-	-
X6 (2015>)	X	•	-	•	-	-	-
3-Series Gran Turismo (2013>)	X	•	X	•	-	-	-
5-Series Gran Turismo (2010 - 2018)	X	•	X	•	-	-	-

### Cadillac

BLS (2006 - 2010)	X	•	X	•	-	-	-
-------------------	---	---	---	---	---	---	---

### Chevrolet

Aveo 5dr (2012>)	X	X	X	X	-	-	-
Captiva (2007>)	X	•	X	•	-	-	-
Cruze (2009>)	X	•	X	•	-	-	-
Spark 5Dr (2012>)	X	X	X	X	-	-	-
Volt (2011>)	X	•	-	•	-	-	-
Orlando (2011>)	X	•	X	•	-	-	-
Traxx (2013>)	X	•	X	•	-	-	-

### Chrysler

Grand Voyager (2008>)	X	•	-	•	X	X	X
300C (2012>)	X	•	X	•	-	-	-
Delta (2007>)	X	•	X	•	-	-	-
Ypsilon (2012>)	X	X	X	X	-	-	-

### Citroen

	①	②	③	④	⑤	⑥	⑦
Berlingo II (2008>)	X	X	X	X	-	-	-
Berlingo Multispace (2007>)	X	X	X	X	X	-	X
C1 (2006 - 2015)	X	X	-	X	-	-	-
C1 (2015>)	X	X	-	X	-	-	-
C3 5Dr (2005 - 2009)	X	.	X	.	-	-	-
C3 5Dr (2009 - 2016)	X	.	X	.	-	-	-
C3 Picasso (2009 - 2016)	X	.	X	.	-	-	-
C3 5Dr (2017>)	X	.	X	.	-	-	-
C3 Aircross (2017>)	X	.	X	.	-	-	-
C4 (2010>)	X	.	X	.	-	-	-
C4 Picasso (2007 - 2014)	X	X	X	X	-	-	-
C4 Picasso (2014>)	X	X	X	X	X	-	X
C4 Grand Picasso (2014>)	X	X	X	X	X	-	X
C4 G-Picasso (2007 - 2013)	X	X	X	X	X	-	X
C5 (2006 - 2008)	X	.	X	.	-	-	-
C5 Tourer (2008>)	X	.	X	.	-	-	-
C5 Saloon (2008>)	X	.	X	.	-	-	-
C5 Aircross (2019>)	X	.	X	.	-	-	-
C4-Cactus (2015>)	X	.	X	.	-	-	-
C-Crosser (2007 - 2012)	X	.	X	.	-	-	-
DS3 (2011>)	X	X	X	X	-	-	-
DS3 Convertible (2016>)	X	X	X	X	-	-	-
DS3 Crossback (2019>)	X	.	X	.	-	-	-
DS4 (2011>)	X	.	X	.	-	-	-
DS5 (2013>)	X	.	X	.	-	-	-
DS7 (2018>)	X	.	X	.	-	-	-
Jumpy (2007 - 2012)	X	.	X	.	X	X	X
Nemo (2008>)	X	.	X	.	-	-	-
Xsara 5Dr (2000 - 2006)	X	X	X	X	-	-	-
Xsara Picasso (2000 - 2012)	X	X	X	X	-	-	-

## Dacia

Duster (2012>)	X	.	X	.	-	-	-
Logan MCV (2006 - 2012)	X	.	X	.	-	-	-
Logan MCV (2013>)	X	.	X	.	-	-	-
Sandero (2013>)	X	.	X	.	-	-	-

## Fiat

124 Spider (2016>)	X	-	-	-	-	-	-
500 (2008 >)	X	X	-	X	-	-	-

	①	②	③	④	⑤	⑥	⑦
500 C (2009>)	X	X	-	X	-	-	-
Abarth 500 (2009>)	X	X	-	X	-	-	-
Bravo (2007>)	X	.	X	.	-	-	-
500L (2013>)	X	.	X	.	-	-	-
500X (2015>)	X	.	X	.	-	-	-
Doblo (2010>)	X	.	X	.	-	-	-
Panda (2012>)	X	X	X	X	-	-	-
Grande Punto (2006>)	X	.	X	.	-	-	-
Abarth Grande Punto (2008 - 2011)	X	.	X	.	-	-	-
Qubo (2008>)	X	.	X	.	-	-	-
Tipo (2016>)	X	.	X	.	-	-	-

## Ford

B-Max (2012 >)	X	.	X	.	-	-	-
C-Max (2003 - 2010)	X	X	X	X	-	-	-
C-Max (2010 - 2012)	X	.	X	.	-	-	-
C-Max (2013 >)	X	.	X	.	-	-	-
Edge (2016>)	X	.	X	.	-	-	-
Fiesta (2004 - 2008)	X	X	X	X	-	-	-
Fiesta (2008 - 2017)	X	.	X	.	-	-	-
Fiesta (2017>)	X	.	X	.	-	-	-
Focus Mk1 (1998 - 2005)	X	X	X	X	-	-	-
Focus (2005 - 2009)	X	X	X	X	-	-	-
Focus (2010 - 2015)	X	.	X	.	-	-	-
Focus (2015 - 2019)	X	.	X	.	-	-	-
Focus EV (2015 - 2019)	X	.	X	.	-	-	-
Focus (2019>)	X	.	X	.	-	-	-
Galaxy (2006 - 2015)	X	.	X	.	X	-	X
Galaxy (2016>)	X	.	X	.	X	-	X
Ka (2009 - 2016)	X	.	-	.	-	-	-
Ka+ (2016>)	X	.	X	.	-	-	-
Kuga (2008 - 2012)	X	.	X	.	-	-	-
Kuga (2013>)	X	.	X	.	-	-	-
Mondeo (2002 - 2007)	X	X	X	X	-	-	-
Mondeo Estate (2007- 2014)	X	.	X	.	-	-	-
Mondeo Hatchback (2007- 2014)	X	.	X	.	-	-	-
Mondeo Saloon (2007- 2014)	X	.	X	.	-	-	-
Mondeo (2014>)	X	.	X	.	-	-	-
Mustang Coupe (2016>)	X	X	-	X	-	-	-
Mustang Convertible (2016>)	X	X	-	X	-	-	-
S-Max (2006 -2015)	X	.	X	.	X	-	X



	①	②	③	④	⑤	⑥	⑦
S-Max (2016)	X	•	X	•	X	-	X
EcoSport (2015>)	X	•	X	•	-	-	-

## Honda

Accord Saloon (2008>)	X	•	X	•	-	-	-
Accord Tourer (2008>)	X	•	X	•	-	-	-
Civic (2012 - 2017)	X	•	X	•	-	-	-
Civic (2006 - 2011)	X	•	X	•	-	-	-
Civic Hybrid Saloon (2006 - 2010)	X	•	X	•	-	-	-
Civic Tourer (2014>)	X	•	X	•	-	-	-
Civic (2017>)	X	•	X	•	-	-	-
CR-V (2007 - 2013)	X	•	X	•	-	-	-
CR-V (2012>)	X	•	X	•	-	-	-
Elysion (2012>)	X	•	-	•	X	-	X
FRV (2006 - 2011)	X	•	X	•	-	-	-
HR-V (2015>)	X	•	X	•	-	-	-
Insight (2009>)	X	X	X	X	-	-	-
Jazz (2002 - 2008)	X	•	X	•	-	-	-
Jazz (2008 - 2015)	X	•	X	•	-	-	-
Jazz (2016>)	X	•	X	•	-	-	-
Legend (2006 - 2010)	X	•	X	•	-	-	-
Odyssey (2010>)	X	X	-	X	-	-	-

## Hyundai

Getz (2005 - 2011)	X	X	X	X	-	-	-
i10 (2008 - 2013)	X	X	X	X	-	-	-
i10 (2014>)	X	•	X	•	-	-	-
i20 (2009 - 2014)	X	•	X	•	-	-	-
i20 (2015>)	X	•	X	•	-	-	-
i30 (2012 - 2014)	X	•	X	•	-	-	-
i30 (2015>)	X	•	X	•	-	-	-
i40 (2011>)	X	•	X	•	-	-	-
ix20 (2011>)	X	•	X	•	-	-	-
ix35 (2010>)	X	•	X	•	-	-	-
i800/H1 (2008>)	X	•	X	•	X	X	X
Ioniq (2016>)	X	•	X	•	-	-	-
Genesis (2016>)	X	•	X	•	-	-	-
Kona (2017>)	X	•	X	•	-	-	-
Santa Fe (2007 - 2012)	X	•	X	•	X	-	X
Santa Fe (2012>)	X	•	X	•	X	-	X

	①	②	③	④	⑤	⑥	⑦
Tucson (2010 - 2014)	X	•	X	•	-	-	-
Tucson (2015>)	X	•	X	•	-	-	-
Veloster (2012>)	X	X	-	X	-	-	-

## Infiniti

EX SUV (2009>)	X	•	X	•	-	-	-
FX SUV (2009>)	X	•	X	•	-	-	-
G Coupe (2009>)	X	X	-	X	-	-	-
G Saloon (2009>)	X	•	X	•	-	-	-
M Saloon (2010>)	X	•	X	•	-	-	-

## Jaguar

E-Pace (2018>)	X	•	X	•	-	-	-
F-Pace (2016>)	X	•	X	•	-	-	-
I-Pace (2018>)	X	•	X	•	-	-	-
F-Type Coupe (2014>)	X	-	-	-	-	-	-
X-Type (2001- 2010)	X	X	X	X	-	-	-
X-Type Estate (2004 - 2010)	X	X	X	X	-	-	-
XE (2015>)	X	•	X	•	-	-	-
XF (2008 - 2014)	X	•	X	•	-	-	-
XF (2015>)	X	•	X	•	-	-	-
XF R (2009 - 2014)	X	•	X	•	-	-	-
XF Sportbrake (2013 - 2017)	X	•	X	•	-	-	-
XJ (2010>)	X	•	X	•	-	-	-
XK/R Coupe (2006 - 2016)	X	X	-	X	-	-	-
XK Convertible (2006 - 2016)	X	X	-	X	-	-	-

## Jeep

Grand Cherokee (2011>)	X	•	X	•	-	-	-
Compass (2011>)	X	•	X	•	-	-	-
Cherokee (2014>)	X	•	X	•	-	-	-
Renegade (2015>)	X	•	X	•	-	-	-
Wrangler 5Dr (2007>)	X	•	X	•	-	-	-

## Kia

Carens (2013>)	X	X	X	X	X	-	X
Cee'D Hatch (2012>)	X	•	X	•	-	-	-
Niro (2017>)	X	•	X	•	-	-	-

	①	②	③	④	⑤	⑥	⑦
Optima (2011 - 2015)	X	.	X	.	-	-	-
Optima (2016>)	X	.	X	.	-	-	-
Picanto (2008 - 2011)	X	X	X	X	-	-	-
Picanto (2011>)	X	.	X	.	-	-	-
Rio (2012 - 2016)	X	X	X	X	-	-	-
Rio (2016>)	X	.	X	.	-	-	-
Sorento (2004 - 2009)	X	.	X	.	-	-	-
Sorento (2010 - 2014)	X	.	X	.	-	-	-
Sorento (2015>)	X	.	X	.	X	-	X
Soul (2009>)	X	.	X	.	-	-	-
Soul / EV (2015>)	X	.	X	.	-	-	-
Sportage (2011 - 2015)	X	.	X	.	-	-	-
Sportage (2016>)	X	.	X	.	-	-	-
Stonic (2017>)	X	.	X	.	-	-	-
Venga (2011>)	X	.	X	.	-	-	-

## Land Rover

Discovery Sport (2015>)	X	.	X	.	X	-	X
Discovery 4 (2009 - 2016)	X	.	X	.	X	-	X
Discovery 5 (2017>)	X	.	X	.	X	-	X
Freelander 2 (2006 - 2014)	X	.	X	.	-	-	-
Range Rover (2013>)	X	.	X	.	-	-	-
Range Rover (2002 - 2012)	X	.	X	.	-	-	-
Range Rover Sport (2005 -2012)	X	.	X	.	-	-	-
Range Rover Sport (2013>)	X	.	X	.	-	-	-
Range Rover Evoque 3 door (2011>)	X	.	X	.	-	-	-
Range Rover Evoque 5 door (2011>)	X	.	X	.	-	-	-
Range Rover Velar (2017>)	X	.	X	.	-	-	-

## Lancia

Thema (2012>)	X	.	X	.	-	-	-
Voyager (2010>)	X	.	-	.	X	X	X
Delta (2011>)	X	.	X	.	-	-	-
Ypsilon (2012>)	X	X	X	X	-	-	-

## Lexus

CT (2011>)	X	.	X	.	-	-	-
ES (2019>)	X	.	X	.	-	-	-
GS (2013>)	X	.	X	.	-	-	-

## Maserati

	①	②	③	④	⑤	⑥	⑦
GSh (2013>)	X	.	X	.	-	-	-
IS (1999 - 2004)	X	.	X	.	-	-	-
IS (2005 - 2012)	X	.	X	.	-	-	-
NX (2014>)	X	.	X	.	-	-	-
RX (2010-2016)	X	.	X	.	-	-	-
RX (2016>)	X	.	X	.	-	-	-
UX (2019>)	X	.	X	.	-	-	-
Levante (2017>)	X	.	X	.	-	-	-
Ghibli (2014>)	X	.	X	.	-	-	-
Quattroporte (2016>)	X	.	X	.	-	-	-
Gran Turismo (2007>)	X	X	X	X	-	-	-

## Mazda

CX-3 (2015>)	X	.	X	.	-	-	-
CX-5 (2011>)	X	.	X	.	-	-	-
CX-7 (2007 - 2011)	X	.	X	.	-	-	-
2 (2009 - 2015)	X	.	X	.	-	-	-
2 (2015>)	X	.	X	.	-	-	-
3 Hatch (2009 -2013)	X	.	X	.	-	-	-
3 Saloon (2009 -2013)	X	.	X	.	-	-	-
3 Hatchback (2014>)	X	.	X	.	-	-	-
5 (2005 - 2010)	X	.	X	.	-	-	-
6 Estate (2008 - 2012)	X	.	X	.	-	-	-
6 Hatch (2007 - 2012)	X	.	X	.	-	-	-
6 Saloon (2007 - 2009)	X	.	X	.	-	-	-
6 Estate (2013>)	X	.	X	.	-	-	-
6 Saloon (2012 - 2018)	X	.	X	.	-	-	-
6 Saloon (2018>)	X	.	X	.	-	-	-
MX-5 (2015>)	X	-	-	-	-	-	-

## Mercedes-Benz

A Class (2005 - 2012)	X	.	X	.	-	-	-
A-Class (2013 - 2018)	X	.	X	.	-	-	-
A-Class (2019>)	X	.	X	.	-	-	-
B-Class (2012>)	X	.	X	.	-	-	-
B-Class EV (2015>)	X	.	X	.	-	-	-
C-Class (2008>)	X	.	X	.	-	-	-

	①	②	③	④	⑤	⑥	⑦
C-Class Estate (2008>)	X	•	X	•	-	-	-
C-Class Coupe (2011>)	X	•	-	•	-	-	-
C-Class Estate (2015>)	X	•	X	•	-	-	-
CLA (2013>)	X	•	X	•	-	-	-
CLS Shooting Brake (2012>)	X	•	X	•	-	-	-
CLS Coupe (2011>)	X	•	X	•	-	-	-
E-Class (2005 - 2009)	X	•	X	•	-	-	-
E-Class Saloon (2009 - 2012)	X	•	X	•	-	-	-
E-Class Coupe (2009 - 2016)	X	•	-	•	-	-	-
E-Class Coupe (2017>)	X	•	-	•	-	-	-
E-Class Convertible (2017>)	X	•	-	•	-	-	-
E-Class Estate (2013 - 2018)	X	•	X	•	-	-	-
E-Class Saloon (2013 - 2018)	X	•	X	•	-	-	-
E-Class (2017>)	X	•	X	•	-	-	-
GLA (2014>)	X	•	X	•	-	-	-
GL Class (2006 - 2012)	X	•	X	•	X	-	X
GL/S Class (2012>)	X	•	X	•	X	-	X
GLC (2016>)	X	•	X	•	-	-	-
GLE (2015>)	X	•	X	•	-	-	-
ML-Class (2005 - 2012)	X	•	X	•	-	-	-
ML-Class (2012>)	X	•	X	•	-	-	-
R-Class (2006 - 2012)	X	•	X	•	-	-	-
S-Class (2006 - 2013)	X	•	X	•	-	-	-
S Class (2015>)	X	•	X	•	-	-	-
SL-Class (2012>)	X	-	-	-	-	-	-
SLK (2011>)	X	-	-	-	-	-	-
V-Class (2015>)	X	•	X	•	•	X	•

## MG

GS (2016>)	X	•	X	•	-	-	-
MG3 (2013 - 2015)	X	•	X	•	-	-	-
MG3 (2016>)	X	•	X	•	-	-	-
MG6 (2012 - 2016)	X	•	X	•	-	-	-

## MG Rover

Rover 25 Streetwise (1999 - 2005)	X	X	X	X	-	-	-
Rover Streetwise (1999 - 2005)	X	X	X	X	-	-	-
MG ZR (2001 - 2005)	X	X	X	X	-	-	-
MG ZT (2003 - 2006)	X	X	X	X	-	-	-

## Mini

	①	②	③	④	⑤	⑥	⑦
Hatchback (2000 - 2006)	X	X	-	X	-	-	-
Hatchback (2006 - 2014)	X	•	-	•	-	-	-
Hatchback 3Dr (2014>)	X	•	-	•	-	-	-
Coupe (2009>)	X	-	-	-	-	-	-
Countryman (2010 - 2016)	X	•	X	•	-	-	-
Countryman (2017>)	X	•	X	•	-	-	-
Paceman (2013>)	X	•	-	•	-	-	-
Hatchback 5dr (2015>)	X	•	X	•	-	-	-
Clubman (2016>)	X	•	X	•	-	-	-

## Mitsubishi

ASX (2010>)	X	•	X	•	-	-	-
Colt (2007 - 2013)	X	X	X	X	-	-	-
Lancer (2008 - 2011>)	X	•	X	•	-	-	-
Lancer Sportback (2008 - 2011)	X	•	X	•	-	-	-
Lancer Ralliart (2009 - 2011)	X	•	X	•	-	-	-
Mirage (2014>)	X	•	X	•	-	-	-
Outlander (2007 - 2013)	X	•	X	•	-	-	-
Outlander (2013>)	X	•	X	•	-	-	-
Outlander PHEV (2015>)	X	•	X	•	-	-	-
Shogun (2007>)	X	•	X	•	-	-	-

## Nissan

Juke (2010>)	X	•	X	•	-	-	-
Leaf EV (2011 - 2018)	X	•	X	•	-	-	-
Micra (2011 - 2016)	X	•	X	•	-	-	-
Micra (2017>)	X	•	X	•	-	-	-
Murano (2016>)	X	•	X	•	-	-	-
Note (2006 - 2013)	X	•	X	•	-	-	-
Note (2014>)	X	•	X	•	-	-	-
Qashqai+2 (2008 - 2015)	X	•	X	•	-	-	-
Qashqai (2007 - 2013)	X	•	X	•	-	-	-
Qashqai (2014>)	X	•	X	•	-	-	-
Quest MPV (2012>)	X	•	-	-	X	-	X
Pulsar (2015>)	X	•	X	•	-	-	-
2008 X-Trail (2008 - 2015)	X	•	X	•	-	-	-
X-Trail (2015>)	X	•	X	•	X	-	X

Opel	①	②	③	④	⑤	⑥	⑦
Adam (2013 >)	X	X	-	X	-	-	-
Agila (2008>)	X	•	X	•	-	-	-
Ampera (2011>)	X	•	-	•	-	-	-
Antara (2007 - 2015)	X	•	X	•	-	-	-
Astra (2004 - 2010)	X	•	X	•	-	-	-
Astra (2010 - 2016)	X	•	X	•	-	-	-
Astra Estate (2010 - 2016)	X	•	X	•	-	-	-
Astra GTC (2011>)	X	•	X	•	-	-	-
Astra (2015>)	X	•	X	•	-	-	-
Corsa D (2007 - 2014)	X	•	X	•	-	-	-
Corsa 3 dr hatch (2006 - 2015)	X	•	X	•	-	-	-
Corsa 5 dr (2006 - 2015)	X	•	X	•	-	-	-
Corsa 5dr (2015>)	X	•	X	•	-	-	-
Corsa VXR (2007 - 2014)	X	•	X	•	-	-	-
Crossland X (2018>)	X	•	X	•	-	-	-
Insignia Hatch (2009 - 2017)	X	•	X	•	-	-	-
Insignia Saloon (2009 - 2017)	X	•	X	•	-	-	-
Insignia Sports Tourer (2009 - 2017)	X	•	X	•	-	-	-
Insignia (2018>)	X	•	X	•	-	-	-
Karl (2015>)	X	•	X	•	-	-	-
Meriva (2010>)	X	•	X	•	-	-	-
Mokka (2013>)	X	•	X	•	-	-	-
Vectra (2005 - 2008)	X	•	X	•	-	-	-
Zafira (2005 - 2014)	X	•	X	•	-	-	-
Zafira Tourer (2014>)	X	•	X	•	X	-	X

## Peugeot

107 (2005 - 2014)	X	X	-	X	-	-	-
108 (2015>)	X	•	X	•	-	-	-
206 (2004 - 2009)	X	X	X	X	-	-	-
207 3dr (2006 - 2012)	X	•	X	•	-	-	-
207 5dr (2006 - 2012)	X	•	X	•	-	-	-
207 SW (2007 - 2012)	X	•	X	•	-	-	-
2008 (2013>)	X	•	X	•	-	-	-
208 3DR (2013>)	X	•	X	•	-	-	-
208 5DR (2013>)	X	•	X	•	-	-	-
307 Hatchback (2001 - 2007)	X	•	X	•	-	-	-
307 Estate (2001 - 2007)	X	•	X	•	-	-	-
308 Hatchback (2007- 2014)	X	•	X	•	-	-	-

	①	②	③	④	⑤	⑥	⑦
308 SW (2008 - 2015)	X	•	X	•	-	-	-
308 SW (2015>)	X	•	X	•	-	-	-
308 (2014>)	X	•	X	•	-	-	-
3008 (2009 - 2016)	X	X	X	X	-	-	-
3008 (2017>)	X	•	X	•	-	-	-
407 (2004 - 2011)	X	•	X	•	-	-	-
407 (SW) (2004 - 2011)	X	•	X	•	-	-	-
4007 (2007 - 2012)	X	•	X	•	-	-	-
508 (2011 - 2018)	X	•	X	•	-	-	-
508 SW (2011>)	X	•	X	•	-	-	-
508 RXH (2013>)	X	•	X	•	-	-	-
508 (2019>)	X	•	X	•	-	-	-
5008 (2011 - 2017)	X	X	X	X	X	-	X
5008 (2018>)	X	X	X	X	X	-	X
Bipper (2008>)	X	•	X	•	-	-	-
Expert Tepee (2007 - 2016)	X	•	X	•	X	X	X
Partner Combi (2004 - 2010)	X	X	X	X	-	-	-
Partner Tepee (2008>)	X	X	X	X	-	-	-
RCZ (2011>)	X	X	-	X	-	-	-
Traveller (2016>)	X	•	X	•	•	•	•

## Porsche

Cayenne (2011 - 2016)	X	•	X	•	-	-	-
Cayenne E-Hybrid (2015 - 2017)	X	•	X	•	-	-	-
Cayenne (2017>)	X	•	X	•	-	-	-
Macan (2015>)	X	•	X	•	-	-	-
Panamera (2011>)	X	•	-	•	-	-	-
Panamera E-Hybrid (2015>)	X	•	-	•	-	-	-

## Renault

Captur (2015>)	X	•	X	•	-	-	-
Clio (2005 - 2012)	X	X	X	X	-	-	-
Clio Sport (2006 - 2012)	X	•	X	•	-	-	-
Clio Sport Tourer (2007 - 2012)	X	•	X	•	-	-	-
Clio (2013>)	X	•	X	•	-	-	-
Espace (2003 - 2012)	X	•	X	•	X	-	X
Grand Espace (2003 - 2012)	X	•	X	•	X	-	X
Kadjar (2015>)	X	•	X	•	-	-	-

	①	②	③	④	⑤	⑥	⑦
Laguna (2008 - 2012)	X	.	X	.	-	-	-
Laguna Sport Tourer (2008 - 2012)	X	.	X	.	-	-	-
Megane (2007)	X	.	X	.	-	-	-
Megane Hatch (2002 - 2009)	X	.	X	.	-	-	-
Megane Hatch (2008 - 2016)	X	.	X	.	-	-	-
Megane Sport Tourer (2009 - 2016)	X	.	X	.	-	-	-
Megane Hatch (2016>)	X	.	X	.	-	-	-
Modus (2004 - 2012)	X	.	X	.	-	-	-
Grand Modus (2008 - 2012)	X	.	X	.	-	-	-
Scenic (2003 - 2009)	X	X	X	X	-	-	-
Scenic (2009-2016)	X	X	X	X	-	-	-
Scenic (2017>)	X	X	X	X	-	-	-
Twingo (2007 - 2014)	X	X	-	X	-	-	-
Twingo (2015>)	X	.	-	.	-	-	-
<b>Saab</b>							
93 (2002 - 2012)	X	.	X	.	-	-	-
93 Sport Wagon (2005 - 2012)	X	.	X	.	-	-	-
93 X (2009 - 2012)	X	.	X	.	-	-	-
95 Estate (2005 - 2010)	X	.	X	.	-	-	-
95 (2011-2012)	X	.	X	.	-	-	-
<b>Seat</b>							
Alhambra (2010>)	X	X	.	X	X	-	X
Altea (2004- 2011)	X	.	X	.	-	-	-
Altea XL (2007- 2011)	X	.	X	.	-	-	-
Altea Freetrack4 (2007- 2009)	X	.	X	.	-	-	-
Arosa (1997 - 2004)	X	X	X	X	-	-	-
Ateca (2017>)	X	.	X	.	-	-	-
Exeo (2008 - 2014)	X	.	X	.	-	-	-
Exeo ST Estate (2008 - 2014)	X	.	X	.	-	-	-
Ibiza Cupra (2009 - 2017)	X	X	X	X	-	-	-
Ibiza FR (2009 - 2017)	X	X	X	X	-	-	-
Ibiza Hatch (2008 - 2017)	X	.	X	.	-	-	-
Ibiza (2018 >)	X	.	X	.	-	-	-
Leon 5dr (2001 - 2005)	X	.	X	.	-	-	-
Leon 5dr (2005 - 2012)	X	.	X	.	-	-	-
Leon (2013>)	X	.	X	.	-	-	-
mii (2011>)	X	X	X	X	-	-	-
Toledo (2013>)	X	.	X	.	-	-	-

	①	②	③	④	⑤	⑥	⑦
<b>Skoda</b>							
Citigo (2012>)	X	X	X	X	-	-	-
Fabia (2015>)	X	.	X	.	-	-	-
Fabia Estate Combi (2008>)	X	.	X	.	-	-	-
Fabia Hatch (2007>)	X	X	X	X	-	-	-
Karoq (2017>)	X	.	X	.	-	-	-
Kodiq (2017>)	X	.	X	.	X	-	X
Octavia Estate Combi (2005 - 2013)	X	.	X	.	-	-	-
Octavia (2004 - 2012)	X	.	X	.	-	-	-
Octavia Scout (2007 - 2013)	X	.	X	.	-	-	-
Octavia Hatch (2013>)	X	.	X	.	-	-	-
Rapid (2013>)	X	.	X	.	-	-	-
Roomster (2006>)	X	.	X	.	-	-	-
Superb Combi/Estate (2008>)	X	.	X	.	-	-	-
Superb (2008 - 2014)	X	.	X	.	-	-	-
Superb (2015>)	X	.	X	.	-	-	-
Yeti (2009>)	X	.	X	.	-	-	-
<b>Smart</b>							
For Two Coupe (2007 - 2011)	X	-	-	-	-	-	-
FourFour (2015>)	X	X	-	X	-	-	-
<b>Ssangyong</b>							
Actyon (2006 - 2011)	X	.	X	.	-	-	-
Korando (2011- 2017)	X	.	X	.	-	-	-
Musso Pickup (2016)	X	.	X	.	-	-	-
Rexton (2014>)	X	.	X	.	-	-	-
Tivoli (2016>)	X	.	X	.	-	-	-
Turismo (2014>)	X	.	X	.	X	X	X
<b>Subaru</b>							
BRZ (2012>)	X	X	-	X	-	-	-
Forester (2013>)	X	.	X	.	-	-	-
Impreza (2007 - 2012)	X	.	X	.	-	-	-
Impreza (2013>)	X	.	X	.	-	-	-
Legacy (2012>)	X	.	X	.	-	-	-
Levorg (2014>)	X	.	X	.	-	-	-

	①	②	③	④	⑤	⑥	⑦
Outback (2012>)	X	•	X	•	-	-	-
XV Hatchback (2011>)	X	•	X	•	-	-	-
<b>Suzuki</b>							
Alto (2009>)	X	X	-	X	-	-	-
Baleno (2016>)	X	•	X	•	-	-	-
Celerio (2016>)	X	•	X	•	-	-	-
Grand Vitara (2006>)	X	•	X	•	-	-	-
Vitara (2015>)	X	•	X	•	-	-	-
Ignis (2016>)	X	•	X	•	-	-	-
Swift Sport (2011 - 2016)	X	•	X	•	-	-	-
Swift (2017>)	X	•	X	•	-	-	-
Splash (2008>)	X	X	X	X	-	-	-
SX-4 (2006>)	X	•	X	•	-	-	-
SX-4 (2009>)	X	•	X	•	-	-	-
<b>Tesla</b>							
Model S (2014>)	X	•	X	•	-	-	-
Model X (2016>)	X	•	X	•	X	-	X
<b>Toyota</b>							
Auris (2007 - 2012)	X	•	X	•	-	-	-
Auris (2013>)	X	•	X	•	-	-	-
Avensis Hatch (2003 - 2011)	X	•	X	•	-	-	-
Avensis Tourer (2009>)	X	•	X	•	-	-	-
Aygo (2005 - 2014)	X	X	-	X	-	-	-
Aygo (2014 - 2019)	X	X	-	X	-	-	-
Aygo (2019>)	X	•	-	•	-	-	-
C-HR (2017>)	X	•	X	•	-	-	-
Corolla (2019>)	X	•	X	•	-	-	-
EZ Mpv (2013>)	X	•	X	•	-	-	-
GT86 (2012>)	X	X	-	X	-	-	-
Highlander (2013>)	X	•	X	•	-	-	-
Land Cruiser (2003 - 2009)	X	•	X	•	-	-	-
Landcruiser (2009>)	X	X	X	X	-	-	-
Prius 2 (2004 - 2010)	X	•	X	•	-	-	-
Prius 3 (2010 - 2016)	X	•	X	•	-	-	-
Prius PHEV 3 (2015>)	X	•	X	•	-	-	-
Prius Plus+ (2012>)	X	•	X	•	-	-	-

	①	②	③	④	⑤	⑥	⑦
Prius 4 (2016>)	X	•	X	•	-	-	-
RAV 4 (Mk3) (2006 - 2012)	X	•	X	•	-	-	-
RAV4 (2013 - 2018)	X	•	X	•	-	-	-
RAV4 Hybrid (2015 - 2018)	X	•	X	•	-	-	-
RAV4 (2019>)	X	•	X	•	-	-	-
Verso (2009 - 2012)	X	X	X	X	-	-	-
Verso (2013>)	X	X	X	X	-	-	-
Yaris (2008 - 2011)	X	X	X	X	-	-	-
Yaris (2011 - 2017)	X	X	X	X	-	-	-
Yaris (2017>)	X	•	X	•	-	-	-
<b>Vauxhall</b>							
Adam (2013>)	X	X	-	X	-	-	-
Agila (2008>)	X	•	X	•	-	-	-
Ampera (2011>)	X	•	-	•	-	-	-
Antara (2007 - 2015)	X	•	X	•	-	-	-
Astra (1998 - 2004)	X	X	X	X	-	-	-
Astra (2004 - 2010)	X	•	X	•	-	-	-
Astra 5 dr (2010>)	X	•	X	•	-	-	-
Astra Estate (2010>)	X	•	X	•	-	-	-
Astra GTC (2011>)	X	•	X	•	-	-	-
Astra (2015>)	X	•	X	•	-	-	-
Corsa D (2007>)	X	•	X	•	-	-	-
Corsa 3 dr hatch (2006 - 2015)	X	•	X	•	-	-	-
Corsa 5 dr (2006 - 2015)	X	•	X	•	-	-	-
Corsa 5dr (2015>)	X	•	X	•	-	-	-
Corsa VXR (2007>)	X	•	X	•	-	-	-
Crossland X (2018>)	X	•	X	•	-	-	-
Insignia Hatch (2009 - 2017)	X	•	X	•	-	-	-
Insignia Saloon (2009 - 2017)	X	•	X	•	-	-	-
Insignia Sports Tourer (2009 - 2017)	X	•	X	•	-	-	-
Insignia (2018>)	X	•	X	•	-	-	-
Meriva (2010>)	X	•	X	•	-	-	-
Mokka (2013>)	X	•	X	•	-	-	-
Vectra (2005 - 2008)	X	•	X	•	-	-	-
Viva (2015>)	X	X	X	X	-	-	-
Zafira (2005 - 2014)	X	•	X	•	-	-	-
Zafira Tourer (2012>)	X	•	X	•	X	-	X

VW

	①	②	③	④	⑤	⑥	⑦
Beetle (2012>)	X	.	.	.	.	.	.
Caddy (2010>)	X	X	X	X	X	.	X
Caddy Maxilife (2010 - 2015)	X	X	X	X	X	.	X
Multivan Caravelle (2008>)	X	.	X	.	.	.	X
Golf Convertible (2009 - 2012)	X	.	.	.	.	.	.
Golf Hatch Mk5 (2004 - 2008)	X	.	X	.	.	.	.
Golf Hatch Mk6 (2009 - 2012)	X	.	X	.	.	.	.
Golf Hatch Mk7 (2012>)	X	.	X	.	.	.	.
Golf GTE Hatch Mk7 (2014>)	X	.	X	.	.	.	.
E-Golf Hatch Mk7 (2014>)	X	.	X	.	.	.	.
Golf Plus (2009 - 2011)	X	.	X	.	.	.	.
Jetta (2011>)	X	.	X	.	.	.	.
Lupo (1999 - 2005)	X	X	.	X	.	.	.
Passat (2005 - 2010)	X	.	X	.	.	.	.
Passat (2010 - 2015)	X	.	X	.	.	.	.
Passat Saloon (2015>)	X	.	X	.	.	.	.
Passat Alltrack (2012>)	X	.	X	.	.	.	.
Passat CC (2008>)	X	.	X	.	.	.	.
Passat Estate (2005 - 2011)	X	.	X	.	.	.	.
Passat Estate (2011 - 2015)	X	.	X	.	.	.	.
Passat Estate (2015>)	X	.	X	.	.	.	.
Polo (2006 - 2009)	X	.	X	.	.	.	.
Polo (2009 - 2017)	X	.	X	.	.	.	.
Polo (2017>)	X	.	X	.	.	.	.
Scirocco (2011>)	X	.	.	.	.	.	.
Sharan (2010>)	X	X	.	X	X	.	X
T-Roc (2017>)	X	.	X	.	.	.	.
T-Cross (2019>)	X	.	X	.	.	.	.
Tiguan (2008 - 2016)	X	.	X	.	.	.	.
Tiguan (2016>)	X	.	X	.	.	.	.
Tiguan Allspace (2017>)	X	.	X	.	X	.	X
Touareg (2003 - 2010)	X	.	X	.	.	.	.
Touareg (2010 - 2017)	X	.	X	.	.	.	.
Touareg (2018>)	X	.	X	.	.	.	.
Touran (2010 - 2015)	X	X	X	X	X	.	X
Touran (2016>)	X	.	X	.	X	.	X
UP! (2012>)	X	.	X	.	.	.	.
E-UP! (2014>)	X	.	X	.	.	.	.

Volvo

C30 (2007 - 2013)	X	.	.	.	.	.	.
-------------------	---	---	---	---	---	---	---

	①	②	③	④	⑤	⑥	⑦
S40 (2004 - 2012)	X	.	X	.	.	.	.
S60 (2010>)	X	.	X	.	.	.	.
S80 (2007 - 2015)	X	.	X	.	.	.	.
S90 (2016>)	X	.	X	.	.	.	.
V40 (2013>)	X	.	X	.	.	.	.
V40 Cross County (2013>)	X	.	X	.	.	.	.
V50 (2004 - 2012)	X	.	X	.	.	.	.
V60 (2011 - 2018)	X	.	X	.	.	.	.
V60 Plug-In (2015 - 2018)	X	.	X	.	.	.	.
V60 (2019>)	X	.	X	.	.	.	.
V70 (2008 - 2015)	X	.	X	.	.	.	.
V90 (2016>)	X	.	X	.	.	.	.
XC40 (2018>)	X	.	X	.	.	.	.
XC60 (2013 - 2017)	X	.	X	.	.	.	.
XC60 (2017>)	X	.	X	.	.	.	.
XC70 (2008>)	X	.	X	.	.	.	.
XC90 (2003 - 2014)	X	.	X	.	X	.	X
XC90 (2016>)	X	.	X	.	X	.	X

RF (Belt)  
Alfa Romeo

① ② ③ ④ ⑤ ⑥ ⑦

Giulia (2017>)	X	•	X	•	-	-	-
Guilietta (2010>)	X	X	X	X	-	-	-
MiTo (2009>)	X	X	-	X	-	-	-
4C Coupe (2014>)	X	-	-	-	-	-	-
Stelvio (2017>)	X	•	X	•	-	-	-

Aston Martin

DB11 (2018>)	X	X	-	X	-	-	-
DBS (2019>)	X	X	-	X	-	-	-
Vantage (2019>)	X	-	-	-	-	-	-

Audi

A1 (2011>)	X	•	X	•	-	-	-
A1 Sportback (2012>)	X	•	X	•	-	-	-
A3 Hatch (2012>)	X	•	X	•	-	-	-
A3 (1996 - 2003)	X	•	X	•	-	-	-
A3 (2004 - 2011)	X	•	X	•	-	-	-
A3/S3 (2012>)	X	•	X	•	-	-	-
A3 e-Tron Sportback (2015>)	X	•	X	•	-	-	-
A3/S3 Saloon (2014>)	X	•	X	•	-	-	-
A4 (2005 - 2009)	X	•	X	•	-	-	-
A4/S4 (2015>)	X	X	X	X	-	-	-
A4 Avant (2016>)	X	•	X	•	-	-	-
A4 Allroad (2008 - 2016)	X	•	X	•	-	-	-
A4/S4 Avant (2008 - 2016)	X	•	X	•	-	-	-
A4/S4 Saloon (2008 - 2016)	X	•	X	•	-	-	-
A5/S5 Coupe (2016>)	X	•	-	-	-	-	-
A5/S5 Coupe (2009 - 2016)	X	•	-	-	-	-	-
A5/S5 Sportback (2009 - 2016)	X	•	X	•	-	-	-
A5/S5 Sportback (2017>)	X	•	X	•	-	-	-
A5/S5 Convertible (2017>)	X	X	-	X	-	-	-
A6 Allroad (2011 - 2016)	X	X	X	X	-	-	-
A6/S6 Avant (2011 - 2016)	X	X	X	X	-	-	-
A6/S6 (2011 - 2016)	X	X	X	X	-	-	-
A6/S6 (2016>)	X	X	X	X	-	-	-
A6 Allroad (2016>)	X	X	X	X	-	-	-
A7/S7 Sportback (2011 - 2015)	X	•	X	•	-	-	-
A7/S7 Sportback (2016 - 2018)	X	•	X	•	-	-	-

A7/S7 Sportback (2018>)	X	•	X	•	-	-	-
A8/S8 (2011 - 2017)	X	•	X	•	-	-	-
A8/S8 (2018>)	X	•	X	•	X	-	-
Q2/SQ2 (2016>)	X	•	X	•	-	-	-
Q3/SQ3 (2013 - 2018)	X	•	X	•	-	-	-
Q3/SQ3 (2019>)	X	•	X	•	-	-	-
Q5/SQ5 (2008 - 2012)	X	•	X	•	-	-	-
Q5/SQ5 (2012 - 2016)	X	•	X	•	-	-	-
Q5/SQ5 (2017>)	X	•	X	•	-	-	-
Q7 (2006 - 2015)	X	•	X	•	-	-	-
Q7/SQ7 (2015>)	X	•	X	•	X	-	X
Q8/SQ8 (2018>)	X	X	X	X	-	-	-
TT/TTS Coupe (2006 - 2016)	X	X	-	X	-	-	-

① ② ③ ④ ⑤ ⑥ ⑦

Bentley

Continental GT (2003 - 2012)	X	X	-	X	-	-	-
Continental Flying Spur (2005 - 2012)	X	•	X	•	-	-	-
Continental GT Conv. (2006 - 2012)	X	X	-	X	-	-	-
Mulsanne (2010>)	X	•	X	•	-	-	-

BMW

1-Series 5dr (2004 - 2011)	X	X	X	X	-	-	-
1-Series Convertible (2008 - 2015)	X	•	-	-	-	-	-
1-Series Coupe (2008 - 2015)	X	•	-	-	-	-	-
1 Series (F20) (2011 >)	X	X	X	X	-	-	-
2-Series AC-T (2015>)	X	•	X	•	-	-	-
2-Series Coupe (2014>)	X	•	-	-	-	-	-
3-Series (2005 - 2011)	X	X	-	X	-	-	-
3-Series Coupe (E90) (2007- 2014)	X	•	-	-	-	-	-
3 Series (F30) (2012>)	X	•	X	•	-	-	-
3 Series (E46) (2002 - 2006)	X	•	X	•	-	-	-
4-Series Gran Coupe (2014>)	X	•	X	•	-	-	-
5-Series Saloon (2003 - 2008)	X	X	X	X	-	-	-
5-Series Touring (2003 - 2008)	X	X	X	X	-	-	-
5-Series (2008 - 2010)	X	•	X	•	-	-	-
5-Series Touring (2011 - 2018)	X	•	X	•	-	-	-
5-Series Saloon (2011 - 2018)	X	•	X	•	-	-	-
5-Series (2018>)	X	•	X	•	-	-	-
6-Series Coupe (2Dr) (2011>)	X	X	-	X	-	-	-
6-Series Convertible (2011>)	X	X	-	X	-	-	-



	①	②	③	④	⑤	⑥	⑦
6-Series Gran Coupe (4Dr) (2011>)	X	X	X	X	-	-	-
7-Series (2010>)	X	.	X	.	-	-	-
7-Series (2016>)	X	.	X	.	-	-	-
i3 (2014>)	X	.	.	.	-	-	-
i8 (2014)	X	X	X	X	-	-	-
X1 (2010 - 2015)	X	.	X	.	-	-	-
X1 (2016>)	X	.	X	.	-	-	-
X3 (F25) (2011>)	X	.	X	.	-	-	-
X3 (G) (2018>)	X	.	X	.	-	-	-
X4 (2014 - 2018)	X	.	X	.	-	-	-
X4 (2019>)	X	.	X	.	-	-	-
X5 (2000 - 2006)	X	X	X	X	-	-	-
X5 (2007 - 2014)	X	.	X	.	X	-	X
X5 (2015>)	X	.	X	.	X	-	X
X6 (2009>)	X	.	X	.	-	-	-
X6 (2015>)	X	.	.	.	-	-	-
3-Series Gran Turismo (2013>)	X	.	X	.	-	-	-
5-Series Gran Turismo (2010 - 2018)	X	.	X	.	-	-	-
<b>Cadillac</b>							
BLS (2006 - 2010)	X	X	X	X	-	-	-
<b>Chevrolet</b>							
Aveo 5dr (2012>)	X	.	X	.	-	-	-
Captiva (2007>)	X	.	X	.	-	-	-
Cruze (2009>)	X	.	X	.	-	-	-
Spark 5Dr (2012>)	X	X	X	X	-	-	-
Volt (2011>)	X	.	.	.	-	-	-
Orlando (2011>)	X	.	X	.	-	-	-
Traxx (2013>)	X	.	X	.	-	-	-
<b>Chrysler</b>							
Grand Voyager (2008>)	X	.	.	.	X	X	X
300C (2012>)	X	X	X	X	-	-	-
Delta (2007>)	X	X	X	X	-	-	-
Ypsilon (2012>)	X	.	X	.	-	-	-
<b>Citroen</b>							

	①	②	③	④	⑤	⑥	⑦
Berlingo II (2008>)	X	.	X	.	-	-	-
Berlingo Multispace (2007>)	X	.	X	.	X	-	X
C1 (2006 - 2015)	X	.	.	.	-	-	-
C1 (2015>)	X	.	.	.	-	-	-
C3 5Dr (2005 - 2009)	X	X	X	X	-	-	-
C3 5Dr (2009 - 2016)	X	.	X	.	-	-	-
C3 Picasso (2009 - 2016)	X	.	X	.	-	-	-
C3 5Dr (2017>)	X	.	X	.	-	-	-
C3 Aircross (2017>)	X	.	X	.	-	-	-
C4 (2010>)	X	.	X	.	-	-	-
C4 Picasso (2007 - 2014)	X	.	X	.	-	-	-
C4 Picasso (2014>)	X	.	X	.	X	-	X
C4 Grand Picasso (2014>)	X	.	X	.	X	-	X
C4 G-Picasso (2007 - 2013)	X	.	X	.	X	-	X
C5 (2006 - 2008)	X	X	X	X	-	-	-
C5 Tourer (2008>)	X	X	X	X	-	-	-
C5 Saloon (2008>)	X	X	X	X	-	-	-
C5 Aircross (2019>)	X	.	X	.	-	-	-
C4-Cactus (2015>)	X	.	X	.	-	-	-
C-Crosser (2007 - 2012)	X	X	X	X	-	-	-
DS3 (2011>)	X	.	X	.	-	-	-
DS3 Convertible (2016>)	X	.	X	.	-	-	-
DS3 Crossback (2019>)	X	.	X	.	-	-	-
DS4 (2011>)	X	X	X	X	-	-	-
DS5 (2013>)	X	X	X	X	-	-	-
DS7 (2018>)	X	.	X	.	-	-	-
Jumpy (2007 - 2012)	X	X	X	X	X	X	X
Nemo (2008>)	X	.	X	.	-	-	-
Xsara 5Dr (2000 - 2006)	X	X	X	X	-	-	-
Xsara Picasso (2000 - 2012)	X	X	X	X	-	-	-
<b>Dacia</b>							
Duster (2012>)	X	.	X	.	-	-	-
Logan MCV (2006 - 2012)	X	X	X	X	-	-	-
Logan MCV (2013>)	X	.	X	.	-	-	-
Sandero (2013>)	X	.	X	.	-	-	-
<b>Fiat</b>							
124 Spider (2016>)	X	-	-	-	-	-	-
500 (2008 >)	X	.	.	.	-	-	-

	①	②	③	④	⑤	⑥	⑦
500 C (2009>)	X	.	.	.	.	.	.
Abarth 500 (2009>)	X	.	.	.	.	.	.
Bravo (2007>)	X	X	X	X	.	.	.
500L (2013>)	X	.	X	.	.	.	.
500X (2015>)	X	.	X	.	.	.	.
Doblo (2010>)	X	.	X	.	.	.	.
Panda (2012>)	X	.	X	.	.	.	.
Grande Punto (2006>)	X	X	X	X	.	.	.
Abarth Grande Punto (2008 - 2011)	X	X	X	X	.	.	.
Qubo (2008>)	X	.	X	.	.	.	.
Tipo (2016>)	X	.	X	.	.	.	.
<b>Ford</b>							
B-Max (2012 >)	X	X	X	X	.	.	.
C-Max (2003 - 2010)	X	.	X	.	.	.	.
C-Max (2010 - 2012)	X	.	X	.	.	.	.
C-Max (2013 >)	X	.	X	.	.	.	.
Edge (2016>)	X	.	X	.	.	.	.
Fiesta (2004 - 2008)	X	X	X	X	.	.	.
Fiesta (2008 - 2017)	X	.	X	.	.	.	.
Fiesta (2017>)	X	.	X	.	.	.	.
Focus Mk1 (1998 - 2005)	X	X	X	X	.	.	.
Focus (2005 - 2009)	X	.	X	.	.	.	.
Focus (2010 - 2015)	X	.	X	.	.	.	.
Focus (2015 - 2019)	X	X	X	X	.	.	.
Focus EV (2015 - 2019)	X	X	X	X	.	.	.
Focus (2019>)	X	.	X	.	.	.	.
Galaxy (2006 - 2015)	X	X	X	X	X	.	X
Galaxy (2016>)	X	X	X	X	X	.	X
Ka (2009 - 2016)	X	X	.	X	.	.	.
Ka+ (2016>)	X	.	X	.	.	.	.
Kuga (2008 - 2012)	X	.	X	.	.	.	.
Kuga (2013>)	X	.	X	.	.	.	.
Mondeo (2002 - 2007)	X	X	X	X	.	.	.
Mondeo Estate (2007- 2014)	X	.	X	.	.	.	.
Mondeo Hatchback (2007- 2014)	X	.	X	.	.	.	.
Mondeo Saloon (2007- 2014)	X	.	X	.	.	.	.
Mondeo (2014>)	X	X	X	X	.	.	.
Mustang Coupe (2016>)	X	X	.	X	.	.	.
Mustang Convertible (2016>)	X	X	.	X	.	.	.
S-Max (2006 -2015)	X	X	X	X	X	.	X

	①	②	③	④	⑤	⑥	⑦
S-Max (2016)	X	X	X	X	X	.	X
EcoSport (2015>)	X	.	X	.	.	.	.
<b>Honda</b>							
Accord Saloon (2008>)	X	.	X	.	.	.	.
Accord Tourer (2008>)	X	.	X	.	.	.	.
Civic (2012 - 2017)	X	.	X	.	.	.	.
Civic (2006 - 2011)	X	.	X	.	.	.	.
Civic Hybrid Saloon (2006 - 2010)	X	X	X	X	.	.	.
Civic Tourer (2014>)	X	.	X	.	.	.	.
Civic (2017>)	X	X	X	X	.	.	.
CR-V (2007 -2013)	X	.	X	.	.	.	.
CR-V (2012>)	X	.	X	.	.	.	.
Elysion (2012>)	X	.	.	.	X	.	X
FRV (2006 - 2011)	X	X	X	X	.	.	.
HR-V (2015>)	X	.	X	.	.	.	.
Insight (2009>)	X	.	X	.	.	.	.
Jazz (2002 - 2008)	X	.	X	.	.	.	.
Jazz (2008 - 2015)	X	.	X	.	.	.	.
Jazz (2016>)	X	.	X	.	.	.	.
Legend (2006 - 2010)	X	.	X	.	.	.	.
Odyssey (2010>)	X	X	.	X	.	.	.
<b>Hyundai</b>							
Getz (2005 - 2011)	X	X	X	X	.	.	.
i10 (2008 - 2013)	X	X	X	X	.	.	.
i10 (2014>)	X	.	X	.	.	.	.
i20 (2009 - 2014)	X	.	X	.	.	.	.
i20 (2015>)	X	.	X	.	.	.	.
i30 (2012 - 2014)	X	.	X	.	.	.	.
i30 (2015>)	X	.	X	.	.	.	.
i40 (2011>)	X	X	X	.	.	.	.
ix20 (2011>)	X	.	X	.	.	.	.
ix35 (2010>)	X	.	X	.	.	.	.
i800/H1 (2008>)	X	.	X	.	X	X	X
Ioniq (2016>)	X	.	X	.	.	.	.
Genesis (2016>)	X	.	X	.	.	.	.
Kona (2017>)	X	.	X	.	.	.	.
Santa Fe (2007 - 2012)	X	X	X	X	X	.	X
Santa Fe (2012>)	X	.	X	.	X	.	X

	①	②	③	④	⑤	⑥	⑦
Tucson (2010 - 2014)	X	•	X	•	-	-	-
Tucson (2015>)	X	•	X	•	-	-	-
Veloster (2012>)	X	X	-	X	-	-	-
<b>Infiniti</b>							
EX SUV (2009>)	X	X	X	X	-	-	-
FX SUV (2009>)	X	X	X	X	-	-	-
G Coupe (2009>)	X	X	-	X	-	-	-
G Saloon (2009>)	X	•	X	•	-	-	-
M Saloon (2010>)	X	X	X	X	-	-	-
<b>Jaguar</b>							
E-Pace (2018>)	X	•	X	•	-	-	-
F-Pace (2016>)	X	•	X	•	-	-	-
I-Pace (2018>)	X	•	X	•	-	-	-
F-Type Coupe (2014>)	X	-	-	-	-	-	-
X-Type (2001- 2010)	X	•	X	•	-	-	-
X-Type Estate (2004 - 2010)	X	•	X	•	-	-	-
XE (2015>)	X	•	X	•	-	-	-
XF (2008 - 2014)	X	•	X	•	-	-	-
XF (2015>)	X	•	X	•	-	-	-
XF R (2009 - 2014)	X	•	X	•	-	-	-
XF Sportbrake (2013 - 2017)	X	•	X	•	-	-	-
XJ (2010>)	X	•	X	•	-	-	-
XK/R Coupe (2006 - 2016)	X	X	-	X	-	-	-
XK Convertible (2006 - 2016)	X	X	-	X	-	-	-
<b>Jeep</b>							
Grand Cherokee (2011>)	X	•	X	•	-	-	-
Compass (2011>)	X	X	X	X	-	-	-
Cherokee (2014>)	X	X	X	X	-	-	-
Renegade (2015>)	X	•	X	•	-	-	-
Wrangler 5Dr (2007>)	X	•	X	•	-	-	-
<b>Kia</b>							
Carens (2013>)	X	•	X	•	•	•	•
Cee'D Hatch (2012>)	X	•	X	•	-	-	-
Niro (2017>)	X	•	X	•	-	-	-

	①	②	③	④	⑤	⑥	⑦
Optima (2011 - 2015)	X	X	X	X	-	-	-
Optima (2016>)	X	X	X	X	-	-	-
Picanto (2008 - 2011)	X	X	X	X	-	-	-
Picanto (2011>)	X	X	X	X	-	-	-
Rio (2012 - 2016)	X	•	X	•	-	-	-
Rio (2016>)	X	•	X	•	-	-	-
Sorento (2004 - 2009)	X	X	X	X	-	-	-
Sorento (2010 - 2014)	X	•	X	•	-	-	-
Sorento (2015>)	X	•	X	•	•	•	•
Soul (2009>)	X	X	X	X	-	-	-
Soul / EV (2015>)	X	X	X	X	-	-	-
Sportage (2011 - 2015)	X	•	X	•	-	-	-
Sportage (2016>)	X	•	X	•	-	-	-
Sonic (2017>)	X	•	X	•	-	-	-
Venga (2011>)	X	•	X	•	-	-	-
<b>Land Rover</b>							
Discovery Sport (2015>)	X	•	X	•	X	-	X
Discovery 4 (2009 - 2016)	X	•	X	•	X	-	X
Discovery 5 (2017>)	X	X	X	X	X	-	X
Freelander 2 (2006 - 2014)	X	•	X	•	-	-	-
Range Rover (2013>)	X	•	X	•	-	-	-
Range Rover (2002 - 2012)	X	•	X	•	-	-	-
Range Rover Sport (2005 -2012)	X	•	X	•	-	-	-
Range Rover Sport (2013>)	X	•	X	•	-	-	-
Range Rover Evoque 3 door (2011>)	X	•	X	•	-	-	-
Range Rover Evoque 5 door (2011>)	X	•	X	•	-	-	-
Range Rover Velar (2017>)	X	•	X	•	-	-	-
<b>Lancia</b>							
Thema (2012>)	X	X	X	X	-	-	-
Voyager (2010>)	X	•	-	•	X	X	X
Delta (2011>)	X	X	X	X	-	-	-
Ypsilon (2012>)	X	X	X	X	-	-	-
<b>Lexus</b>							
CT (2011>)	X	•	X	•	-	-	-
ES (2019>)	X	•	X	•	-	-	-
GS (2013>)	X	•	X	•	-	-	-

	①	②	③	④	⑤	⑥	⑦
GSh (2013>)	X	•	X	•	-	-	-
IS (1999 - 2004)	X	X	X	X	-	-	-
IS (2005 - 2012)	X	X	X	X	-	-	-
NX (2014>)	X	•	X	•	-	-	-
RX (2010-2016)	X	•	X	•	-	-	-
RX (2016>)	X	•	X	•	-	-	-
UX (2019>)	X	•	X	•	-	-	-

## Maserati

Levante (2017>)	X	•	X	•	-	-	-
Ghibli (2014>)	X	•	X	•	-	-	-
Quattroporte (2016>)	X	•	X	•	-	-	-
Maserati Gran Turismo (2007>)	X	•	-	•	-	-	-

## Mazda

CX-3 (2015>)	X	•	X	•	-	-	-
CX-5 (2011>)	X	•	X	•	-	-	-
CX-7 (2007 - 2011)	X	•	X	•	-	-	-
2 (2009 - 2015)	X	X	X	X	-	-	-
2 (2015>)	X	•	X	•	-	-	-
3 Hatch (2009 -2013)	X	X	X	X	-	-	-
3 Saloon (2009 -2013)	X	X	X	X	-	-	-
3 Hatchback (2014>)	X	•	X	•	-	-	-
5 (2005 - 2010)	X	•	X	•	-	-	-
6 Estate (2008 - 2012)	X	•	X	•	-	-	-
6 Hatch (2007 - 2012)	X	•	X	•	-	-	-
6 Saloon (2007 - 2009)	X	•	X	•	-	-	-
6 Estate (2013>)	X	•	X	•	-	-	-
6 Saloon (2012 - 2018)	X	•	X	•	-	-	-
6 Saloon (2018>)	X	X	X	X	-	-	-
MX-5 (2015>)	X	-	-	-	-	-	-

## Mercedes-Benz

A Class (2005 - 2012)	X	X	X	X	-	-	-
A-Class (2013 - 2018)	X	•	X	•	-	-	-
A-Class (2019>)	X	•	X	•	-	-	-
B-Class (2012>)	X	•	X	•	-	-	-
B-Class EV (2015>)	X	•	X	•	-	-	-
C-Class (2008>)	X	•	X	•	-	-	-

	①	②	③	④	⑤	⑥	⑦
C-Class Estate (2008>)	X	•	X	•	-	-	-
C-Class Coupe (2011>)	X	X	-	X	-	-	-
C-Class Estate (2015>)	X	•	X	•	-	-	-
CLA (2013>)	X	•	X	•	-	-	-
CLS Shooting Brake (2012>)	X	•	X	•	-	-	-
CLS Coupe (2011>)	X	X	X	X	-	-	-
E-Class (2005 - 2009)	X	X	X	X	-	-	-
E-Class Saloon (2009 - 2012)	X	•	X	•	-	-	-
E-Class Coupe (2009 - 2016)	X	X	-	X	-	-	-
E-Class Coupe (2017>)	X	X	-	X	-	-	-
E-Class Convertible (2017>)	X	X	-	X	-	-	-
E-Class Estate (2013 - 2018)	X	•	X	•	-	-	-
E-Class Saloon (2013 - 2018)	X	•	X	•	-	-	-
E-Class (2017>)	X	•	X	•	-	-	-
GLA (2014>)	X	•	X	•	-	-	-
GL Class (2006 - 2012)	X	•	X	•	X	-	X
GL/S Class (2012>)	X	•	X	•	X	-	X
GLC (2016>)	X	•	X	•	-	-	-
GLE (2015>)	X	•	X	•	-	-	-
ML-Class (2005 - 2012)	X	•	X	•	-	-	-
ML-Class (2012>)	X	•	X	•	-	-	-
R-Class (2006 - 2012)	X	•	X	•	-	-	-
S-Class (2006 - 2013)	X	X	X	X	-	-	-
S Class (2015>)	X	X	X	X	-	-	-
SL-Class (2012>)	X	-	-	-	-	-	-
SLK (2011>)	X	-	-	-	-	-	-
V-Class (2015>)	X	•	X	•	•	X	•

## MG

GS (2016>)	X	•	X	•	-	-	-
MG3 (2013 - 2015)	X	X	X	X	-	-	-
MG3 (2016>)	X	•	X	•	-	-	-
MG6 (2012 - 2016)	X	X	X	X	-	-	-

## MG Rover

Rover 25 Streetwise (1999 - 2005)	X	X	X	X	-	-	-
Rover Streetwise (1999 - 2005)	X	X	X	X	-	-	-
MG ZR (2001 - 2005)	X	X	X	X	-	-	-
MG ZT (2003 - 2006)	X	X	X	X	-	-	-

## Mini

① ② ③ ④ ⑤ ⑥ ⑦

Hatchback (2000 - 2006)	X	X	-	X	-	-	-
Hatchback (2006 - 2014)	X	X	-	X	-	-	-
Hatchback 3Dr (2014>)	X	X	-	X	-	-	-
Coupe (2009>)	X	-	-	-	-	-	-
Countryman (2010 - 2016)	X	X	X	X	-	-	-
Countryman (2017>)	X	•	X	•	-	-	-
Paceman (2013>)	X	•	-	•	-	-	-
Hatchback 5dr (2015>)	X	X	X	X	-	-	-
Clubman (2016>)	X	•	X	•	-	-	-

## Mitsubishi

ASX (2010>)	X	•	X	•	-	-	-
Colt (2007 - 2013)	X	X	X	X	-	-	-
Lancer (2008 - 2011>)	X	X	-	X	-	-	-
Lancer Sportback (2008 - 2011)	X	X	-	X	-	-	-
Lancer Ralliart (2009 - 2011)	X	X	-	X	-	-	-
Mirage (2014>)	X	X	X	X	-	-	-
Outlander (2007 - 2013)	X	X	X	X	-	-	-
Outlander (2013>)	X	•	X	•	-	-	-
Outlander PHEV (2015>)	X	•	X	•	-	-	-
Shogun (2007>)	X	•	X	•	-	-	-

## Nissan

Juke (2010>)	X	•	X	•	-	-	-
Leaf EV (2011 - 2018)	X	X	X	X	-	-	-
Micra (2011 - 2016)	X	X	X	X	-	-	-
Micra (2017>)	X	•	X	•	-	-	-
Murano (2016>)	X	•	X	•	-	-	-
Note (2006 - 2013)	X	•	X	•	-	-	-
Note (2014>)	X	•	X	•	-	-	-
Qashqai+2 (2008 - 2015)	X	•	X	•	-	-	-
Qashqai (2007 - 2013)	X	•	X	•	-	-	-
Qashqai (2014>)	X	•	X	•	-	-	-
Quest MPV (2012>)	X	•	-	•	X	-	X
Pulsar (2015>)	X	•	X	•	-	-	-
2008 X-Trail (2008 - 2015)	X	X	X	X	-	-	-
X-Trail (2015>)	X	•	X	•	X	-	X

## Opel

① ② ③ ④ ⑤ ⑥ ⑦

Adam (2013 >)	X	•	-	•	-	-	-
Agila (2008>)	X	X	X	X	-	-	-
Ampera (2011>)	X	•	-	•	-	-	-
Antara (2007 - 2015)	X	•	X	•	-	-	-
Astra (2004 - 2010)	X	X	X	X	-	-	-
Astra (2010 - 2016)	X	•	X	•	-	-	-
Astra Estate (2010 - 2016)	X	•	X	•	-	-	-
Astra GTC (2011>)	X	•	X	•	-	-	-
Astra (2015>)	X	•	X	•	-	-	-
Corsa D (2007 - 2014)	X	•	X	•	-	-	-
Corsa 3 dr hatch (2006 - 2015)	X	•	X	•	-	-	-
Corsa 5 dr (2006 - 2015)	X	•	X	•	-	-	-
Corsa 5dr (2015>)	X	•	X	•	-	-	-
Corsa VXR (2007 - 2014)	X	•	X	•	-	-	-
Crossland X (2018>)	X	•	X	•	-	-	-
Insignia Hatch (2009 - 2017)	X	•	X	•	-	-	-
Insignia Saloon (2009 - 2017)	X	•	X	•	-	-	-
Insignia Sports Tourer (2009 - 2017)	X	•	X	•	-	-	-
Insignia (2018>)	X	X	X	X	-	-	-
Karl (2015>)	X	X	X	X	-	-	-
Meriva (2010>)	X	•	X	•	-	-	-
Mokka (2013>)	X	•	X	•	-	-	-
Vectra (2005 - 2008)	X	X	X	X	-	-	-
Zafira (2005 - 2014)	X	•	X	•	-	-	-
Zafira Tourer (2014>)	X	•	X	•	X	-	X

## Peugeot

107 (2005 - 2014)	X	•	-	•	-	-	-
108 (2015>)	X	•	-	•	-	-	-
206 (2004 - 2009)	X	X	X	X	-	-	-
207 3dr (2006 - 2012)	X	•	X	•	-	-	-
207 5dr (2006 - 2012)	X	•	X	•	-	-	-
207 SW (2007 - 2012)	X	•	X	•	-	-	-
2008 (2013>)	X	•	X	•	-	-	-
208 3DR (2013>)	X	•	X	•	-	-	-
208 5DR (2013>)	X	•	X	•	-	-	-
307 Hatchback (2001 - 2007)	X	•	X	•	-	-	-
307 Estate (2001 - 2007)	X	•	X	•	-	-	-
308 Hatchback (2007- 2014)	X	•	X	•	-	-	-

	①	②	③	④	⑤	⑥	⑦
308 SW (2008 - 2015)	X	.	X	.	-	-	-
308 SW (2015>)	X	.	X	.	-	-	-
308 (2014>)	X	.	X	.	-	-	-
3008 (2009 - 2016)	X	.	X	.	-	-	-
3008 (2017>)	X	.	X	.	-	-	-
407 (2004 - 2011)	X	.	X	.	-	-	-
407 (SW) (2004 - 2011)	X	.	X	.	-	-	-
4007 (2007 - 2012)	X	X	X	X	.	-	-
508 (2011 - 2018)	X	.	X	.	-	-	-
508 SW (2011>)	X	.	X	.	-	-	-
508 RXH (2013>)	X	.	X	.	-	-	-
508 (2019>)	X	.	X	.	-	-	-
5008 (2011 - 2017)	X	.	X	.	X	-	X
5008 (2018>)	X	.	X	.	X	-	X
Bipper (2008>)	X	.	X	.	-	-	-
Expert Teepee (2007 - 2016)	X	X	X	X	X	X	X
Partner Combi (2004 - 2010)	X	X	X	X	.	-	-
Partner Teepee (2008>)	X	.	X	.	-	-	-
RCZ (2011>)	X	X	-	X	-	-	-
Traveller (2016>)	X	.	X	.	.	X	.

## Porsche

Cayenne (2011 - 2016)	X	.	X	.	-	-	-
Cayenne E-Hybrid (2015 - 2017)	X	.	X	.	-	-	-
Cayenne (2017>)	X	.	X	.	-	-	-
Macan (2015>)	X	.	X	.	-	-	-
Panamera (2011>)	X	.	-	.	-	-	-
Panamera E-Hybrid (2015>)	X	.	-	.	-	-	-

## Renault

Captur (2015>)	X	.	X	.	-	-	-
Clio (2005 - 2012)	X	.	X	.	-	-	-
Clio Sport (2006 - 2012)	X	.	X	.	-	-	-
Clio Sport Tourer (2007 - 2012)	X	.	X	.	-	-	-
Clio (2013>)	X	.	X	.	-	-	-
Espace (2003 - 2012)	X	.	X	.	X	-	X
Grand Espace (2003 - 2012)	X	.	X	.	X	-	X
Kadjar (2015>)	X	.	X	.	-	-	-

	①	②	③	④	⑤	⑥	⑦
Laguna (2008 - 2012)	X	.	X	.	-	-	-
Laguna Sport Tourer (2008 - 2012)	X	.	X	.	-	-	-
Megane (2007)	X	.	X	.	-	-	-
Megane Hatch (2002 - 2009)	X	.	X	.	-	-	-
Megane Hatch (2008 - 2016)	X	.	X	.	-	-	-
Megane Sport Tourer (2009 - 2016)	X	.	X	.	-	-	-
Megane Hatch (2016>)	X	.	X	.	-	-	-
Modus (2004 - 2012)	X	.	X	.	-	-	-
Grand Modus (2008 - 2012)	X	.	X	.	-	-	-
Scenic (2003 - 2009)	X	.	X	.	-	-	-
Scenic (2009-2016)	X	.	X	.	-	-	-
Scenic (2017>)	X	.	X	.	-	-	-
Twingo (2007 - 2014)	X	.	-	.	-	-	-
Twingo (2015>)	X	.	-	.	-	-	-

## Saab

93 (2002 - 2012)	X	.	X	.	-	-	-
93 Sport Wagon (2005 - 2012)	X	.	X	.	-	-	-
93 X (2009 - 2012)	X	.	X	.	-	-	-
95 Estate (2005 - 2010)	X	.	X	.	-	-	-
95 (2011-2012)	X	.	X	.	-	-	-

## Seat

Alhambra (2010>)	X	.	X	.	X	.	X
Altea (2004- 2011)	X	X	X	X	.	-	-
Altea XL (2007- 2011)	X	.	X	.	-	-	-
Altea Freetrack4 (2007- 2009)	X	.	X	.	-	-	-
Arosa (1997 - 2004)	X	X	X	X	.	-	-
Ateca (2017>)	X	.	X	.	-	-	-
Exeo (2008 - 2014)	X	.	X	.	-	-	-
Exeo ST Estate (2008 - 2014)	X	.	X	.	-	-	-
Ibiza Cupra (2009 - 2017)	X	X	X	X	.	-	-
Ibiza FR (2009 - 2017)	X	X	X	X	.	-	-
Ibiza Hatch (2008 - 2017)	X	X	X	X	.	-	-
Ibiza (2018 >)	X	.	X	.	-	-	-
Leon 5dr (2001 - 2005)	X	X	X	X	.	-	-
Leon 5dr (2005 - 2012)	X	.	X	.	-	-	-
Leon (2013>)	X	.	X	.	-	-	-
mii (2011>)	X	.	X	.	-	-	-
Toledo (2013>)	X	.	X	.	-	-	-

	①	②	③	④	⑤	⑥	⑦
<b>Skoda</b>							
Citigo (2012>)	X	•	X	•	-	-	-
Fabia (2015>)	X	•	X	•	-	-	-
Fabia Estate Combi (2008>)	X	•	X	•	-	-	-
Fabia Hatch (2007>)	X	•	X	•	-	-	-
Karoq (2017>)	X	•	X	•	-	-	-
Kodiaq (2017>)	X	•	X	•	X	-	X
Octavia Estate Combi (2005 - 2013)	X	X	X	X	-	-	-
Octavia (2004 - 2012)	X	X	X	X	-	-	-
Octavia Scout (2007 - 2013)	X	•	X	•	-	-	-
Octavia Hatch (2013>)	X	•	X	•	-	-	-
Rapid (2013>)	X	X	X	X	-	-	-
Roomster (2006>)	X	•	X	•	-	-	-
Superb Combi/Estate (2008>)	X	•	X	•	-	-	-
Superb (2008 - 2014)	X	•	X	•	-	-	-
Superb (2015>)	X	•	X	•	-	-	-
Yeti (2009>)	X	X	X	X	-	-	-
<b>Smart</b>							
For Two Coupe (2007 - 2011)	X	-	-	-	-	-	-
FourFour (2015>)	X	•	-	•	-	-	-
<b>Ssangyong</b>							
Actyon (2006 - 2011)	X	X	X	X	-	-	-
Korando (2011- 2017)	X	•	X	•	-	-	-
Musso Pickup (2016)	X	X	X	X	-	-	-
Rexton (2014>)	X	•	X	•	-	-	-
Tivoli (2016>)	X	X	X	X	-	-	-
Turismo (2014>)	X	X	X	X	X	X	X
<b>Subaru</b>							
BRZ (2012>)	X	X	-	X	-	-	-
Forester (2013>)	X	•	X	•	-	-	-
Impreza (2007 - 2012)	X	•	X	•	-	-	-
Impreza (2013>)	X	•	X	•	-	-	-
Legacy (2012>)	X	•	X	•	-	-	-
Levorg (2014>)	X	•	X	•	-	-	-

	①	②	③	④	⑤	⑥	⑦
<b>Suzuki</b>							
Outback (2012>)	X	•	X	•	-	-	-
XV Hatchback (2011>)	X	•	X	•	-	-	-
Alto (2009>)	X	•	-	•	-	-	-
Baleno (2016>)	X	X	X	X	-	-	-
Celerio (2016>)	X	•	X	•	-	-	-
Grand Vitara (2006>)	X	•	X	•	-	-	-
Vitara (2015>)	X	X	X	X	-	-	-
Ignis (2016>)	X	•	X	•	-	-	-
Swift Sport (2011 - 2016)	X	•	X	•	-	-	-
Swift (2017>)	X	•	X	•	-	-	-
Splash (2008>)	X	X	X	X	-	-	-
SX-4 (2006>)	X	•	X	•	-	-	-
SX-4 (2009>)	X	•	X	•	-	-	-
<b>Tesla</b>							
Model S (2014>)	X	•	X	•	-	-	-
Model X (2016>)	X	•	X	•	X	-	X
<b>Toyota</b>							
Auris (2007 - 2012)	X	X	X	X	-	-	-
Auris (2013>)	X	•	X	•	-	-	-
Avenis Hatch (2003 - 2011)	X	X	X	X	-	-	-
Avenis Tourer (2009>)	X	X	X	X	-	-	-
Aygo (2005 - 2014)	X	•	-	•	-	-	-
Aygo (2014 - 2019)	X	•	-	•	-	-	-
Aygo (2019>)	X	X	-	X	-	-	-
C-HR (2017>)	X	•	X	•	-	-	-
Corolla (2019>)	X	•	X	•	-	-	-
EZ Mpv (2013>)	X	•	X	•	-	-	-
GT86 (2012>)	X	X	-	X	-	-	-
Highlander (2013>)	X	X	X	X	-	-	-
Land Cruiser (2003 - 2009)	X	X	X	X	-	-	-
Landcruiser (2009>)	X	X	X	X	-	-	-
Prius 2 (2004 - 2010)	X	X	X	X	-	-	-
Prius 3 (2010 - 2016)	X	X	X	X	-	-	-
Prius PHEV 3 (2015>)	X	X	X	X	-	-	-
Prius Plus+ (2012>)	X	•	X	•	-	-	-

	①	②	③	④	⑤	⑥	⑦
Prius 4 (2016>)	X	•	X	•	-	-	-
RAV 4 (Mk3) (2006 - 2012)	X	X	X	X	-	-	-
RAV4 (2013 - 2018)	X	•	X	•	-	-	-
RAV4 Hybrid (2015 - 2018)	X	•	X	•	-	-	-
RAV4 (2019>)	X	•	X	•	-	-	-
Verso (2009 - 2012)	X	•	X	•	-	-	-
Verso (2013>)	X	•	X	•	-	-	-
Yaris (2008 - 2011)	X	X	X	X	-	-	-
Yaris (2011 - 2017)	X	X	X	X	-	-	-
Yaris (2017>)	X	•	X	•	-	-	-

## Vauxhall

Adam (2013>)	X	•	-	•	-	-	-
Agila (2008>)	X	X	X	X	-	-	-
Ampera (2011>)	X	•	-	•	-	-	-
Antara (2007 - 2015)	X	•	X	•	-	-	-
Astra (1998 - 2004)	X	X	X	X	-	-	-
Astra (2004 - 2010)	X	X	X	X	-	-	-
Astra 5 dr (2010>)	X	•	X	•	-	-	-
Astra Estate (2010>)	X	•	X	•	-	-	-
Astra GTC (2011>)	X	•	X	•	-	-	-
Astra (2015>)	X	•	X	•	-	-	-
Corsa D (2007>)	X	•	X	•	-	-	-
Corsa 3 dr hatch (2006 - 2015)	X	•	X	•	-	-	-
Corsa 5 dr (2006 - 2015)	X	•	X	•	-	-	-
Corsa 5dr (2015>)	X	•	X	•	-	-	-
Corsa VXR (2007>)	X	•	X	•	-	-	-
Crossland X (2018>)	X	•	X	•	-	-	-
Insignia Hatch (2009 - 2017)	X	•	X	•	-	-	-
Insignia Saloon (2009 - 2017)	X	•	X	•	-	-	-
Insignia Sports Tourer (2009 - 2017)	X	•	X	•	-	-	-
Insignia (2018>)	X	•	X	•	-	-	-
Meriva (2010>)	X	•	X	•	-	-	-
Mokka (2013>)	X	•	X	•	-	-	-
Vectra (2005 - 2008)	X	X	X	X	-	-	-
Viva (2015>)	X	X	X	X	-	-	-
Zafira (2005 - 2014)	X	•	X	•	-	-	-
Zafira Tourer (2012>)	X	•	X	•	X	-	X

## VW

	①	②	③	④	⑤	⑥	⑦
Beetle (2012>)	X	•	-	•	-	-	-
Caddy (2010>)	X	•	X	•	X	-	X
Caddy Maxilife (2010 - 2015)	X	•	X	•	X	-	X
Multivan Caravelle (2008>)	X	•	-	•	-	X	•
Golf Convertible (2009 - 2012)	X	•	-	•	-	-	-
Golf Hatch Mk5 (2004 - 2008)	X	•	X	•	-	-	-
Golf Hatch Mk6 (2009 - 2012)	X	•	X	•	-	-	-
Golf Hatch Mk7 (2012>)	X	•	X	•	-	-	-
Golf GTE Hatch Mk7 (2014>)	X	•	X	•	-	-	-
E-Golf Hatch Mk7 (2014>)	X	•	X	•	-	-	-
Golf Plus (2009 - 2011)	X	•	X	•	-	-	-
Jetta (2011>)	X	X	X	X	-	-	-
Lupo (1999 - 2005)	X	X	-	X	-	-	-
Passat (2005 - 2010)	X	•	X	•	-	-	-
Passat (2010 - 2015)	X	•	X	•	-	-	-
Passat Saloon (2015>)	X	•	X	•	-	-	-
Passat Alltrack (2012>)	X	•	X	•	-	-	-
Passat CC (2008>)	X	•	X	•	-	-	-
Passat Estate (2005 - 2011)	X	•	X	•	-	-	-
Passat Estate (2011 - 2015)	X	•	X	•	-	-	-
Passat Estate (2015>)	X	•	X	•	-	-	-
Polo (2006 - 2009)	X	•	X	•	-	-	-
Polo (2009 - 2017)	X	•	X	•	-	-	-
Polo (2017>)	X	•	X	•	-	-	-
Scirocco (2011>)	X	•	-	•	-	-	-
Sharan (2010>)	X	•	X	•	X	-	X
T-Roc (2017>)	X	•	X	•	-	-	-
T-Cross (2019>)	X	•	X	•	-	-	-
Tiguan (2008 - 2016)	X	•	X	•	-	-	-
Tiguan (2016>)	X	•	X	•	-	-	-
Tiguan Allspace (2017>)	X	•	X	•	X	-	X
Touareg (2003 - 2010)	X	•	X	•	-	-	-
Touareg (2010 - 2017)	X	•	X	•	-	-	-
Touareg (2018>)	X	•	X	•	-	-	-
Touran (2010 - 2015)	X	•	X	•	X	-	X
Touran (2016>)	X	•	X	•	X	-	X
UP! (2012>)	X	•	X	•	-	-	-
E-UP! (2014>)	X	•	X	•	-	-	-

## Volvo

C30 (2007 - 2013)	X	X	-	X	-	-	-
-------------------	---	---	---	---	---	---	---



	①	②	③	④	⑤	⑥	⑦
S40 (2004 - 2012)	X	X	X	X	-	-	-
S60 (2010>)	X	•	X	•	-	-	-
S80 (2007 - 2015)	X	•	X	•	-	-	-
S90 (2016>)	X	•	X	•	-	-	-
V40 (2013>)	X	•	X	•	-	-	-
V40 Cross County (2013>)	X	•	X	•	-	-	-
V50 (2004 - 2012)	X	X	X	X	-	-	-
V60 (2011 - 2018)	X	•	X	•	-	-	-
V60 Plug-In (2015 - 2018)	X	•	X	•	-	-	-
V60 (2019>)	X	•	X	•	-	-	-
V70 (2008 - 2015)	X	•	X	•	-	-	-
V90 (2016>)	X	•	X	•	-	-	-
XC40 (2018>)	X	•	X	•	-	-	-
XC60 (2013 - 2017)	X	•	X	•	-	-	-
XC60 (2017>)	X	•	X	•	-	-	-
XC70 (2008>)	X	•	X	•	-	-	-
XC90 (2003 - 2014)	X	X	X	X	-	-	-
XC90 (2016>)	X	•	X	•	X	-	X