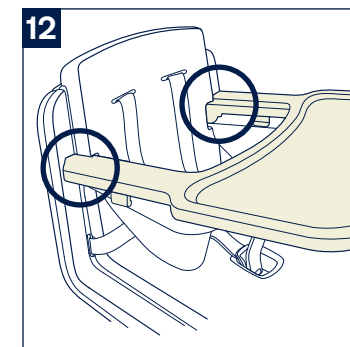
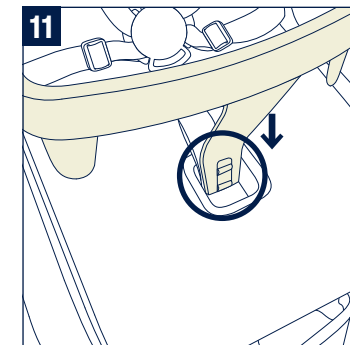
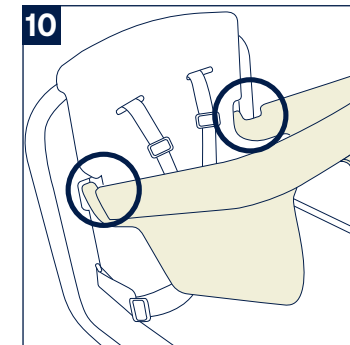
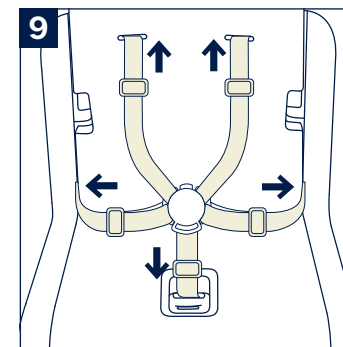
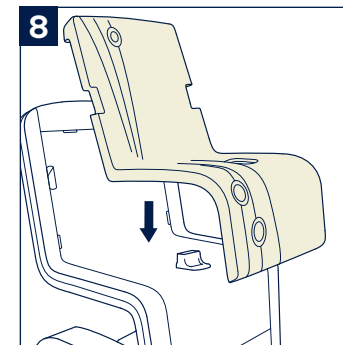
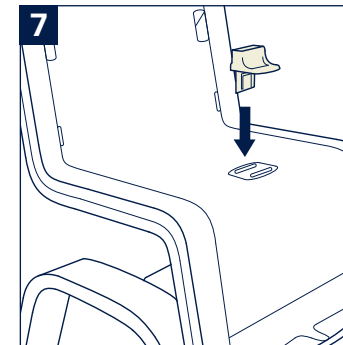
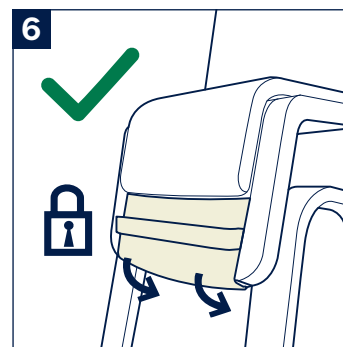
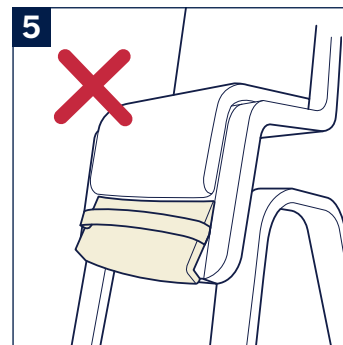
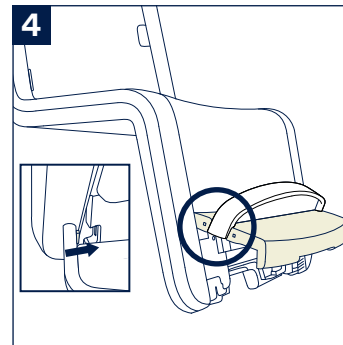
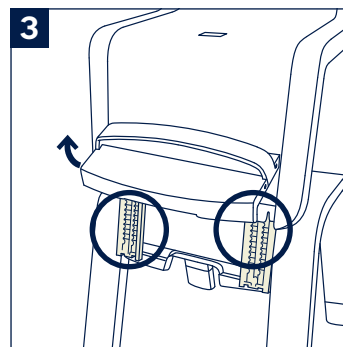
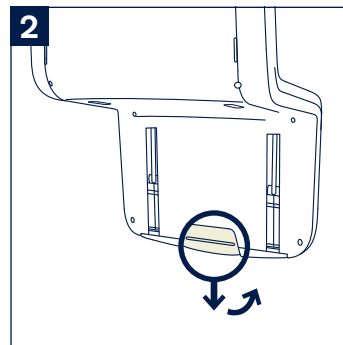
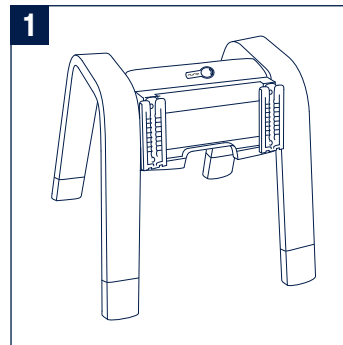
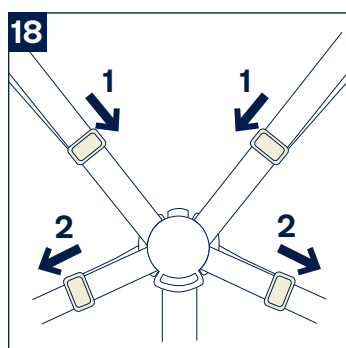
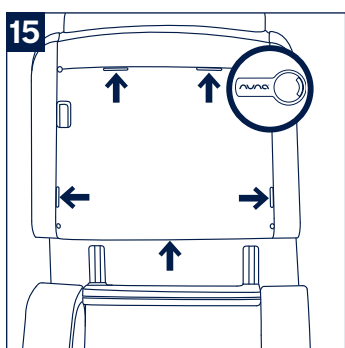
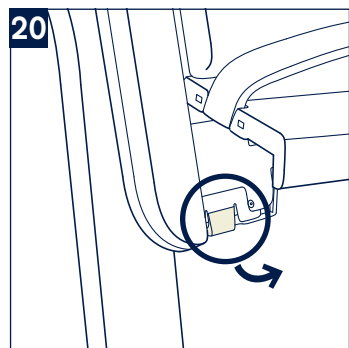
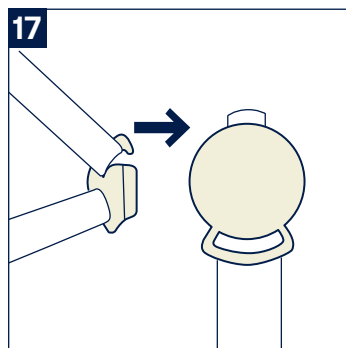
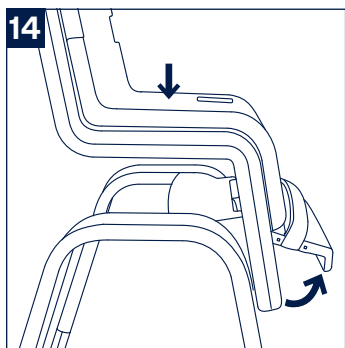
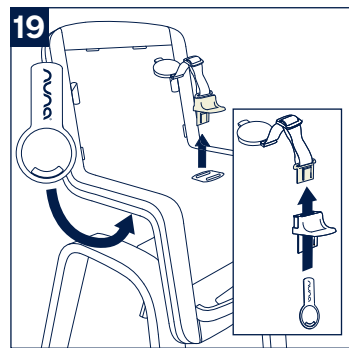
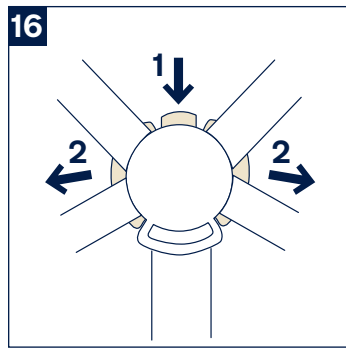
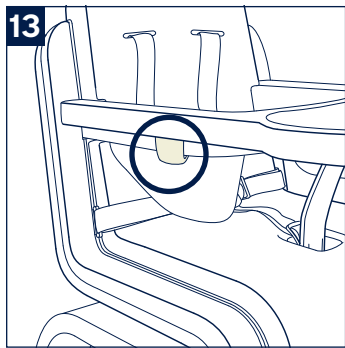


*Designed
around your life*

nuna[®]





**请妥善保存本说明书
以备不时之需!**
使用产品前请仔细阅读
本说明书, 并妥善保存
说明书以便日后参考。

目录

产品资讯	7
保固与售后服务	
保固条件	
联络我们	
适用范围	8
警告	9
有害物质限量要求	10
产品组件及各部位名称	11
产品安装	12
产品使用	15
维护与保养	18
English	19

产品资讯

产品名称： _____

生产日期： _____

保固与售后服务

产品于保固期间内发生问题，请与零售商联络；若零售商无法提供服务，他们会联络当地的Nuna经销商。请留意产品座椅下方的产品型号与生产日期序号。当有保固需求时，请提供以上产品资讯。

请至www.nunababy.com/register-gear网站登记您购买的产品。

保固条件

保固始于产品购买日，我们提供维修服务，但不提供产品退换。保固期限不会因零件更换或维修而延长。Nuna有权利针对产品进行改善设计，此前制造的产品则无更换义务。

相关保固资讯，详见官网：

www.nunababy.com/warranty

联络我们

我们期望不断改进并开发新的产品，请随时告知您对Nuna产品的意见和建议。

info@nunababy.com

www.nunababy.com

主要材质： 塑胶、铝/铁

型 号： HC16100FRTCH、HC16100PNECH

执行标准： GB 22793.1-2008
《家具儿童高椅-第1部分:安全要求》
GB/T 22793.2-2008
《家具儿童高椅-第2部分:试验方法》

产 地： 中国

生产企业： 明门(中国)婴童用品有限公司

地 址： 广东省东莞市清溪镇银湖工业区

适用范围

餐椅只能在小孩可自行坐立（约6-7个月）时使用。小孩体重超过50公斤时，请立即停止使用本餐椅。本餐椅专为小孩设计，成人请勿使用。

警告

请务必依照产品说明书和警告以避免导致严重伤害甚至是死亡事件发生。

- ! 使用本餐椅之前,请务必移除、销毁或是将所有附加包装远离小孩,以防止小孩窒息!
- ! 切勿让小朋友单独使用本餐椅!
- ! 小朋友务必正确配带安全带!
- ! 使用本餐椅前,请先确认所有零件皆已安装完成!
- ! 若发现任何零件遗失、损伤时,请立即停止使用本餐椅!
- ! 请将本餐椅远离高温或火源!
- ! 仅使用餐盘与扶手并不能保证小朋友的安全。
- ! 请勿让小朋友于本餐椅附近玩耍或攀爬。
- ! 请于平坦稳定表面使用本餐椅。
- ! 请务必将本餐椅远离台阶、楼梯、窗户与墙壁。
- ! 任何附载于餐椅本身和餐盘上的重量将影响餐椅的稳定性,同时导致可能翻覆的风险。
- ! 调整高度只能在小朋友不坐在餐椅时使用。
- ! 不可将本餐椅作为脚凳使用。

! 不得将细小物品、有毒物质、高温物质和电缆线等物品靠近本餐椅,以防小朋友接近,导致窒息、中毒和受伤。

! 座垫必须与扶手和安全带组一起合并使用。

! 本餐椅只能搭配NUNA原厂配件使用

有害物质限量要求

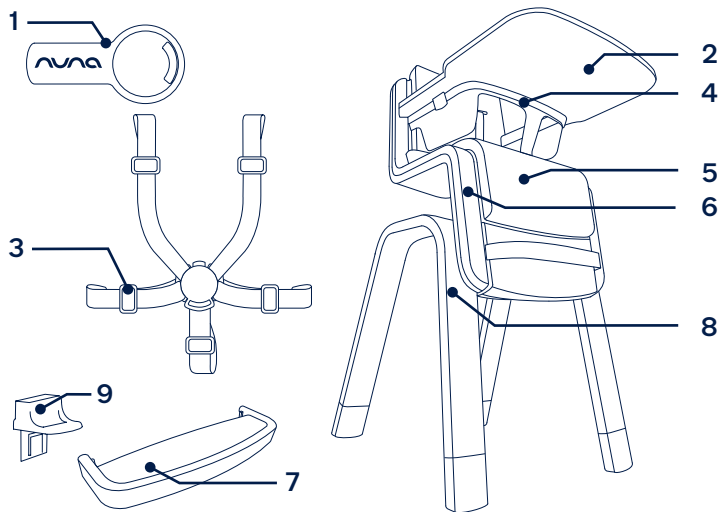
GB 28481-2012 《塑料家具中有害物质限量》

材料	有害物质	有害物质的控制限量	验证状况
可接触范围内的材料和表面涂层/纺织品(粘合剂)	邻苯二甲酸酯(DBP, BBP, DEHP, DNOP, DINP, DIDP)	0.10%	符合要求
	铅(Pb)迁移	90毫克/公斤	
	镉(Cd)迁移	75毫克/公斤	
	汞(Hg)迁移	60毫克/公斤	
	铬(Cr)迁移	60毫克/公斤	
	苯并(a)芘	1.0毫克/公斤	
	16种多环芳香烃(PAH)	10毫克/公斤	
	多溴联苯(PBB) 多溴联苯醚(PBDE)	1000毫克/公斤	
本产品所有原料特性符合GB 28481的相关要求,为了避免因使用不当对消费者产生不利影响,请勿让小孩啃咬本产品。			

产品组件及各部位名称

- 1 拆解片(拆卸安全带)
- 2 餐盘
- 3 5方向安全带
(已预先与座椅安装)
- 4 扶手
- 5 座垫
- 6 座椅(具有折板和背面有高度调整锁)

- 7 脚踏板
 - 8 脚架
 - 9 座垫固定块
- 需要工具：拆解片(以便需要时拆卸安全带)



组装本餐椅之前，请确认所有配件皆备齐，同时参考本说明书前页的安装图示，确认相关零件。

产品安装

图片请参阅说明书1-4页

组装前先确认备齐所有配件。

此产品必须由成人安装。

安装座椅

一旦座椅套上脚架，即代表组装完成。尽管可视需要将座椅拆下保管或运送，我们建议不要太经常反复安装座椅

- 1 - 面向脚架正面。(1)
 - 2 - 拿出座椅并将座椅背面高度调整锁往下拉，然后将折板完全往前拉。(2)
 - 3 - 把座椅对齐两边白槽孔安装并固定在脚架上。(3)
 - 4 - 座椅固定在白线上方，折板朝上，用力将座椅往下压直到「咔」声响出现。若折板未完全朝上，座椅无法往下推。持续用力压座椅表面到座椅的最低档位。
 - 5 - 降低折板到「咔」声响出现，表示座椅锁已卡住且座椅固定。
- 座椅已和脚架固定，同时亦可调整高度。

安装脚踏板

- 1 - 将座椅安全锁往下滑至折板后方，把折板往上抬，座椅会自动往上升至最高段位。(2)
- 2 - 先将脚踏板安装在折板的一端后，内缩另一边以便卡合折板的另一端。(4)
- 3 - 把折板降低到「咔」声响出现，表示座椅锁已经定位且座椅已固定。(5)(6)

安装座垫

- 1 - 先移开餐盘、扶手与安全带，并将座垫固定块安装在座椅上。
- 2 - 将座垫固定块依图置入孔洞中。听到「咔」的声响代表已固定。(7)
- 3 - 接着将坐垫放至于座椅上。(8)

安装安全带

警告 — 使用餐椅时，安全带务必调整并安装在小朋友身上。只有安装安全带，本餐椅得以符合欧洲 EN 14988:2017+A1:2020 餐椅相关安全标准。GB 22793.1-2008/ GB/T 22793.2-2008

- 1 - 将腰扣插入背靠较低孔洞（靠近座垫的位置），同时会有「咔」的声响出现。(9)
- 2 - 将肩带扣插入背靠较高孔洞，同时会有「咔」的声响出现。(9)
- 3 - 将其他胯带安全扣插入（使用座垫时，须穿过座垫插入）座椅表面中间胯带孔较内侧的孔洞，同时会有「咔」的声响出现。(9)
- 4 - 拉一拉左右两旁插入孔的安全带以便确认安全带已经完成安装。(9)

安装扶手

警告 — 仅使用扶手并不能确保小朋友的安全!

- 1 - 将扶手左右两侧末端的卡勾确实插入于座椅背靠的两侧孔洞（使用座垫时，则须穿过座垫插入）。(10)
- 2 - 当扶手左右两侧的卡勾确实勾住座椅背靠后，将扶手前档块插入座椅表面胯带孔较外侧的孔洞，同时会有「咔」声（使用座垫时，则须穿过座垫插入）。(11)
- 3 - 检查扶手已确实安装。
试着往上拉一拉扶手前端以确保安装到位。
试着往上拉一拉扶手前档块以确保安装到位。

安装餐盘在扶手上

警告 — 仅使用餐盘和扶手并不能确保小朋友的安全!

- 1 - 将餐盘置于扶手上面，把餐盘的卡榫插入扶手与座椅背靠中的槽孔。(12)
- 2 - 解开餐盘底下侧边的两个餐盘扣，将餐盘往下压，直到餐盘扣已固定在扶手。(13)
- 3 - 往上拉一拉餐盘以确保餐盘已固定。

产品使用

调整高度

警告 — 调整高度只能在小朋友没有坐在餐椅内进行!

- 1 - 将座椅安全锁往下滑至折板后面，把折板往上抬。座椅会自动往上升到最高位置。(2)
- 2 - 降低座椅，折板往上抬，同时把座椅椅面用力往下压到想要的位置。(14)
- 3 - 把折板放低到定位。座椅安全锁到位时会有「咔」的声响，此时座椅位置已固定。

调整安全带与安全扣

- 1 - 按下母扣上的按钮，安全扣会自动解开。(16)
 - 2 - 将腰带及肩带扣环结合，并与母扣对齐，安全扣会自动扣合。(17)
 - 3 - 滑动肩部织带将长度调紧(18)-1，并将腰部织带调整扣向外拉(18)-2，确保小朋友牢牢系上安全带。
- ! 请记得确认安全带舒适地安装在小朋友身上。

移除餐盘

- 1 - 解开餐盘底下侧边的两个餐盘扣。(13)
- 2 - 将餐盘轻轻地往上提以便脱离扶手，并自座椅背后拉开。

移除扶手

- 1 - 压下扶手前方的按钮并将扶手自座椅上往上拉。(11)
- 2 - 把扶手两端自座椅背靠后方孔洞退出。(10)

! 当取下扶手清洁后，须确保有正确的将扶手安装到餐椅上。请参照“安装扶手”的说明。

移除安全带

警告 — 使用餐椅时，安全带务必调整并安装在小朋友身上。只有安装安全带，本餐椅得以符合欧洲 EN 14988:2017+A1:2020餐椅相关安全标准。GB 22793.1-2008/ GB/T 22793.2-2008

欲清洁安全带或让较大小孩使用餐椅时，可拆卸安全带。

将Nuna拆解片插入座椅背后与底下的安全带槽孔以便移除塑胶扣。将安全带拉出与移除。(15)

移除座垫

- 1 - 移除座垫之前，先移除餐盘和扶手，必要时连同安全带一起移除。
- 2 - 当座垫取下不用时，请务必移除座垫固定块，方法为将Nuna钥匙伸入座椅下方，穿入座垫固定块固定的卡槽中，座垫固定块即可轻松取下。(19)

移除脚踏板

- 1 - 将座椅锁往下滑至折板后方，并将折板往上拉。座椅会自动上升到最高段位。(2)
- 2 - 将脚踏板一端往内缩后，自折板退出，再解开另一端方可取下脚踏板。(4)
- 3 - 请记得降低折板到「咔」的声响出现，已确认座椅锁卡回原本位置。

取下座椅

一旦座椅套上脚架，即代表组装完成。尽管可视需要将座椅拆下保管或运送，我们建议不要太经常反复安装座椅。

- 1 - 将座椅锁往下滑至折板后方，并将折板往上拉。座椅会自动上升到最高段位。(2)
- 2 - 轻轻地将两边卡榫拉出。(20)
- 3 - 将折板完全往上拉、座椅可以往上推并脱离脚架。

维护与保养

可用湿布或中性清洁剂清洁餐椅和相关配件。请勿以强硷或溶剂清洁，避免造成产品毁损。

铝制餐椅脚架可无需清洁，但有可能因擦撞和冲撞而毁损。

持续曝晒于阳光下可能导致车台和零件变色。

定期检查餐椅产品，以便发现任何可能的损伤。

**IMPORTANT!
READ CAREFULLY
AND KEEP FOR
FUTURE REFERENCE**

Contents

Product Information	21
Warranty	
Contact	
Child Usage Requirements	22
Warning	23
Parts List	25
Product Set Up	26
Product Use	29
Cleaning and Maintenance	32

Product Information

Model Number: _____

Manufactured Date: _____

Warranty

We have purposely designed our high-quality products so that they can grow with both your child and your family. Because we stand by our product, our gear is covered by a custom warranty per product, starting from the day it was purchased. Please have the proof of purchase, model number and manufactured date available when you contact us.

For warranty information please visit:

www.nunababy.com

Click the “Warranty” link on the homepage.

Contact

For replacement parts, service, or additional warranty questions, please contact our customer service department

info@nunababy.com

www.nunababy.com

In the United Kingdom:

infouk@nunababy.com

www.nunababy.com

NUNA International B.V.

Van der Valk Boumanweg 178 C

2352JD Leiderdorp

The Netherlands

In Canada:

info@nunababy.ca

1.800.667.4111

Child Usage Requirements

This high chair is suitable for use with children who meet the following requirements:

Child: sit upright unaided

Weight:

Up to 15 kg maximum, approximately 3 years old or under
(Complies with EN14988:2017+A1:2020)

Up to 100 kg maximum (Complies with BSEN12520)

WARNING

Failure to follow these warnings and instructions could result in serious injury or death.

To avoid any danger of suffocation, remove all plastic covers before using this item and destroy or keep them away from babies and children!

Always use the restraint system.

Be aware of the risk of open fires and other sources of strong heat in the vicinity of the product.

The tray and armbar alone **DO NOT** guarantee the restraint of your child.

Falling hazard: Prevent your child from climbing on the product.

Be sure to use the high chair always on a level, stable surface.

Keep the high chair away from steps, stairs, windows and walls.

Any weight attached to the high chair or on the tray will have a negative impact on the stability of the high chair and increase the risk of the high chair tipping over.

The cushion is meant to be used in combination of the armbar, the harness restraint or both eventually.

Use original Nuna parts and accessories only.

Be aware of the risk of tilting when your child can push its feet against a table or any other structure.

DO NOT use the product unless all components are correctly fitted and adjusted.

DO NOT use the high chair if any parts are torn, broken or missing!

DO NOT adjust the height of the high chair while the child is sitting in it.

DO NOT use the high chair as a step stool.

NEVER leave the child unattended!

NEVER place small items, toxic substances, hot objects, electrical cables etc. near the high chair where the child can reach them, as they may cause choking, poisoning or other injuries.

DO NOT use the highchair until the child can sit up unaided.

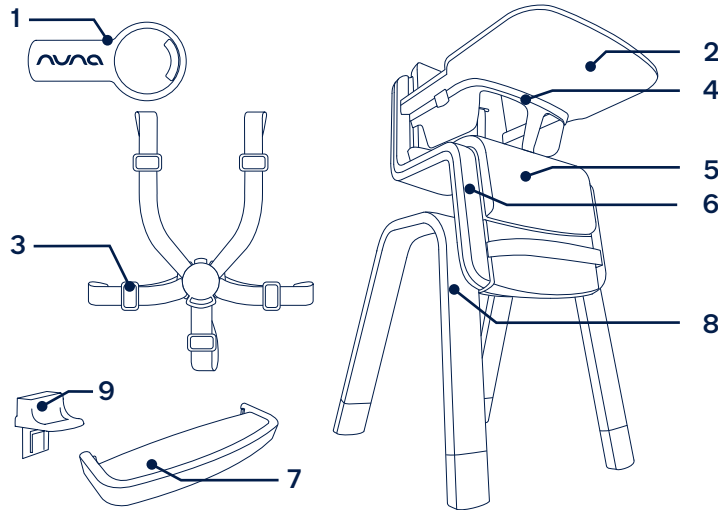
WARNING To make sure that any harness is correctly fitted.

Parts List

- 1 Nuna key (Harness restraint removal tool)
- 2 Tray
- 3 Harness restraint 5 pts
- 4 Armbar
- 5 Seat cushion
- 6 Seat (with flap and height adjustment lock on reverse side)

- 7 Footrest
- 8 Leg frame
- 9 Cushion Retainer

Tools Needed:
Nuna key to remove harness restraint when desired (included in the box)



Check that you have all the parts for this product before assembling it.
Refer to the illustrations provided at the beginning of this manual to identify each part.

Product Set Up

Check that you have all the parts for this product before assembling it. The assembly should be performed only by adults.

Assemble Seat onto Leg Frame

Once the seat is attached to the legs of the chair, it is considered to be a permanent assembly. However, it is possible to reverse this assembly if the seat needs to be put into storage or shipped. We recommend this should not be a regular occurrence.

- 1 - Place the leg frame on the floor facing you, as illustrated. **(1)**
- 2 - Take the seat. Release the lock by pulling down the latch at the rear of the seat flap. Then pull the flap forward completely. **(2)**
- 3 - Position the seat over the leg frame to line up the slots behind the seat flap with the white tracks on the leg frame, as illustrated. **(3)**
- 4 - Once the seat is correctly positioned over the white tracks, keep the flap up and firmly push the seat downward until you hear a click. If the flap is not completely up you will not be able to push the seat down. Continue to push firmly on the sitting surface until the seat reaches its lowest position.
- 5 - To lock the seat, lower the flap and listen for the click as the lock clicks back into position.

The seat is now permanently mounted to the legs and can be adjusted within the range between the highest and lowest positions.

Assemble Footrest onto Seat

- 1 - Slide down the lock behind the flap and lift the flap completely. The seat automatically rises up to its highest position. (2)
- 2 - Attach the footrest on one side of the flap and then flex the footrest to attach it on the other side. (4)
- 3 - Lower the flap down into position. Listen for the click as the lock clicks back into position. (5)(6)

Assemble Seat Cushion onto Seat

- 1 - First remove the tray, the armbar and the harness restraint if necessary.
- 2 - Insert the cushion retainer into the slot. Listen for the click sound means locked. (7)
- 3 - Then place the seat cushion onto the seat. (8)

Assemble Harness Restraint onto Seat

WARNING When used as a high chair, the child must always wear the harness restraint correctly fitted and adjusted. The chair complies with the high chair European standard (EN14988:2017+A1:2020 & BSEN12520) only when the harness is fitted.

- 1 - Insert waist clips into the lower backrest holes (around the seat cushion, when cushion in use) and listen for a click. (9)
- 2 - Insert shoulder harness clips into the upper backrest holes and listen for click. (9)
- 3 - Insert the remaining crotch clip (through the seat cushion, when cushion in use) into the inner of two holes in the sitting surface of the seat and listen for a click. (9)

- 4 - Check that the harness attachment is secure by pulling on each attachment point.

Assemble Armbar onto Seat

WARNING The armbar alone **DOES NOT** guarantee the restraint of your child!

- 1 - With the arm bar tilted up, hook both the ends of the arm bar into the holes in the backrest to the right and left of the seating area. (10)
- 2 - Rotate the armbar down, locking the ends of the armbar to the seat back and insert the front center attachment into the outer slot until it locks in place, listen for the click. (11)
- 3 - Check that the armbar is secure:
 - by pulling out on the front of the arm bar.
 - by pulling up on the front center attachment

Assemble Tray onto Armbar

WARNING The tray and the armbar alone **DO NOT** guarantee the restraint of your child!

- 1 - Position the tray over the armbar. Insert the tabs at the back of the tray into the slots between the armbar and the backrest of the seat, as illustrated. (12)
- 2 - Push the tray down until the side clips fasten around the armbar. (13)
- 3 - Check that the tray is secure by pulling up on the front of the tray.

Product Use

EN

Adjusting the Seat Height

WARNING DO NOT adjust the height of the chair while a child is in the seat!

- 1 - Slide down the lock behind the flap and lift the flap completely. The seat automatically rises up to the highest position. **(2)**
- 2 - To lower the seat, keep the flap lifted completely and push down firmly on the sitting surface of the seat until it reaches the desired position. **(14)**
- 3 - Lower the flap down into position. Listen for the click as the lock clicks back into position. The seat position is now locked.

Adjust the Harness Restraint and Buckle

- 1 - Press the button, the buckle will release automatically. **(16)**
 - 2 - Match the waist belt buckle with the shoulder buckle, and align them with the center buckle, the buckle can lock automatically. **(17)**
 - 3 - Fit the harness snugly to your child by sliding the adjustment straps to tighten **(18)**-1. Then pull the waist adjustment slide buckle out **(18)**-2.
- ! Don't forget to check and adjust the harness to fit your child snugly.

Remove the Tray

- 1 - Release the two clips on both sides under the tray. **(13)**
- 2 - Gently lift the tray upwards so that it clears the armbar and pull away from the back of the seat.

Remove the Armbar

- 1 - Push the button on the front of the armbar and pull the armbar up to release it from the seat. **(11)**
 - 2 - Unhook the two ends from the backrest and remove. **(10)**
- ! When removing the armbar for cleaning, ensure that the armbar is securely reassembled when placing it back on the high chair. Refer to "Assemble ArmBar onto Seat."

Remove the Harness Restraint

WARNING When used as a high chair, the child must always wear the harness restraint correctly fitted and adjusted. The chair complies with the high chair European standard (EN14988:2017+A1:2020) only when the harness is fitted.

The harness can be removed for cleaning or when the chair is used for an older child.

Insert the Nuna key into each of the slots of the harness restraint at the back and underside of the seat to release the plastic clips. Pull on the belts to remove. **(15)**

Remove the Seat Cushion

- 1 - To remove the seat cushion, first remove the tray, the armbar and the harness restraint if necessary.
- 2 - When removing the seat cushion always remove the cushion retainer by inserting the Nuna key into the slot on the underside of the seat. **(19)**

EN

Remove the Footrest

- 1 - Slide down the lock behind the flap and lift the flap completely. The seat automatically rises up to the highest position. **(2)**
- 2 - Firmly flex one end of the footrest and unhook it from the flap. Unhook the other end and remove it. **(4)**
- 3 - Remember to lower the flap and listen for the click as the lock clicks back into position.

Dismantling the Seat from the Leg Frame

Once the seat is attached to the legs of the chair, it is considered to be a permanent assembly. However, it is possible to reverse this assembly if the seat needs to be put into storage or shipped. We recommend this should not be a regular occurrence.

- 1 - Slide down the lock behind the flap and lift the flap completely. The seat automatically rises up to the highest position. **(2)**
- 2 - Gently pull forward the two clips on each side, as illustrated. **(20)**
- 3 - Slide the seat up and remove from the legs. If the flap is not completely up, you will not be able to slide the seat upwards.

Cleaning and maintenance

You can clean the high chair and accessories with a damp cloth or a neutral detergent, but do not use abrasive detergents or solvents which could damage the material.

The anodised aluminium legs are maintenance free but will be damaged by impact or scratching.

Continued and extended exposure to sunlight can change the colour of many materials.

Inspect your high chair regularly in order to detect any damage.