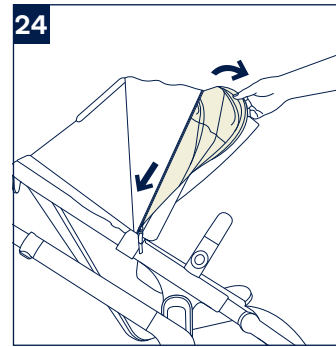
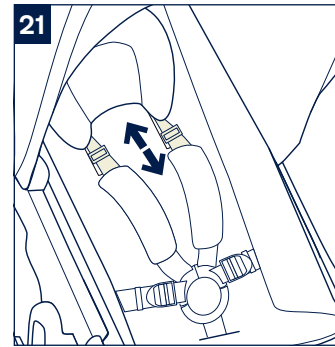
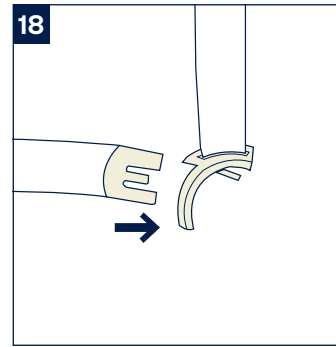
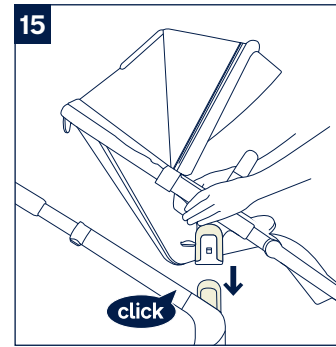
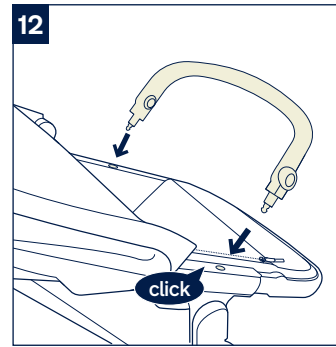
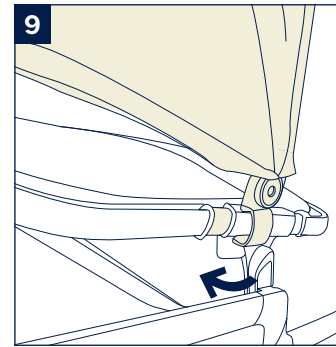
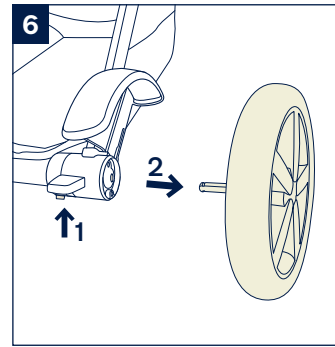
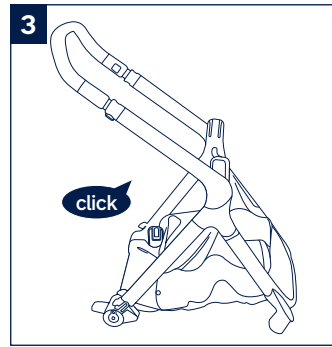
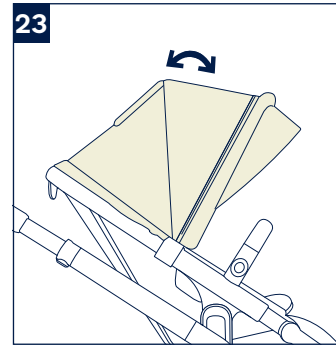
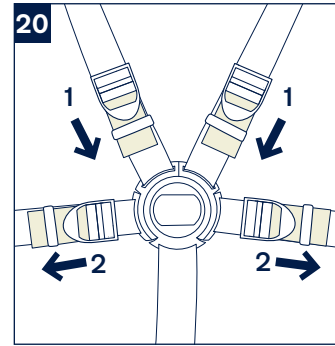
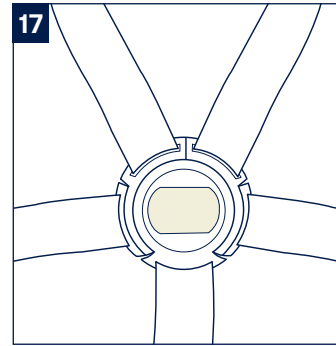
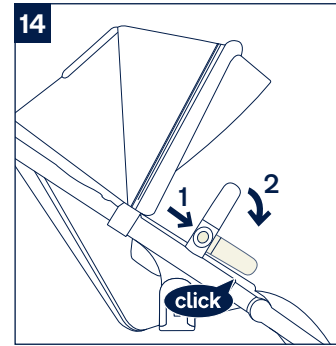
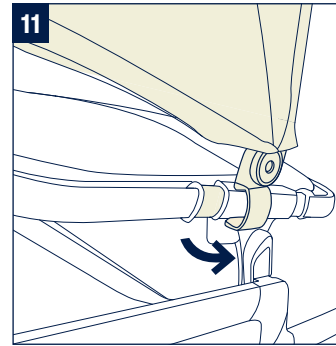
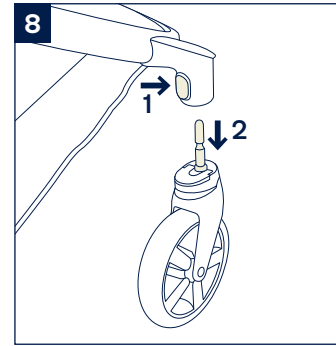
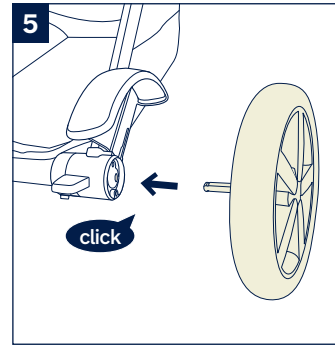
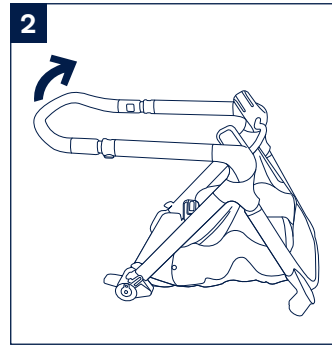
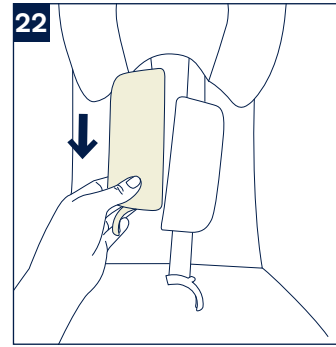
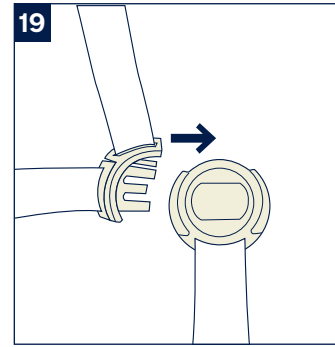
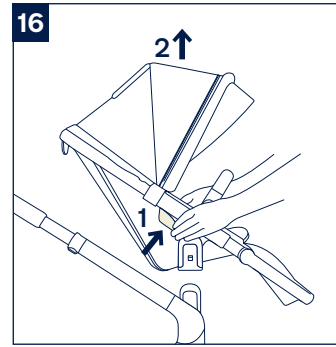
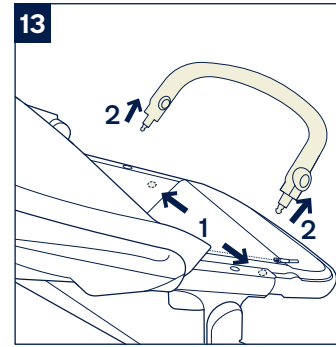
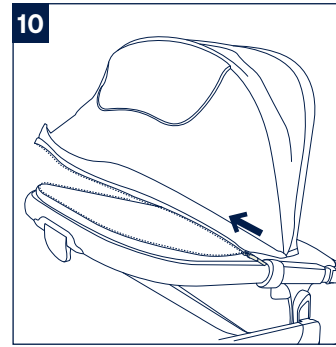
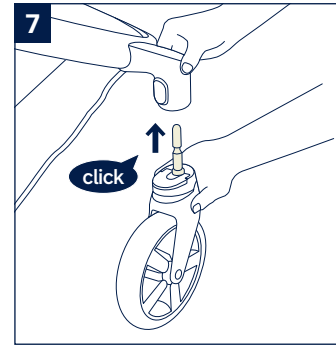
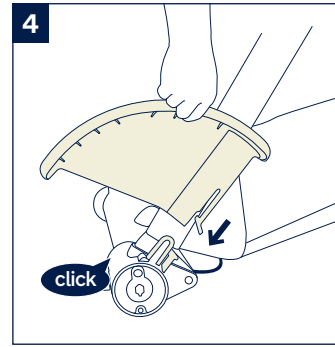
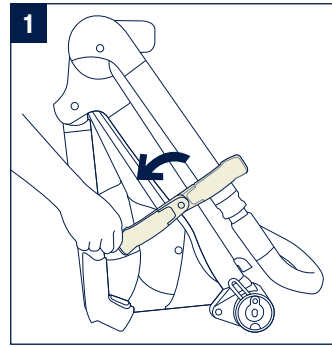
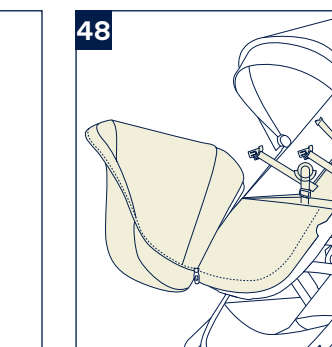
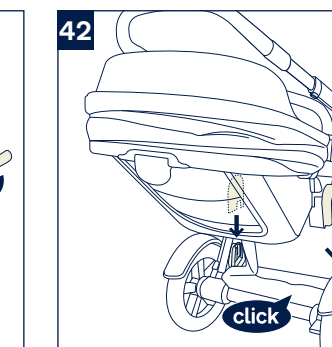
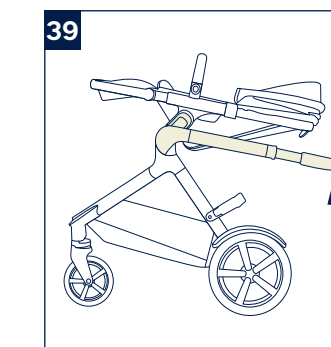
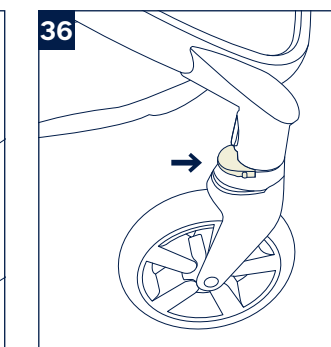
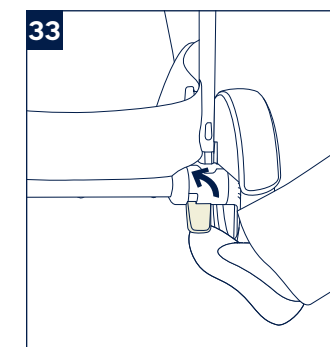
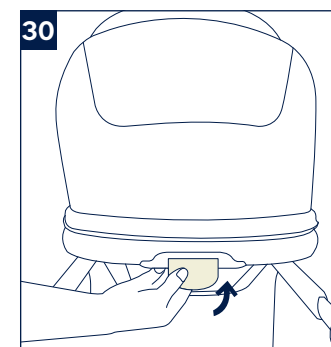
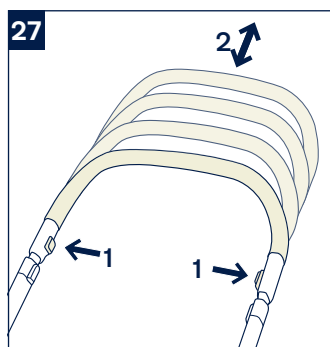
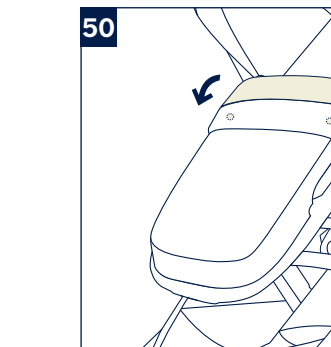
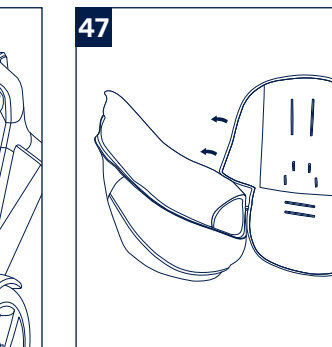
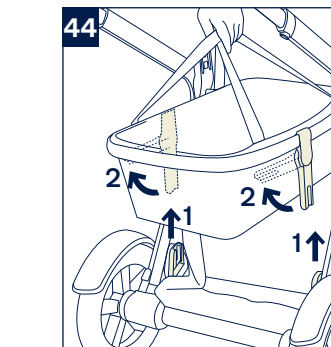
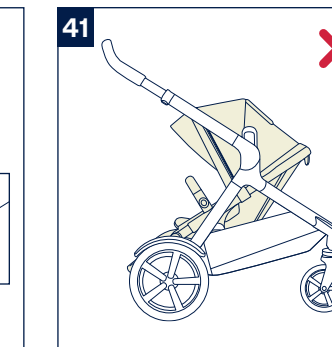
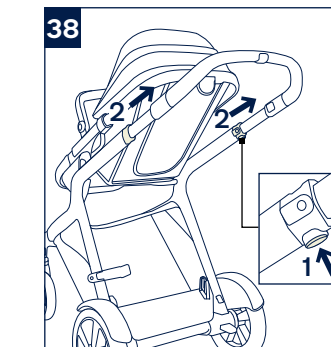
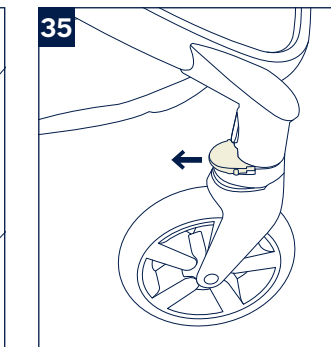
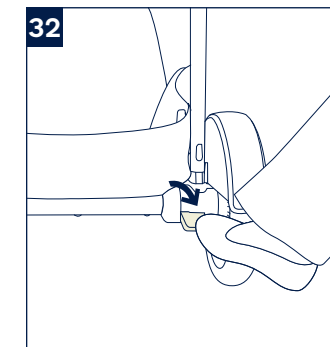
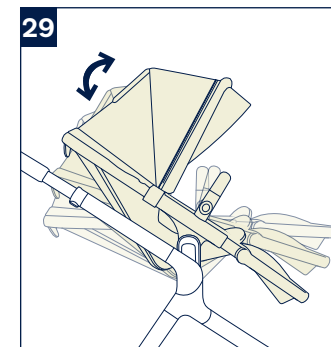
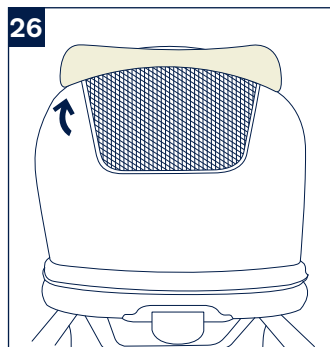
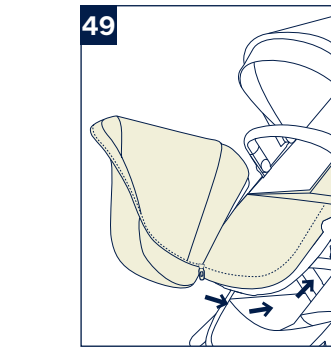
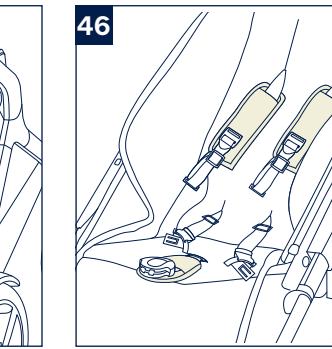
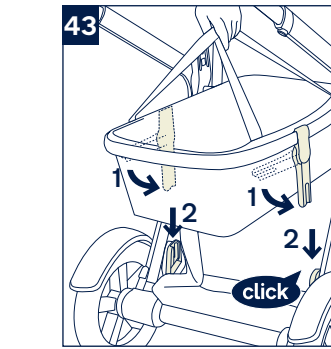
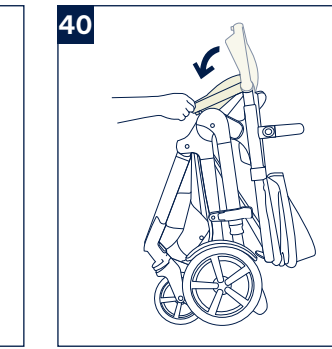
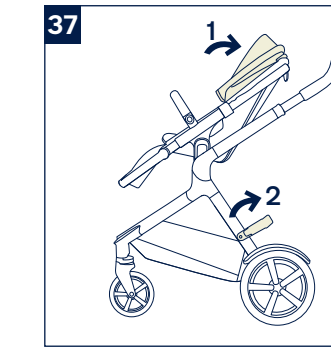
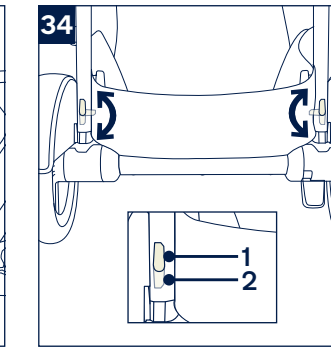
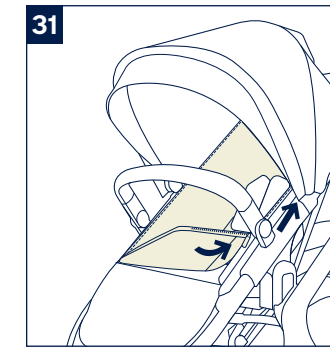
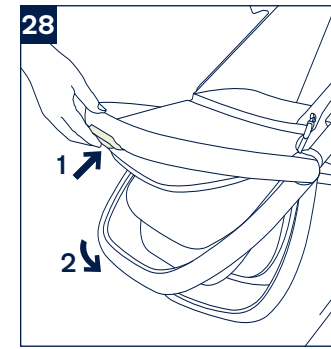
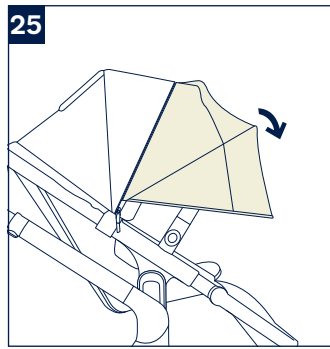


Designed  
around your life

nuna®





**IMPORTANT  
READ CAREFULLY AND  
KEEP FOR FUTURE  
REFERENCE.**

**Contents**

<b>Product Information</b>	
Warranty	2
Contact	
<b>Child Usage Requirements</b>	3
<b>Warnings</b>	4
<b>Parts List</b>	8
<b>Product Set Up</b>	10
<b>Product Use</b>	13
<b>Seating Options</b>	17
<b>Accessories</b>	18
DEMI grow Pushchair/Sibling Seat	
DEMI grow Pushchair Removable Basket	
DEMI grow Pushchair/Sibling Seat Rain Cover	
DEMI grow Pushchair/Sibling Seat Footmuff	
<b>Cleaning and Maintenance</b>	21
筒中	22

## Product Information

**Model Number:** \_\_\_\_\_

**Manufactured Date:** \_\_\_\_\_

### Warranty

We have purposely designed our high-quality products so that they can grow with both your child and your family. Because we stand by our product, our gear is covered by a custom warranty per product, starting from the day it was purchased. Please have the proof of purchase, model number and manufactured in date available when you contact us.

**For warranty information please visit:**

[www.nunababy.com](http://www.nunababy.com)

### Contact

For replacement parts, service, or additional warranty questions, please contact our customer service department.

[info@nunababy.com](mailto:info@nunababy.com)

[www.nunababy.com](http://www.nunababy.com)

**In the United Kingdom:**

[infouk@nunababy.com](mailto:infouk@nunababy.com)

[www.nunababy.com](http://www.nunababy.com)

**NUNA International B.V.**

Van der Valk Boumanweg 178 C

2352JD Leiderdorp

The Netherlands

## Child Usage Requirements

This pushchair/sibling seat is suitable for use with children who meet the following requirements:

**Child:** at least 6 months

**Weight:** up to 15 kg (33 lb) maximum

**Height:** 114.3 cm (45 in.)

It is not suitable for children under 6 months.

## **! WARNING**

**Failure to follow these warnings and instructions could result in serious injury or death.**

Always use the restraint system.

Check that the seat unit attachment devices are correctly engaged before use.

Do not let the child play with this product.

Ensure that all the locking devices are engaged before use.

Never leave the child unattended.

This product is not suitable for running or skating.

To avoid injury ensure that the child is kept away when unfolding and folding this product.

This seat unit is not suitable for children under 6 months.

Accessories which are not approved by the manufacturer shall not be used. Only replacement parts supplied or recommended by the manufacturer/distributor shall be used.

Adult assembly required.

**ALWAYS** set the parking brake when you stop.

Any damage caused by the use of accessories not supplied by Nuna will not be covered in terms of warranty.

Any load attached to the handle and/or on the back of the backrest and/or on the sides of the vehicle will affect the stability of the vehicle.

Be certain the stroller is fully erected and latched before allowing your child near the stroller.

**DO NOT** carry additional children, goods, accessories in or on the stroller except as permitted in this manual. They may cause the stroller to become unstable.

**DO NOT** leave the stroller exposed in the vicinity of a strong source of heat i.e. a radiator or open fire.

**DO NOT** place any item on the canopy.

**DO NOT** store the stroller in a damp place. Always allow the fabric to dry naturally away from direct heat.

**DO NOT** use storage basket as a child carrier.

**DO NOT** use the stroller if any parts are damaged or missing.

Each pushchair/sibling seat is intended for children at least 6 months and up to 15 kg (33 lb) maximum or a height of 114.3 cm (45 in.).

Keep small parts away from children as they pose a choking hazard.

Negotiate curbs and rough ground carefully. Repeated impact could cause damage to the stroller.

**NEVER** allow children to stand on the stroller.

**NEVER** use the stroller on stairs or escalators. You may suddenly lose control of the stroller or your child may fall out.

The harness must always be correctly fitted and adjusted. The harness is not a substitute for proper adult supervision.

The parking brake shall be engaged when placing and removing children.

Overloading, incorrect folding, and the use of accessories e.g., bag hooks, rain covers, buggy boards, etc... other than those approved by Nuna may damage or make the stroller unsafe.

Rubber tires may leave black scuff marks on smooth surfaces such as parquet, laminate and linoleum.

**STRANGULATION HAZARD** Do not place items with a string around your child's neck, suspend strings from this product, or attach strings to toys.

To avoid any danger of suffocation, remove all plastic covers before using this item and destroy or keep away from babies and children!

To prevent a hazardous, unstable condition, do not place more than 4.5 kg (10 lb) in the storage basket.

Use of the stroller with more than 34.5 kg (76 lb) will cause excessive wear and stress on the stroller.  
34.5 kg (76 lb) = 15 kg (33 lb) pushchair/sibling seat maximum + 15 kg (33 lb) pushchair/sibling seat maximum + 4.5 kg (10 lb) storage basket/removable basket maximum.

**NEVER** carry more than one child per seat.

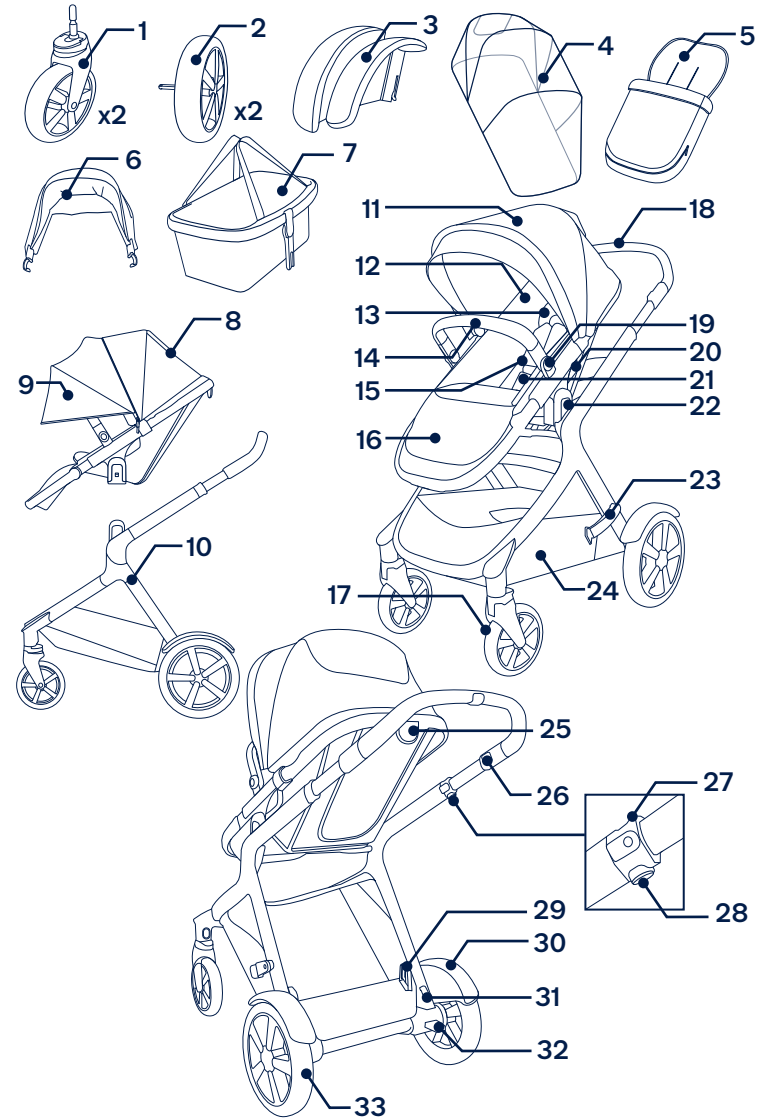
**NEVER** carry more than two child at a time in the stroller.

# Parts List

Make sure all parts are available before assembly. If any part is missing, please contact local retailer. No tools are required for assembly.

**! CHOKING HAZARD:** Remove and immediately discard protective end caps from each wheel and wheel hub axle.

- |    |                        |    |   |
|----|------------------------|----|---|
| 1  | Front Wheel (x2)       | 19 | Arm Bar Adjustment Button               |
| 2  | Rear Wheel (x2)        | 20 | Seat Release Button                     |
| 3  | Rear Fender            | 21 | Buckle and Crotch Cover                 |
| 4  | Rain Cover             | 22 | Upper Seat Mount                        |
| 5  | Footmuff               | 23 | Storage Latch                           |
| 6  | Canopy                 | 24 | Storage Basket                          |
| 7  | Removable Basket       | 25 | Recline Adjustment Button               |
| 8  | Pushchair/Sibling Seat | 26 | Handle Adjustment Button                |
| 9  | Dream Drape™           | 27 | Folding Button                          |
| 10 | Pushchair Frame        | 28 | Secondary Lock                          |
| 11 | Canopy                 | 29 | Lower Seat Mount                        |
| 12 | Seat Pad               | 30 | Rear Fender                             |
| 13 | Head Support           | 31 | Custom Dual Suspension Adjustment Lever |
| 14 | Arm Bar                | 32 | Brake Lever                             |
| 15 | Shoulder Harness Pads  | 33 | Rear Wheel                              |
| 16 | Calf Support           |    |   |
| 17 | Front Wheel            |    |   |
| 18 | Pushchair Handle       |    |   |



# Product Set Up

## Open Pushchair

- 1 - Separate the storage latch from the storage mount. (1)
- 2 - Then, rotate the pushchair handle up. (2)
- 3 - A “click” sound means the pushchair frame is open completely. (3)

Check the pushchair frame is completely latched open before continuing.

## Rear Fenders

Attach the rear fenders for twin and double modes.

- 1 - Insert the rear fender into the rear leg. A “click” sound means the fender is assembled completely. (4)

Check the fender is securely attached by pulling up.

Repeat on opposite side.

## Rear Wheels

- 1 - Insert the rear wheel into the rear leg. A “click” sound means the rear wheel is assembled completely. (5)

Check the wheel is securely attached by pulling out. Repeat on opposite side.

- 2 - To remove the rear wheel, press the release button (6)-1 and detach the rear wheel from the rear leg (6)-2.

## Front Wheels

- 1 - Insert the front wheel into the front leg. A “click” sound means the wheel is assembled completely. (7)

Check the wheel is securely attached by pulling out Repeat on opposite side.

- 2 - To remove the front wheel, press the release button (8)-1 and detach the front wheel from the front leg (8)-2.

## Canopy

- 1 - Clip the canopy mount onto the pushchair/sibling seat on each side. (9)

- 2 - Zip the canopy to the pushchair/sibling seat. (10)

- 3 - To remove the canopy, open the zippers, then remove the canopy mounts. (11)

## Arm Bar

- 1 - Align the arm bar ends with the arm bar mounts, and insert until it clicks into place. A “click” sound means the arm bar is assembled completely. (12)

- 2 - To remove the arm bar, press the arm bar release buttons (13)-1 located under seat pad, and remove the arm bar. (13)-2

- 3 - For a more compact fold, press the armbar adjustment buttons (14)-1 and rotate the armbar down (14)-2 until it clicks into place.

! Only use the down/stored position for folding. **NEVER** use this position with child in stroller.

## Pushchair/Sibling seat

The pushchair/sibling seat can be attached rear or forward facing.

- 1 - Align the sides of the pushchair/sibling seat with the seat mounts. Place the pushchair/sibling seat directly down until it clicks into place. A “click” sound means the pushchair/sibling seat is assembled completely. **(15)**
- 2 - To remove the pushchair/sibling seat, squeeze the seat release buttons **(16)-1** and lift the pushchair/sibling seat up **(16)-2**.

### Check Set Up

- Pushchair frame is latched open
- Rear fenders securely attached
- Rear wheels securely attached
- Front wheels securely attached
- Pushchair/sibling seat securely attached
- Canopy mount attached to pushchair frame and canopy zipped to seat pad

## Product Use

### Securing Your Child

- 1 - Push the center button on the buckle to release the buckle latch, remove the clips and place your child in the pushchair. **(17)**
- 2 - Connect the shoulder buckle and hip buckle. **(18)**
- 3 - Secure the shoulder buckle and hip buckle to the buckle latch and repeat on the opposite side. **(19)**
- 4 - Fit the harness snugly to your child by pulling the adjustment straps to tighten **(20)-1**. Then pull the waist adjustment straps out. **(20)-2**

### Shoulder Harness Position

- 1 - The upper shoulder harness buckles can be moved up and down for added adjustment. **(21)**
- ! To avoid serious injury from falling or sliding out, always secure your child with the harness.

Make sure the harness is adjusted properly and your child is snugly secured. The space between the child and the shoulder harness should be about the thickness of one finger.

**DO NOT** cross the shoulder belts. This will cause pressure on your child’s neck.

### Shoulder Harness Pad Removal

To remove the shoulder harness pads, release the buckle.

- 1 - Slide the shoulder harness pad down off the shoulder buckle harness strap. **(22)**

To reattach the shoulder harness pad, undo the snaps and insert the shoulder harness buckle through the inside loop.



## Canopy

- 1** - To open the canopy, pull the canopy toward the front of the seat, and to fold, push it back. **(23)**
- 2** - Open the zipper on the canopy to use the dream drape™. **(24)**
- 3** - Pull down the dream drape™ for extra shade. **(25)**
- 4** - For added ventilation, flip the canopy window cover up. **(26)**

## Handle

The handle has 4 positions.

- 1** - To adjust the height of the handle, press the handle adjustment button **(27)-1** and pull the handle up or down **(27)-2**.

## Calf Support

The calf support has 2 use positions.

- 1** - To raise the calf support, lift up. To lower the calf support, press the adjustment button in the middle of the calf support **(28)-1**, and push down **(28)-2**.

## Recline

- 1** - There are 3 recline positions for the backrest. **(29)**
- 2** - To raise or lower the backrest, squeeze the recline adjustment button, and pull the seat up or down. **(30)**

## Seat Pad

Use the winter seat pad in cold weather to provide a comfortable seating area. The winter seat pad can be removed to provide a mesh seating area for better ventilation during hot weather.

- 1** - To remove the seat pad, unbuckle the harness, open the zipper around the seat pad and route the harness through the seat pad slots. **(31)**

**!** **DO NOT** remove the backrest tube.

## Brake

- 1** - To lock the rear wheels, step down on the brake lever. **(32)**
- 2** - To unlock the rear wheels, lift up on the brake lever. **(33)**

**!** Always apply the brake when the pushchair is stopped. Push the pushchair slightly to ensure the brake is engaged.

## Custom Dual Suspension™

The pushchair has two suspension modes. Make sure there is no weight placed on the pushchair when you are adjusting the rear suspension and that both levers are in the same position.

- 1** - Flip the adjustment lever up **(34)-1** when on rough terrain for a softer suspension and flip the adjustment levers down **(34)-2** when on smooth surfaces for a stiffer suspension.

When using as a double or twin, it is recommended to flip the adjustment levers down.

## Front Swivel Locks

It is recommended to use the front swivel locks on uneven surfaces.

- 1 - Pull the front swivel lock out to lock front wheel forward facing. **(35)**
- 2 - Push the front swivel lock in to unlock. **(36)**

## Fold

Before folding the pushchair, adjust the handle to the 2nd or 3rd highest position and make sure the front swivel locks are unlocked.

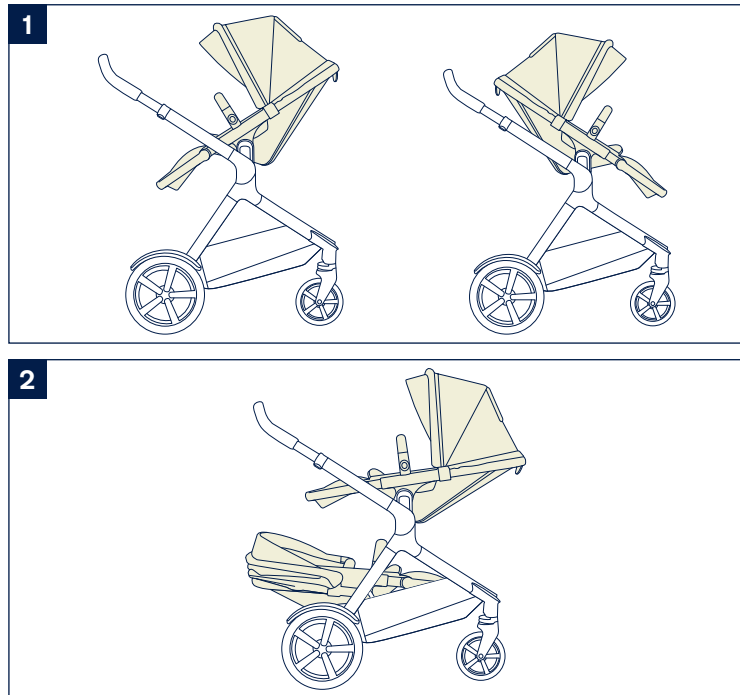
The pushchair can be folded with the pushchair/sibling seat facing forward or without the pushchair/sibling seat.

If folding with the seat, place the seat in the most reclined position for a more compact fold.

- 1 - Fold the canopy **(37)-1**, and rotate the storage latch out **(37)-2**.
- 2 - Press the secondary lock and pull folding buttons on the both sides of handle backwards. **(38)**
- 3 - Rotate the handle down and make sure the storage latch is closed on the pushchair frame. **(39)**
- 4 - Fold the calf support down for a more compact fold. **(40)**

## Seating Options

The DEMI grow pushchair frame can be used with the DEMI grow stroller/sibling seat in the following combinations. Single **(1)**, twin **(2)**



## EN Seating Option Use

When using the pushchair frame with the pushchair/sibling seat, fold the canopy when the pushchair/sibling seat is assembled on the lower mount.

! Not all accessories are included on some models and not all modes are allowed.

**DO NOT** use the pushchair/sibling seat (41) rear facing on the lower mount.

## Accessories

! Not all accessories are included on some models.

### DEMI grow Pushchair/Sibling Seat

When installing the pushchair/sibling seat in the lower mount, fold the canopy, adjust the calf support to its highest position, and fold the pushchair basket rear panel forward.

**1** - To attach pushchair/sibling seat, align the sides of the pushchair/sibling seat with the seat mounts. (42)

Place the pushchair/sibling seat directly down until it clicks into place. A “click” sound means the pushchair/sibling seat is attached. (42)

! Remove the pushchair/sibling seat from the lower mount before folding the pushchair.

### DEMI grow Pushchair Removable Basket

Before assembling the removable basket, please fold the basket rear panel forwards.

**1** - Rotate the supports on the both sides of removable basket downwards, and insert it into the mounts. (43)

! Please pay attention to the direction for removable basket while assembling, a click sound means the removable basket is assembled correctly. (43)

**2** - Raise it up to remove the removable basket. (44)

### DEMI grow Pushchair/Sibling Seat Rain Cover

Only use the pushchair rain cover on the pushchair/sibling seat in the upper mount. (45)

**1** - To assemble the rain cover, place it over the pushchair/sibling seat.

! **ALWAYS** check ventilation, when the rain cover is on the product.

**ALWAYS** check that the rain cover has been cleaned and dried before folding.

**DO NOT** fold the pushchair assembled with the rain cover.

**DO NOT** place your child into the pushchair assembled with rain cover during hot weather.

## DEMI grow Pushchair/Sibling Seat Footmuff

- 1 - For easier assembly of the footmuff, remove the arm bar, unbuckle the harness and remove the shoulder harness pads, crotch pads and head support. **(46)**
- 2 - Before placing the footmuff on the pushchair/sibling seat, unzip and open the front cover of the footmuff. **(47)**
- 3 - Place the footmuff on the pushchair/sibling seat and pull the shoulder harness webbing and buckles through the slots on the footmuff. **(48)** Reassemble the shoulder harness pads, crotch pads and head support and attach the arm bar.
- 4 - Zip on the front cover of the footmuff. **(49)**
- 5 - Fold the footmuff flap over the pushchair arm bar. **(50)**

## Cleaning and Maintenance

Clean the frame, plastic parts, and fabric with a damp cloth, but do not use abrasives or bleach. Do not use silicon lubricants as they will attract dirt and grime. Do not store your pushchair in a damp place.

Clean the pushchair wheels regularly with water and remove any dirt.

To ensure long-lasting use, wipe this product off with a soft, absorbent cloth after using it in rainy weather.

Refer to the care labels attached to the soft goods for washing and drying instructions.

It is normal for fabric to color from sunlight and to show wear and tear after a long period of use, even when used normally.

For reasons of safety, only use original Nuna parts.

Check regularly if everything functions properly. If any parts are torn, broken, or missing, stop using this product.

## 请妥善保存本说明书 以备不时之需!

使用产品前请仔细阅读说明书，并妥善保存说明书以便日后参考。如果不按照本说明书可能会影响乘坐宝宝的安全。

## 目录

产品资讯	24
保修条件	
联络我们	
适用年龄	25
警告	26
产品组件及各部位名称	30
安装手推车	32
产品使用	35
模式选择	38
位置选择	39
使用配件	39
DEMI grow座椅	
DEMI grow移动式置物篮	
DEMI grow座椅雨篷	
DEMI grow座椅睡袋	
维护与保养	41

# 产品资讯

产品名称: \_\_\_\_\_

生产日期: \_\_\_\_\_

指南

## 保修条件

保修始于产品购买日。我们提供维修服务，但不提供产品退换，即使某些零件曾经过维修，也不会因此延长保修期限。Nuna有权利针对产品改善设计，是此先前制造的产品则无更换之义务。

相关保修资讯，详见官网：  
[www.nunababy.com/cn/warranty](http://www.nunababy.com/cn/warranty)

## 连络我们

我们期望不断改进并开发新的产品，请随时告知您对Nuna产品的意见和建议。

[www.nunababy.com/cn](http://www.nunababy.com/cn)

品名:	DEMI grow手推车、 DEMI grow专属座椅
型号:	ST08103ASPCH/ST08103FRITCH、 AC08103ASPCH/AC08103FRITCH
主要材质:	塑胶、铝合金/五金、布
执行标准:	GB 14748-2006《儿童推车安全要求》

## 适用年龄

宝宝需要满足下列要求:

年龄: 6-36个月

重量: 体重不超过15kg

本产品不适用6个月以下的儿童。

指南

# 警告

Nuna DEMI grow 手推车拥有专利并符合国家标准 GB 14748-2006《儿童推车安全要求》和欧洲安全标准 EN 1888-1:2018+A1:2022 相关规范。

重要: 请务必依照产品说明书和警告以避免导致严重伤害甚至是死亡事件发生。

- ! 婴幼儿的安全是你的责任。
- ! 当儿童乘坐时, 看护人不要离开。
- ! 本产品不适用于六个月大以下的孩童。
- ! 本产品须由成人进行组装。
- ! 对于单个座椅使用时, 仅可乘坐一位婴幼儿。
- ! 当同时乘坐二位婴幼儿时, 必须坐于指定的位置。
- ! 请勿放置任何物品在车手、背靠后面或车台侧面, 以免影响手推车的稳定性。
- ! 超重、不正确收合或使用非Nuna原厂的配件可能导致车台损坏与不安全。
- ! 禁止使用非生产商提供的附件, 请使用Nuna原厂零配件。
- ! Nuna不保修使用其它厂商提供的零配件所造成的损害。

- ! 婴幼儿乘坐时, 安全带或束缚系统必须正确的扣合及使用。
- ! 欲调整手推车时, 务必先确定已将婴幼儿移开, 否则可能造成婴幼儿受伤。
- ! 禁止在上下楼梯/手扶梯时使用手推车。
- ! 使用时请远离火源、高温、水池或电源之附近范围。
- ! 不可让婴幼儿站立或倒坐于手推车上。
- ! 不得将手推车放置在马路、坡道等危险场所。
- ! 婴幼儿乘坐于手推车内时, 不可将整个手推车往上提。
- ! 当调整手推车上任何可活动配件时, 必须确定宝宝与手推车保持安全距离。
- ! 保持婴幼儿远离遮阳篷和雨篷以免造成窒息。
- ! 请扣好安全带, 以免婴幼儿滑入腿部开口而造成窒息。
- ! 停泊此手推车时务必确实使用所有之刹车装置。
- ! 使用前确保所有锁定装置都已处于锁定状态。
- ! 本产品适用6个月及以上的婴幼儿及体重不超过15kg(6-36个月)的儿童使用。

- ! 本手推车不适用于跑步和滑冰，只适合以步行速度使用。
- ! 使用本产品前，请取掉PE袋和包装材料并销毁，并放到婴儿和儿童触摸不到的地方。
- ! 婴幼儿接近手推车前，请确认手推车已完全打开或收合。
- ! 请勿在遮阳篷上放置任何物品。
- ! 请勿放置大于4.5kg(10磅)的物件于置物篮/移动式置物篮内，以免导致手推车不稳定而产生危险。
- ! 推车承重超过34.5kg会造成推车负担过重而导致手推车不稳定发生危险。34.5kg = 15kg手推车座椅(最重) + 15kg 手推车座椅(最重) + 4.5kg 置物篮/移动式置物篮(最重)。
- ! 行经护栏与粗糙路面时务必小心。重复撞击力可能对手推车造成坏损。
- ! 本手推车轮胎行经光滑表面(如拼花地板、薄地板和油布地毯)时，可能会留下黑色胎痕。
- ! 请将手推车放置于阴凉干燥处，让手推车座布自然风干。
- ! 请将细小物品放置远离婴幼儿以避免造成窒息。
- ! 如果有任何零件损坏，磨破或丢失，请停止使用该产品。

- ! 使用前应确实竖立及固定各机构以确保安全。
- ! 请勿允许您的婴幼儿将手推车当玩具玩耍。
- ! 遇紧急事故时，迅速将乘坐的儿童移离现场。
- ! 当放入和抱出婴幼儿时，应锁定刹车装置。
- ! 不得同时乘坐三位及以上的婴幼儿。



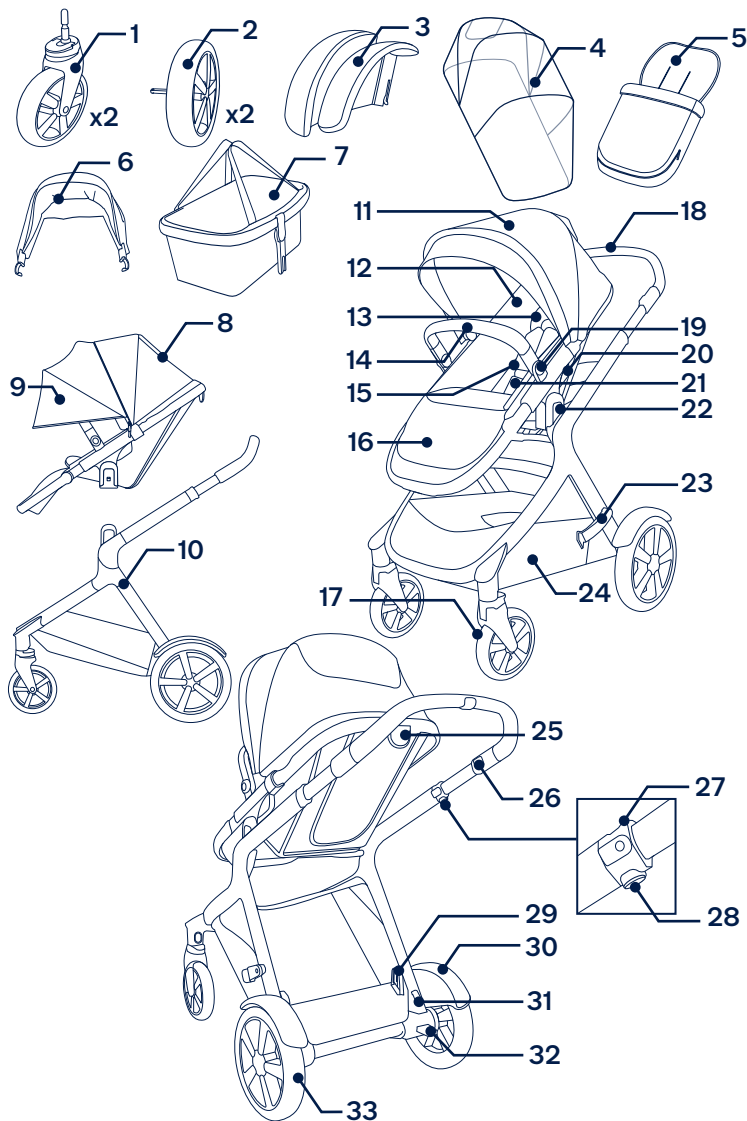
# 产品组件及各部位名称

组装前请确认所有部件已经齐全，如有遗漏，请与零售商联系。本产品无需工具进行组装。

！ 窒息危险: 务必去掉、丢弃每个车轮或轮轴的保护套。

！ 因产品型号的不同并非所有手推车均附以下配件。

- |                |            |
|----------------|------------|
| 1 前轮 (2个)      | 18 车手      |
| 2 后轮 (2个)      | 19 扶手调整按钮  |
| 3 挡泥板          | 20 座椅释锁按钮  |
| 4 雨篷           | 21 扣具和胯带护片 |
| 5 睡袋           | 22 上座椅固定座  |
| 6 遮阳篷          | 23 收合钩     |
| 7 移动式置物篮       | 24 置物篮     |
| 8 手推车座椅        | 25 背靠调整按钮  |
| 9 Dream Drape™ | 26 车手调整按钮  |
| 10 车架          | 27 收合按钮    |
| 11 遮阳篷         | 28 第二道安全锁  |
| 12 座垫          | 29 下座椅固定座  |
| 13 头靠          | 30 挡泥板     |
| 14 扶手          | 31 避震调整按钮  |
| 15 肩带护片        | 32 刹车踏板    |
| 16 小腿靠         | 33 后轮      |
| 17 前轮          |            |



# 安装手推车

## 打开手推车

- 1- 推开收合钩 (1)
- 2- 将车手向上方拉起 (2)
- 3- 听到“咔哒”声表示手推车已打开到位 (3) 安装前，请先检查确认手推车已完全打开。

## 挡泥板

当使用双人模式时须装上挡泥板。

- 1- 将挡泥板固定在后轮组，听到“咔哒”声表示挡泥板已安装到位 (4)  
检查挡泥板是否已正确固定。  
另一边重复上述操作。

## 后轮

- 1- 将后轮套入后脚，听到“咔哒”声表示后轮已安装到位 (5)  
检查轮子是否已正确固定。  
另一边重复上述操作。
- 2- 按压后轮释锁按钮 (6)-1，同时向外拉 (6)-2，即可拔出后轮。

## 前轮

- 1- 将前轮套入前脚，听到“咔哒”声表示前轮已安装到位 (7)  
检查轮子是否已正确固定。  
另一边重复上述操作。
- 2- 按压前轮释锁按钮 (8)-1，同时向下拉 (8)-2，即可拔出前轮。

## 遮阳篷

- 1- 将两个遮阳篷卡座分别安装到座椅固定座上 (9)
- 2- 拉好拉链 (10)
- 3- 打开拉链，然后将遮阳篷卡座取下，即可拆卸遮阳篷 (11)

## 扶手

- 1- 将扶手卡座对准扶手卡槽插入，听到“咔哒”声表示扶手已安装到位 (12)
- 2- 按压座垫两侧下方的释锁按钮 (13)-1，同时向外拉即可拆卸扶手 (13)-2
- 3- 为了让收合体积更小，按压扶手两侧调整按钮 (14)-1 可将扶手往下旋转 (14)-2 听到“咔哒”表示已调整完成。  
**!** 只能于收合时将扶手调整至此段位。请勿于推车内有孩童时使用此扶手段位。

## 手推车座椅

手推车座椅可以前向&后向安装。

- 1- 将手推车座椅向下安装在座椅固定座上，听到“咔哒”声表示座椅已安装到位 (15)
- 2- 按压座椅释锁按钮 (16)-1，同时向上抬起 (16)-2，即可移除座椅。

### 检查项目

- 车架是否已正确锁定
- 挡泥板是否已正确安装
- 后轮是否已正确安装
- 前轮是否已正确安装
- 座椅是否已正确安装
- 遮阳篷卡座是否已正确安装和遮阳篷拉链与座垫是否已正确固定

## 产品使用

### 宝宝乘坐

- 1- 按压安全扣中间按钮，松开安全扣并将宝宝放入座椅内 (17)
- 2- 将腰带扣插入肩带扣内 (18)
- 3- 将腰带扣和肩带扣插入母扣内，另一边重复上述操作 (19)
- 4- 通过向下滑动调整织带使安全带与宝宝紧贴 (20)-1，然后向外拉腰带调整带 (20)-2

### 肩带位置

- 1- 移动肩带上端，即可上下调整肩带位置 (21)

！ 为了防止宝宝跌落，宝宝乘坐时必须系上安全带。

请牢牢地系上安全带，并注意宝宝与安全带之间须可以放进一个手掌的厚度。

请勿交叉使用肩带，以免对宝宝颈部造成压迫。

### 移除肩带护片

按压安全扣中间按钮，打开安全扣。

- 1- 沿着肩带可将肩带护片取下 (22)

按压安全扣中间按钮，打开安全扣。重新安装肩带护片并将安全扣扣合。

## 遮阳篷

- 1- 将遮阳篷向前推，即可打开遮阳篷。向后拉即可收合遮阳篷 (23)
- 2- 拉开遮阳篷拉链拉出全罩式遮阳篷 (24)
- 3- 打开全罩式遮阳篷，方便宝宝休息 (25)
- 4- 方便通风，可以打开天窗 (26)

## 车手

为方便推行，车手有4种段位可供调节。

- 1- 按压车手两侧的调整按钮 (27)-1，同时向前或向后移动车手至适合段位 (27)-2

## 小腿靠

依不同使用需求，小腿靠共有2个段位可供调节。

- 1- 段位调高时，将小腿靠支撑板由下往上推即可。
- 2- 段位调低时，按压小腿靠中间的调整按钮 (28)-1，同时向下调节小腿靠支撑板 (28)-2

## 背靠

- 1- 背靠可3段式角度调节 (29)
- 2- 调高或调低背靠角度时，拉起背靠调整按钮，将背靠向上或向下推即可 (30)

## 座垫

当天气转凉时，使用座垫更保暖舒适。当天气炎热时，可拆卸座垫直接使用透气通风的网孔座椅。

- 1- 按压安全扣中间按钮，打开安全扣。拉开座垫外围拉链并将扣具穿过座垫即可取掉座垫 (31)

！ 请勿拆卸背靠管。

## 刹车踏板

- 1- 准备刹车时，踩下刹车踏板后方，即可完成刹车动作 (32)
- 2- 打开刹车时，向上抬起刹车踏板，即可完成释锁动作 (33)  
！ 手推车停止前进时，请锁定刹车踏板。轻推手推车保证刹车踏板已完全锁定。

## 避震系统

避震系统 (34)-1 往上调软，适用于粗糙的路面。(34)-2 往下调硬，适用于平滑的路面。当使用双人模式时，建议可将避震调硬。

## 前轮定向

当在碎石路面或不平路面推行时，建议锁定前轮，便能更轻松地操控手推车。

- 1- 按压定向拉板两侧，然后向后拉即可固定前轮前行方向 (35)
- 2- 按压定向拉板两侧，然后向前推即可释锁前轮转动方向 (36)

## 收合手推车

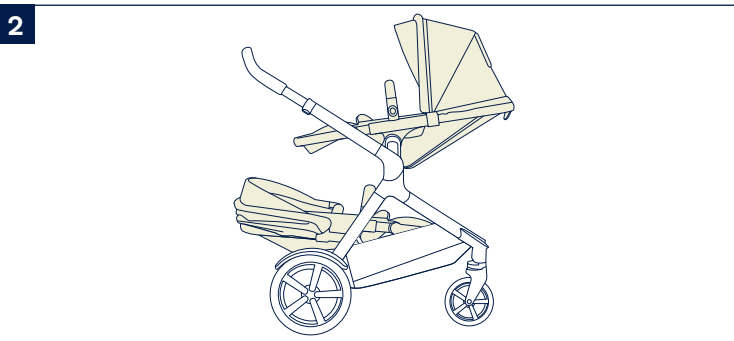
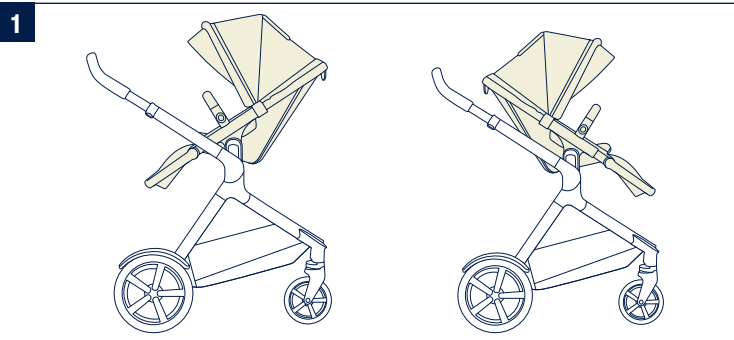
收合手推车前，请将车手调整到第2段或第3段，方便收合后站立。

车架可以与前向座椅或没有座椅时收合。如果与上座椅收合时需将背靠调整至最斜躺位置。

- 1- 收拢遮阳篷 (37)-1，将收合钩向外旋转 (37)-2
- 2- 按压第二道安全锁并同时向后拉车手两侧收合按钮 (38)
- 3- 将车手向下旋转并扣合收合钩 (39)
- 4- 向下收合小腿靠，收合尺寸更小方便储存 (40)

# 模式选择

本手推车车架与DEMI grow座椅组合使用，模式如下供参考：



# 位置选择

本手推车车架与手推车座椅组合时，当手推车座椅安装在下座时，请将遮阳篷收合。

！ 因产品型号的不同，规格会有所不同。并非所有的模式都可行。

当手推车座椅 (41) 安装在下座时，请勿后向使用。

# 使用配件

！ 因产品型号的不同，并非所有手推车均附以下配件。

## DEMI grow座椅

当配合DEMI grow座椅使用时，收拢座椅遮阳篷，将座椅小腿靠调整至最高档位和置物篮后片向前收合。

1 - 将手推车座椅向下安装在座椅固定座上，听到“咔哒”声表示座椅已安装到位 (42)

！ 收合手推车前，请先移除下座椅。

## DEMI grow 移动式置物篮

安装移动式置物篮前，请将置物篮后片向前收合。

1- 将移动式置物篮两侧的支撑座向下旋转，插入固定座 (43)

！ 移动式置物篮安装时前后有方向性，听到“咔哒”声表示安装正确。

2- 向上抬起，可移除移动式置物篮 (44)

## DEMI grow 座椅雨篷

雨篷只可以安装在上座椅 (45)

1- 将雨篷套到座椅上。

！ 使用雨篷时，请随时注意并确认雨篷内有良好的通风。

不使用雨篷时，请先确认雨篷已清洁并干燥，再收纳。

请勿收合已罩上雨篷的手推车。

天气炎热时，请勿将儿童放在装有雨篷的手推车内。

## DEMI grow 座椅睡袋

1- 安装睡袋前，请移除扶手。打开扣具，移除肩带护片，移除胯带护片和头靠 (46)

2- 拉开拉链打开睡袋 (47)

3- 将睡袋铺到座垫上，将肩带、腰带和胯带分别从睡袋的对应穿孔穿出 (48) 重新安装肩带护片，胯带护片，头靠和扶手。

4- 将宝宝放入睡袋并扣好安全扣，再将拉链重新拉上 (49)

5- 反折睡袋上盖将扶手复盖 (50)

## 维护与保养

可用湿布清洁车架和座布，请勿使用研磨剂或漂白剂。请勿使用润滑剂，因为它们会吸附灰尘和污垢。请勿将手推车储存在潮湿的地方。

请定期以水清洗轮子，并清除污垢。

为使手推车能长期使用，下雨天使用后，请用软质可吸水的布擦拭手推车。

请参考手推车上洗涤标版内容的洗涤方式。

长期使用之后，在正常状况下，座布可能产生褪色、磨损或撕裂。

为确保安全，请使用Nuna原厂零配件。

请定期检查您的手推车功能是否正常与零件是否松弛磨损或脱落。一旦发生以上任何状况，请立即停止使用本手推车。