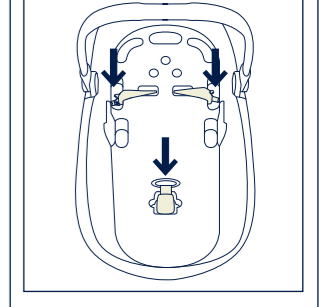
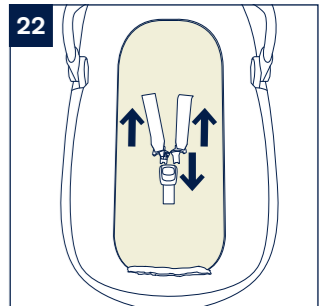
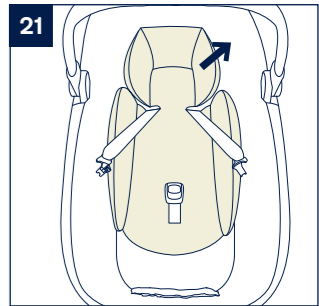
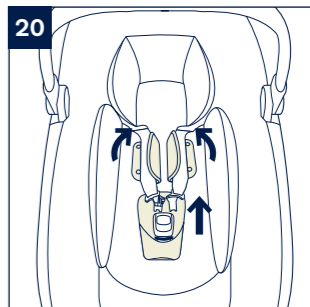
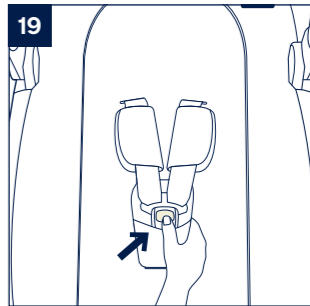
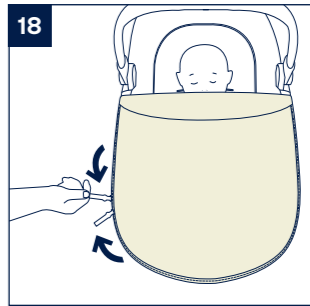
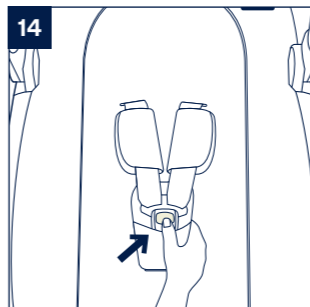
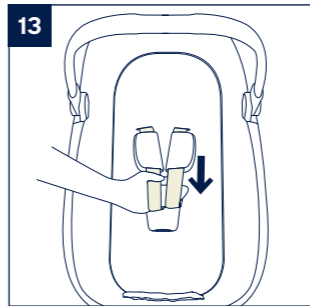
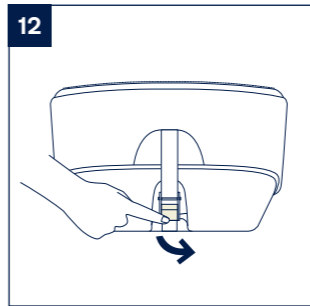
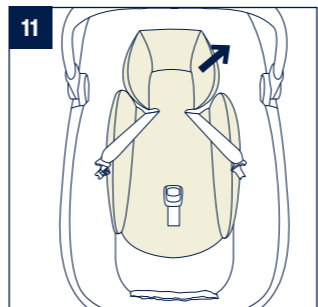
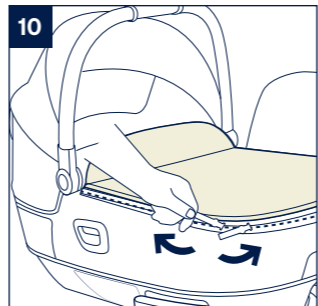
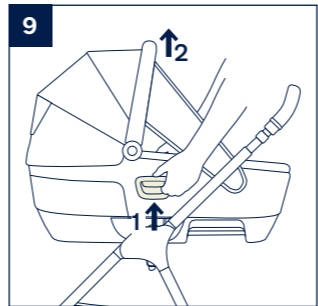
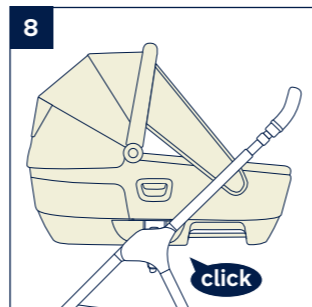
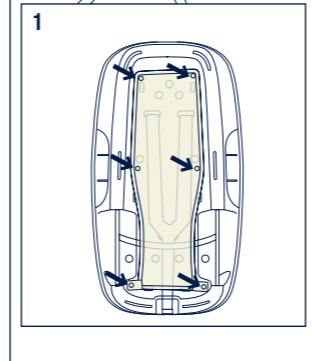
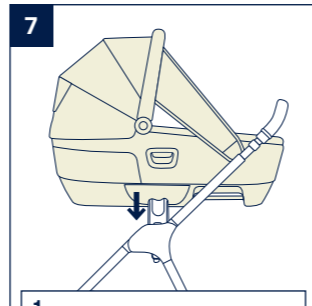
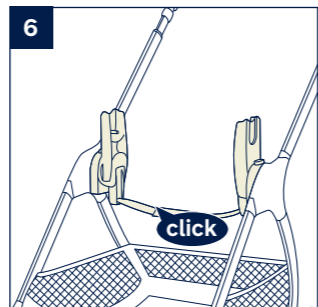
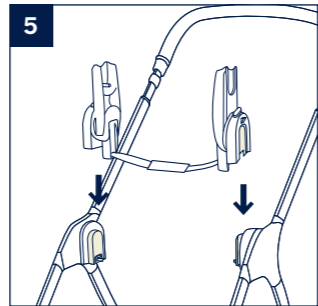
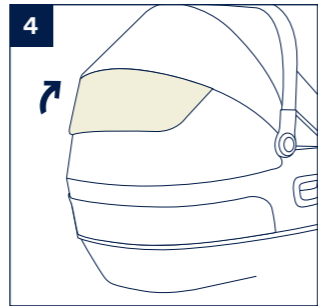
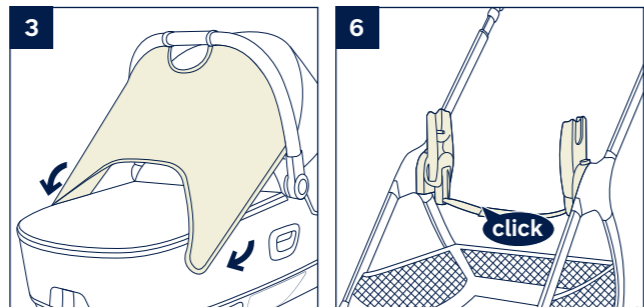
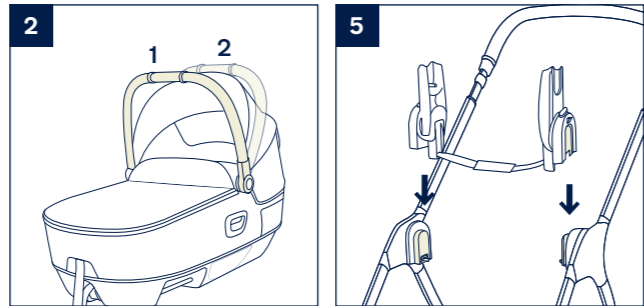
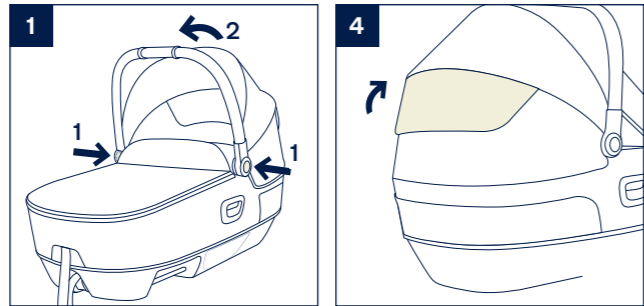
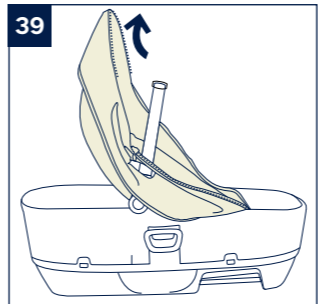
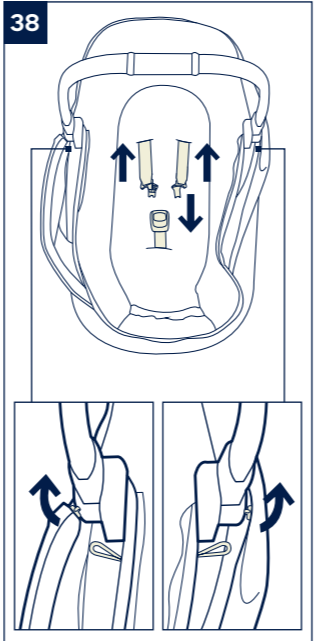
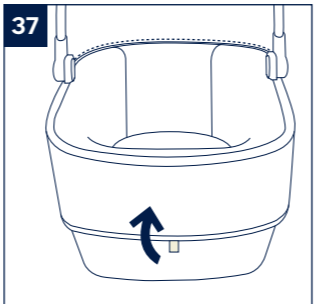
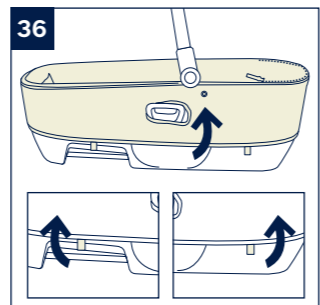
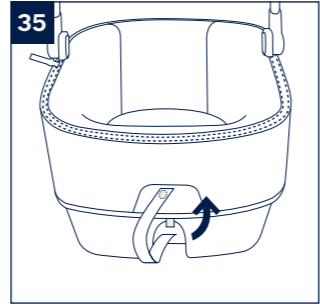
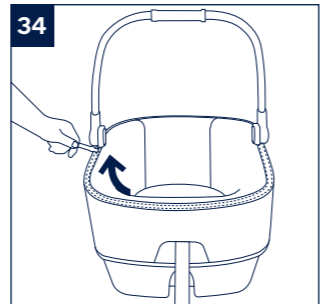
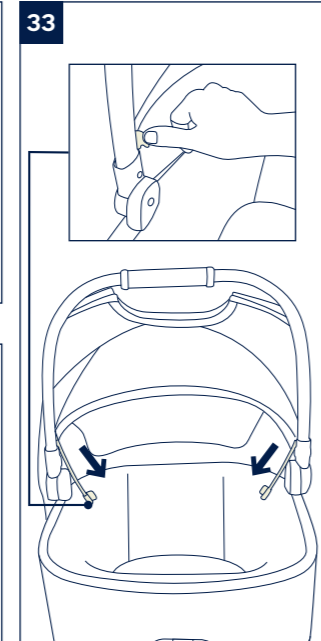
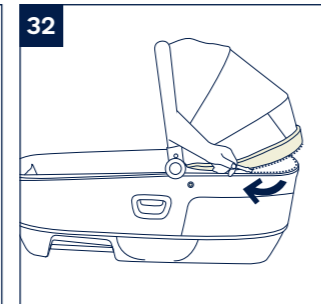
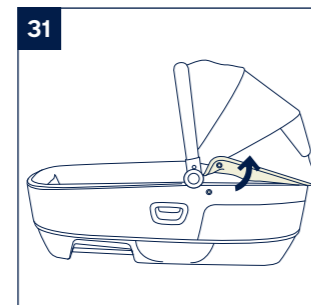
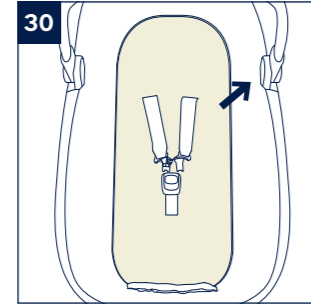
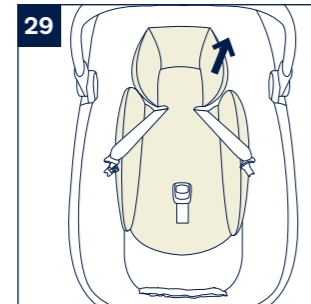
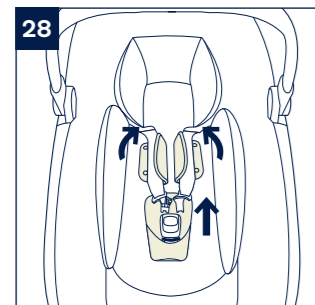
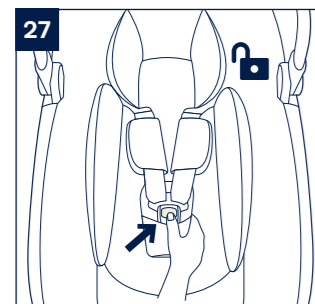
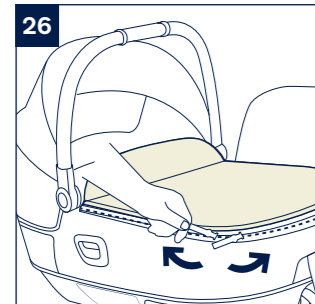
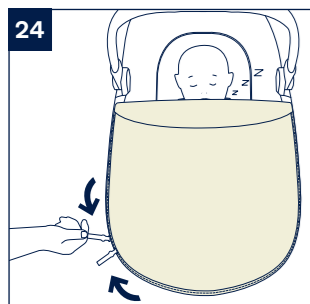
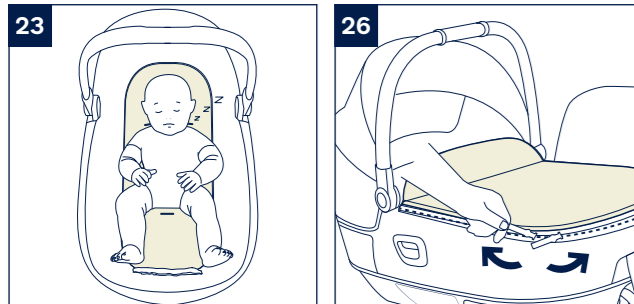


**重要！保留以備參照，  
請詳細閱讀**  
使用產品前請仔細閱讀本說明書，  
並妥善保存說明書以便日後參考。





*Designed  
around your life*



**目錄**

產品資訊	3
保固與售後服務	
保固條件	
手提嬰兒床適用範圍	4
兒童使用要求	5
警告	6
產品組件及各部件名稱	7
產品使用	8
維修與保固	9
 English	 11

## 產品資訊

產品名稱：\_\_\_\_\_

生產日期：\_\_\_\_\_

### 保固與售後服務

產品於保固期間內發生問題，請與零售商聯絡；若零售商無法提供服務，他們會聯絡當地的Nuna經銷商。產品在正常使用和老化中產生的自然磨損與劣化，並不在保固範圍內。請留意產品下方的產品型號與生產日期序號。當有保固需求時，請提供以上產品資訊。

請至[www.nunababy.com/tw/gear-registration](http://www.nunababy.com/tw/gear-registration)網站登記您購買的產品。

### 保固條件

保固始於產品購買日。我們提供維修服務，但不提供產品退換。保固期限不會因零件更換或維修而延長。Nuna有權利針對產品進行改善設計，此前製造的產品則無更換之義務。

相關保固資訊，詳見官網：[www.nunababy.com/tw/warranty](http://www.nunababy.com/tw/warranty)

品名	汽車用兒童保護裝置
型號	CARI aire，CS159
主要材質	塑膠、五金、布
原產地	中國

## 手提嬰兒床適用範圍

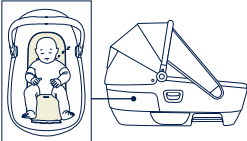
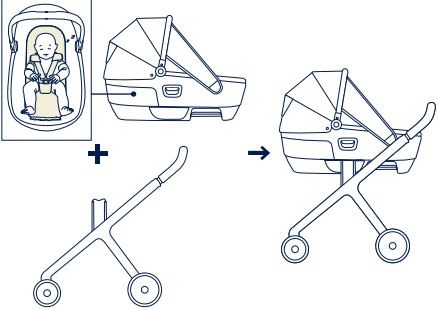
寶寶需要滿足下列要求：

最大體重：9公斤

嬰幼兒年齡：0-6個月

## 兒童使用要求

您的孩子必須完全符合以下要求，才可以使用本產品：

圖示說明	適用範圍
	9公斤(約6個月) 以下的寶寶
	9公斤(約6個月) 以下的寶寶 CNS 12940-2013

## 警告

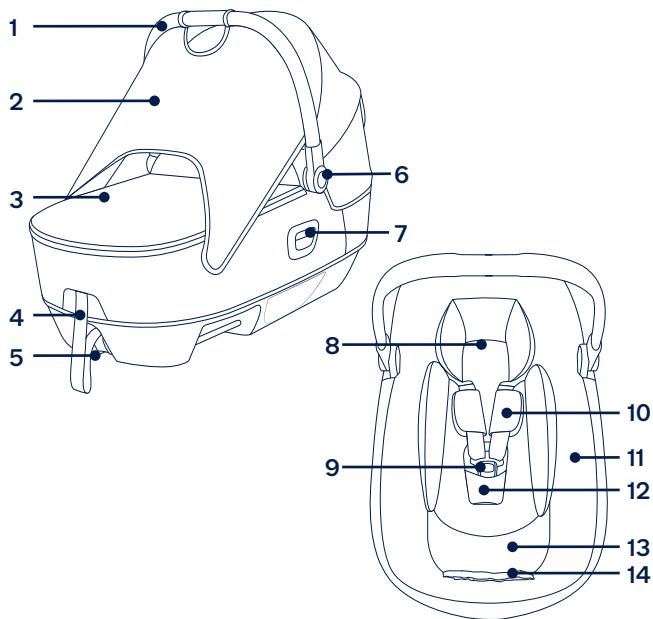
重要：使用前請仔細閱讀本說明書並請妥善保存供以後參照。

- ！本產品僅適合供無法自行坐立之嬰兒使用。
- ！僅能使用於堅固、水平及乾燥表面。
- ！不得讓其他兒童在無人看管下於手提嬰兒床附近玩耍。
- ！若手提嬰兒床有任何部位破損、扯裂或缺漏，切勿使用。
- ！僅能使用製造廠商所提供或認可之替換零件。
- ！切勿將手提嬰兒床放置於靠近明火或其他強熱源處。
- ！手提嬰兒床提把與底部須定期檢查有無損壞與磨損跡象。
- ！除製造廠商所提供或建議使用之床墊外，不得在床墊頂面再加入其它床墊。
- ！不得讓寶寶長期睡在CARI aire中。
- ！手提或提高之前，應先確認提把位於正確使用狀態。
- ！此產品於車外供睡眠使用時，束縛系統應依適用情況予以卸除/隱藏/覆蓋。
- ！手提嬰兒床內嬰兒之頭部不得低於嬰兒身體。

## 產品組件及各部位名稱

組裝前請確認所有部件已經齊全，如有遺漏，請與銷售商聯繫。本產品無需工具進行組裝。

- |          |                        |
|----------|------------------------|
| 1 手把     | 8 小座墊                  |
| 2 遮陽簾    | 9 安全扣                  |
| 3 防風蓋    | 10 肩帶護片                |
| 4 調整織帶   | 11 說明書存放處              |
| 5 織帶調整按鈕 | 12 胯帶護片                |
| 6 手把調整按鈕 | 13 床墊                  |
| 7 釋鎖按鈕   | 14 置物袋 (最大承重 = 0.45kg) |



## 產品使用

### 遮陽篷

- 1- 按壓兩側的調整按鈕調整遮陽篷(1)
- 2- 使用前請檢查手把在正確的位置(2)  
! 在搬運或提起睡箱前，確保手把在正確的使用位置。
- 3- 拉出遮陽簾，依靠磁鐵固定在睡箱兩側(3)  
! 遮陽簾不使用時，可儲存在遮陽篷內。
- 4- 打開遮陽篷的天窗，可以保持CARI aire內通風(4)

### CARI aire與手推車配合使用

- 1- 安裝連接器，放置連接器卡合到座椅底座上，聽到“咔嚓”聲表示連接器卡合到位(5)(6)
- 2- 將CARI aire兩側的卡合座向下固定在手推車固定座上，聽到“咔嚓”聲表示卡合到位(7)  
! 安裝前，請檢查CARI aire底部的網布是否已正確固定(7)-1  
! 安裝CARI aire之前，請移除手推車上的座椅。  
! 請勿收合已安裝CARI aire的手推車。
- 3- CARI aire可以與連接器後向安裝(8)
- 4- CARI aire可以與NUNA TRIV或DEMI grow或MIXX next手推車配合使用。
- 5- 按壓CARI aire兩側的釋鎖按鈕，同時向上提起手把即可移除CARI aire(9)

### 實實乘坐

- 1- 打開防風蓋(10)
- 2- 移除小座墊(11)
- 3- 按壓織帶調整按鈕，同時將CARI aire的肩帶拉出至適當長度(12)(13)
- 4- 按壓紅色按鈕，鬆開安全扣(14)
- 5- 將實實放入睡箱內，扣合安全扣(15)(16)

6 - 下拉調整器織帶，調整肩帶至適當長度，以配合真實身形(17)

！確保實寶與肩帶之間須可以放進一個手掌的厚度。

7 - 拉上拉鍊，將防風蓋正確固定(18)

## CARI aire單獨使用

1 - 按壓紅色按鈕，鬆開安全扣(19)

2 - 移除肩帶護片，胯帶護片以及小座墊(20)(21)

3 - 將肩帶和胯帶穿過床墊，放入儲存盒內(22)

4 - CARI aire單獨使用時，請勿使用束縛系統(23)(24)(25)

5 - CARI aire單獨使用，請確保防風蓋已正確固定。

## 拆卸和組裝座布

參考(26)-(39)步驟即可拆卸座布。

反向操作即可組裝座布。

## 維修與保固

可用濕布清潔車架和座布，請勿使用研磨劑或漂白劑。請勿使用潤滑劑，因為它們會吸附灰塵和污垢。請勿將CARI aire存在潮濕的地方。

為使CARI aire能長期使用，下雨天使用後，請用軟質可吸水的布擦拭。

請參考CARI aire上洗滌標版內容的洗滌方式。

長期使用之後，在正常狀況下，座布可能產生褪色、磨損或撕裂。

為確保安全，請使用Nuna原廠零配件。

請定期檢查您的CARI aire功能是否正常與零件是否鬆弛磨損或脫落。

一旦發生以上任何狀況，請立即停止使用。

**IMPORTANT-  
READ THE  
INSTRUCTIONS  
CAREFULLY BEFORE  
USE AND KEEP FOR  
FUTURE REFERENCE.**

## **Contents**

<b>Product information</b>	13
Product Registration	
Warranty	
<b>Child Usage Requirements</b>	14
<b>Warning</b>	15
<b>Parts List</b>	18
<b>Product Use</b>	19
<b>Cleaning and Maintenance</b>	21

## Product Information

Model Number: \_\_\_\_\_

Manufactured Date: \_\_\_\_\_

### Product Registration

Please fill in the above information. The model number and the manufactured date are located at the bottom of the carry cot.

To register your product please visit:  
[www.nunababy.com/tw/gear-registration](http://www.nunababy.com/tw/gear-registration)

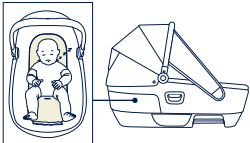
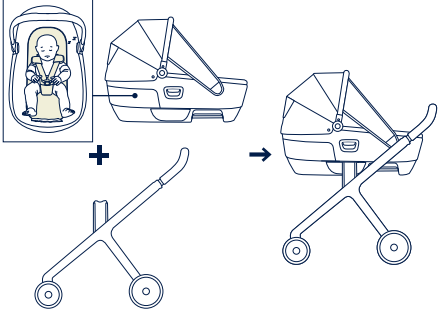
### Warranty

We have purposely designed our high-quality products so that they can grow with both your child and your family. Because we stand by our product, our gear is covered by a custom warranty per product, starting from the day it was purchased. Please have the proof of purchase, model number and manufactured date available when you contact us.

For warranty information please visit:  
[www.nunababy.com/tw/warranty](http://www.nunababy.com/tw/warranty)

## Child Usage Requirements

This product is suitable for use with children who meet the following requirements:

Figure for Installation	Suitable for
	0-6 months/ 0-9kg
	0-6 months/ 0-9kg



## **⚠️ WARNING**

Failure to follow these warnings and the instructions could result in serious injury or death.

Any damage caused by the use of accessories not supplied by Nuna will not be covered in terms of warranty.

A child's safety is your responsibility.

Be aware of the risk of open fire or other source of strong heat, such as electric bar fires, gas fires, etc., in the near vicinity of carry cot.

Before carrying or lifting, make sure that the handle is in the correct position of use.

Check that the attachment devices are correctly engaged before use.

Ensure that all the locking devices are engaged before use.

Keep small parts away from children as they pose a choking hazard.

Only use on a firm, horizontal level and dry surface.

Overloading, incorrect folding, and the use of accessories e.g. child seats, bag hooks, rain covers, buggy boards, etc... other than those approved by Nuna may damage or make carry cot unsafe.

The carry cot is **NOT** to be used for long term sleeping.

The carry cot is not suitable for running or skating.

The handle and the bottom should be inspected regularly for signs of damage and wear.

The head of the child in the carry cot should never be lower than the body.

To avoid any danger of suffocation, remove all plastic covers before using this item and destroy or keep away from babies and children.

**DO NOT** leave the child unattended.

**DO NOT** store the carry cot in a damp place. Always allow the fabric to dry naturally away from direct heat.

**DO NOT** carry additional children, goods, accessories in or on the carry cot except as permitted in this leaflet. They may cause the carry cot to become unstable.

**DO NOT** use or add any mattress other than the one supplied with the carry cot by Nuna.

**DO NOT** add another mattress on top of the mattress provided or recommended by the manufacturers.

**DO NOT** let the child play with the carry cot.

**DO NOT** use if any part of the carry cot is broken, torn or missing.

**DO NOT** let other children play unattended near the carry cot.

**DO NOT** place the carry cot near an open fire or other source of strong heat.

**NEVER** use the carry cot on a stand.

**NEVER** place the child with their head at the foot end of the carry cot.

**NEVER** leave a child in the carry cot when ascending or descending stairs or escalators, or when traveling on other forms of transport.

**NEVER** carry more than one child at a time in the carry cot. **USE** original Nuna parts and accessories only.

**USE ONLY** replacement parts supplied or approved by Nuna.

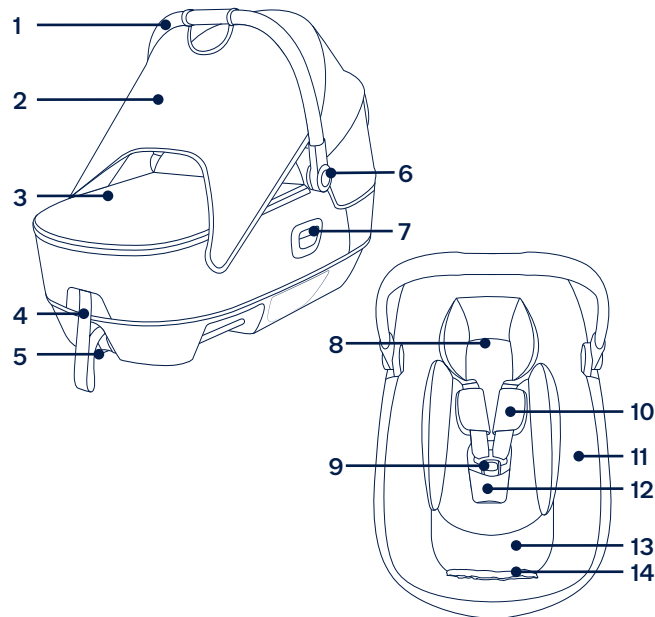
**WARNING** Any load attached to the handle or canopy affects the stability of the carry cot.

The restraint system shall be hidden/covered when the product is used outside car for unattended sleeping.

## Parts List

Make sure all parts are available before assembly. If any part is missing, please contact local retailer. No tools are required for assembly.

- |   |  |    |  |
|---|--|----|--|
| 1 | Handle                                   | 8  | Infant Insert                          |
| 2 | Dream Drape™                             | 9  | Buckle                                 |
| 3 | Carry Cot Cover (style may vary)         | 10 | Shoulder Harness Covers                |
| 4 | Adjustment Webbing                       | 11 | Instruction Manual Storage Compartment |
| 5 | Webbing Adjustment Button                | 12 | Crotch Harness Cover                   |
| 6 | Handle Adjustment Button                 | 13 | Mattress Pad                           |
| 7 | Carry Cot Release Button (from stroller) | 14 | Accessory Bag (maximum load = 0.45kg)  |



# Product Use

## Canopy

- 1 - Pull up the canopy as illustrated while pressing the buttons on both sides. (1)
- 2 - Check to make sure the handle is secure before placing the child in the carry cot. (2)-1
  - ! Make sure that the handle is in the correct position of use before carrying or lifting.
- 3 - To use the dream drape™, secure it to the two sides of carry cot with magnets. (3)
  - ! When do not use the dream drape™, please store it in the canopy.
- 4 - Open canopy window for more ventilation. (4)

## Carry Cot Attachment on Stroller Frame

- 1 - To attach the post adapters, place the post adapters on the seat mounts. A “click” sound means the post adapters are attached. (5)(6)
- 2 - Place the carry cot directly down until it latches into place. The carry cot is securely attached with a positive “click”. (7)
  - ! Please check that the mesh at the bottom of the carrycot is properly fixed before installing carry cot. (7)-1
  - ! Always remove the stroller seat before using the carry cot.
  - ! Do not fold the stroller when the carry cot is still attached.
- 3 - The carry cot can be installed rear facing on the post adapters. (8)
- 4 - The carry cot can be used with NUNA TRIV or DEMI grow or MIXX next strollers.
- 5 - To remove the carry cot, squeeze the carry cot release buttons on both side of the carry cot and lift up. (9)

## Securing Child

- 1 - Open the carry cot cover. (10)
- 2 - Please remove infant insert. (11)
- 3 - Press the harness adjustment button while pulling the both shoulder harnesses of the carry cot to the desired length. (12)(13)
- 4 - Unlock the buckle by pressing the red button. (14)
- 5 - Place child into the carry cot and engage the buckle. (15)(16)
- 6 - Tighten the shoulder harness straps by pulling the adjustment webbing. (17)
  - ! Make sure the space between the child and the shoulder harness straps is about the thickness of one hand.
- 7 - Attach the cover to the carry cot with the zippers on either sides. (18)

## Carry Cot

- 1 - Unlock the buckle by pressing the red button. (19)
- 2 - Please remove shoulder harness covers, crotch harness cover and infant insert. (20)(21)
- 3 - Put the shoulder harness and crotch harness through the mattress and into the storage box. (22)
- 4 - Please do not use the restraint system when using the carry cot by itself. (23)(24)(25)
- 5 - Please make sure to use the carry cot cover when using CARI aire as carry cot.

## Detach & Assemble Soft Goods

Follow steps (26) - (39) to detach soft goods.

To re-attach the soft goods please repeat the above steps in the reverse step.

## Cleaning and Maintenance

Clean the frame, plastic parts, and fabric with a damp cloth, but do not use abrasives or bleach. Do not use silicon lubricants as they will attract dirt and grime. Do not store the carry cot in a damp place.

To ensure long-lasting use, wipe this product off with a soft, absorbent cloth after using it in rainy weather and before storing away.

Refer to the care labels attached to the soft goods for washing and drying instructions.

It is normal for fabric to color from sunlight and to show wear and tear after a long period of use, even when used normally.

For reasons of safety, only use original Nuna parts.

Check regularly if everything functions properly. If any parts are torn, broken, or missing, stop using this product.