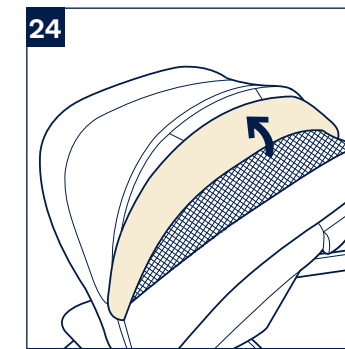
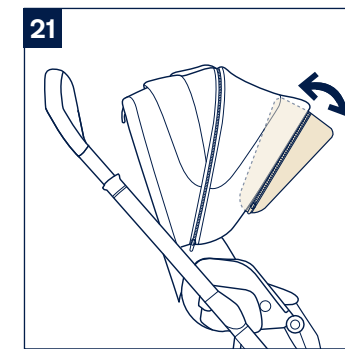
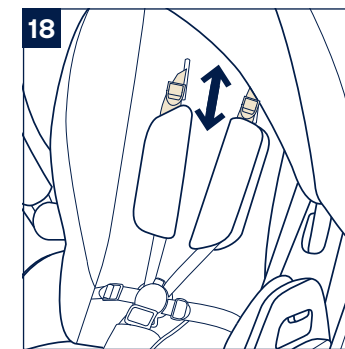
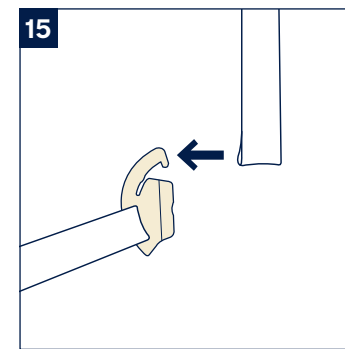
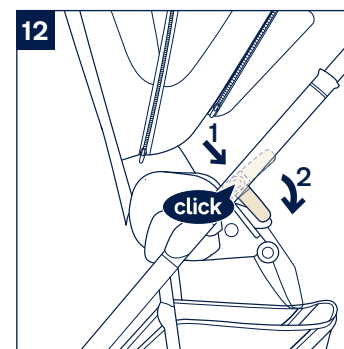
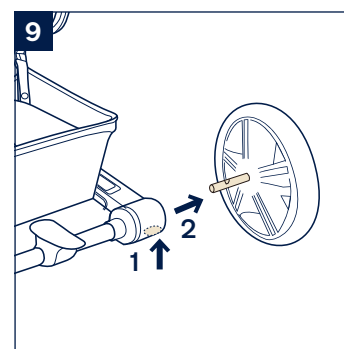
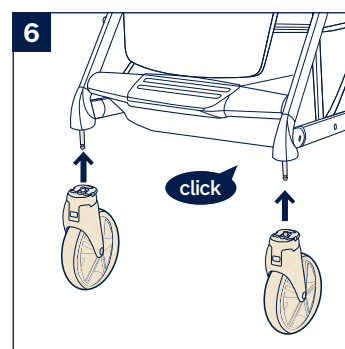
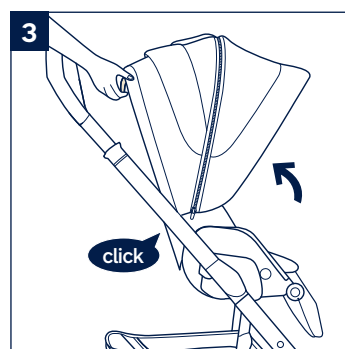
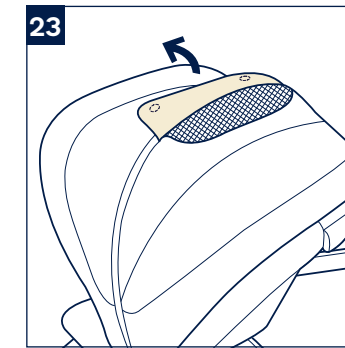
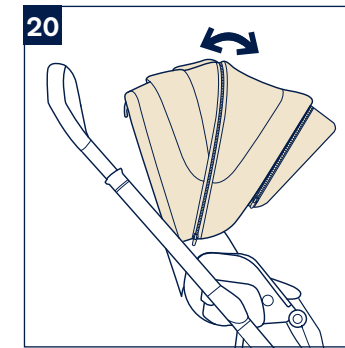
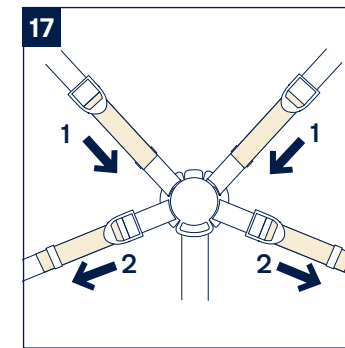
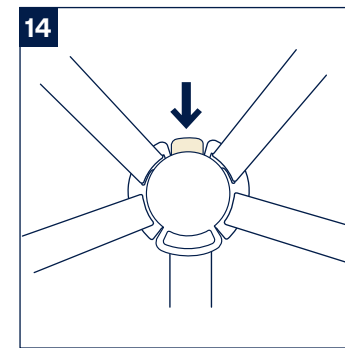
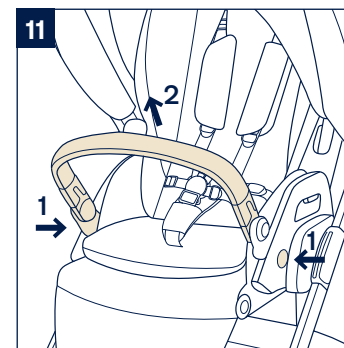
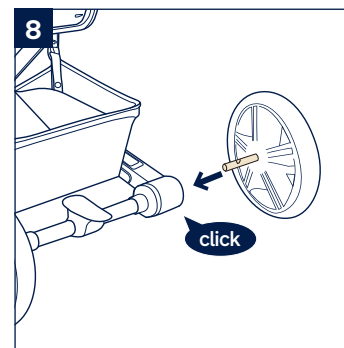
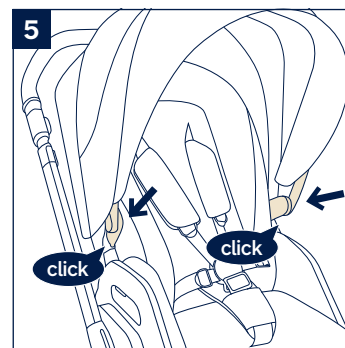
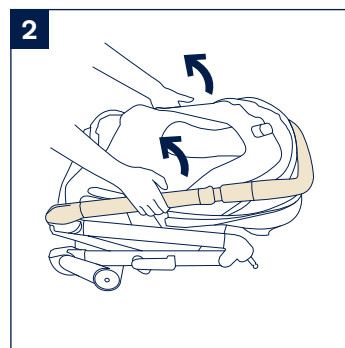
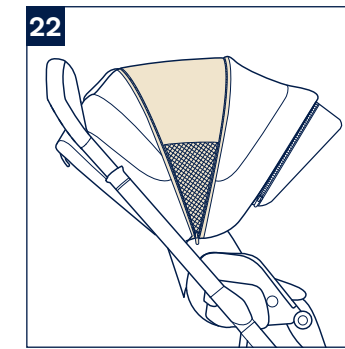
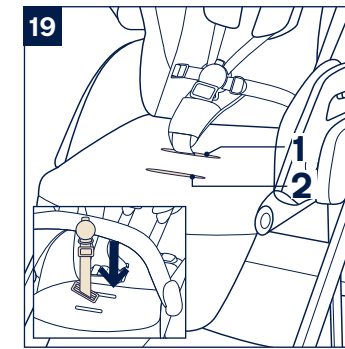
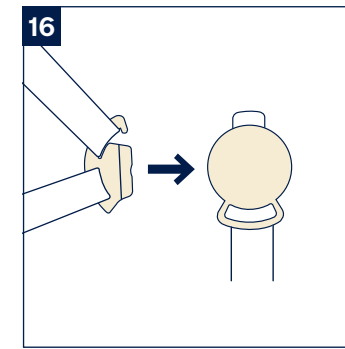
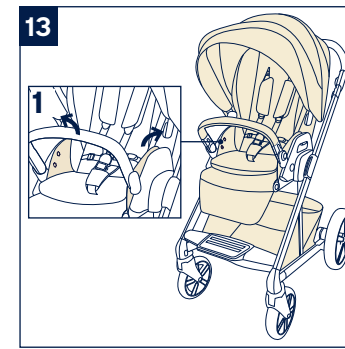
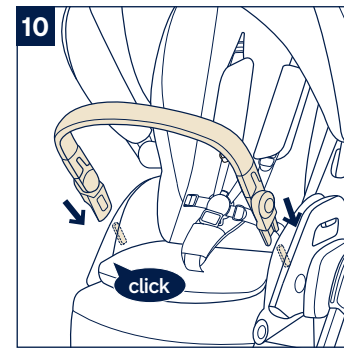
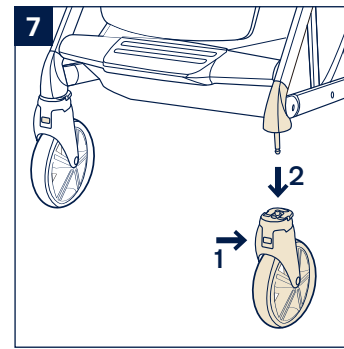
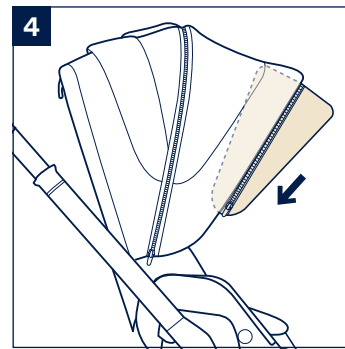
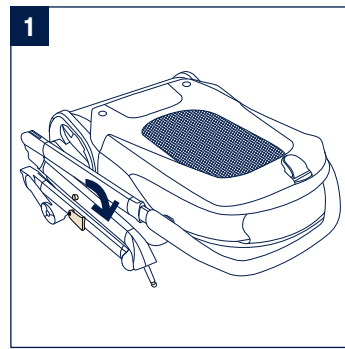


Designed  
around your life





**请妥善保管本说明书  
以备不时之需!**  
使用产品前请仔细阅读本说明书，  
并妥善保管以便日后参照。不依照  
本说明书的指示操作，可能会影响到您  
宝宝的安全。

## 目录

产品资讯	3
保修条件	
联络我们	
适用范围	4
警告	5
产品组件及各部件名称	9
安装手推车	11
产品使用	13
使用配件	17
睡袋	
雨篷	
维修与保养	18
<b>English</b>	<b>19</b>

## 产品资讯

产品名称: \_\_\_\_\_

生产日期: \_\_\_\_\_

### 保修条件

保修始于产品购买日，我们提供维修服务，但不提供产品退换。保修期限不会因零件更换或维修而延长。Nuna有权利针对产品进行改善设计，此前制造的产品则无更换义务。

相关保固资讯，详见官网：

[www.nunababy.com](http://www.nunababy.com)

### 联络我们

我们期望不断改进并开发新的产品，请随时告知您对Nuna产品的意见和建议。

[info@nunababy.com](mailto:info@nunababy.com)

[www.nunababy.com](http://www.nunababy.com)

制造商: NUNA International B.V.  
地址: Van der Valk Boumanweg 178 C  
2352JD Leiderdorp  
The Netherlands

产品名称: MIXX next 手推车  
产品型号: ST13426GRNCH、ST13428CVRCH、  
ST13439RVTCH  
主要材质: 塑胶、铝合金/五金、布  
执行标准: GB 14748-2006 《儿童推车安全要求》

产地: 中国  
生产企业: 明门(中国)婴童用品有限公司  
地址: 广东省东莞市清溪镇银湖工业区

## 适用范围

宝宝需要满足下列要求:

重量: 新生儿-22kg

年龄: 0-48个月

# 警告

Nuna MIXX next 手推车拥有专利并符合国家安全标准 GB 14748 - 2006 《儿童推车安全要求》和欧洲安全标准 EN 1888-2:2018+A1:2022 相关规范。

**重要:请务必依照产品说明书和警告以避免导致严重伤害甚至是死亡事件发生。**

宝宝的安全是您的责任。

当宝宝乘坐时，看护人不要离开。

本产品须由成人进行组装。

为避免手指夹伤问题，收合及展开手推车时，请务必小心。

请勿将任何绳索或索带类物件悬挂于宝宝颈部附近，或扣在产品上，以免导致宝宝意外窒息。

使用前，请确保所有锁定装置都已处于锁定状态。

本产品适用于刚出生及体重不超过22公斤的宝宝使用。

产品一次仅能乘坐一位宝宝。

在把手上放置任何负载会影响车辆的稳定性。本产品不适合在跑步或溜冰时使用。

使用手推车之前，请务必去掉、销毁或是将所有附加包装远离宝宝，以防宝宝窒息。

宝宝乘坐时，安全带或束缚系统必须正确的扣合及使用。

停放手推车时务必确实使用所有的刹车装置。

调整手推车时，如打开或收合手推车，宝宝须远离手推车的活动部件。

禁止在上下楼梯/手扶梯时使用手推车。

请勿放置另外的物品或配件在手推车上，可能影响其手推车的稳定性。

请勿在遮阳篷上放置任何物品。

超重、不正确收合或使用非Nuna原厂的配件可能导致车台损坏与不安全。禁止使用非生产商提供的附件。

请使用Nuna原厂零配件。

Nuna不保修使用其它厂商提供的零配件所造成的损害。请勿让宝宝站立在手推车上。

如果有任何零件损坏，磨破或丢失，请停止使用该产品。

行经护栏与粗糙路面时务必小心。重复撞击力可能对手推车造成坏损。

请勿将手推车放置于马路、坡道或危险场所。

宝宝乘坐于手推车内时，请勿将整个手推车往上提。

使用时请远离火源、高温、水池或电源之附近范围。

保持宝宝远离遮阳篷及雨篷以免造成窒息。

当调整手推车上之任何可活动配件时，必须确定宝宝与手推车保持安全距离。

轮胎可能会在某些表面留下黑色痕迹，特别是光滑的表面，像木地板、合层板和亚麻油地板。

请勿将产品放置潮湿的环境中，请保持产品的干燥。

为避免窒息危险，请将小零件存放至宝宝接触不到的地方。

请勿摆放超过4.5公斤的物件于置物篮内，以免导致手推车不稳定而产生危险。请勿将宝宝放到置物篮内。

请勿摆放超过0.45公斤的物件于置物口袋内，以免导致手推婴儿车不稳定而产生危险。

使用本手推车前，请确认所有固定装置均已正确安装。

请勿允许您的宝宝将手推车当玩具玩耍。

6个月以下婴儿使用时，必须使用最斜躺位置。

此手推车不能代替床使用。

使用时请扣好安全带，以免宝宝滑入腿部开口外而造成窒息。

遇紧急事故时，迅速将乘坐的儿童移离现场。

## NOTE



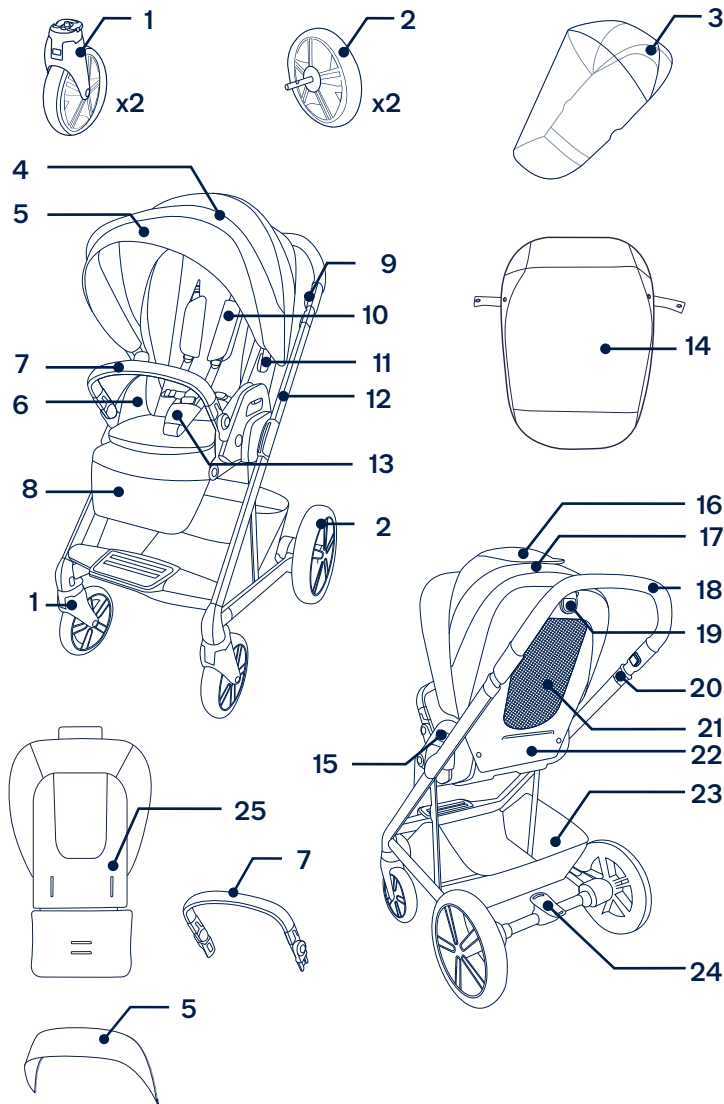
# 产品组件及各部件名称

组装前请确认所有部件已经齐全，如有遗漏，请与销售商联系。本产品无需工具进行组装。

！ 窒息危险：务必去掉、丢弃每个车轮或轮轴的保护套。

- 1 前轮 (x2)
- 2 后轮 (x2)
- 3 雨篷
- 4 遮阳篷
- 5 遮阳片
- 6 座垫
- 7 扶手
- 8 小腿靠
- 9 车手调整按钮
- 10 肩带护片
- 11 顶篷支架
- 12 手推车
- 13 安全扣及胯带护片

- 14 睡袋
- 15 座椅卡合按钮
- 16 顶篷前视天窗
- 17 顶篷透气天窗
- 18 车手
- 19 背靠调整按钮
- 20 收合按钮
- 21 透气座椅背靠
- 22 置物口袋
- 23 置物篮
- 24 刹车踏板
- 25 小座垫



# 安装手推车

## 打开手推车

- 1- 打开收合钩(1)。
- 2- 从侧面向上提车手并向手推车后边旋转(2)，听到“咔哒”声表示手推车完全打开。
- 3- 旋转背靠到垂直位置(3)。

！ 使用手推车前务必确保车架已打开到位。

## 安装遮阳篷

- 1- 将遮阳片上的拉链与遮阳篷上的拉链对齐，拉上拉链即可安装遮阳片(4)。
- 2- 将遮阳篷固定片插入固定座内，听到“咔哒”声即完成安装(5)。

## 安装前轮

- 1- 将前轮套入前脚，听到“咔哒”声表示前轮已安装完成(6)。
- ！ 往外轻拉，确定前轮已完整安装。
- 2- 按压前轮释锁按钮(7)-1，同时向下拉(7)-2，即可拔出前轮。

## 安装后轮

- 1- 将后轮套入后轮刹车组，听到“咔哒”声表示后轮已安装到位(8)。

！ 往外轻拉，确定后轮已完整安装。

- 2- 按压后轮释锁按钮(9)-1，同时向外拉(9)-2，即可拔出后轮。

## 安装扶手

！ 宝宝乘坐时必须系上安全带，扶手并不能确保宝宝的安全。

- 1- 将扶手卡槽对准扶手座插入，听到“咔哒”声表示扶手已安装完成(10)。
- 2- 按压扶手两侧释锁按钮(11)-1，两侧同时向外拉即可拆卸扶手(11)-2。
- 3- 可将座椅调成后向，按压两侧扶手调整按钮(12)-1并将扶手旋转向下，收合体积更小(12)-2。

！ 扶手调整仅用于收合时，宝宝乘坐时切勿旋转扶手。

手推车组装完成后如图13所示。

## 检查

- 收合钩松开后车架已完全展开。
- 前轮、后轮已确实安装。
- 遮阳篷已确实安装，支架及拉链皆安装确实。
- 置物篮已确实安装。
- 扶手已确实安装。

## 产品使用

！ 当手推车停止、或将宝宝置入手推车、抱出手推车时，请务必使用刹车以确保安全。

## 使用安全扣

！ 为了防止宝宝摔跌，宝宝乘坐时必须系上安全带。

请牢牢地系上安全带，并注意宝宝与安全带之间须可以放进一个手掌的厚度。

请勿交叉肩带，以免对宝宝颈部造成压迫。

- 1- 按下母扣上的按钮，安全扣会自动松开(14)。
- 2- 将肩带扣插入腰带扣(15)，再将他们插入母扣内会自动扣合(16)，听到“咔哒”声表示扣合到位。
- 3- 滑动织带以调整肩带长度(17)-1，拉紧腰部织带(17)-2，使宝宝更加舒适。

## 调整肩带位置

- 1- 肩带固定栓可上下滑动调整至适当位置(18)。

## 调整胯带位置

依宝宝的身形大小，胯带位置可2段调节。

- 1- 适合更小的宝宝使用(19)-1。
- 2- 适合更大的宝宝使用(19)-2。

## 使用遮阳篷

- 1- 打开遮阳篷，请将遮阳篷推向前方。  
折叠遮阳篷，请将遮阳篷拉向后方(20)。
- 2- 遮阳片可向前打开或向内收起，不使用时可收合于遮阳篷内(21)。
- 3- 遮阳篷中段拉链可打开以延伸遮阳篷范围(22)。
- 4- 遮阳篷天窗可打开增加透气性(23)。
- 5- 遮阳篷后方可翻起，提供更大面积的透气网(24)。

！ 遮阳篷不可移除。

## 前轮定向

！ 在碎石路面或不平路面推行时，建议锁定前轮，便能更轻松地操控手推车。

- 1- 锁定时，按压前轮上的定向拉板两侧并向外拉出，旋转到后方，即可固定手推车前行方向(25)。
- 2- 释锁时，推进定向拉板即可(26)。



## 使用刹车

- 1- 准备刹车时，踩下刹车踏板后方红色部份即可完成刹车动作(27)。
- 2- 打开刹车时，踩下刹车踏板前方绿色部份即可完成释锁动作(28)。

！ 手推车停止时，请刹车。

## 调整车手

车手有3种段位可供使用。

- 1- 按压车手两侧的调整按钮(29)-1，同时向上或向下拉车手至适合段位(29)-2。

## 调整背靠

背靠可5段角度调节。

- 1- 调低背靠角度，请按压背靠调整按钮，向上或向下调整至所需的背靠角度(30)。

## 调整小腿靠

小腿靠共有2个段位可供调节。

- 1- 段位调高时，将小腿靠支撑板由下往上推即可(31)。
- 2- 段位调低时，按压小腿靠两侧的调整按钮(32)-1，同时向下调节小腿靠支撑板(32)-2。

## 小座垫

当天气炎热时，可拆卸座垫直接使用透气通风的网孔座椅。

- 1- 欲拆卸座垫，请将座垫上方与推车连接的黏扣带解开，按压安全扣中间按钮，打开安全扣，将扣具穿过座垫即可取掉座垫(33)。

## 座椅换向

座椅可以换向，可以让妈妈和宝宝面对面。

- 1- 按压座椅两侧释锁按钮同时提起座椅(34)。
- 2- 改变座椅方向，然后插入座椅底座，听到“咔哒”声表示已安装完成(35)。

！ 安装后，将座椅向上拉提确认是否已完整安装。

## 收合手推车

收合手推车前，请先收拢遮阳篷。

- 1- 按压背靠调整按钮(36)-1，调整至收合位置(36)-2。
- 2- 抬起车手两侧收合按钮(37)-1，然后将车手向前压即可收合手推车(37)-2。
- 3- 收合钩会自动扣合，手推车收合完成后如图38所示。

## 使用配件

### 睡袋

柔软的睡袋能为你的孩子提供温暖舒适的环境:

- 1- 将睡袋放在座椅上，扣合睡袋上的纽扣(39)-1，另一侧重复此动作。
- 2- 睡袋组装完成如图(39)。

### 雨篷

安装雨篷前，请确认雨篷已完全展开。

- 1- 将雨篷套到座椅上(40)。

**!** 使用雨篷时，请随时注意并确认雨篷内有良好的通风。不使用雨篷时，请先确认雨篷已清洁并干燥，再收纳。请勿收合已罩上雨篷的手推车。天气炎热时，请勿将宝宝放在装有雨篷的手推车内。

## 维修与保养

可用湿布清洁车架和座布，请勿使用研磨剂或漂白剂。请勿使用润滑剂，因为它们会吸附灰尘和污垢。请勿将手推车储存在潮湿的地方。

请定期以水清洗轮子，并清除污垢。

为使手推车能长期使用，下雨天使用后，请用软质可吸水的布擦拭手推车。

请参考手推车上洗涤标版内容的洗涤方式。

长期使用之后，在正常状况下，座布可能产生褪色、磨损或撕裂。

为确保安全，请使用Nuna原厂零配件。

请定期检查您的手推车功能是否正常与零件是否松弛磨损或脱落。一旦发生以上任何状况，请立即停止使用本手推车。

**IMPORTANT!  
READ CAREFULLY  
AND KEEP FOR FUTURE  
REFERENCE**

## Contents

<b>Product Information</b>	21
Warranty	
Contact	
<b>Child Usage Requirements</b>	22
<b>Warnings</b>	23
<b>Parts List</b>	27
<b>Product Set Up</b>	29
<b>Product Use</b>	31
<b>Accessory</b>	35
Apron	
Rain Cover	
<b>Cleaning and Maintenance</b>	36

## Product Information

Model Number: \_\_\_\_\_

Manufactured Date: \_\_\_\_\_

### Warranty

We have purposely designed our high-quality products so that they can grow with both your child and your family. Because we stand by our product, our gear is covered by a custom warranty per product, starting from the day it was purchased. Please have the proof of purchase, model number and manufactured date available when you contact us.

**For warranty information please visit:**

[www.nunababy.com](http://www.nunababy.com)

Click the “Warranty” link on the homepage.

### Contact

For replacement parts, service, or additional warranty questions, please contact our customer service department.

[info@nunababy.com](mailto:info@nunababy.com)

[www.nunababy.com](http://www.nunababy.com)

**In the United Kingdom:**

[infouk@nunababy.com](mailto:infouk@nunababy.com)

[www.nunababy.com](http://www.nunababy.com)

**NUNA International B.V.**

Van der Valk Boumanweg 178 C

2352JD Leiderdorp

The Netherlands

## Child Usage Requirements

This Stroller is suitable for use with children who meet the following requirements:

Birth to 22 kg or 4 years whichever comes first.

## **WARNING**

EN

Failure to follow these warnings and instructions could result in serious injury or death.

Always use the restraint system.

Check that the seat unit attachment devices are correctly engaged before use.

Do not let the child play with this product.

Ensure that all the locking devices are engaged before use.

Never leave the child unattended.

This product is not suitable for running or skating.

To avoid injury ensure that the child is kept away when unfolding and folding this product.

Accessories which are not approved by the manufacturer shall not be used. Only replacement parts supplied or recommended by the manufacturer/distributor shall be used.

Adult assembly required.

**ALWAYS** set the parking brake when you stop.

Any damage caused by the use of accessories not supplied by Nuna will not be covered in terms of warranty.

Any load attached to the handle and/or on the back of the backrest and/or on the sides of the vehicle will affect the stability of the vehicle.

Be certain the stroller is fully erected and latched before allowing your child near the stroller.

**DO NOT** carry additional children, goods, accessories in or on the stroller except as permitted in this manual. They may cause the stroller to become unstable.

**DO NOT** leave the stroller exposed in the vicinity of a strong source of heat i.e. a radiator or open fire.

**DO NOT** place any item on the canopy.

**DO NOT** store the stroller in a damp place. Always allow the fabric to dry naturally away from direct heat.

**DO NOT** use storage basket as a child carrier.

**DO NOT** use the stroller if any parts are damaged or missing.

Keep small parts away from children as they pose a choking hazard.

Negotiate curbs and rough ground carefully. Repeated impact could cause damage to the stroller.

EN

**NEVER** allow children to stand on the stroller.

**NEVER** carry more than one child at a time in the stroller.

**NEVER** use the stroller on stairs or escalators. You may suddenly lose control of the stroller or your child may fall out.

The harness must always be correctly fitted and adjusted. The harness is not a substitute for proper adult supervision.

The parking brake shall be engaged when placing and removing children.

Overloading, incorrect folding, and the use of accessories e.g. child seats, bag hooks, rain covers, buggy boards, etc... other than those approved by Nuna may damage or make the stroller unsafe.

Rubber tires may leave black scuff marks on smooth surfaces such as parquet, laminate and linoleum.

**STRANGULATION HAZARD** Do not place items with a string around your child's neck, suspend strings from this product, or attach strings to toys.

To avoid any danger of suffocation, remove all plastic covers before using this item and destroy or keep away from babies and children!

To prevent a hazardous, unstable condition, do not place more than 4.5 kg in the storage basket and more than 0.45 kg in the storage pocket.

**USE** the most reclined position for new born babies.

Use the pushchair with a child weighing no more than 22 kg. It will cause damage to the pushchair with an unfitted child.

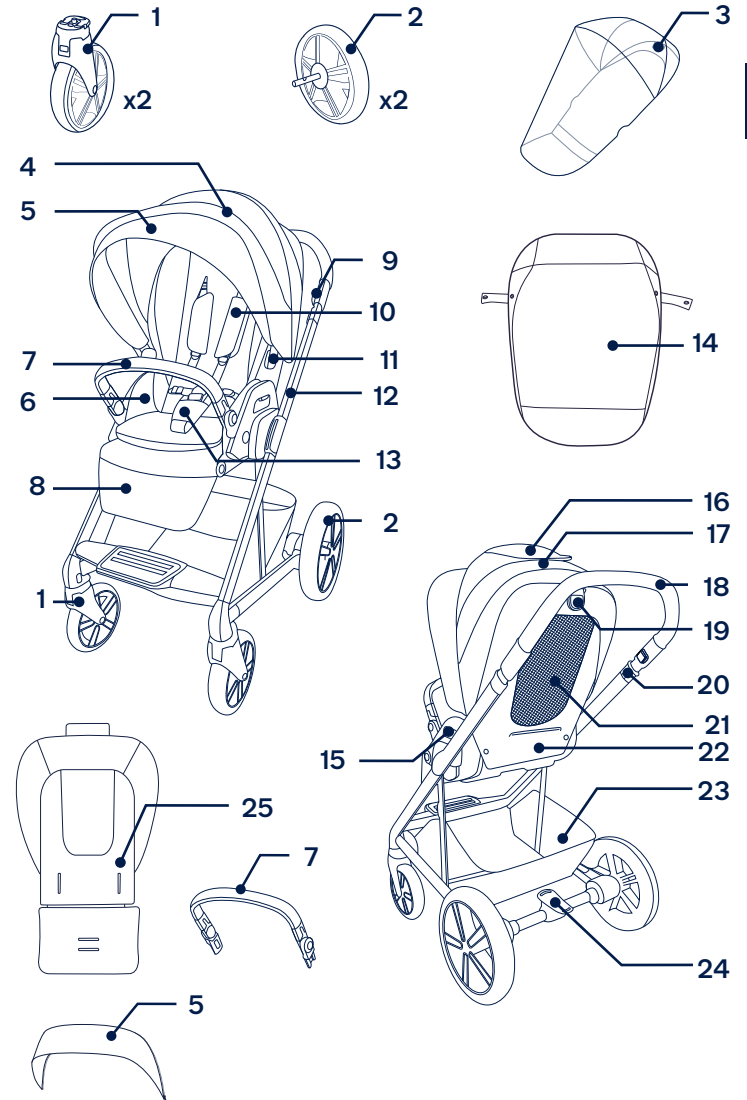


# Parts List

Make sure all parts are available before assembly. If any part is missing, please contact local retailer. No tools are required for assembly.

**! CHOKING HAZARD:** Remove and immediately discard protective end caps from each wheel and wheel hub axle.

- |                            |                              |
|----------------------------|------------------------------|
| 1 Front Wheel (x2)         | 14 Apron                     |
| 2 Rear Wheel (x2)          | 15 Seat Release Button       |
| 3 Rain Cover               | 16 Top Canopy Window         |
| 4 Canopy                   | 17 Back Canopy Window        |
| 5 Canopy Visor             | 18 Stroller Handle           |
| 6 Seat Pad                 | 19 Recline Adjustment Button |
| 7 Armbar                   | 20 Folding Button            |
| 8 Calf Support             | 21 Seat Ventilation          |
| 9 Handle Adjustment Button | 22 Storage Pocket            |
| 10 Shoulder Harness Pads   | 23 Storage Basket            |
| 11 Canopy Clips            | 24 Brake Lever               |
| 12 Stroller Frame          | 25 Insert                    |
| 13 Buckle and Crotch Cover |                              |



# Product Set Up

EN

## Open Stroller

- 1 - Open the storage latch as shown (1). Lift up on the handle from the sides and rotate to the rear of the stroller. A “click” sound means the stroller frame is open completely. (2)
  - 2 - Squeeze the recline adjustment button on the back of the seat and rotate the backrest to the upright position. (3)
- ! Check that the stroller is open completely before continuing.

## Canopy

- 1 - Zip the canopy visor to the inside of the canopy. (4)
- 2 - Insert the canopy clips into the canopy mounts on the sides of the stroller. A “click” sound means the canopy is assembled completely. (5)

## Front Wheels

- 1 - Insert the front wheel into the front leg. A “click” sound means the wheel is assembled completely. (6) Repeat on opposite side.
- ! Check the wheel is securely attached by pulling out.
- 2 - To remove the front wheel, press the release button (7)-1 and detach the front wheel from the front leg. (7)-2

## Rear Wheels

- 1 - Insert the rear wheel into the rear leg. A “click” sound means the rear wheel is assembled completely. Repeat on opposite side. (8)

- ! Check that the wheels are securely attached by pulling them out.
- 2 - To remove the rear wheel, press the release button (9)-1 and detach the rear wheel from the rear leg. (9)-2

## Armbar

- ! Always secure the child with the harness. The armbar is not a restraint device.
- 1 - Align the armbar ends with the armbar mounts, and insert until it clicks into place. A “click” sound means the armbar is assembled completely. (10)
  - 2 - To remove the armbar, press the armbar release buttons (11)-1 and lift the armbar up. (11)-2
  - 3 - For a more compact fold when the seat is rear facing, press the armbar adjustment buttons (12)-1 and rotate the armbar down (12)-2 until it clicks into place.
- ! **NEVER** use the armbar in lowered/folded position when child is in stroller.

The completely assembled stroller is shown as (13).

### Check Set Up

- Stroller frame is latched open
- Front wheels, rear wheels securely attached
- Canopy mount attached to stroller frame and canopy attached to seat pad
- Armbar is securely attached

EN

# Product Use

EN

- ! The parking brake **MUST** be engaged when the stroller is stopped and when placing and removing child.

## Securing Your Child

- ! To avoid serious injury from falling or sliding out, always use the seat belt.  
Make sure the harness is adjusted properly and your child is snugly secured. The space between the child and the shoulder harness should be about the thickness of one finger. **DO NOT** cross the shoulder belts. This will cause pressure on your child's neck.
- 1 - Press the button, the buckle will release automatically. **(14)**
- 2 - Match the waist belt buckle with the shoulder buckle **(15)**, and align them with the center buckle, the buckle can lock automatically. **(16)**
- 3 - Fit the harness snugly to your child by sliding the adjustment straps to tighten **(17)-1**. Then pull the waist adjustment straps out **(17)-2**.

## Shoulder Harness Position

- 1 - The upper shoulder harness buckles can be moved up and down for added adjustment. **(18)**

## Crotch Belt

Identify crotch belt slot that will achieve a snug fit. Change crotch belt slot if necessary.

- 1 - Smaller babies use this position. **(19)-1**
- 2 - Larger babies use this position. **(19)-2**

## Canopy

- 1 - To open the canopy, pull the canopy toward the front of the seat. To close the canopy, push it back. **(20)**
- 2 - Position the canopy visor forward or backward as needed. When not in use, fold the canopy visor under the canopy. **(21)**
- 3 - Open the zipper on the canopy for extra shade and ventilation. **(22)**
- 4 - For ventilation, flip up the top canopy window cover. **(23)**
- 5 - For additional ventilation, flip up the back canopy window cover. **(24)**

The canopy is **NOT** removable.

## Front Swivel Locks

It is recommended to use the front swivel locks on uneven surfaces.

- 1 - Squeeze **(25)-1** and pull out the front swivel lock **(25)-2** to lock the front wheel forward facing. You may need to move the wheel to get it to lock.
- 2 - Push in the front swivel lock to unlock. **(26)**

EN

## Brake

- 1 - To lock the rear wheels, step down on the red area on the brake lever. **(27)**
- 2 - To unlock the rear wheels, step down on the green area on the brake lever. **(28)**

**!** Always apply the brake when the stroller is stopped. Push the stroller slightly to ensure the brake is engaged.

## Handle

The handle has 3 positions.

- 1 - To adjust the height of the handle, press the handle adjustment buttons **(29)-1** and pull the handle up or down. **(29)-2**

## Recline Adjustment

There are 5 recline positions for the backrest.

- 1 - To raise or lower the backrest, squeeze the recline adjustment button, and pull the seat up or down. **(30)**

## Calf Support

The calf support has 2 use positions.

- 1 - To raise the calf support, lift up. **(31)**
- 2 - To lower the calf support, press the adjustment buttons on the sides **(32)-1**, and push down. **(32)-2**

## Insert

The insert can be removed to provide a mesh seating area for better ventilation during hot weather.

- 1 - To remove the insert, release the velcro on insert from the back of the seat, unbuckle the harness, thread the harness through the harness slots and remove the seat pad. **(33)**

## Reverse Seat

The seat can be used rear or forward facing.

- 1 - Squeeze the seat release buttons and lift the seat up. **(34)**
  - 2 - Turn the seat in the opposite direction and place on the seat mounts until it clicks into place. A “click” sound means the seat is attached. **(35)**
- !** Check to make sure seat is securely attached by pulling up on it.

## Fold

Before folding, push the canopy to the rear of the stroller.

- 1 - Squeeze the recline adjustment button on the back of the seat **(36)-1** and rotate the backrest to the stored position. **(36)-2**
- 2 - Pull up on the folding buttons **(37)-1** and push the stroller forward to fold. **(37)-2**
- 3 - Lock the stroller by tucking the storage latch onto the storage mount. **(38)**

## Accessory

EN

### Apron

The soft apron can provide your child with a warm and comfortable environment.

- 1 - Place the apron over the seat, fasten the snaps on the apron **(39)**-1, repeat on the opposite side.
- 2- The assembled apron is shown as **(39)**.

### Rain Cover

Check that the canopy is completely open before attaching the rain cover.

- 1 - To assemble the rain cover, place it over the stroller. **(40)**

**!** **ALWAYS** check ventilation when the rain cover is on the product.

**ALWAYS** check that the rain cover has been cleaned and dried before folding.

**DO NOT** fold the stroller when the rain cover is attached.

**DO NOT** place your child in the stroller in hot weather with the rain cover attached.

## Cleaning and Maintenance

EN

Clean the frame, plastic parts, and fabric with a damp cloth, but do not use abrasives or bleach. Do not use silicon lubricants as they will attract dirt and grime. Do not store your stroller in a damp place.

Clean the stroller wheels regularly with water and remove any dirt.

To ensure long-lasting use, wipe off this product with a soft, absorbent cloth after using it in rainy weather.

Refer to the care label attached to the fabric for washing and drying instructions.

It is normal for fabric to color from sunlight and to show wear and tear after a long period of use, even when used normally.

For reasons of safety, only use original Nuna parts.

Check regularly if everything functions properly. If any parts are torn, broken, or missing, stop using this product.