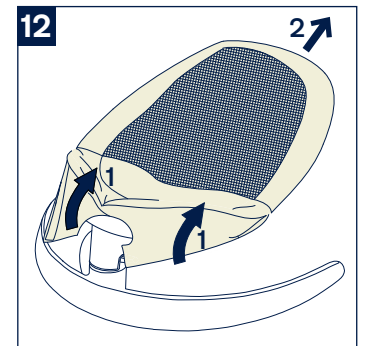
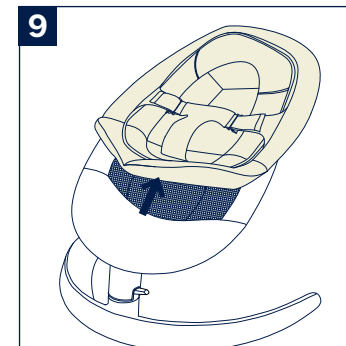
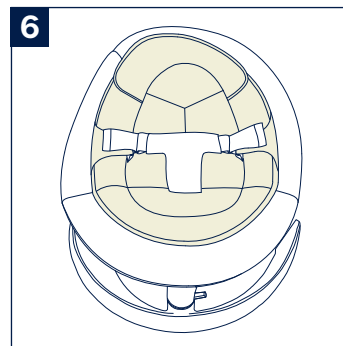
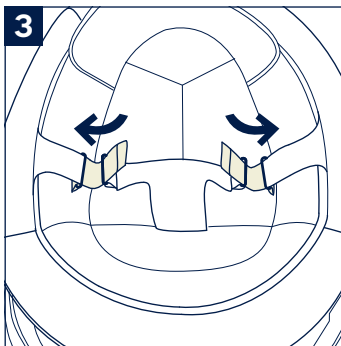
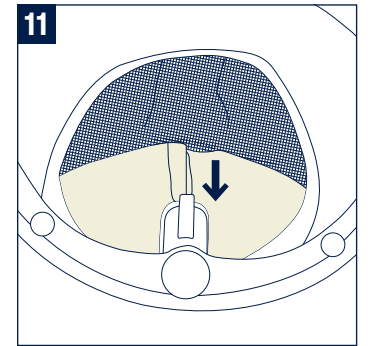
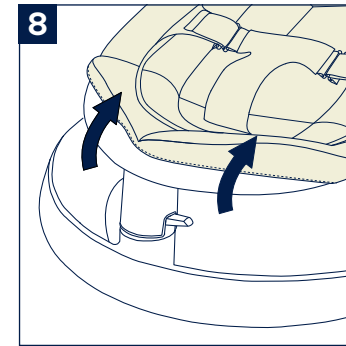
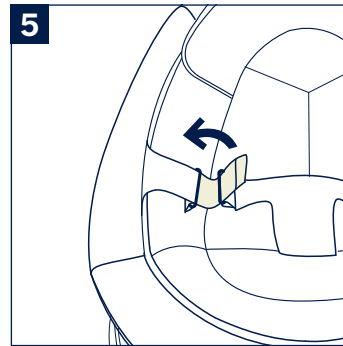
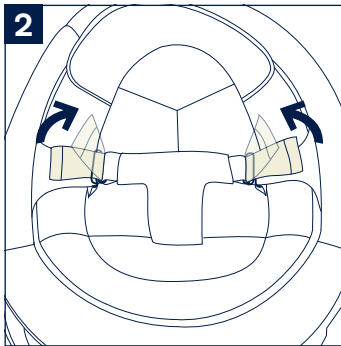
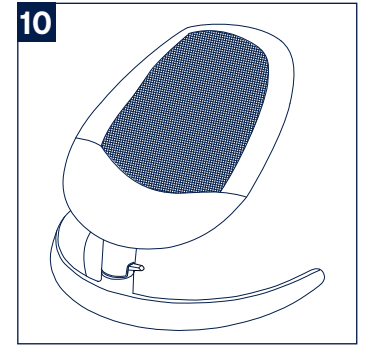
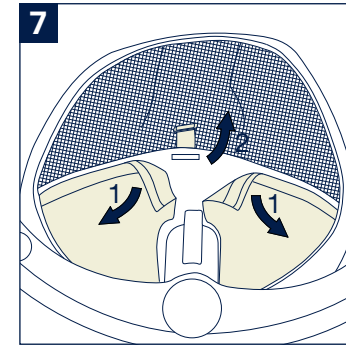
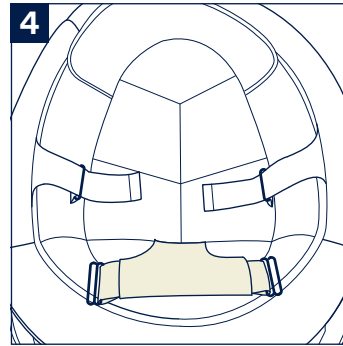
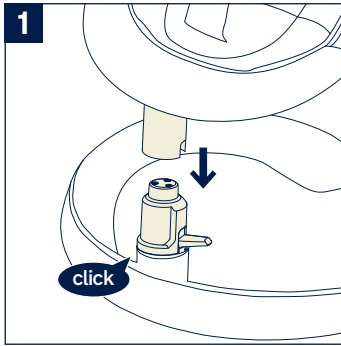
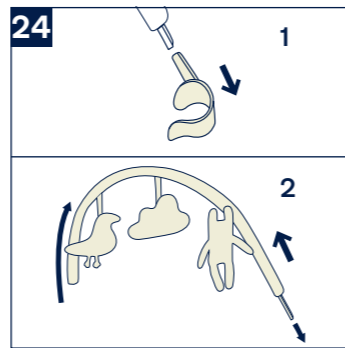
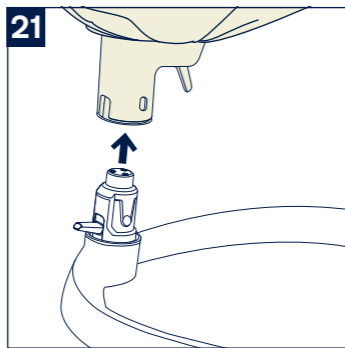
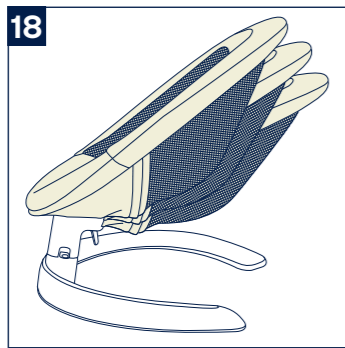
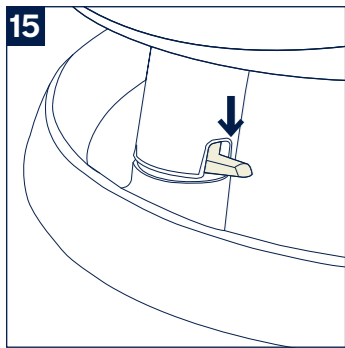
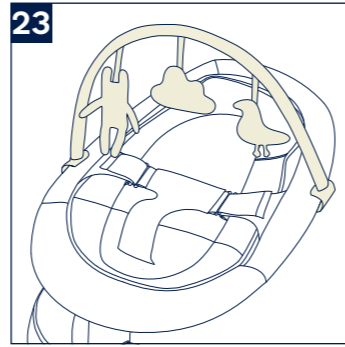
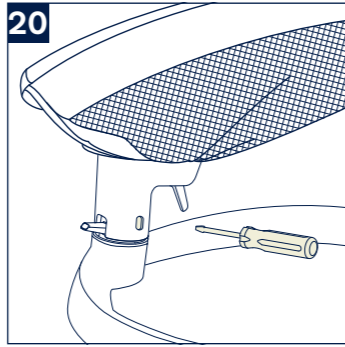
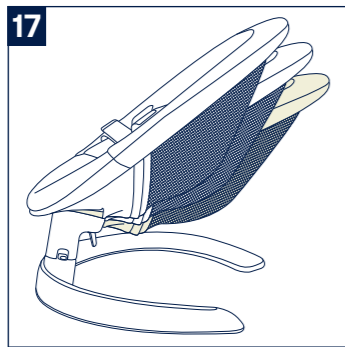
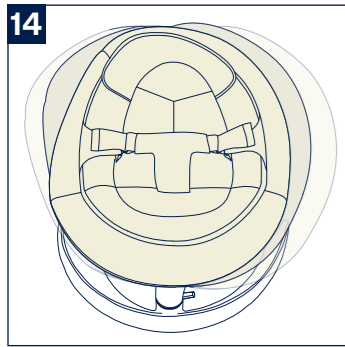
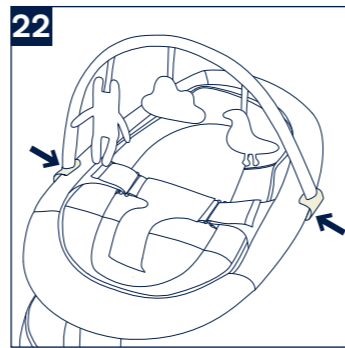
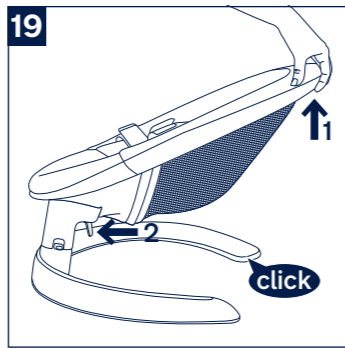
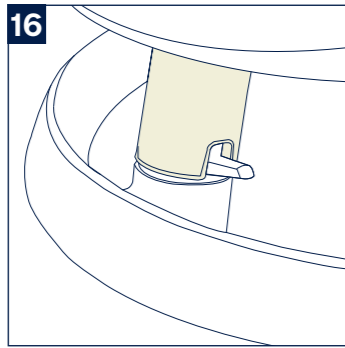
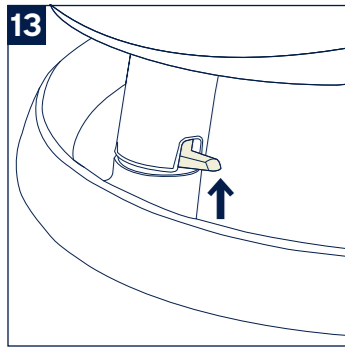


*Designed  
around your life*





**注意:保管好此说明  
以备日后查询!**  
使用产品前请仔细阅读本说明书,  
并妥善保存说明书以便日后参考。

## 目录

产品资讯	3
保修条件	
联络我们	
适用范围	4
警告	5
产品组件及各部位名称	7
产品安装	9
第一阶段使用	9
第二阶段使用	10
产品使用	10
配件	11
维护与保养	12
 English	 13

# 产品资讯

产品名称： \_\_\_\_\_

生产日期： \_\_\_\_\_

## 保修条件

保修始于产品购买日，我们提供维修服务，但不提供产品退换。保修期限不会因零件更换或维修而延长。Nuna有权利针对产品进行改善设计，此前制造的产品则无更换义务。

相关保修资讯，详见官网：  
www.nunababy.com/cn/warranty

## 联络我们

我们期望不断改进并开发新的产品，请随时告知您对Nuna产品的意见和建议。

www.nunababy.com/cn

型 号 SE10306BISCH、SE10306GRNCH、  
SE10306PCHCH

品 名 LEAF grow 摇摇椅

产 地 中国

生产企业 明门(中国)婴童用品有限公司

地 址 广东省东莞市清溪镇银湖工业区

制 造 商 NUNA International B.V.  
地 址 Van der Valk Boumanweg 178 C  
2352JD Leiderdorp  
The Netherlands

执行标准 SN/T 3611-2013  
《儿童用可躺摇椅的安全要求及测试方法》  
GB 6675.1-2014  
《玩具安全 第1部分:基本规范》  
GB 6675.2-2014  
《玩具安全 第2部分:机械与物理性能》  
GB 6675.3-2014  
《玩具安全 第3部分:易燃性能》  
GB 6675.4-2014  
《玩具安全 第4部分:特定元素的迁移》

材 质 五金、塑胶、布  
玩具面布100%聚酯纤维；玩具填充物100%  
聚酯纤维。  
玩具条面布100%聚酯纤维；玩具条填充物  
100%聚氨酯

## 适用范围

此产品可分两阶段使用

第一阶段：使用束缚系统

新生儿至9公斤(6个月)，婴儿可自行坐立者，不得使用本婴儿斜躺摇篮。

第二阶段：不使用束缚系统

可独立行走或体重60公斤内的小孩。

玩具适用范围:出生至4个月以下

# 警告

请务必依照产品说明书和警告以避免导致严重伤害甚至是死亡事件发生。

- ! 最大载重为60公斤。
- ! 不要在高处(如桌子上)使用可躺摇椅。
- ! 必须使用束缚系统。
- ! 请勿将本产品放置于柔软表面(如床、沙发、坐垫)，因产品可能翻覆，导致宝宝窒息的意外发生。
- ! 请勿以抓住叶状座椅框架的方式搬运本产品。
- ! 组装本产品后，请试将座椅往上拉起，以确定座椅与底座已安装连接妥当。
- ! 可躺摇椅不能代替婴儿床和床铺使用。假如婴儿需要睡眠，请将其放置到婴儿床和床铺上。
- ! 不得使用部件破损或遗失的可躺摇椅。
- ! 不得使用非生产商提供的饰件或替代件。
- ! 第一阶段：使用束缚系统  
新生儿至9公斤(6个月)，婴儿可自行坐立者，不得使用本婴儿斜躺摇篮。
- ! 此产品不能供长时间睡眠使用。
- ! 为预防摔落，当孩童会开始翻身或能将身体撑起时请停止使用此模式(不超过6个月)。

- ! 请勿将本产品放置于柔软表面(如床、沙发、坐垫)，因产品可能翻覆，导致宝宝窒息的意外发生。
- ! 使用产品时请随时系好安全带并调整至舒适的紧度。
- ! 第二阶段：不使用束缚系统  
座椅三个段位皆可在这个阶段被使用  
适合可独立行走或体重60公斤内的小孩。
- ! 可以自己坐稳的儿童不得使用可躺摇椅。
- ! 不得使用玩具杆搬运可躺摇椅
- ! 为避免可能的缠绕伤害，请在儿童试图以爬行姿势使用手膝站立时移除此玩具。
- ! 玩具不适用于4个月及以上儿童使用
- ! 看护人不得离开。



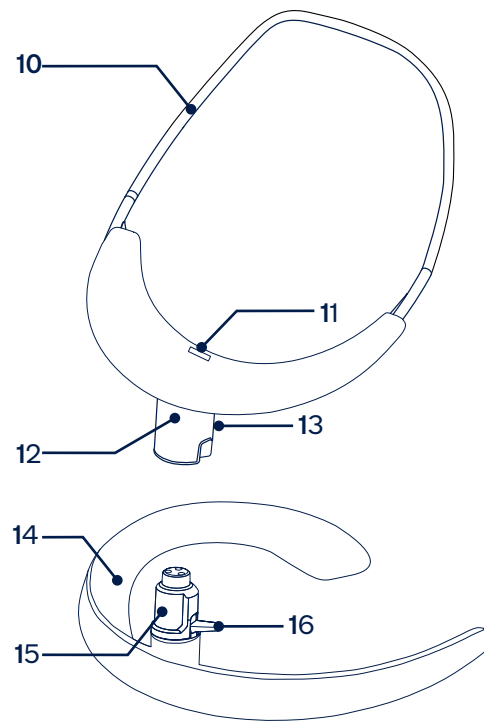
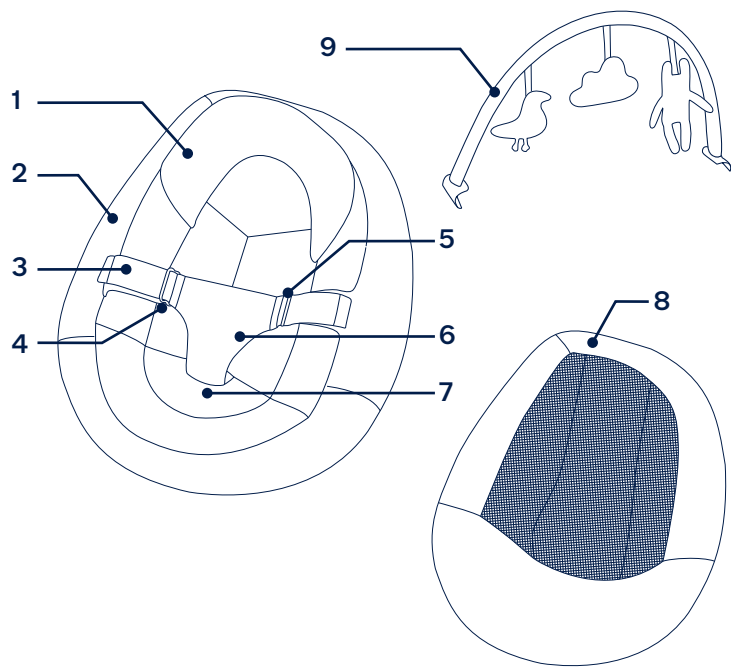
# 产品组件及各部位名称

- 1 小座垫
- 2 座垫
- 3 安全带
- 4 安全带扣环
- 5 安全带

- 6 胯带护片
- 7 座垫固定扣具  
(座垫反面内侧)
- 8 座椅布套
- 9 玩具杆

- 10 座椅框架
- 11 座垫固定孔
- 12 座椅转轴柱
- 13 背靠角度调整钮

- 14 底座
- 15 底座转轴柱
- 16 静止锁



## 产品安装

将座椅转轴对准底座转轴卡合，听到“喀”声表示组装完成。组装本产品后，请试将座椅往上拉起，以确定座椅与底座已安装连接妥当。图(1)

图示请参考说明书折页插图。

## 第一阶段使用

新生儿至9公斤(6个月)，婴儿可自行坐立者，不得使用本婴儿斜躺摇篮。

- 1 将安全带解开，放松扣环。图(2)
- 2 将安全带从扣环移除。图(3)
- 3 将胯带护片往下拉开。图(4)
- 4 依照幼童身形将安全带调至舒适的紧度将宝宝置入座椅中，反向操作步骤。图(5)

### 使用小座垫

专为新生儿设计的小座垫提供宝宝最舒适的包覆

- 1 将安全带从小座垫孔洞穿出，移除小座垫。图(6)

### 拆除座垫

当宝宝可自行坐立或可自行挣脱安全带时(不超过6个月)，请停止使用座垫(含束缚系统)

- 1 将座椅翻至反面，将安全扣带拆除图(7)-1，并将反面的胯带支带从座椅框架解开。图(7)-2
- 2 从下端开始将座垫拆除。图(8)
- 3 将座垫从上方整个拆除。图(9)

## 第二阶段使用

- 1 座椅布套，适合可独立行走或体重60公斤内的小孩。图(10)

### 拆除座椅布套

- 1 将座椅翻至反面，打开黏扣带。图(11)
- 2 将座椅翻回正面，从底部开始将座椅布套移除图(12)-1。将座椅布套向上从框架上拉开。图(12)-2

当幼童超过60kg时请停止使用本产品。

## 产品使用

### 静止锁

静止锁功能在两个阶段皆能被使用。

- 1 将静止锁向上抬起解除锁定。图(13)
- 2 轻推座椅使其开始摇动。图(14)
- 3 将静止锁向下按压，即可停止座椅摇动并锁定转动功能。座椅只会面对正中时静止。图(15)
- 4 移动座椅时，请先锁定静止锁，并分别握住底座及座椅。图(16)

移动时请勿将孩童置于座椅中。

## 调整背靠角度

- 1 三段可调背靠角度。图(17)  
 第一阶段必须使用束缚系统  
 第二阶段不需使用束缚系统
- 2 第二阶段时，三段角度皆可被使用。图(18)
- 3 需要将背靠角度调高时，握住椅背上端，向上提起至想要的段位即可图(19)-1。听到“喀”声表示椅背已移动至您想要的高度。
- 4 需要将背靠角度降低时，握住椅背上端，按下调整钮图(19)-2，将椅背轻放至想要的段位，听到“喀”声表示椅背已移动至您想要的高度。

## 从底座移除

- 1 使用一把一字螺丝起子，插入转动轴后方的孔位，即可分离座椅及底座。图(20)
  - 2 将座椅提起，从底座上分离。图(21)
- 请勿使用其他方式分离座椅及底座。

# 配件

## 玩具杆

- 1 将玩具杆固定座卡合在座椅两侧。玩具杆固定座上的Nuna标志朝上。图(22)
- 2 玩具杆组装完成如图(23)。
- 3 清洗玩具杆座布时，先将玩具杆固定座移除。图(24)-1
- 4 再将座布从玩具杆上拉出。图(24)-2

# 维护与保养

请参照产品上的洗涤标签指示，可用湿布或中性清洁剂清洁。请勿以强硷或溶剂清洁，避免造成产品毁损。持续曝晒于阳光下可能导致车台和零件变色。定期检查产品，如发现任何损伤，请立刻停止使用。

NUNA International B.V. Nuna及所有相关徽标皆为商标。

**IMPORTANT!  
KEEP THESE  
INSTRUCTIONS FOR  
FUTURE REFERENCE:  
*READ ALL INSTRUCTIONS  
BEFORE USE***

## Contents

<b>Product Information</b>	15
Warranty	
Contact	
<b>Child Usage Requirements</b>	16
<b>Warning</b>	17
<b>Parts List</b>	19
<b>Product Set Up</b>	21
<b>Stage One Use</b>	21
<b>Stage Two Use</b>	22
<b>Product Use</b>	23
<b>Accessory</b>	24
<b>Cleaning and Maintenance</b>	24



## Product Information

Model Number: \_\_\_\_\_

Manufactured Date: \_\_\_\_\_

### Warranty

We have purposely designed our high-quality products so that they can grow with both your child and your family. Because we stand by our product, our gear is covered by a custom warranty per product, starting from the day it was purchased. Please have the proof of purchase, model number and manufactured date available when you contact us.

**For warranty information please visit:**

[www.nunababy.com](http://www.nunababy.com)

Click the “Warranty” link on the homepage.

### Contact

For replacement parts, service, or additional warranty questions, please contact our customer service department.

[info@nunababy.com](mailto:info@nunababy.com)

[www.nunababy.com](http://www.nunababy.com)

**In the United Kingdom:**

[infouk@nunababy.com](mailto:infouk@nunababy.com)

[www.nunababy.com](http://www.nunababy.com)

**NUNA International B.V.**

Van der Valk Boumanweg 178 C

2352JD Leiderdorp

The Netherlands

## Child Usage Requirements

This product is intended for two stages of use:

### Stage One: With Harness

- For use from birth until the child can sit upright or can climb out unassisted.
- Discontinue stage one use when infant can sit upright, push up on hands and knees or climb out unassisted (approximately 6 months) and is unable to walk, up to 9 kg.

### Stage Two: Without Harness

- **ANY** recline position can be used.
- For use as a chair when the child is able to walk.
- Discontinue stage two use when child reaches 60 kg.
- Maximum tested weight is 60kg.
- Never leave your child unattended.

## **! WARNING**

Failure to follow these warnings and instructions could result in serious injury or death.

A child's safety is your responsibility.

After assembly, pull up on seat to ensure it is properly secured to base.

Maximum tested weight is 60kg.

**Suffocation Hazard:** Never use on a soft surface (bed, sofa, cushion), as product may tip over and cause suffocation.

This product does not replace a cot or a bed. Should your child need to sleep, then it should be placed in a suitable cot or bed.

This product is not intended for prolonged periods of sleeping.

**DO NOT** carry by holding the seat frame.

**DO NOT** use accessories or replacement parts other than those approved by the manufacturer.

**DO NOT** use the reclined cradle if any components are broken or missing.

**NEVER** leave the child unattended.

**NEVER** lift or carry baby while in this product.

**NEVER** use the toy bar to carry the reclined cradle.

### **Stage One: With Harness**

For use from birth until the child can sit upright or can climb out unassisted.

Do not use the reclined cradle once your child can sit unaided. (approximately 6 months) and is unable to walk.

**FALL HAZARD** To prevent falls, stop using the product when infant:

- Begins to roll over, or
- Can pull up on sides (approximately 6 months).

**ALWAYS** use on floor. It is dangerous to use this reclined cradle on an elevated surface, e.g. a table.

**ALWAYS** use the restraint system. Adjust to fit snugly.

Strings can cause strangulation! **DO NOT** place items with a string around a child's neck, such as hood strings or pacifier cords. **DO NOT** suspend strings over product or attach strings to toys.

### **Stage Two: Without Harness**

**ANY** recline position can be used.

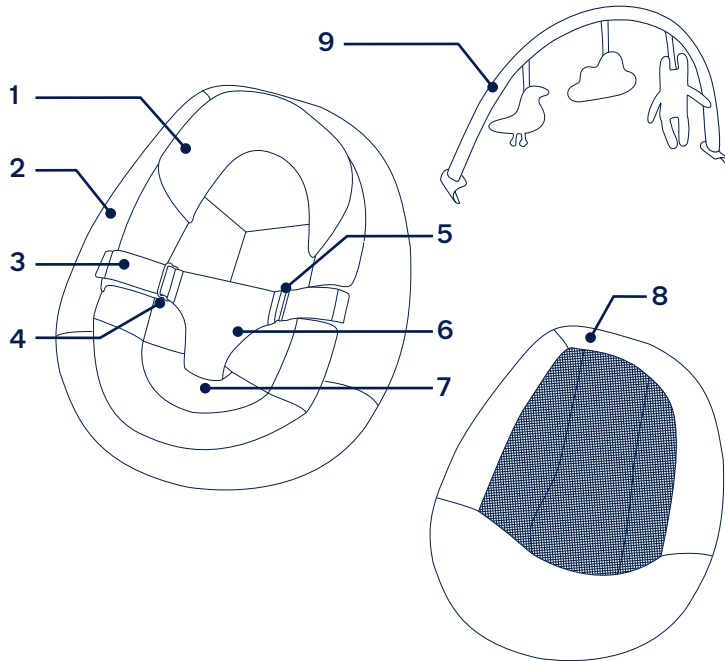
For use as a chair when the child is able to walk.

Discontinue stage two use when child reaches 60 kg.

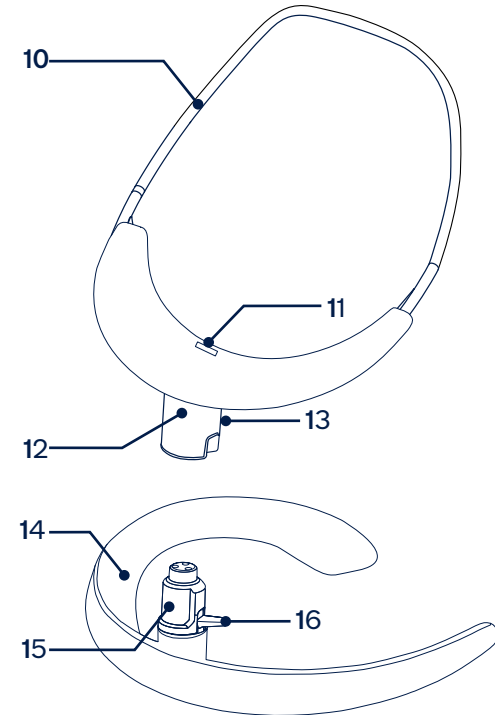
# Parts List

Make sure all parts are available before assembly.  
If any part is missing, please contact Nuna. No tools are required for assembly.

- |                  |  |
|------------------|--|
| 1 Infant Insert  | 6 Crotch Support   |
| 2 Seat Cover     | 7 Seat Cover Attachment Buckle<br>(located on the back inside of the seat cover) |
| 3 Harness Strap  | 8 Seat Pad   |
| 4 Harness Loop   | 9 Toy bar  |
| 5 Harness Buckle |  |



- |                               |                              |
|-------------------------------|------------------------------|
| 10 Seat Frame                 | 13 Recline Adjustment Button |
| 11 Seat Cover Attachment Hole | 14 Base                      |
| 12 Seat Mount                 | 15 Base Mount                |
|                               | 16 Motion Lock               |



## EN Product Set Up

- 1 - Align the seat mount with the base mount. Place the seat directly down until it clicks into place. A “click” sound means the seat and base are assembled completely. (1)

After assembly, pull up on the seat to ensure it is properly secured to the base.

## Stage One Use

Stage one can be used from birth until your child can sit upright or can climb out unassisted.

- 1 - To secure your child, lift the ends of the harness straps away from the seat cover to unfasten the hook and loop.(2)
- 2 - Remove the harness straps from the harness loops. (3)
- 3 - Fold down the crotch support. (4)
- 4 - Fit the harness snugly to your child by sliding the harness buckles, as needed. (5)

Place your child in the seat and reverse these steps to secure your child in the harness.

## Infant Insert

The infant insert can be used for stage one use to provide a better fit for smaller babies.

- 1 - To remove the infant insert, unbuckle the harness and route the harness straps through the infant insert holes. (6)

## Seat Cover

- ! Discontinue using the seat cover when the infant can sit upright, push up on hands and knees or climb out unassisted (age around 6 months).
- 1 - To remove the seat pad, flip the seat over, unfasten the hook and loop (7)-1 and detach the seat cover attachment buckle from the seat frame (7)-2.
  - 2 - Flip the seat over, and starting from the bottom, remove the seat cover from the seat pad. (8)
  - 3 - Slide the seat cover up, off the top of the seat pad. (9)

## Stage Two Use

- 1 - The seat pad alone is for use as a chair when your child is able to walk, up to 60 kg. (10)

## Seat Pad

- 1 - To remove the seat cover, flip the seat cover and pull off the velcro. (11)
  - 2 - Flip the seat over, and starting from the bottom, remove the seat pad from the seat frame (12)-1. Then, slide the seat pad up, off the top of the seat frame (12)-2.
- ! Discontinue stage two use when your child reaches 60 kg.

# Product Use

## Motion Lock

The motion lock provides continuous swaying for both stages of use.

- 1 - Pull the motion lock up to unlock the seat. (13)
  - 2 - Push the seat to sway. (14)
  - 3 - To lock the seat and stop movement, push the motion lock down. The seat will only lock in the center position. (15)
  - 4 - When transporting, lock the base and carry by holding between the seat and the base. (16)
- ! **NEVER** lift or carry baby while in this product.

## Recline

- 1 - There are three recline positions. (17)
- ! You **MUST** use the harness for stage one use.  
The harness is not required for stage two use.
- 2 - **ANY** recline position can be used for stage two use. (18)
  - 3 - To raise the recline, pull up on the top of the seat to release the connection (19)-1.
  - 4 - To lower the recline, press in on the recline adjustment button (19)-2 and adjust the seat to the desired recline position. A “click” sound means the recline position is engaged.

## Base

- 1 - To remove the seat from the base, insert a flat head screwdriver into the slot on the back of the seat mount, and press to disengage the connection. (20)

- 2 - Once the connection is disengaged, slide the seat off the base mount. (21)

! **DO NOT** detach the seat from the base by any other method.

## Accessory

### Toy Bar

- 1 - Attach the toy bar clips to each side of the seat frame. The Nuna logo on the toy bar clips should face up. (22)
- 2 - The assembled toy bar is shown (23).
- 3 - To wash the toy bar fabric, remove the toy bar fabric from the toy bar, pull the toy bar clips from each end of the toy bar. (24)-1
- 4 - Slide the fabric from the toy bar. (24)-2

## Cleaning and Maintenance

Refer to the care label attached to the soft goods for washing and drying instructions.

Clean the base and seat frame with a damp cloth and a mild detergent. Dry thoroughly. **DO NOT** use abrasives.

It is normal for fabric to color from sunlight and to show wear and tear after a long period of use, even when used normally.

For reasons of safety, only use original Nuna parts.

Check regularly if everything functions properly. If any parts are torn, broken, or missing, stop using this product.

NUNA International B.V. Nuna and all associated logos are trademarks.