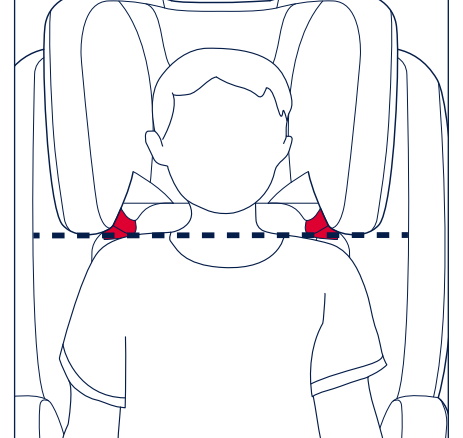
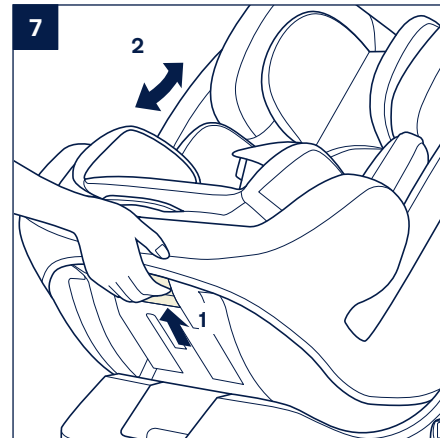
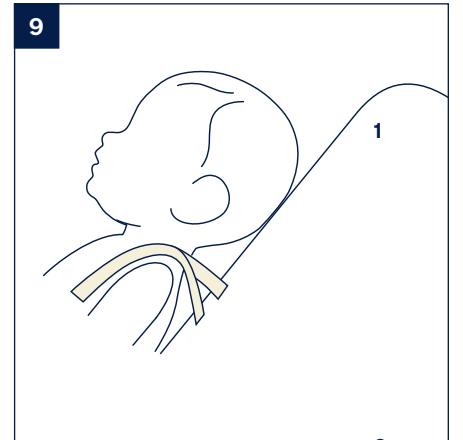
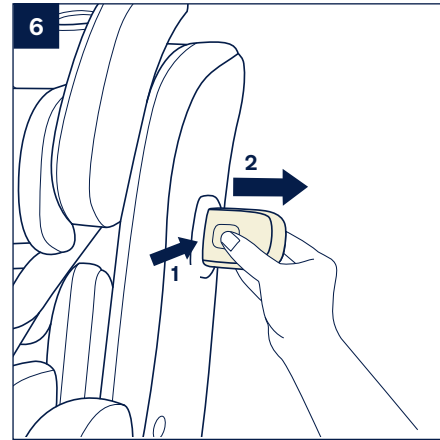
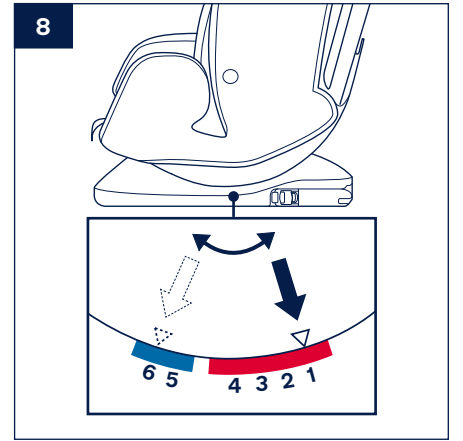
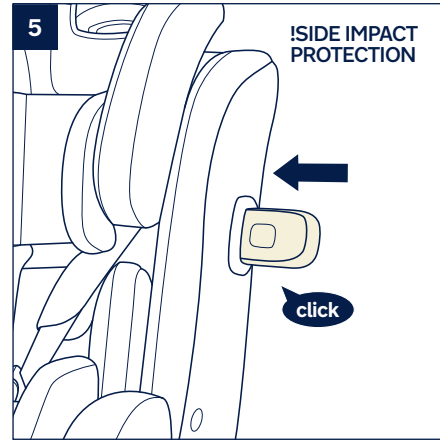
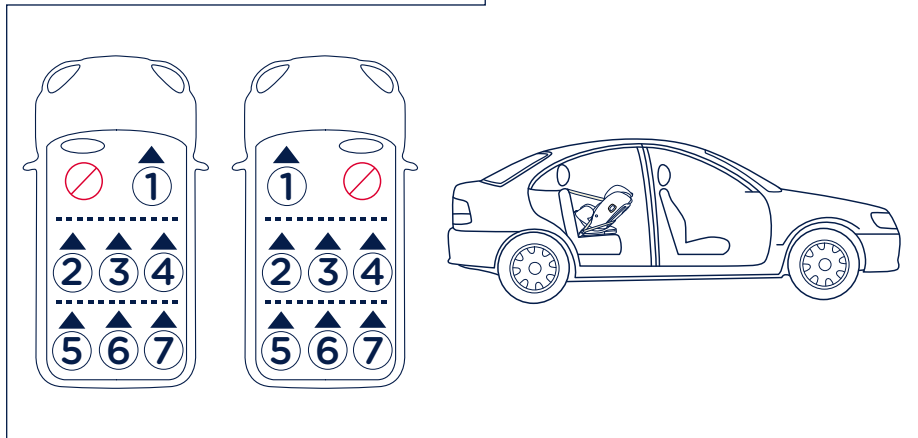
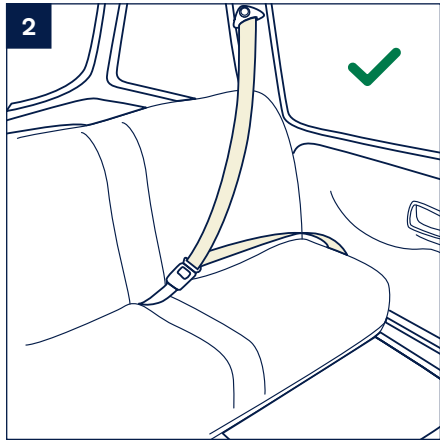
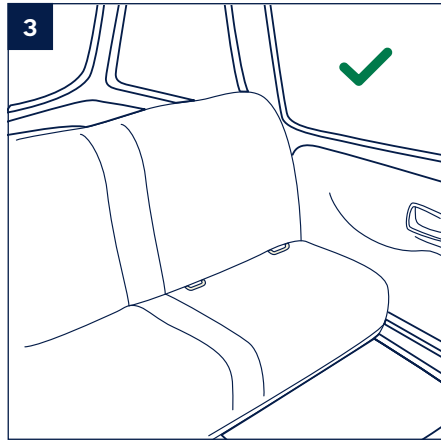
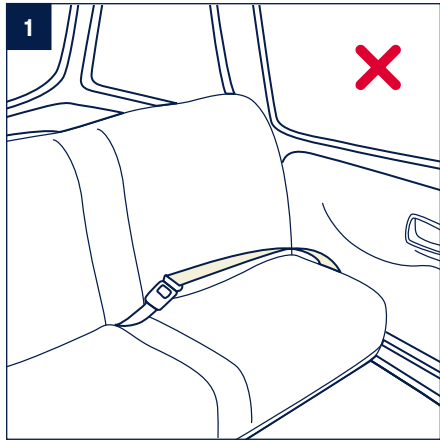
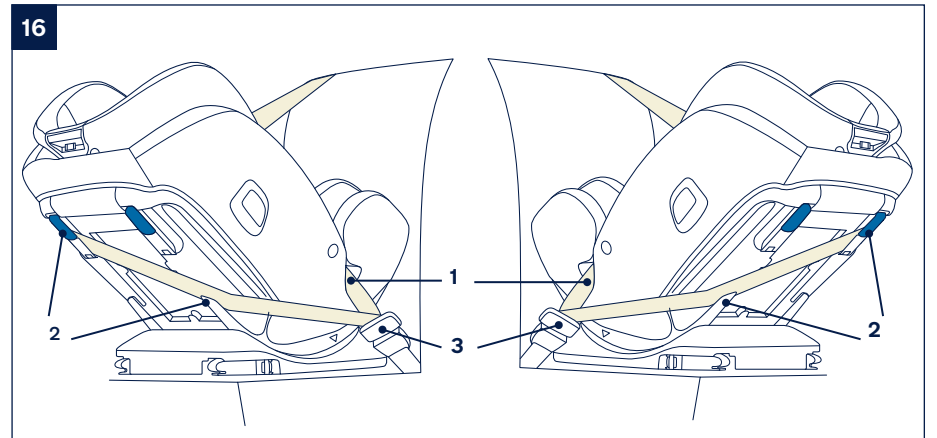
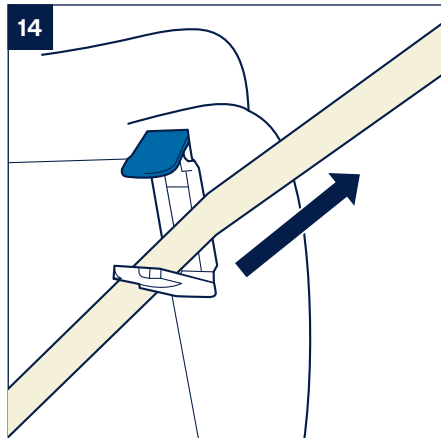
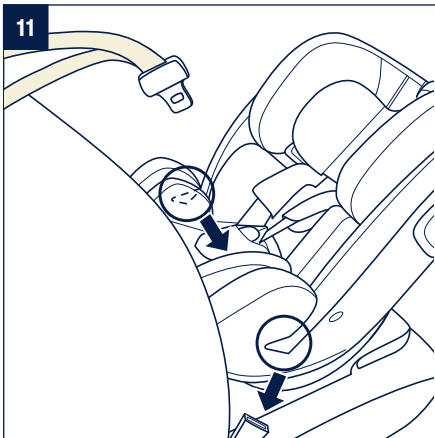
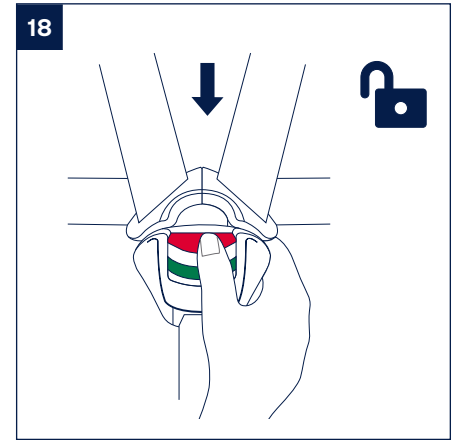
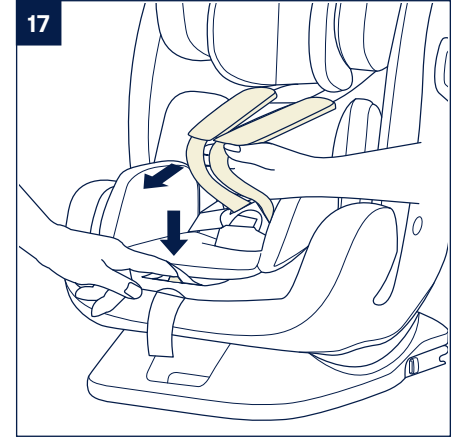
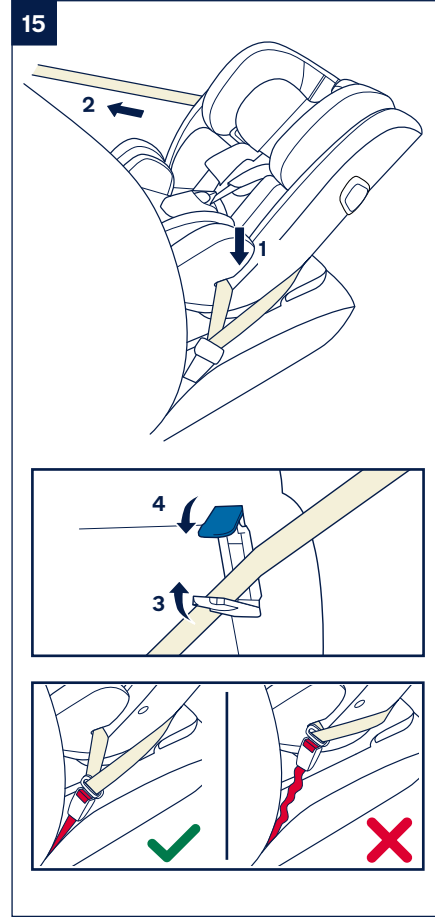
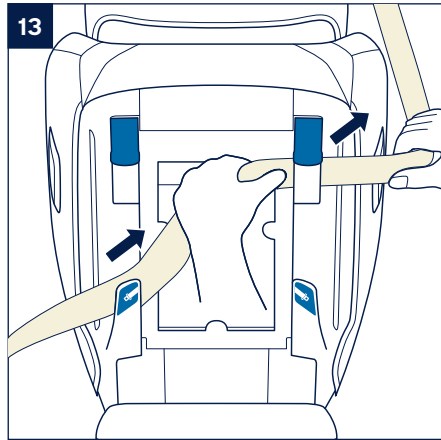
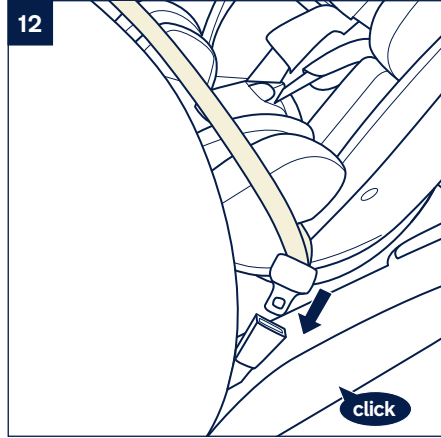
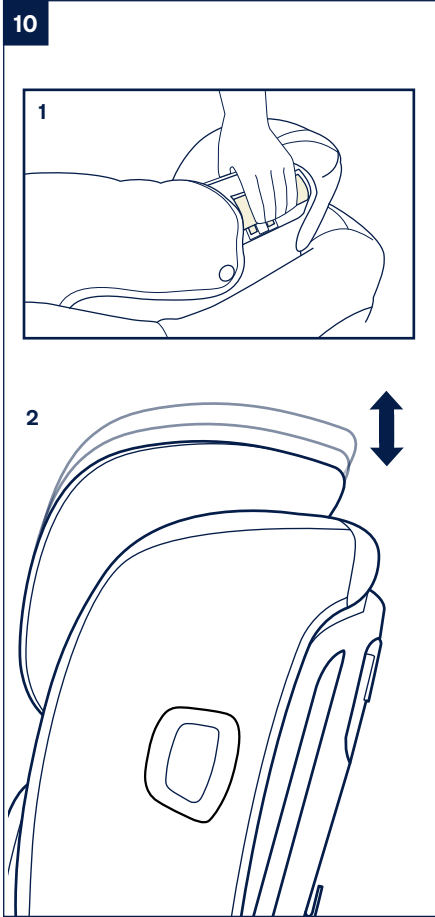
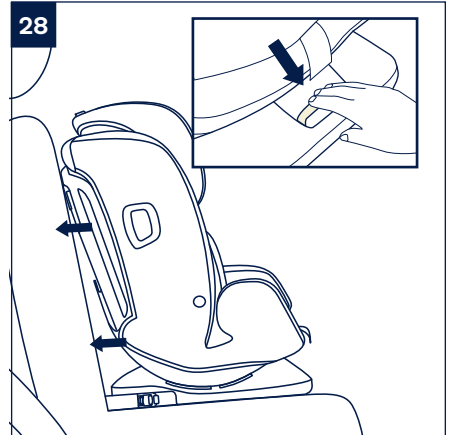
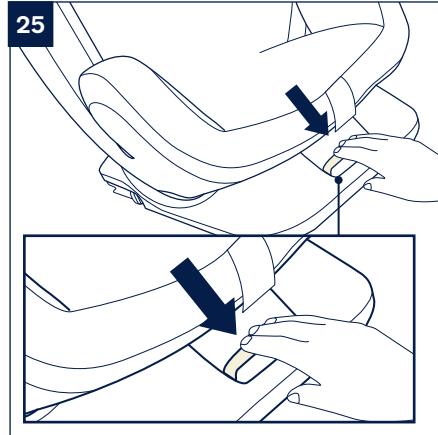
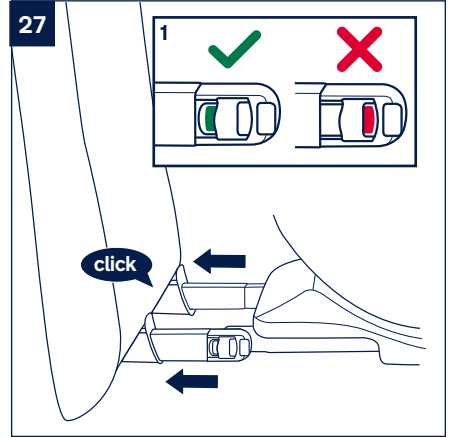
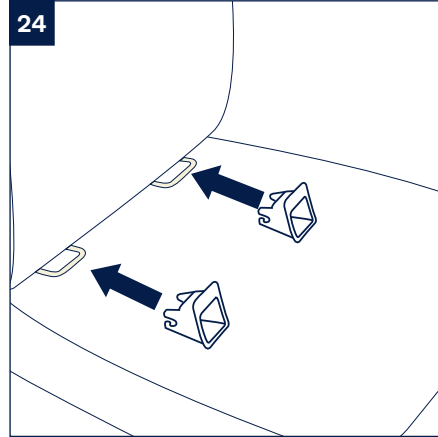
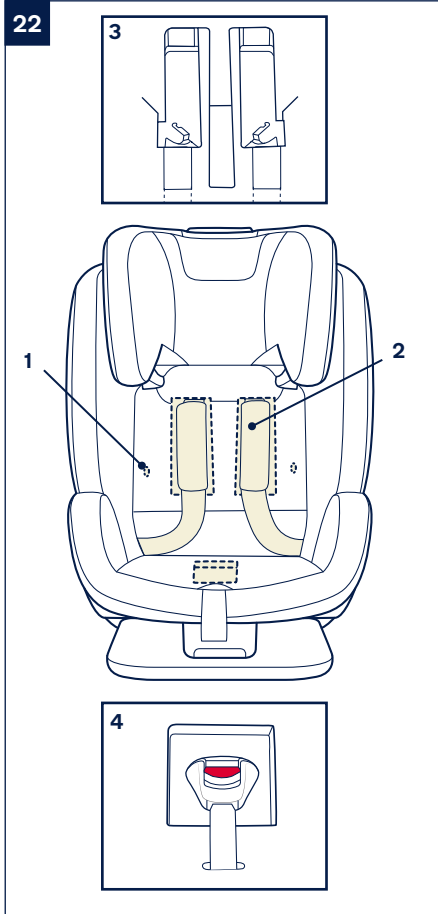
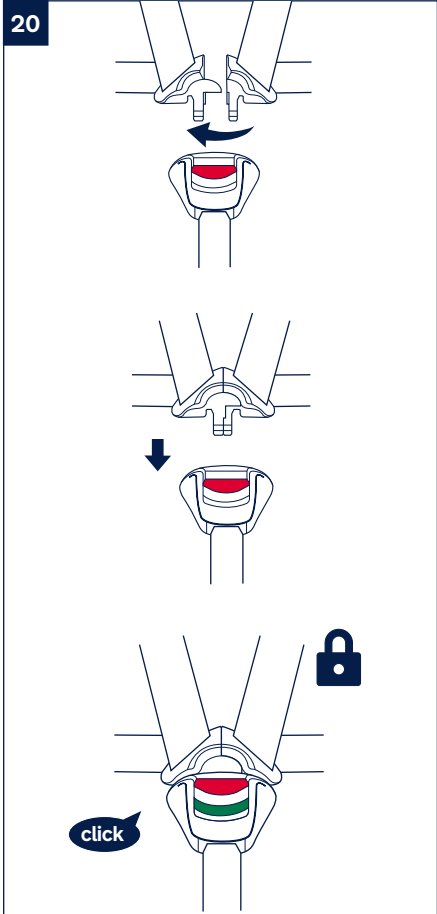
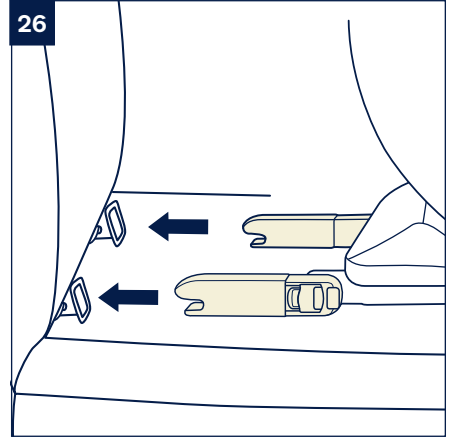
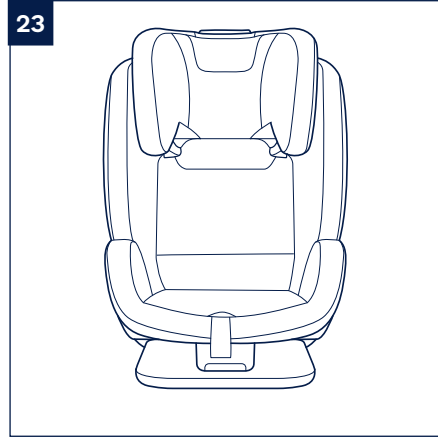
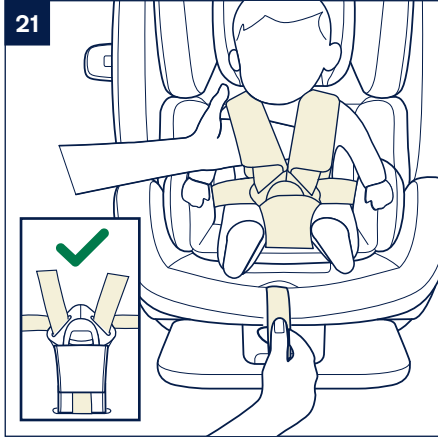
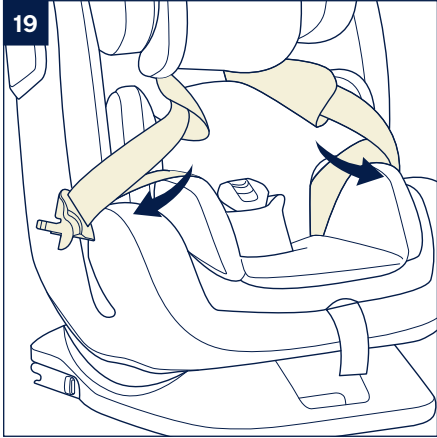
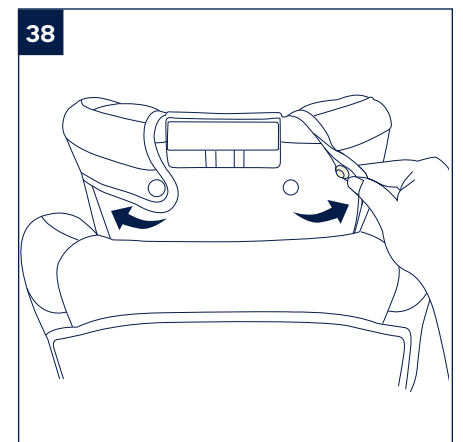
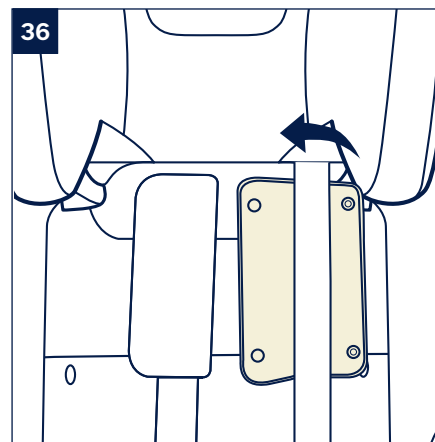
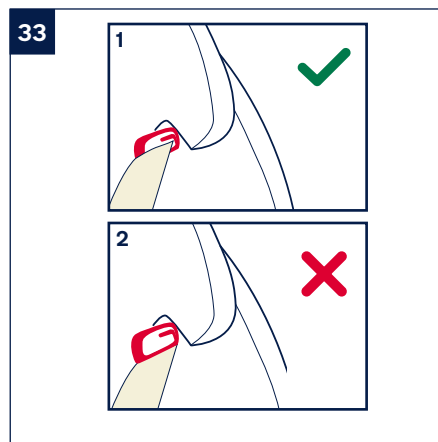
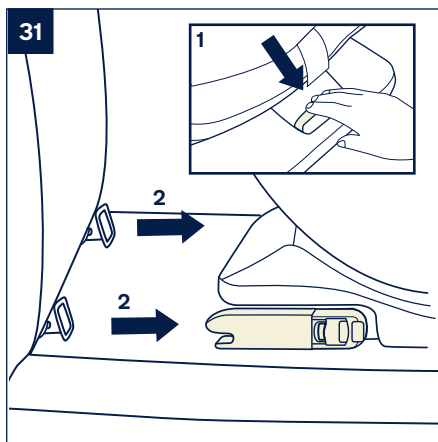
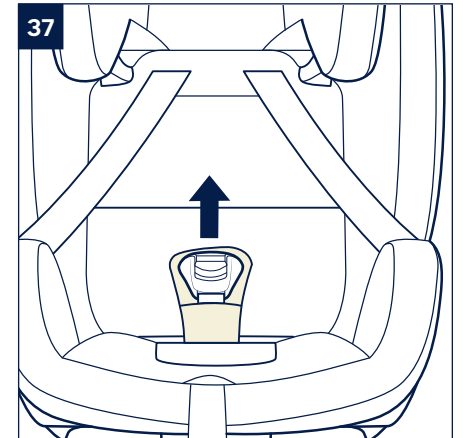
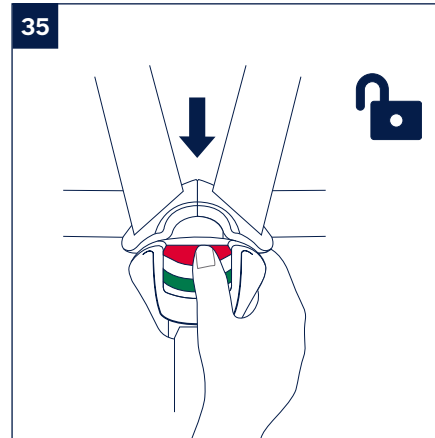
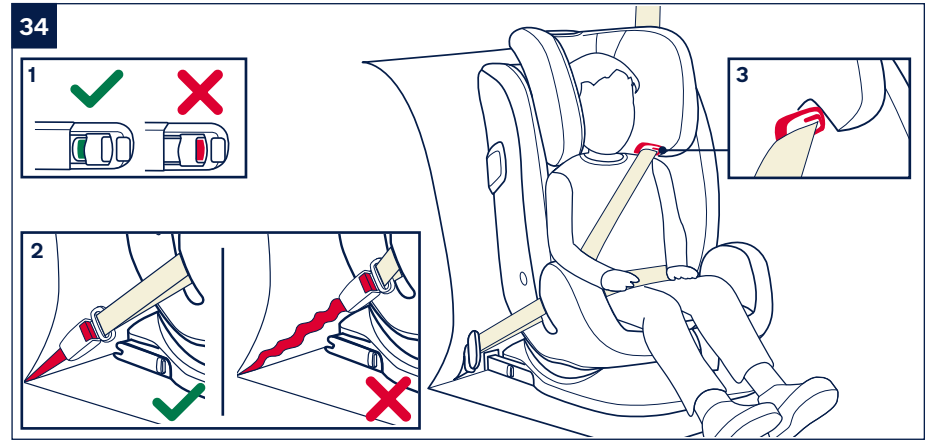
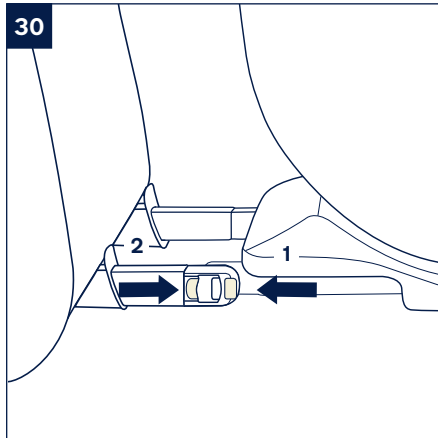
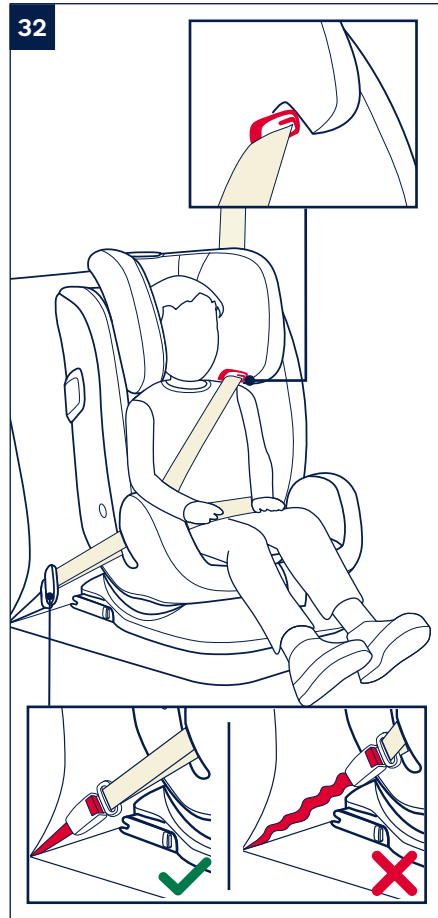
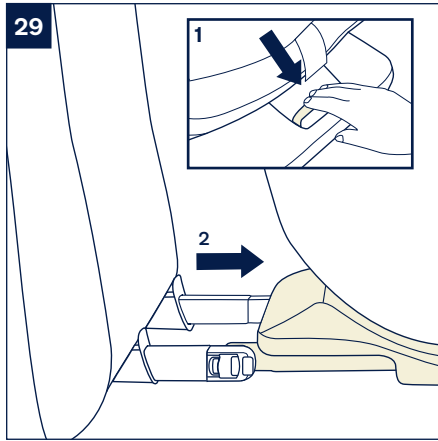


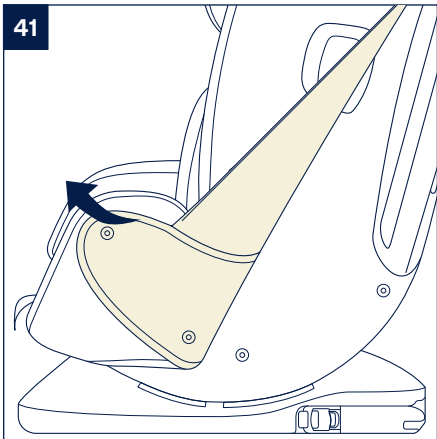
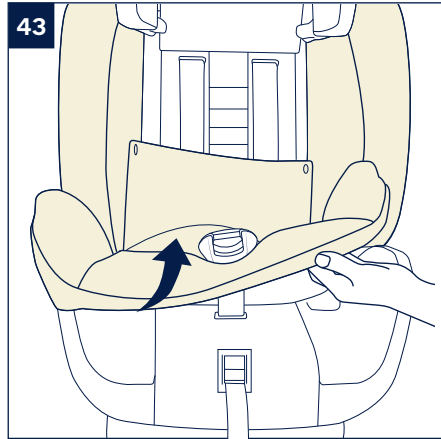
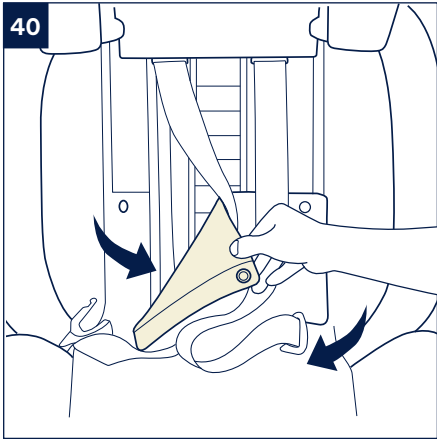
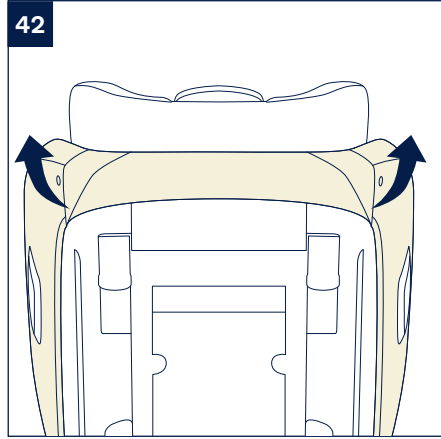
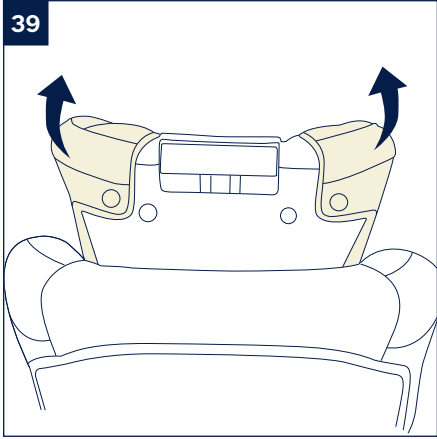
IMPORTANT!
KEEP THESE INSTRUCTIONS FOR
FUTURE REFERENCE:
READ CAREFULLY











Designed
around your life

Contents

Product information	3
Product Registration	
Warranty	
Contact	
Child Usage Requirements	4
Parts List	5
Warning	6
Product Set Up	7
Product Use	7
Detach and Assemble Soft Goods	11
Cleaning and Maintenance	11
Vehicle fitting information	12
繁中	13
简中	29



Product Information

Model Number: _____

Manufactured in (date): _____

Product Registration

Please fill in the above information. The model number and the manufactured in date are located on the back of the TRES lx.

To register your product please visit:

www.nunababy.com

Click the “Register Gear” link on the homepage.

Warranty

We have purposely designed our high-quality products so that they can grow with both your child and your family. Because we stand by our product, our gear is covered by a custom warranty per product, starting from the day it was purchased. Please have the proof of purchase, model number and manufactured in date available when you contact us.

For warranty information please visit:

www.nunababy.com

Click the “Warranty” link on the homepage.

Contact

For replacement parts, service, or additional warranty questions, please contact our customer service department.

info@nunababy.com

www.nunababy.com

In the United Kingdom:

infouk@nunababy.com

www.nunababy.com

NUNA International B.V.

Van der Valk Boumanweg 178 C

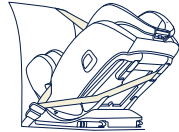

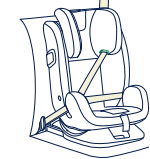
2352JD Leiderdorp

The Netherlands

Child Usage Requirements

This product is suitable for use with children who meet the following requirements:

! IMPORTANT - DO NOT USE FORWARD FACING BEFORE THE CHILD'S AGE EXCEEDS 15 MONTHS (Refer to instructions)

Child's Size	Installation Mode	Figure for Installation	Reference Age	Seat Position	Infant Insert Instructions
40cm-105cm/ ≤22kg	Rearward Facing Mode	 3-point-belt	<4 years	Position 5-6	We recommend using the full infant insert while the baby is under 60cm and can be used until they outgrow the insert. The infant insert increases side impact protection.
100cm-145cm/ 15-36kg	Forward Facing Mode	 3-point-belt or  3-point-belt and ISO Connector™	3 years to 12 years	Position 1-4	Remove infant insert and store harness in proper storage locations

Rearward Facing Mode

For installation with 3-point-belt

1 - This is an Universal Belted Enhanced Child Restraint System. It is approved according to UN Regulation No. 129, for use primarily in “Universal seating positions” as indicated by vehicle manufacturers in the vehicle user’s manual.

2 - If in doubt, consult either the Enhanced Child Restraint System manufacturer or the retailer.

Forward Facing Mode

For installation with 3-point-belt or 3-point-belt and ISO Connector™

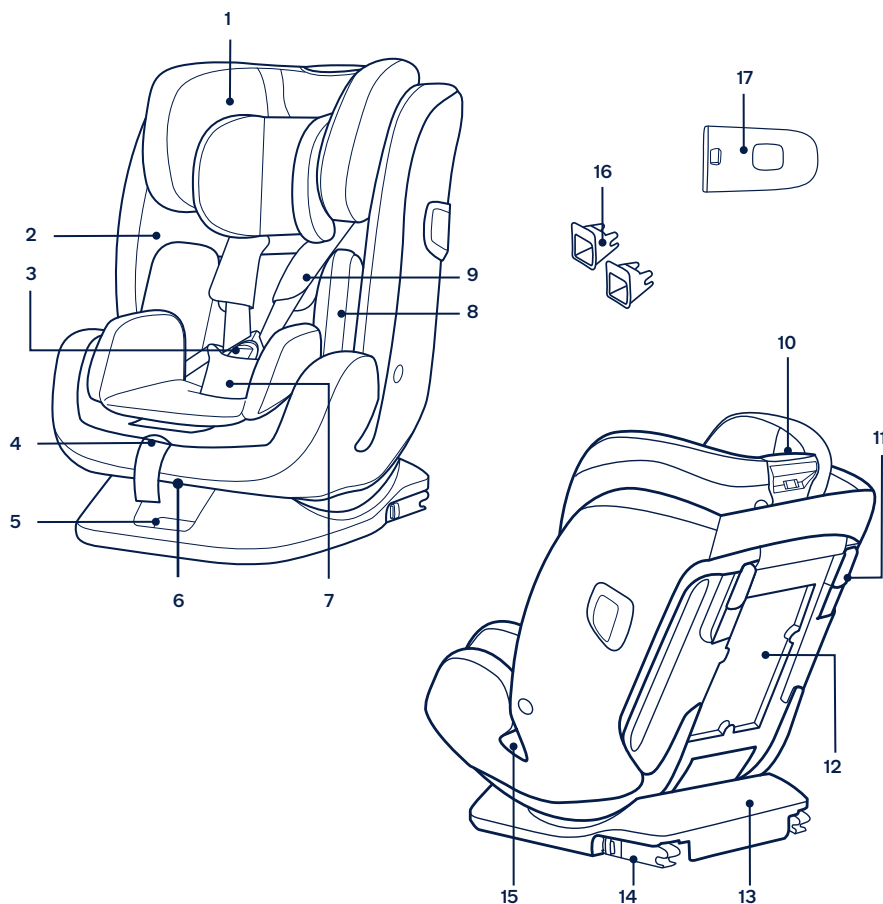
1 - This is an i-Size booster seat Enhanced Child Restraint System. It is approved according to UN Regulation No.129, for use primarily in “i-Size seating positions” as indicated by vehicle manufacturers in the vehicle user’s manual.

2 - If in doubt, consult either the Enhanced Child Restraint System manufacturer or the retailer.

3 - When the applicable height is 135cm-145cm, it belongs to “Specific vehicle booster seat”.

Parts List

- | | | | |
|---|--------------------------------|----|--|
| 1 | Head Support | 10 | Head Support Adjustment Lever |
| 2 | Seat Pad | 11 | Lock-off |
| 3 | Buckle | 12 | Instruction Manual Storage Compartment |
| 4 | Webbing Adjuster | 13 | Base |
| 5 | ISO Connector™ Adjuster Button | 14 | ISOFIX attachment (ISO Connector™) |
| 6 | Recline Adjustment Handle | 15 | Vehicle Lap Belt Slots |
| 7 | Crotch Harness Cover | 16 | ISO Connector™ Guides |
| 8 | Infant Insert | 17 | Side Impact Protection |
| 9 | Shoulder Harness Covers | | |



⚠ WARNING

DO BE cautious that the rigid items and plastic parts of the enhanced child restraint system shall be so located and installed that they are not liable to become trapped by a movable seat or in the door of the vehicle.

DO NOT use the rearward facing enhanced child restraint systems in seating positions where there is an active frontal airbag installed.

To use this enhanced child restraint according to the UN Regulation No.129, your child must meet the following requirements.

Rearward Facing:

Child height 40cm-105cm/ child weight max. 22 kg;

Forward Facing:

Child height 100cm-145cm

IMPORTANT - DO NOT USE FORWARD FACING BEFORE THE CHILD'S AGE EXCEEDS 15 MONTHS (Refer to instructions).

When used for stature heights between 135cm and 145cm (Booster seat) might not fit in all vehicles, due to a low position of the vehicle roof at the side.

The enhanced child restraint may not fit in all approved vehicles when used in one of these positions.

Any straps holding the enhanced child restraint to the vehicle should be tight. Any straps restraining the child should be adjusted to the child's body, and straps should not be twisted.

DO NOT use any load bearing contact points other than those described in the instructions and marked on the enhanced child restraint.

After your child is placed in this enhanced child restraint, the safety belt must be used correctly. Ensure that any lap strap is worn low down, so that the pelvis is firmly engaged, shall be stressed.

This enhanced child restraint should be replaced when it has been subject to violent stresses in an accident. An accident can cause damage to it that you cannot see.

Consider the danger of making any alterations or additions to the device without approval of the adequate authority, and the danger of not following closely to the installation instructions provided by the enhanced child restraint manufacturer.

Please keep this enhanced child restraint away from sunlight, otherwise it may be too hot for child's skin. Always touch the enhanced child restraint before placing child in it.

DO NOT leave your child unattended in the enhanced child restraint system.

Any luggage or other objects liable to cause injuries in the event of a collision shall be properly secured.

The enhanced child restraint system shall **NOT BE USED** without the soft goods.

The soft goods should not be replaced with any other than the one recommended by the manufacturer, because the soft goods constitutes an integral part of the restraint performance.

Please check if this enhanced child restraint can be installed properly in your vehicle before you purchase it.

NO enhanced child restraint can guarantee full protection from injury in an accident. However, proper use of this enhanced child restraint will reduce the risk of serious injury or death to your child.

DO NOT install this enhanced child restraint without following the instructions in this manual or you may put your child at serious risk of injury or death.

DO NOT use this enhanced child restraint if it has damaged or missing parts.

DO NOT have your child in large/oversized clothes because this may prevent your child from being properly and securely fastened by the shoulder harness straps and the crotch strap between the legs.

Product Set Up

Installation Concerns

DO NOT install this enhanced child restraint on vehicle seats with lap belts only. **(1)**

This enhanced child restraint is suitable for vehicle seats with a 3-point retractor safety belt. **(2)** If your vehicle has ISOFIX anchor points, we recommend that you connect the ISO Connector™ attachment to the ISOFIX anchor points (Forward Facing Mode). **(3)**

DO NOT use the rearward facing system on the passenger seat with activated frontal airbag. **(4)** Death or serious injury may occur. Please reference vehicle owner's manual for more information.

DO NOT install this enhanced child restraint on vehicle seats that face sideways or rearward with respect to the moving direction of the vehicle.

Please refer to your vehicle owner's manual for recommended or suggested installation positions.

This enhanced child restraint must be installed in the rear vehicle seat. **(4)**

DO NOT install this on movable vehicle seats during installation.

Product Use

Use Side Impact Protection

- 1 - The enhanced child restraint is delivered with detachable side impact protection. This side impact protection must be used on the door side of the vehicle for best protection. It must be connected on the outside of the enhanced child restraint. Installation shown in fig **(5)**.
- 2 - Press the release button to remove side impact protection. **(6)**

Recline Adjustment

- 1 - Press the recline adjustment handle, and adjust the enhanced child restraint to the proper position. **(7)**
- 2 - The recline angles are shown as **(8)**.
 - ! There are two recline angles 5-6 for rearward facing mode.
 - ! There are four recline angles 1-4 for forward facing mode.

Align the top reclining indicator with the bottom numbers for the desired recline position.

Height Adjustment for Head Support and Shoulder Harnesses

Please adjust the head support and shoulder harnesses to proper height according to the child's height.

- ! When used in rearward facing mode, the shoulder harness slots must be even with or just below the child's shoulders. **(9)-1**

If the shoulder harnesses are not at proper height, the child may be thrown from the enhanced child restraint in case of an accident.
 - ! When used in forward facing mode, the shoulder belt guides must be even with or just above the child's shoulders. **(9)-2**
- Squeeze the head support adjustment lever **(10)-1**, meanwhile pull up or push down the head support until it clicks into one of the 10 positions.
- The head support positions are shown as **(10)-2**.
- ! As the headrest is adjusted up (from 6th-9th position), the sides of the child restraint automatically move outward to provide more shoulder room.

Rearward Facing Mode

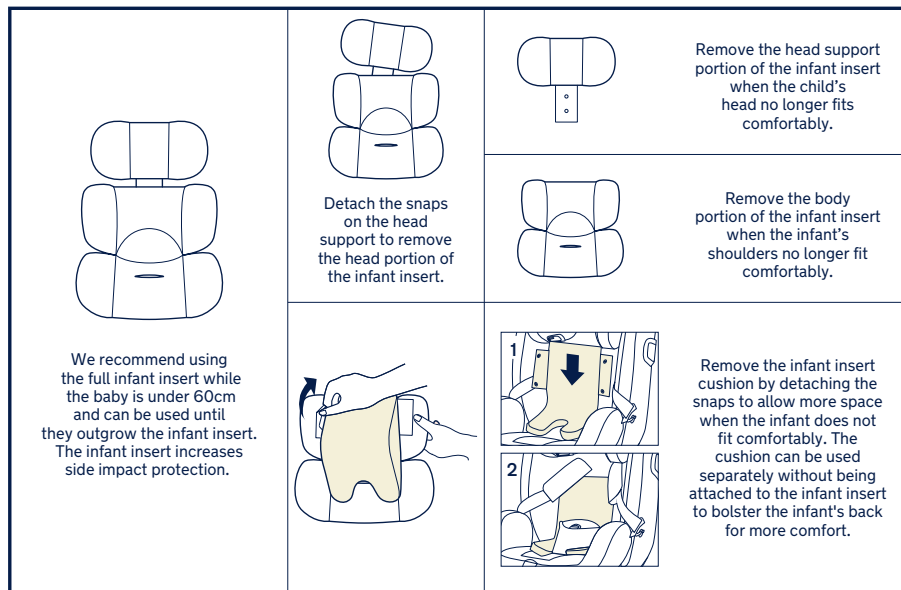
(Child height 40cm-105cm/ Child weight ≤ 22kg)

- ! Please install the enhanced child restraint on the rear vehicle seat, and then put the child in the enhanced child restraint.

Installation for Rearward Facing Mode

- ! Please adjust the enhanced child restraint to the desired recline position (2 positions for rearward facing mode). Align the top reclining indicator with one of the bottom white numbers.
 - ! Make sure the shoulder harness is adjusted to proper height before installing this enhanced child restraint.
 - ! When installing and adjusting the safety belts, make sure that both the shoulder belt and the lap belt are not twisted and will not stop the safety belts from functioning properly.
- 1 - Pass the vehicle lap belt through the vehicle lap belt slots, then engage the vehicle buckle tongue into the buckle. **(11)(12)**
 - ! Vehicle lap belt must pass underneath infant insert.
 - 2 - Pass the vehicle shoulder belt through the two rear-facing vehicle belt slots at the back of the enhanced child restraint. **(13)**
 - ! Open the belt lock off and insert the shoulder belt through it. **(14)**
 - ! Ensure the belt lock off is completely closed when not in use to prevent injury, or damage to vehicle upholstery.
 - 3 - Press the enhanced child restraint down firmly and pull the vehicle shoulder belt to fasten the enhanced child restraint securely. **(15)-1(15)-2**
 - ! Ensure to close the lock-off after checking the enhanced child restraint is securely fastened. **(15)-3(15)-4**
 - ! Keep your fingers off when closing the lock-off clips to avoid injury.
 - ! The enhanced child restraint can not be used if the vehicle safety belt buckle (female buckle end) is too long to anchor the enhanced child restraint securely.
 - ! Double check that the enhanced child restraint is securely installed and does not move on the vehicle seat.
- Correctly assembled vehicle belt is shown as **(16)**
- ! Ensure that the vehicle lap belt passes through the vehicle lap belt slot. **(16)-1**
 - ! Ensure that the vehicle shoulder belt passes through the rear-facing vehicle belt slot. **(16)-2**
 - ! The vehicle buckle tongue is engaged with the buckle correctly, as **(16)-3**.

Securing your Child in the Enhanced child restraint Use infant insert



- 1 - While pressing the harness adjustment button, pull completely the two shoulder harnesses of the enhanced child restraint. (17)
- 2 - Press the button to disengage the buckle. (18)
- 3 - Place the buckle tongues against the magnetic area on the outer side of the child restraint so that the tongues are held in place. (19)
- 4 - Engage the buckle.
The green indicator shows that it has been buckled in place. (20)
- 5 - Pull the adjustment webbing toward you to adjust it to the proper length and make sure your child is snugly secured. (21)
 - ! After the child is seated, recheck whether the shoulder harnesses are at the proper height.
 - ! Always keep child secured in harness and properly tightened by removing any slack.

Forward Facing Mode

(Child height 100cm-145cm)

Installation for Forward Facing Mode

- ! When using in the forward facing mode, please remove the infant insert, and place the shoulder harness straps, buckle and buckle tongues in the harness hideaway storage compartments.
- ! Please adjust the shoulder harnesses to proper length before storing the shoulder straps and buckle in their storage compartments.
- ! Please adjust the enhanced child restraint to the desired recline position. (4 positions for forward facing mode). Align the top reclining indicator with one of the bottom white numbers.
- ! While using and adjusting the vehicle seat belt, check that there are no twists in the vehicle seat belt that could cause your child fastened incorrectly.

- 1 - Press the button to disengage the buckle as (18).
- 2 - Remove Crotch Strap as shown in (37) and then the infant insert.
 - ! When installing the enhanced child restraint in the forward facing mode, do not use the infant insert.
- 3 - Detach the snaps. (22)-1
- 4 - Lift the upper flap upward and pull the lower flap forward, and then store the shoulder straps in their storage compartments. (22)-2(22)-3
- 5 - Pull the buckle to the back of the seat pad, and then store the buckle and buckle tongues in respective storage compartments. (22)-4
- 6 - Reattach the snaps to recover the seat pad. The recovered seat pad is shown as (23).

Installing ISO Connector™ attachments

- 1 - Insert ISO Connector™ attachment guides to assist with installation. The ISO Connector™ attachment guides can protect the surface of the vehicle seat from being torn. (24)
- 2 - Extend the ISO Connector™ attachments by pressing the adjustment button (25) and pulling out the attachments. (26)
 - ! Make sure that both ISO Connector™ attachments are securely attached to their ISOFIX anchor points. The colors of the indicators on both ISO Connector™ attachments should be completely green. (27)
 - ! The ISO Connector™ attachments must be attached and locked onto the ISOFIX anchor points.
 - ! Check to make sure the enhanced child restraint is securely installed by pulling on the both ISO Connector™ attachments.
- 3 - Press the ISO Connector™ adjustment button and push the enhanced child restraint back against the vehicle seat until tight. (28)

Removing and storing ISO Connector™ attachments

- 1 - To remove from the vehicle, press the ISO Connector™ adjustment button (29)-1 and pull the base away from the seat. (29)-2
- 2 - To release the ISO connectors from the vehicle's ISOFIX anchor points, press and hold the front button, while you press the back one. (30)
- 3 - To retract the ISO Connector™ attachments into the base press the ISO Connector™ adjustment button. (31)

Securing the child in the child restraint system

- 1 - Please check whether the vehicle shoulder belt guides are at proper height when the child is in the enhanced child restraint.
- 2 - Position the shoulder belt through the shoulder belt guide and pass the lap belt through the vehicle lap belt slots. Engage the vehicle buckle and pull the vehicle belt to make sure it is tightened. (32)(33)
 - ! Shoulder belt must pass through shoulder belt guide.
 - ! Lap belt must pass through lap belt slots.
 - ! NEVER use a 2-point vehicle belt (lap-belt only) to secure your child.
 - ! DO NOT use shoulder belt loose or positioned under arm.
 - ! DO NOT use shoulder belt behind child's back.
 - ! DO NOT allow child to slide down in the enhanced child restraint in case of strangulation.

With vehicle belt (3-point belt) and ISO Connector™

- 1 - Installing ISO Connector™ attachments is showing in fig (24) - (28).
- 2 - Place the child in the enhanced child restraint and check whether the shoulder belt guides are at proper height.
- 3 - Position the shoulder belt through the shoulder belt guide and pass the lap belt through the vehicle lap belt slots. Engage the vehicle buckle and pull the vehicle belt to make sure it is tightened. (32)(33)
- 4 - Correctly assembled 3-point-belt and ISO Connector™ attachment is shown as (34).
 - ! Make sure that both ISO Connector™ attachments are securely attached to the vehicle's ISOFIX anchor points. The colors of the indicators on both ISO Connector™ attachments should be completely green. (34)-1
 - ! Check to make sure the enhanced child restraint is securely installed by pulling on both ISO Connector™ attachments.
 - ! Shoulder belt must pass through shoulder belt guide. (34)-3
 - ! Lap belt must pass through lap belt guides.
 - ! The enhanced child restraint can not be used if the vehicle safety belt buckle (female buckle end) is too long to anchor the enhanced child restraint securely. (34)-2
 - ! NEVER use a 2-point vehicle belt (lap-belt only) to secure your child.
 - ! DO NOT use shoulder belt loose or positioned under arm.
 - ! DO NOT use shoulder belt behind child's back.
 - ! DO NOT allow child to slide down in the enhanced child restraint in case of strangulation.

Detach and Assemble Soft Goods

See images (35) - (43)

To assemble soft goods, reverse the steps above.

Cleaning and Maintenance

Please store it somewhere that the child can not access it.

Please wash the soft goods with cold water under 30°C.

DO NOT iron the soft goods.

DO NOT bleach or dry clean the soft goods.

DO NOT use undiluted neutral detergent, gasoline or other organic solvent to wash the enhanced child restraint. It may cause damage to the enhanced child restraint.

DO NOT twist the soft goods to dry with great force. It may leave the soft goods with wrinkles.

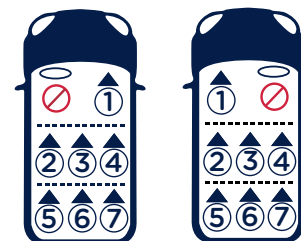
Please hang dry the soft goods in the shade.

Please remove the enhanced child restraint from the vehicle seat if not in use for a long period of time.

Vehicle fitting information

The numbers on the diagram below correspond with the vehicle fitting positions listed in the following pages.

! DO NOT USE position ① in TAIWAN area.



Before you purchase the vehicle, check that it is equipped with the appropriate anchorages.



ALWAYS give priority to the rear seats of your vehicle.

DO NOT fit your child restraint onto a vehicle seat fitted with an airbag, unless it can be, and is deactivated.

Death or serious injuries can be caused by an activated AIRBAG system.

DO NOT use forward facing mode before the child's weight exceeds 15kg.

- Your child restraint can be fitted.
- x Your child restraint can not be fitted.
- ⚡ Electric or hybrid vehicles.

If your vehicle is not listed in this manual or it is not marked with either a • or x then please refer to your vehicle's handbook or contact the manufacturer for further information.

請妥善保存本說明書以備 不時之需!

使用產品前請仔細閱讀本說明書，並妥善保存以供日後參照。不依照本說明書的指示操作，可能會影響到您寶寶的安全。

目錄

產品資訊	15
保固與售後服務	15
保固條件	15
聯絡我們	15
兒童使用要求	16
安全須知與注意事項	17
產品組件及各部件名稱	18
警告	19
產品安裝	21
產品使用	21
維修與保固	26
汽車安裝資訊	27

產品資訊

產品名稱：_____

生產日期：_____

保固與售後服務

產品於保固期間內發生問題，請與零售商聯絡；若零售商無法提供服務，他們會聯絡當地的Nuna經銷商。請留意產品背後的產品型號與生產日期序號。當有保固需求時，請提供以上產品資訊。請至www.nunababy.com網站登記您購買的產品。

保固條件

保固始於產品購買日。我們提供維修服務，但不提供產品退換。保固期限不會因零件更換或維修而延長。Nuna有權利針對產品進行改善設計，此前製造的產品則無更換義務。

相關保固資訊，詳見官網：www.nunababy.com

聯絡我們

我們期望不斷改進並開發新的產品，請隨時告知您對Nuna產品的意見和建議。

info@nunababy.com

www.nunababy.com

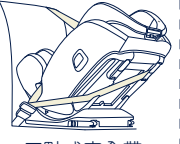
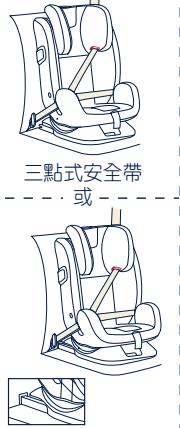
產品名稱 汽車用兒童保護裝置
產品型號 TRES lx
適用範圍 36kg(約12歲)以下的寶寶
質量等級 0+級、I級、II級、III級
主要材質 塑膠、五金、布
原產地 中國



委製商 巧兒宜國際股份有限公司
進口商 巧兒宜國際股份有限公司
地址 台北市內湖區瑞光路431號2樓
電話 02-27973000
統一編號 52603333

代理商 杏豐實業股份有限公司
地址 台北市中華路一段59號10樓之1
電話 02-66358858
統一編號 16998578

兒童使用要求

您的孩子必須完全符合以下要求，才可以使用本產品：
！重要一當兒童體重未達到15kg之前請勿將兒童以前向安裝方式使用(詳細請參考使用說明書說明)。

寶寶體重	安裝模式	安裝圖示	參考年齡	座椅段位	小座墊使用說明
<18kg	後向模式	 三點式安全帶	<4歲	第5-6段	0-9個月的寶寶需使用小座墊。小座墊可輔助安全帶綁緊寶寶並讓寶寶背部躺平，避免脊椎彎曲。
15-25kg	前向模式	 三點式安全帶 或 三點式安全帶+ ISO Connector™	3-9歲	第1-4段	請勿使用小座墊

寶寶體重	安裝模式	安裝圖示	參考年齡	座椅段位	小座墊使用說明
22-36kg	前向模式	 三點式安全帶 或  三點式安全帶+ ISO Connector™	10-12歲	第3段	請勿使用小座墊

安全須知與注意事項

此兒童保護裝置適用符合CNS 3972或其他等效標準之三點式安全帶(不含兩點式安全帶)之車輛座椅上。台灣區域使用請依照CNS標準規範。

3點式安全帶安裝兒童保護裝置

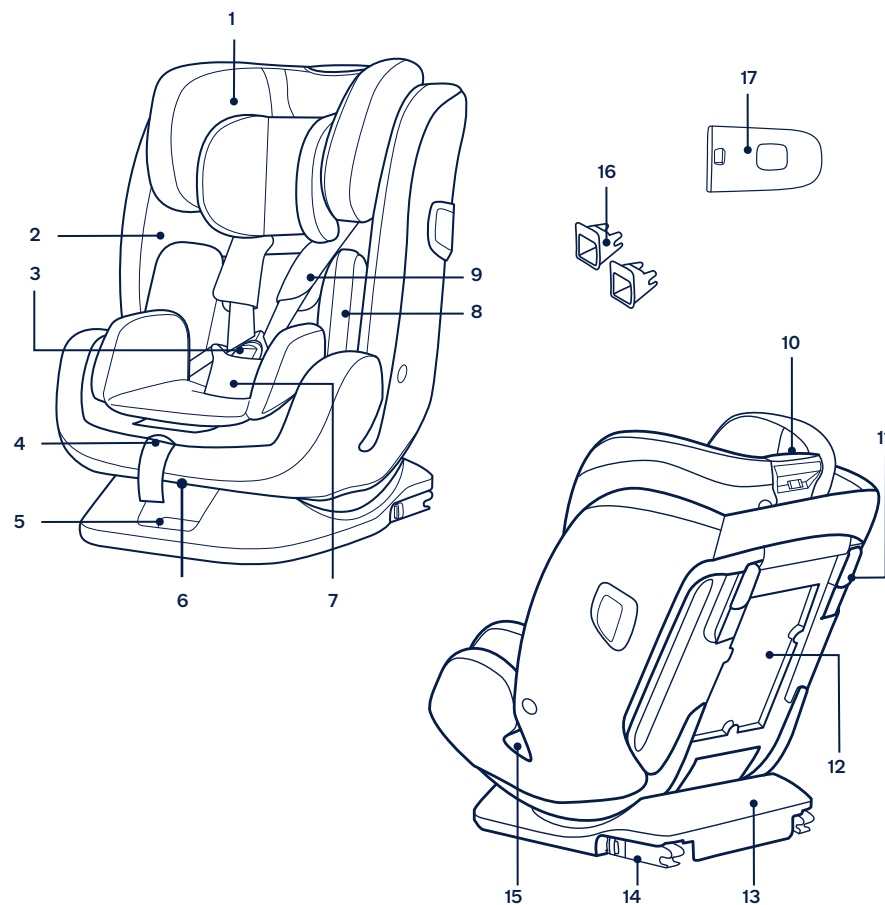
- 1 此為“通用型”兒童保護裝置，符合標準CNS 11497。其適用大部分(並非全部)之車輛座椅。
- 2 若車輛製造商在車主使用手冊中述明其可適用此質量等級之通用型兒童保護裝置，則本裝置可安裝於該車輛上。
- 3 此兒童保護裝置歸類為通用型，比其他無標示此注意事項之兒童保護裝置可適用於較多車輛。
- 4 若有疑問，請洽兒童保護裝置製造商或進口商。

ISO Connector™ 連結裝置和 3 點式安全帶安裝兒童保護裝置

- 1 此兒童保護裝置被歸類為“半通用型”，適用車輛座椅位置之安裝。
- 2 其他車輛型式亦有可能適用此兒童保護裝置。若有疑問，請洽兒童保護裝置製造商或進口商。

產品組件及各部位名稱

- | | |
|-----------------------|-----------------------|
| 1 頭靠 | 10 頭靠調整拉桿 |
| 2 座墊 | 11 後向固定夾器 |
| 3 安全扣 | 12 說明書存放處 |
| 4 調整織帶 | 13 底座 |
| 5 ISO Connector™ 調整按鈕 | 14 ISO Connector™ 連接器 |
| 6 角度調整手把 | 15 座椅卡槽 |
| 7 胯帶護片 | 16 ISO Connector™ 導向器 |
| 8 小座墊 | 17 側撞防護盾 |
| 9 肩帶護片 | |



警告

必須小心定位和安裝兒童保護裝置，以免被可移動車輛座椅或車門卡住。

對後向兒童保護裝置，不得使用於裝置空氣囊之車輛座椅位置。

兒童保護裝置適用於體重**36kg**(約12歲)以下的兒童。

在寶寶體重未滿**15kg**前，不要前向使用，過小的寶寶前向使用是非常危險的。

前向安裝勿提供**2歲**以下兒童乘坐，超過**2歲**兒童，仍宜儘量使用後向安裝。

任何束縛兒童保護裝置至車輛之織帶應束緊，任何束縛兒童之織帶應根據兒童身體進行調整，且此織帶不應扭曲。

將寶寶放在本兒童保護裝置後，必須正確的扣合及使用兒童保護裝置安全帶，並確保腰部織帶佩戴時能有效束縛骨盆部位。

本兒童保護裝置若於意外中遭受劇烈撞擊後，不可繼續使用，應立即更換兒童保護裝置。意外可能導致兒童保護裝置產生潛在危險。

請勿擅自改造本兒童保護裝置，或使用其他廠商生產的零件來配合本兒童保護裝置使用，會對寶寶造成危險。沒有認證許可的產品和經過改裝的產品是危險的，並且附近沒有製造商提供的安裝說明也是很危險的。

請讓兒童保護裝置遠離日光，以免產品溫度過高對兒童的皮膚造成傷害。

在無人照料下，不得讓兒童留在兒童保護裝置內。

任何行李或其他可能在碰撞中造成傷害之物品應適當牢固。

當本兒童保護裝置沒有座布時，請勿使用，因座布為兒童保護裝置束縛性能之整體構成要件。請勿使用非本製造商推薦的座布，否則會影響兒童安全座椅的總體性能。

不可使用除使用說明書中所標註以外之其他受力點。

請勿使用其它廠商生產的兒童保護裝置座墊。請與進口商聯繫只可使用Nuna配件更換零件。

不正確使用或安裝本兒童保護裝置，當緊急剎車和急轉彎時，可能會導致嚴重受傷或死亡的危險。

有關零件更換或維修問題，請向進口商諮詢。

請勿使用說明書中未有顯示的任何配件。

請勿將未使用汽車安全帶固定住的兒童保護裝置留在車內，以免緊急剎車時，傷害到其他乘客。若不經常使用兒童保護裝置時，請將其搬離汽車座椅。

請勿使用已經損壞或缺失零件的兒童保護裝置。請勿使用切割過的、磨損的或損壞的兒童保護裝置。

請勿把本兒童保護裝置當作平常的椅子使用，會容易翻倒造成傷害。

不可使用繩子等其他物件代替汽車安全帶，以免兒童被意外勒住。

請勿讓您的寶寶穿過大的衣物，所穿的衣物必須能讓兒童保護裝置的安全帶適當而安全地扣在寶寶兩腿之間。

請勿在未閱讀或了解本兒童保護裝置說明書及汽車說明書之前，使用或安裝本兒童保護裝置。因為可能會導致嚴重受傷或死亡的危險。

請勿使用二手兒童保護裝置或來歷不明的兒童保護裝置，因為它們可能存在危害乘坐兒童安全的潛在危險。

使用本產品前，請取掉PE袋和包裝材料，並放到嬰兒和兒童觸摸不到的地方。

請勿搬運乘坐兒童的兒童保護裝置。

兒童保護裝置不能安裝於前座之位置。

產品安裝

安裝注意事項

- ! 請勿將此兒童保護裝置安裝在二點式安全帶的汽車座椅上**(1)**
- ! 此兒童保護裝置適合安裝在設置有三點式安全帶的汽車座椅上**(2)**，如果您的車輛座椅上有ISOFIX，強烈建議將ISO Connector™連接裝置與ISOFIX連接起來**(3)**
- ! 對後向兒童保護裝置，不得使用於裝置空氣囊之車輛座椅位置**(4)**
- ! 請勿將此兒童保護裝置安裝在相對於汽車行駛方向橫向或後向的汽車座椅上。
- ! 關於兒童保護裝置安裝位置請參考汽車說明書的相關說明。
- ! 請將此兒童保護裝置安裝於汽車後座**(4)**
- ! 請勿將此產品安裝於可移動的汽車座椅上。

產品使用

使用側撞防護盾

- 1- 兒童保護裝置的側撞防護盾必須安裝在最靠近汽車車門的一側。才能更好的保護兒童的安全**(5)**
- 2- 按壓釋鎖按鈕即可釋鎖側撞防護盾**(6)**

背靠角度調整

- 1- 按壓角度調整手把，即可滑動兒童保護裝置本體，將座椅角度調整到合適段位**(7)**
- 2- 角度調整後如**(8)**所示。
 - ! 後向模式有二段角度調整，如角度標示第5-6段，以藍色塊標示。
 - ! 前向模式有四段角度調整，如角度標示第1-4段，以紅色塊標示。(15-25kg請使用第1-4段，22-36kg請使用第3段)

頭靠及肩帶高度調整

- 1- 請依照寶寶的身高，將頭靠或肩帶調整到適當高度，調整頭靠高度即可同時調整肩帶高度。
 - ! 以後向模式使用時，肩帶高度需與寶寶的肩膀相同或略低於寶寶的肩膀**(9)-1**

! 以前向模式使用時，汽車肩帶導向器的位置需與寶寶的肩膀相同或略高於寶寶的肩膀**(9)-2**

- 2- 按壓頭靠調整拉桿**(10)-1**，同時上下滑動頭靠到合適高度，頭靠高度共有10個段位。調整後如**(10)-2**所示。
 - ! 當頭靠調整到第6-9段時側翼會打開。

後向模式

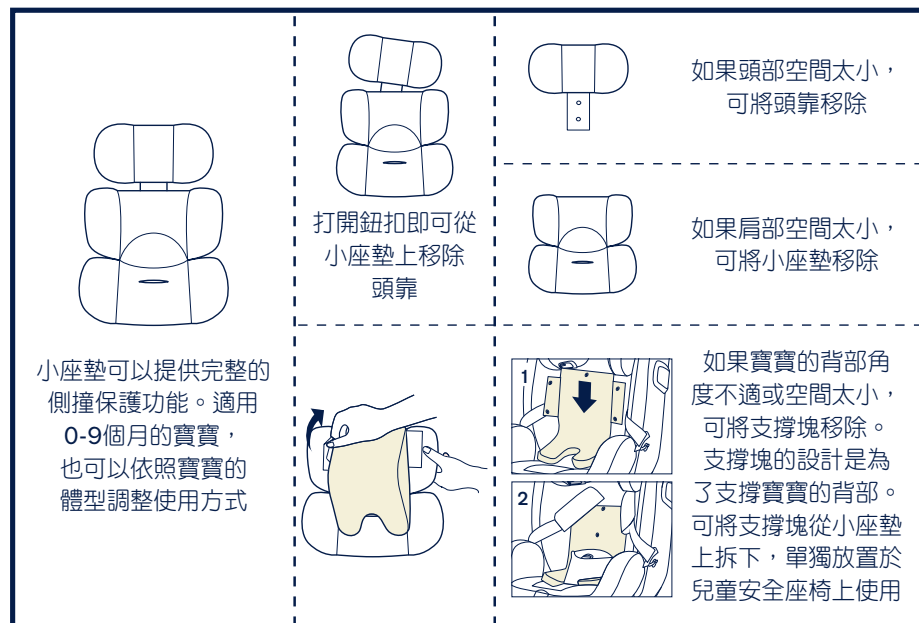
(未滿18kg/新生兒-4歲的寶寶)
! 請先將此兒童保護裝置安裝到汽車後座，再讓寶寶乘坐。

後向模式安裝方法

- ! 請先將兒童保護裝置角度調整至合適的角度(第5-6段)。
 - ! 安裝兒童保護裝置前，請確認肩帶高低已調整至適當位置。
 - ! 安裝和調整汽車安全帶時，須注意汽車安全帶肩帶和腰帶都不可以扭曲或妨礙汽車安全帶的正常功能。
- 1- 拉出汽車安全帶，將汽車腰帶穿過座椅卡槽，再將插扣片插到插扣座內。**(11)(12)**
 - 2- 將汽車肩帶依次卡入本體背面的後向固定夾器和汽車肩帶卡槽內**(13)**
 - ! 汽車肩帶須穿入後向固定夾器內**(14)**
 - ! 當不使用時，要確保後向固定夾器完全關閉，防止傷害寶寶和對汽車內飾的損壞。
 - 3- 持續緊壓兒童保護裝置，並用力拉緊汽車安全帶，使汽車安全帶緊實的繫住兒童保護裝置**(15)-1(15)-2**
 - ! 請確保汽車肩帶須穿入後向固定夾器內**(15)-3(15)-4**
 - ! 當關閉後向固定夾器時，小心夾傷手指。
 - ! 汽車安全帶母扣段若太長，汽車安全帶無法綁緊不能使用。
 - ! 請將兒童保護裝置前後搖晃以作確認。
 - 4- 汽車安全帶安裝好後如**(16)**所示。
 - ! 汽車腰帶穿入座椅卡槽**(16)-1**
 - ! 汽車肩帶穿入後向固定夾器和汽車肩帶卡槽**(16)-2**
 - ! 汽車插扣片和插扣座正確扣合**(16)-3**

寶寶乘坐

使用小座墊



- 1- 按壓安全帶調整器，同時將肩帶拉出至適當長度(17)
- 2- 按壓紅色按鈕，將安全扣打開(18)
- 3- 將扣具公扣固定在兒童保護裝置兩側以方便寶寶乘坐(19)
- 4- 扣好安全扣(20)
- 5- 下拉調整織帶，調整肩帶至適當長度，以配合寶寶身形(21)

! 將寶寶放入兒童保護裝置後，請確認肩帶高度是否調整在適當位置。

! 確保寶寶與肩帶之間須可以放進一個手掌的厚度。

前向模式

15-25kg (3-9歲的寶寶) / 22-36kg (10-12歲的寶寶)

前向模式安裝方法

! 前向模式需使用汽車安全帶，應移除小座墊，且將肩帶護片和五方向安全扣存放到本體內。

! 存放肩帶護片和五方向安全扣前，需將肩帶調節至適當長度。

! 請先調整好兒童保護裝置的角度，前向共有4段(第1-4段)。詳情請見前頁兒童使用要求。

! 15-25kg (3-9歲的寶寶)可用第1-4段位。

! 22-36kg (10-12歲的寶寶)僅限使用第3段位。

! 安裝汽車安全帶時，須注意汽車安全帶肩帶和腰帶都不可以扭曲或妨礙汽車安全帶的正常功能。

- 1- 按壓紅色按鈕，將安全扣打開(18)
- 2- 移除胯帶護片(37)和小座墊。
! 在前向模式下安裝兒童保護裝置時，請勿使用小座墊。
- 3- 解開鈕扣(22)-1
- 4- 掀開座墊的座布，將肩帶護片和扣具公扣存放到本體中的儲存格內。(22)-2(22)-3
- 5- 將扣具母扣拉到座墊下面，並妥善放入儲存格內(22)-4
- 6- 扣好鈕扣(23)

ISO Connector™安裝方法

- 1- 將ISO Connector™導向器固定到ISOFIX上，ISO Connector™導向器既可防止汽車座椅表面被刮破，又可為ISO Connector™連接器安裝導向(24)
- 2- 按壓底座的ISO Connector™調整按鈕(25)，拉出ISO Connector™連接器(26)
! 請確定左右兩邊的ISO Connector™連接器都已固定到ISOFIX上且兩個ISO Connector™連接器上的指示器應顯示綠色(27)
! ISO Connector™連接器須鎖定在ISOFIX上。
! 同時往外拉兩邊的ISO Connector™連接器，以確保ISO Connector™連接器已固定。
- 3- 按壓ISO Connector™調整按鈕同時將兒童保護裝置緊貼汽車座椅背靠(28)

移除ISO Connector™連接器

- 1- 按壓ISO Connector™調整按鈕(29)-1將兒童保護裝置遠離汽車座椅背靠(29)-2
- 2- 按壓ISO Connector™連接器上的第二道安全鎖與釋鎖按鈕(30)
- 3- 按壓ISO Connector™調整按鈕將ISO Connector™連接器收合(31)

寶寶乘坐

3點式安全帶安裝兒童保護裝置

- 1- 讓小朋友坐上座椅，並調整頭靠到適當高度。
- 2- 將汽車肩帶穿過汽車肩帶導向器，汽車腰帶穿過座椅卡槽，再將安全帶插扣片插到插扣座內並拉緊汽車安全帶**(32)(33)**
 - !汽車肩帶須穿過汽車肩帶導向器。
 - !汽車腰帶須穿過座椅卡槽。
 - !汽車安全帶母扣段若太長，汽車安全帶無法綁緊不能使用。
 - !請勿將汽車安全帶單獨穿過小朋友大腿上方。
 - !請勿讓汽車肩帶鬆馳或將汽車肩帶置於小朋友手臂下方。
 - !請勿將汽車肩帶置於小朋友背後。
 - !小朋友乘坐於汽車椅上後，請勿讓他/她滑下，以免汽車安全帶勒住小朋友頸部並造成窒息危險。

ISO Connector™連接裝置和3點式安全帶安裝兒童保護裝置

- 1- 安裝ISO Connector™連接裝置如**(24)-(28)**所示。
- 2- 讓小朋友坐上座椅，並調整頭靠到適當高度。
- 3- 安裝3點式安全帶如**(32)(33)**所示。
- 4- 正確的安裝ISO Connector™連接裝置和3點式安全帶如**(34)**所示。
 - !請確定左右兩邊的ISO Connector™連接器都已固定到ISOFIX上且兩個ISO Connector™連接器上的指示器應顯示綠色**(34)-1**
 - !同時往外拉兩邊的ISO Connector™連接器，以確保ISO Connector™連接器已固定。
 - !汽車肩帶須穿過汽車肩帶導向器**(34)-3**
 - !汽車腰帶須穿過座椅卡槽。
 - !汽車安全帶母扣段若太長，汽車安全帶無法綁緊不能使用**(34)-2**
 - !請勿將汽車安全帶單獨穿過小朋友大腿上方。
 - !請勿讓汽車肩帶鬆馳或將汽車肩帶置於小朋友手臂下方。
 - !請勿將汽車肩帶置於小朋友背後。
 - !小朋友乘坐於汽車椅上後，請勿讓他/她滑下，以免汽車安全帶勒住小朋友頸部並造成窒息危險。

拆卸座布

- 1- 按壓紅色按鈕，將安全扣打開**(35)**
- 2- 拆卸座布如圖**(36)-(43)**所示。
- 3- 依相反步驟即可重新組裝座布。

維修與保固

小座墊填充物拆除後，請將其存放於寶寶無法接觸到的地方。

請使用30度以下水溫清洗。

請勿使用熨斗熨燙。

請勿使用漂白劑及乾洗。

請勿使用未經稀釋的中性清潔劑、汽油或其他有機溶劑清洗兒童保護裝置，否則可能對兒童保護裝置造成損壞。

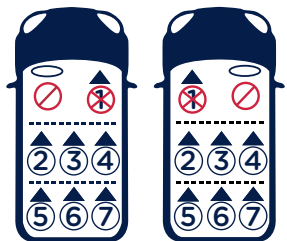
請勿大力扭乾，過分大力扭乾可能留下皺褶。

請於陰涼處鋪平晾乾。

當長時間不使用本兒童保護裝置時，請將本兒童保護裝置從汽車座椅上拆除，並存放於陰涼處及寶寶不易接觸的地方。

汽車安裝資訊

以下車型為車款安裝適配性資料。



在您購買汽車前，請確認汽車內是否有合適的連接裝置。

請優先選用汽車后座。

- 表示汽車座椅可安裝本兒童保護裝置(除前座位置，兒童保護裝置不能安裝於前座之位置①)。
- ✘ 表示汽車座椅不可安裝本兒童保護裝置。
- ⚡ 表示用電或其它混合驅動的車輛。

如果您的汽車品牌未被列入本說明書或未用“•”或“✘”進行標示，請查閱您的汽車手冊或聯絡兒童保護裝置製造商，以進一步了解相關資訊。

此汽車資訊信息是收集車輛及汽車座椅後仔細編制的。對於明細的準確性不承擔任何責任，目的僅用於指導。建議您在購買時檢查您所購買的兒童保護裝置與您的汽車是否匹配。

请妥善保存本说明书以备 不时之需!

使用产品前请仔细阅读本说明书，并妥善保存以供日后参照。不依照本说明书的指示操作，可能会影响到您宝宝的安全。

目录

产品资讯	31
保修与售后服务	31
保修条件	31
联络我们	31
儿童使用要求	32
安全须知与注意事项	33
产品组件及各部件名称	34
警告	35
产品安装	37
产品使用	37
维修与保养	42
汽车安装资讯	43

产品资讯

产品名称: _____

生产日期: _____

保修与售后服务

产品于保修期间内发生问题, 请与零售商联络: 若零售商无法提供服务, 他们会联络当地的Nuna经销商。请留意产品背部的产品型号与生产日期序号。当有保修需求时, 请提供以上产品资讯。请至www.nunababy.com网站登记您购买的产品。

保修条件

保修始于产品购买日。我们提供维修服务, 但不提供产品退换。保修期限不会因零件更换或维修而延长。Nuna有权利针对产品进行改善设计, 此先前制造的产品则无更换之义务。

相关保修资讯, 详见官网: www.nunababy.com

联络我们

我们期望不断改进并开发新的产品, 请随时告知您对Nuna产品的意见和建议。

info@nunababy.com

www.nunababy.com

制造商 NUNA International B.V.
地址 Van der Valk Boumanweg 178 C
2352JD Leiderdorp
The Netherlands

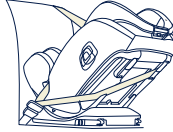
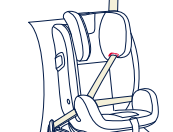
产品名称 车用儿童保护装置
产品型号 CS128
适用范围 36kg(约12岁)以下的宝宝
适用群组 0+组、I组、II组、III组
主要材质 塑胶、五金、布
执行标准 GB 27887-2011
《机动车儿童乘员用约束系统》

产地 中国

经销商 巧儿宜(中国)有限公司
地址 上海市黄浦区徐家汇路610号日月光中心办公楼16层01室
售后电话 400-090-1801
邮编 200025
生产企业 明门(中国)婴童用品有限公司
地址 广东省东莞市清溪镇银湖工业区
电话 86-769-87733251
邮编 523648

儿童使用要求

您的孩子必须完全符合以下要求, 才可以使用本产品:
! 重要-在儿童体重超过15kg之前, 不要前向使用(参阅使用说明)。

宝宝体重	安装模式	安装图示	参考年龄	座椅段位	小座垫使用说明
<18kg	后向模式	 三点式安全带	<4岁	第5-6段	0-9个月的宝宝需使用小座垫。小座垫可辅助安全带绑紧宝宝并让宝宝背部躺平, 避免脊椎弯曲。
15-36kg	前向模式	 三点式安全带 -或-  三点式安全带+ ISO Connector™	3-12岁	第1-4段	请勿使用小座垫

安全须知与注意事项

此儿童约束系统应安装到符合国家安全标准GB 14166和欧盟安全标准ECE R16的三点式安全带(不含两点式安全带)的汽车座椅上。中国区域使用请依照GB标准规范。

3点式安全带安装儿童约束系统

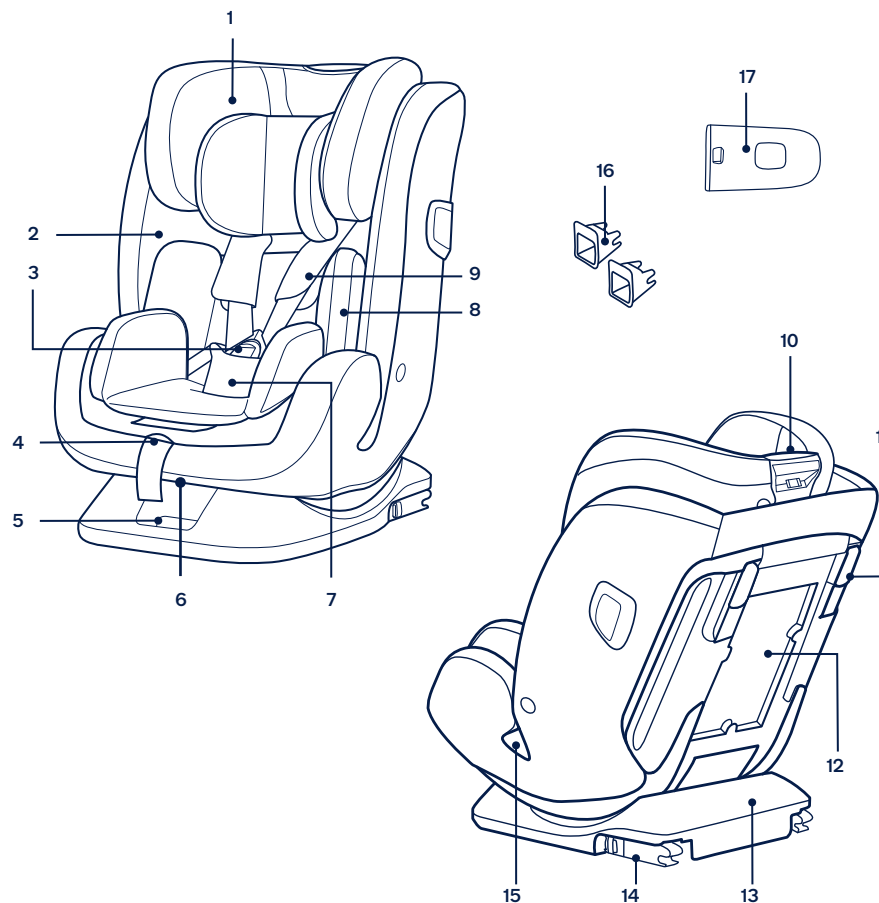
- 1 这是“通用类”儿童约束系统,符合国家安全标准GB 27887-2011和欧盟安全标准ECE R44。作为通用儿童约束系统,适合大多数,而不是全部的汽车座椅。
- 2 如果汽车制造商在使用手册中注明可以让适用此年龄段的“通用类”儿童约束系统配合的话,那么更容易达到正确的匹配。
- 3 如有疑问,请咨询儿童约束系统制造商或销售商。

ISO Connector™ 连结装置和 3 点式安全带安装儿童约束系统

- 1 此儿童约束系统符合“半通用类”应用。适合安装在汽车座椅位置上。
- 2 在其他的汽车座椅位置也可能适合安装此儿童约束系统。如有疑问,请咨询儿童约束系统制造商或销售商。

产品组件及各部位名称

- | | |
|-----------------------|-----------------------|
| 1 头靠 | 10 头靠调整拉杆 |
| 2 座垫 | 11 后向固定夹器 |
| 3 安全扣 | 12 说明书存放处 |
| 4 调整织带 | 13 底座 |
| 5 ISO Connector™ 调整按钮 | 14 ISO Connector™ 连接器 |
| 6 角度调整手把 | 15 座椅卡槽 |
| 7 胯带护片 | 16 ISO Connector™ 导向器 |
| 8 小座垫 | 17 侧撞防护盾 |
| 9 肩带护片 | |



警告

必须小心定位和安装儿童约束系统，以免被可移动车辆座椅或车门卡住。

对后向儿童约束系统，不得安装在装有安全气囊的车辆位置上。

儿童约束系统适用于体重36kg(约12岁)以下的儿童。

在宝宝体重未满15kg前，不要前向使用，过小的宝宝前向使用是非常危险的。

儿童约束系统的每条与车辆连接的织带应系紧，约束儿童的织带应根据儿童的身体进行调整。织带不得扭曲。

将宝宝放在本儿童约束系统后，必须正确的扣合及使用儿童约束系统安全带，并保证腰带佩戴时能很好地约束骨盆部位。

本儿童约束系统若于意外中遭受剧烈撞击后，不可继续使用，应立即更换儿童约束系统。意外可能导致儿童约束系统产生潜在危险。

请勿擅自改造本儿童约束系统，或使用其他厂商生产的零件来配合本儿童约束系统使用，会对宝宝造成危险。没有认证许可的产品和经过改装的产品是危险的，并且附近没有制造商提供的安装说明也是很危险的。

请让儿童约束系统远离日光，以免产品温度过高对儿童的皮肤造成伤害。

不要将儿童在无人照看的情况下放置在儿童约束系统内。

在碰撞事故中易造成伤害的行李和物品应被妥善安放。

当本儿童约束系统没有座布时，请勿使用，因座布为儿童约束系统束缚性能的整体构成要件。请勿使用非本制造商推荐的座布，否则会影响儿童约束系统的总体性能。

不得使用除说明文件描述的和儿童约束系统上标识的任何其他受力点。

不正确使用或安装本儿童约束系统，当紧急刹车和急转弯时，可能会导致严重受伤或死亡的危险。

请勿使用其它厂商生产的儿童约束系统座垫。请与销售商联系只可使用Nuna配件更换零件。

有关零件更换或维修问题，请向销售商咨询。

请勿使用说明书中未有显示的任何配件。

请勿将未使用汽车安全带固定住的儿童约束系统留在车内，以免紧急刹车时，伤害到其他乘客。若不经常使用儿童约束系统时，请将其搬离汽车座椅。

请勿使用已经损坏或缺失零件的儿童约束系统。请勿使用切割过的、磨损的或损坏的车辆安全座椅。

请勿把本儿童约束系统当作平常的椅子使用，会容易翻倒造成伤害。

不可使用绳子等其他物件代替汽车安全带，以免儿童被意外勒住。

请勿让您的宝宝穿过大的衣物，所穿的衣物必须能让儿童约束系统的安全带适当而安全地扣在宝宝两腿之间。

请勿在未阅读或了解本儿童约束系统说明书及汽车说明书之前，使用或安装本儿童约束系统。因为可能会导致严重受伤或死亡的危险。

请勿使用二手儿童约束系统或来历不明的儿童约束系统，因为它们可能存在危害乘坐儿童安全的潜在危险。

使用本产品前，请取掉PE袋和包装材料，并放到婴儿和儿童触摸不到的地方。

请勿搬运乘坐儿童的儿童约束系统。

产品安装

安装注意事项

- ! 请勿将此儿童约束系统安装在二点式安全带的汽车座椅上(1)
- ! 此儿童约束系统适合安装在设置有三点式安全带的汽车座椅上(2), 如果您的车辆座椅上有ISOFIX, 强烈建议将ISO Connector™连接装置与ISOFIX连接起来(3)
- ! 对后向儿童约束系统, 不得使用于装置空气囊的车辆座椅位置(4)
- ! 请勿将此儿童约束系统安装在相对于汽车行驶方向横向或后向的汽车座椅上。
- ! 关于儿童约束系统安装位置请参考汽车说明书的相关说明。
- ! 请将此儿童约束系统安装于汽车后座(4)
- ! 请勿将此产品安装于可移动的汽车座椅上。

产品使用

使用侧撞防护盾

- 1- 儿童约束系统的侧撞防护盾必须安装在最靠近汽车车门的一侧。才能更好的保护儿童的安全(5)
- 2- 按压释锁按钮即可释锁侧撞防护盾(6)

背靠角度调整

- 1- 按压角度调整手把, 即可滑动儿童约束系统本体, 将座椅角度调整到合适段位(7)
- 2- 角度调整后如(8)所示。
 - ! 前向模式有四段角度调整, 如角度标示第1-4段, 以红色块标示。
 - ! 后向模式有二段角度调整, 如角度标示第5-6段, 以蓝色块标示。
- 3- 调整背靠角度后需重新调整三点式安全带至合适状态。三点式安全带不得松弛, 必须拉紧。

头靠及肩带高度调整

- 1- 请依照宝宝的身高, 将头靠或肩带调整到适当高度, 调整头靠高度即可同时调整肩带高度。
 - ! 以后向模式使用时, 肩带高度需与宝宝的肩膀相同或略低于宝宝的肩膀(9)-1

! 以前向模式使用时, 汽车肩带导向器的位置需与宝宝的肩膀相同或略高于宝宝的肩膀(9)-2

- 2- 按压头靠调整拉杆(10)-1, 同时上下滑动头靠到合适高度, 头靠高度共有10个段位。调整后如(10)-2所示。
 - ! 当头靠调整到第6-9段时侧翼会打开。

后向模式

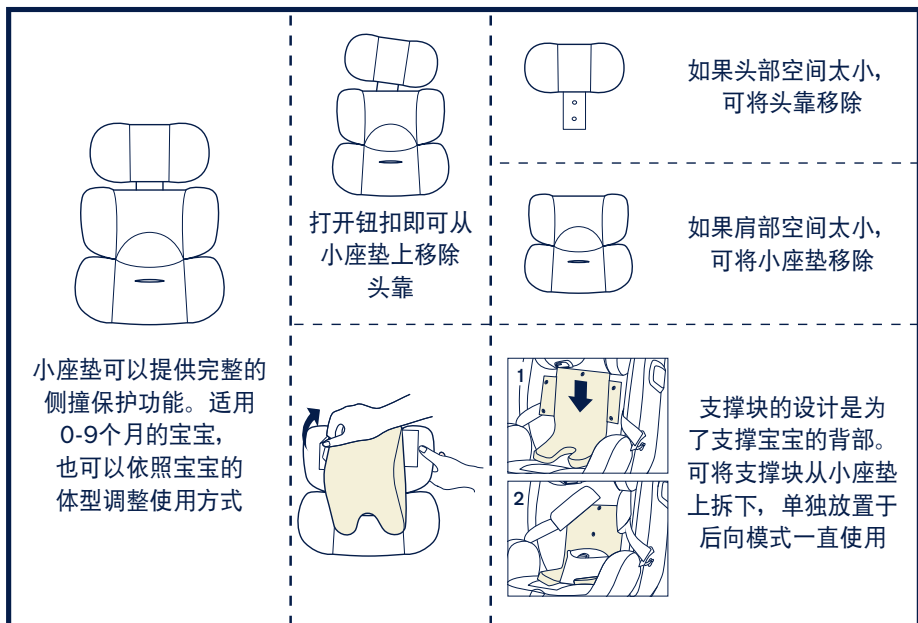
(未满18kg/新生儿-4岁的宝宝)

! 请先将此儿童约束系统安装到汽车后座, 再让宝宝乘坐。

后向模式安装方法

- ! 请先将儿童约束系统角度调整至合适的角度(第5-6段)。
 - ! 安装儿童约束系统前, 请确认肩带高低已调整至适当位置。
 - ! 安装和调整汽车安全带时, 须注意汽车安全带肩带和腰带都不可以扭曲或妨碍汽车安全带的正常功能。
- 1- 拉出汽车安全带, 将汽车腰带穿过座椅卡槽, 再将插扣片插到插扣座内。
(11)(12)
 - 2- 将汽车肩带依次卡入本体背面的后向固定夹器和汽车肩带卡槽内(13)
 - ! 汽车肩带须穿入后向固定夹器内(14)
 - ! 当不使用时, 要确保后向固定夹器完全关闭, 防止伤害宝宝和对汽车内饰的损坏。
 - 3- 持续紧压儿童约束系统, 并用力拉紧汽车安全带, 使汽车安全带紧实的系住儿童约束系统(15)-1(15)-2
 - ! 请确保汽车肩带须穿入后向固定夹器内(15)-3(15)-4
 - ! 当关闭后向固定夹器时, 小心夹伤手指。
 - ! 汽车安全带母扣段若太长, 汽车安全带无法绑紧不能使用。
 - ! 请将儿童约束系统前后摇晃以作确认。
 - 4- 汽车安全带安装好后如(16)所示。
 - ! 汽车腰带穿入座椅卡槽(16)-1
 - ! 汽车肩带穿入后向固定夹器和汽车肩带卡槽(16)-2
 - ! 汽车插扣片和插扣座正确扣合(16)-3

宝宝乘坐 使用小座垫



- 1- 按压安全带调整器，同时将肩带拉出至适当长度(17)
- 2- 按压红色按钮，将安全扣打开(18)
- 3- 将扣具公扣固定在儿童约束系统两侧以方便宝宝乘坐(19)
- 4- 扣好安全扣(20)
- 5- 下拉调整织带，调整肩带至适当长度，以配合宝宝身形(21)
! 将宝宝放入儿童约束系统后，请确认肩带高度是否调整在适当位置。
! 确保宝宝与肩带之间须可以放进一个手掌的厚度。

前向模式

(15-36kg/3-12岁的宝宝)

前向模式安装方法

! 前向模式下仅需使用汽车安全带，应移除小座垫，且将肩带护片和五方向安全扣存放到本体内存放。

! 存放肩带护片和五方向安全扣前，需将肩带调节至适当长度。

! 请先调整好儿童约束系统的角度，前向共有4段(第1-4段)。

! 安装汽车安全带时，须注意汽车安全带肩带和腰带都不可以扭曲或妨碍汽车安全带的正常功能。

- 1- 按压红色按钮，将安全扣打开(18)
- 2- 移除胯带护片(37)和小座垫。
! 在前向模式下安装儿童约束系统时，请勿使用小座垫。
- 3- 解开钮扣(22)-1
- 4- 掀开座垫的座布，将肩带护片和扣具公扣存放到本体中的储存格内。
(22)-2(22)-3
- 5- 将扣具母扣拉到座垫下面，并妥善放入储存格内(22)-4
- 6- 扣好钮扣(23)

ISO Connector™安装方法

- 1- 将ISO Connector™导向器固定到ISOFIX上，ISO Connector™导向器既可防止汽车座椅表面被刮破，又可为ISO Connector™连接器安装导向(24)
- 2- 按压底座的ISO Connector™调整按钮(25)，拉出ISO Connector™连接器(26)
! 请确定左右两边的ISO Connector™连接器都已固定到ISOFIX上且两个ISO Connector™连接器上的指示器应显示绿色(27)
! ISO Connector™连接器须锁定在ISOFIX上。
! 同时往外拉两边的ISO Connector™连接器，以确保ISO Connector™连接器已固定。
- 3- 按压ISO Connector™调整按钮同时将儿童约束系统紧贴汽车座椅背靠(28)

移除ISO Connector™连接器

- 1- 按压ISO Connector™调整按钮(29)-1将儿童约束系统远离汽车座椅背靠(29)-2
- 2- 按压ISO Connector™连接器上的第二道安全锁与释锁按钮(30)
- 3- 按压ISO Connector™调整按钮将ISO Connector™连接器收合(31)

宝宝乘坐

3点式安全带安装儿童约束系统

- 1- 让小朋友坐上座椅，并调整头靠到适当高度。

- 2- 将汽车肩带穿过汽车肩带导向器，汽车腰带穿过座椅卡槽，再将安全带插扣片插到插扣座内并拉紧汽车安全带**(32)(33)**

!汽车肩带须穿过汽车肩带导向器。

!汽车腰带须穿过座椅卡槽。

!汽车安全带母扣段若太长，汽车安全带无法绑紧不能使用。

!请勿将汽车安全带单独穿过小朋友大腿上方。

!请勿让汽车肩带松弛或将汽车肩带置于小朋友手臂下方。

!请勿将汽车肩带置于小朋友背后。

!小朋友乘坐于汽车椅上后，请勿让他/她滑下，以免汽车安全带勒住小朋友颈部并造成窒息危险。

ISO Connector™连接装置和3点式安全带安装儿童约束系统

- 1- 安装ISO Connector™连接装置如**(24)-(28)**所示。

- 2- 让小朋友坐上座椅，并调整头靠到适当高度。

- 3- 安装3点式安全带如**(32)(33)**所示。

- 4- 正确的安装ISO Connector™连接装置和3点式安全带如**(34)**所示。

!请确定左右两边的ISO Connector™连接器都已固定到ISOFIX上且两个ISO Connector™连接器上的指示器应显示绿色**(34)-1**

!同时往外拉两边的ISO Connector™连接器，以确保ISO Connector™连接器已固定。

!汽车肩带须穿过汽车肩带导向器**(34)-3**

!汽车腰带须穿过座椅卡槽。

!汽车安全带母扣段若太长，汽车安全带无法绑紧不能使用**(34)-2**

!请勿将汽车安全带单独穿过小朋友大腿上方。

!请勿让汽车肩带松弛或将汽车肩带置于小朋友手臂下方。

!请勿将汽车肩带置于小朋友背后。

!小朋友乘坐于汽车椅上后，请勿让他/她滑下，以免汽车安全带勒住小朋友颈部并造成窒息危险。

拆卸座布

- 1- 按压红色按钮，将安全扣打开**(35)**

- 2- 拆卸座布如图**(36)-(43)**所示。

- 3- 依相反步骤即可重新组装座布。

维修与保养

小座垫填充物拆除后，请将其存放于宝宝无法接触到的地方。

请使用30度以下水温清洗。

请勿使用熨斗熨烫。

请勿使用漂白剂及干洗。

请勿使用未经稀释的中性清洁剂、汽油或其他有机溶剂清洗儿童约束系统，否则可能对儿童约束系统造成损坏。

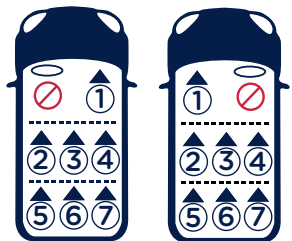
请勿大力扭干，过分大力扭干可能留下褶皱。

请于阴凉处铺平晾干。

当长时间不使用本儿童约束系统时，请将本儿童约束系统从汽车座椅上拆除，并存放于阴凉处及宝宝不易接触的地方。

汽车安装资讯

以下车型为车款安装适配性资料。



在您购买汽车前，请确认汽车内是否有合适的连接装置。

请优先选用汽车后座。

- 表示汽车座椅可安装本儿童保护装置。
- x 表示汽车座椅不可安装本儿童保护装置。
- ⚡ 表示用电或其它混合驱动的车辆。

如果您的汽车品牌未被列入本说明书或未用“•”或“x”进行标示，请查阅您的汽车手册或联络儿童保护装置制造商，以进一步了解相关资讯。

此汽车资讯信息是收集车辆及汽车座椅后仔细编制的。对于明细的准确性不承担任何责任，目的仅用于指导。建议您在购买时检查您所购买的儿童保护装置与您的汽车是否匹配。

① ② ③ ④ ⑤ ⑥ ⑦

Alfa Romeo

Giulia (2017>)	•	•	x	•	-	-	-
Giulietta (2010 - 2016)	•	•	x	•	-	-	-
Giulietta (2016>)	•	•	x	•	-	-	-
GT Sportcoupe (2004 - 2011)	x	•	x	•	-	-	-
MiTo (2009 - 2016)	x	•	-	•	-	-	-
MiTo (2016>)	•	•	-	•	-	-	-
Stelvio (2017>)	•	•	x	•	-	-	-
156 Sportswagon (1997 - 2005)	x	•	x	•	-	-	-
159 (2005 - 2011)	x	•	x	•	-	-	-

Audi

A1 (2010 - 2012)	•	•	x	•	-	-	-
A1 Sportback (2012 - 2014)	•	•	x	•	-	-	-
A1 Sportback (2014>)	•	•	x	•	-	-	-
A3 (1996 - 2003)	x	•	x	•	-	-	-
A3 (2004 - 2011)	x	•	x	•	-	-	-
A3 Hatch (2012 - 2016)	•	•	x	•	-	-	-
A3/S3 (2012 - 2016)	•	•	x	•	-	-	-
⚡A3 e-Tron Sportback (2013 - 2016)	•	•	x	•	-	-	-
A3 Sportback (2016>)	•	•	x	•	-	-	-
A3/S3 Saloon (2014>)	•	•	x	•	-	-	-
A4 (2005 - 2009)	x	•	x	•	-	-	-
A4/S4 (2009 - 2014)	•	•	x	•	-	-	-
A4/S4 (2015>)	•	•	x	•	-	-	-
A4 Allroad (2008 - 2016)	•	•	x	•	-	-	-
A4/S4 Avant (2008 - 2012)	•	•	x	•	-	-	-
A4 Avant (2015>)	•	•	x	•	-	-	-
A4 Saloon (2008 - 2016)	•	•	x	•	-	-	-
A4 Saloon (2015>)	•	•	x	•	-	-	-
A5 (2007 - 2011)	•	•	x	•	-	-	-
A5 (2016>)	•	•	x	•	-	-	-
A5 Coupe (2006 - 2016)	x	•	-	•	-	-	-
A5/S5 Coupe (2016>)	x	•	-	•	-	-	-
A5/S5 Sportback (2007 - 2016)	•	•	x	•	-	-	-
A5/S5 Sportback (2017>)	•	•	x	•	-	-	-
A6 (2011>)	•	•	x	•	-	-	-
A6/S6 (2011 - 2014)	•	•	x	•	-	-	-
A6/S6 (2014 - 2018)	•	•	x	•	-	-	-
A6 Allroad (2011 - 2016)	•	•	x	•	-	-	-

① ② ③ ④ ⑤ ⑥ ⑦

A6 Allroad (2016>)	•	•	X	•	-	-	-
A6 Avant (2011 - 2014)	•	•	X	•	-	-	-
A6 Avant (2018>)	•	•	X	•	-	-	-
A7 Sportback (2010 - 2014)	•	•	X	•			
A7/S7 Sportback (2014 - 2017)	•	•	X	•	-	-	-
A7 Sportback (2017>)	•	•	X	•			
A8 (2011 - 2013)	•	•	X	•			
A8/S8 (2011 - 2013)	•	•	X	•	-	-	-
Q2 (2016>)	X	•	X	•	-	-	-
Q3 (2011 - 2017)	•	•	X	•	-	-	-
Q3 (2017>)	•	•	X	•	-	-	-
Q5 (2008 - 2012)	•	•	X	•	-	-	-
Q5/SQ5 (2012 - 2016)	•	•	X	•	-	-	-
Q5 (2016>)	•	•	X	•	-	-	-
Q7 (2006 - 2015)	•	•	X	•	-	-	-
Q7/SQ7 (2015>)	•	•	X	•	X	-	X
Q7 (2015>)	•	•	X	•	X	-	X
Q8 (2018>)	•	•	X	•	-	-	-
S1 (2014>)	•	•	X	•	-	-	-
TT Coupe (2006 - 2014)	•	X	-	X	-	-	-

Bentley

Continental Flying Spur (2005 - 2008)	•	•	X	•	-	-	-
Continental GT (2003 - 2012)	•	X	-	X	-	-	-
Continental GTC (2006 - 2012)	•	X	-	X	-	-	-
Mulsanne (2009 - 2016)	•	•	X	•	-	-	-

BMW

1-Series 5dr (2004 - 2011)	•	•	X	•	-	-	-
1 Series F20 (2011 - 2015)	•	•	X	•	-	-	-
1-Series Convertible (2008 - 2015)	•	•	-	•	-	-	-
1-Series Coupe (2008 - 2015)	•	•	-	•	-	-	-
2-Series AC-T (2015 - 2018)	•	•	X	•	-	-	-
2-Series AC-T (2018>)	•	•	X	•	-	-	-
2-Series Coupe (2014>)	•	•	-	•	-	-	-
2-Series Gran Tourer (2018>)	•	•	X	•	-	-	-
3-GT (2013>)	•	•	X	•	-	-	-
3-Series (2005 - 2011)	X	•	-	•	-	-	-

① ② ③ ④ ⑤ ⑥ ⑦

3 Series F30 (2012>)	•	•	X	•	-	-	-
3-Series Coupe (2007 - 2014)	•	•	-	•	-	-	-
4-Series Gran Coupe (2014 - 2018)	X	•	X	•	-	-	-
5-GT (2009 - 2013)	X	•	X	•	-	-	-
5-Series (2008 - 2010)	X	•	X	•	-	-	-
5-Series (2010 - 2016)	X	•	X	•	-	-	-
5-Series Saloon (2003 - 2010)	X	•	X	•	-	-	-
5-Series Saloon (2011 - 2016)	X	•	X	•	-	-	-
5-Series Saloon (2017>)	X	•	X	•	-	-	-
5-Series Touring (2003 - 2010)	X	•	X	•	-	-	-
5-Series Touring (2010 - 2017)	X	•	X	•	-	-	-
6-GT (2017>)	•	•	X	•	-	-	-
6-Series Convertible (2012 - 2015)	•	•	-	•	-	-	-
6-Series Coupe (2dr) (2011 - 2015)	•	•	-	•	-	-	-
6-Series Gran Coupe (4dr) (2011 - 2015)	•	•	X	•	-	-	-
7-Series (2008 - 2012)	•	•	X	•	-	-	-
7-Series (2012 - 2016)	X	•	X	•	-	-	-
7-Series (2016>)	•	•	X	•	-	-	-
i3 (2013 - 2017)	•	•	-	•	-	-	-
M5 (2011 - 2016)	•	•	X	•	-	-	-
M Sport Saloon (2015>)	•	•	X	•	-	-	-
X1 (2009 - 2016)	•	•	X	•	-	-	-
X1 (2016>)	•	•	X	•	-	-	-
X1 F48 (2016>)	•	•	X	•	-	-	-
X2 (2018>)	•	•	X	•	-	-	-
X3 F25 (2010 - 2013)	•	•	X	•	-	-	-
X3 M Sport (2017>)	•	•	X	•	-	-	-
X4 (2014 - 2018)	•	•	X	•	-	-	-
X5 (2007- 2014)	•	•	X	•	X	-	X
X5 (2014>)	•	•	X	•	X	-	X
X6 (2008 - 2009)	•	•	X	•	-	-	-
X6 (2010 - 2014)	•	•	X	•	-	-	-
X6 (2014>)	•	•	X	•	-	-	-
X6 M (2014>)	•	•	X	•	-	-	-

Cadillac

BLS Saloon (2006 - 2011)	•	•	X	•	-	-	-
CTS (2003 - 2007)	X	•	X	•	-	-	-

Chevrolet

① ② ③ ④ ⑤ ⑥ ⑦

Aveo 5dr (2011 - 2015)	•	•	X	•	-	-	-
Camaro (2011 - 2015)	•	•	X	•	-	-	-
Captiva (2007 - 2015)	•	•	X	•	-	-	-
Cruze (2009 - 2014)	•	•	X	•	-	-	-
Epica (2006 - 2011)	•	•	X	•	-	-	-
HHR (2007 - 2011)	•	•	X	•	-	-	-
Kalos (2002 - 2007)	•	•	X	•	-	-	-
Lacetti (2002 - 2009)	•	•	X	•	-	-	-
Malibu (2012 - 2016)	•	•	X	•	-	-	-
Matiz (2005 - 2009)	•	•	X	•	-	-	-
Nubira (2004 - 2009)	•	•	X	•	-	-	-
Orlando (2011>)	•	•	X	•	-	-	-
Spark (2010 - 2015)	•	•	X	•	-	-	-
Tahoe (1999 - 2006)	•	•	X	•	-	-	-
Traxx (2013 - 2017)	•	•	X	•	-	-	-
Volt (2011 - 2016)	•	•	-	•	-	-	-

Chrysler

300C (2012 - 2015)	•	•	X	•	-	-	-
Delta (2007 - 2014)	•	•	X	•	-	-	-
Delta (2008 - 2013)	•	•	X	•	-	-	-
Dodge Avenger (2007 - 2014)	•	•	X	•	-	-	-
Dodge Caliber (2006 - 2012)	•	•	X	•	-	-	-
Dodge Journey (2008 - 2011)	•	•	•	•	-	-	-
Dodge Nitro (2006 - 2011)	•	•	X	•	-	-	-
Dodge Ram (2002 - 2008)	•	•	•	•	-	-	-
Grand Voyager (2001 - 2007)	•	•	-	•	X	X	X
Pacifica (2003 - 2008)	•	•	X	•	-	-	-
PT Cruiser (2001 - 2010)	•	•	X	•	-	-	-
Sebring (2007 - 2010)	•	•	X	•	-	-	-
Voyager (2001 - 2007)	•	•	X	•	•	-	•
Ypsilon (2011 - 2015)	•	•	X	•	-	-	-

Citroen

Berlingo II (2008 - 2012)	X	•	X	•	-	-	-
Berlingo Multispace (2007 - 2018)	•	•	X	•	X	-	X
C1 (2006 - 2015)	•	•	-	•	-	-	-
C1 (2014>)	•	•	-	•	-	-	-

① ② ③ ④ ⑤ ⑥ ⑦

C2 (2003 - 2009)	X	•	X	•	-	-	-
C3 5dr (2005 - 2009)	X	•	X	•	-	-	-
C3 5dr (2009 - 2016)	•	•	X	•	-	-	-
C3 5dr (2016>)	•	•	X	•	-	-	-
C3 Picasso (2008 - 2012)	•	•	X	•	-	-	-
C4 (2010 - 2018)	X	•	X	•	-	-	-
C4 G-Picasso (2006 - 2013)	X	•	X	•	X	-	X
C4 Picasso (2007 - 2010)	•	•	X	•	-	-	-
C4 Picasso (2013 - 2018)	•	•	X	•	-	-	-
C4-Cactus (2014 - 2018)	•	•	X	•	-	-	-
C5 (2005 - 2008)	X	•	X	•	-	-	-
C5 Saloon (2008 - 2016)	•	•	X	•	-	-	-
C5 Tourer (2008 - 2018)	•	•	X	•	-	-	-
C-Crosser (2007 - 2013)	•	•	X	•	-	-	-
DS3 (2009 - 2014)	•	•	X	•	-	-	-
DS3 Cabrio (2016>)	X	•	X	•	-	-	-
DS4 (2011 - 2015)	•	•	X	•	-	-	-
DS5 (2012 - 2015)	•	•	X	•	-	-	-
Evasion (1998 - 2002)	X	•	X	•	•	X	•
Jumpy (2007 - 2012)	X	•	X	•	X	X	X
Nemo (2008 - 2015)	X	•	X	•	-	-	-
Saxo (1996 - 2003)	X	•	X	•	-	-	-
Xsara (2000 - 2006)	X	•	X	•	-	-	-

Dacia

Dokker (2012>)	X	•	•	•	-	-	-
Duster (2012 - 2017)	•	•	X	•	-	-	-
Duster (2017>)	•	•	X	•	-	-	-
Lodgy (2012>)	X	•	•	•	-	-	-
Logan MCV (2012 - 2016)	X	•	X	•	-	-	-
Logan MCV (2016>)	•	•	X	•	-	-	-
Sandero (2012 - 2016)	X	•	X	•	-	-	-
Sandero (2016>)	•	•	X	•	-	-	-

Daihatsu

Cuore (2007 - 2011)	X	•	X	•	-	-	-
Materia (2006 - 2011)	X	•	X	•	-	-	-
Sirion (2001 - 2005)	X	•	X	•	-	-	-

① ② ③ ④ ⑤ ⑥ ⑦

FIAT

Terios (2005>)	X	•	X	•	-	-	-
Trevis (2004 - 2009)	X	•	X	•	-	-	-
124 Spider (2016>)	X	-	-	-	-	-	-
500 (2008>)	X	•	-	•	-	-	-
500 3dr (2015>)	X	•	X	•	-	-	-
500 C (2009>)	X	•	-	•	-	-	-
500L (2012>)	X	•	X	•	-	-	-
500X (2015 - 2018)	X	•	X	•	-	-	-
500X (2018>)	•	•	X	•	-	-	-
Abarth 500 (2009 - 2015)	X	•	-	•	-	-	-
Abarth 595 (2018>)	•	•	X	•	-	-	-
Abarth Grande Punto (2008 - 2011)	X	•	X	•	-	-	-
Bravo (2007 - 2010)	X	•	X	•	-	-	-
Croma (2005 - 2011)	X	•	X	•	-	-	-
Doblo (2005 - 2010)	X	•	X	•	-	-	-
Doblo (2010>)	X	•	X	•	-	-	-
Grande Punto (2006 - 2009)	X	•	X	•	-	-	-
Idea (2003 - 2007)	X	•	X	•	-	-	-
Linea (2006 - 2015)	X	•	X	•	-	-	-
Multipla (2004 - 2007)	X	•	X	•	-	-	-
Panda (2011>)	X	•	X	•	-	-	-
Punto (2014 - 2018)	X	•	X	•	-	-	-
Qubo (2008>)	X	•	X	•	-	-	-
Scudo II (2007 - 2016)	X	•	X	•	•	X	•
Sedici (2006 - 2011)	X	•	X	•	-	-	-
Stilo (2001 - 2007)	X	•	X	•	-	-	-
Tipo (2015>)	•	•	X	•	-	-	-
Ulysse (2002 - 2007)	X	•	•	•	•	X	•

Ford

B-Max (2012>)	X	•	X	•	-	-	-
C-Max (2003 - 2010)	X	•	X	•	-	-	-
C-Max (2010 - 2012)	X	•	X	•	-	-	-
C-Max (2011>)	•	•	X	•	-	-	-
Grand C-Max (2010 - 2014)	•	•	X	•	-	-	-
Grand C-Max (2015>)	•	•	X	•	X	-	X

① ② ③ ④ ⑤ ⑥ ⑦

EcoSport (2013 - 2017)	X	•	X	•	-	-	-
EcoSport (2017>)	X	•	X	•	-	-	-
Edge (2015 - 2018)	X	•	X	•	-	-	-
Edge Sport (2018>)	X	•	X	•	-	-	-
Fiesta (2004 - 2008)	•	•	X	•	-	-	-
Fiesta (2008 - 2017)	X	•	X	•	-	-	-
Fiesta 3dr (2017>)	•	•	X	•	-	-	-
Fiesta 5dr (2017>)	•	•	X	•	-	-	-
Focus (1998 - 2005)	X	X	X	X	-	-	-
Focus (2005 - 2009)	•	•	X	•	-	-	-
Focus (2010 - 2015)	•	•	X	•	-	-	-
Focus (2014 - 2018)	X	•	X	•	-	-	-
Focus (2018>)	•	•	X	•	-	-	-
Focus Estate (2011 - 2018)	X	•	X	•	-	-	-
⚡Focus EV (2014 - 2018)	X	•	X	•	-	-	-
Galaxy (2006 - 2015)	•	•	X	•	X	-	X
Galaxy (2016>)	X	•	X	•	•	-	•
Ka (2009 - 2016)	X	•	-	•	-	-	-
Ka+ (2016 - 2018)	X	•	X	•	-	-	-
Ka+ (2018>)	•	•	X	•	-	-	-
Kuga (2012 - 2016)	X	•	X	•	-	-	-
Kuga (2016>)	•	•	X	•	-	-	-
Maverick (2000 - 2007)	X	•	X	•	-	-	-
Mondeo (2002 - 2007)	X	X	X	X	-	-	-
Mondeo (2007 - 2010)	X	•	X	•	-	-	-
Mondeo (2014>)	X	•	X	•	-	-	-
Mondeo Estate (2007 - 2015)	X	X	X	X	-	-	-
Mondeo Estate (2015>)	X	•	X	•	-	-	-
Mondeo Hatchback (2007 - 2015)	X	•	X	•	-	-	-
Mondeo Hatchback (2014>)	X	•	X	•	-	-	-
Mondeo Ranger (2011 - 2015)	X	•	X	•	-	-	-
Mondeo Saloon (2007 - 2015)	X	•	X	•	-	-	-
Mondeo Turnier (2007 - 2014)	X	•	X	•	-	-	-
Mondeo Vignale (2018>)	X	•	X	•	-	-	-
S-Max (2006 - 2014)	X	•	X	•	X	-	X
S-Max (2014>)	•	•	X	•	-	-	-
ST (2014 - 2018)	X	•	X	•	-	-	-
Tourneo Connect (2009 - 2013)	X	•	X	•	-	-	-
Tourneo Custom (2012>)	X	•	•	X	-	•	-
Transit Connect (2003 - 2007)	X	•	•	X	-	-	-

① ② ③ ④ ⑤ ⑥ ⑦

Transit Kombi (2006 - 2013)	X	.	.	X	-	-	-
Transit Custom (2012>)	X	.	.	X	-	.	-
Vignale (2018>)	.	.	X	.	-	-	-

Honda

Accord Saloon (2008 - 2012)	.	.	X	.	-	-	-
Accord Tourer (2008 - 2015)	.	.	X	.	-	-	-
City (2008 - 2014)	.	.	X	.	-	-	-
Civic (2006 - 2011)	.	.	X	.	-	-	-
Civic (2012 - 2015)	.	.	X	.	-	-	-
Civic (2016>)	.	.	X	.	-	-	-
Civic Hybrid Saloon (2006 - 2010)	.	X	X	X	-	-	-
Civic Prestige 5dr (2016>)	.	.	X	.	-	-	-
Civic Tourer (2013>)	X	.	X	.	-	-	-
CR-V (2007 - 2011)	X	.	X	.	-	-	-
CR-V (2011 - 2016)	X	.	X	.	-	-	-
CR-V (2016>)	.	.	X	.	-	-	-
CR-Z (2010 - 2016)	X	.	X	.	-	-	-
Elysion (2004 - 2013)	X	.	-	.	X	-	X
FRV (2005 - 2011)	X	.	X	.	-	-	-
HR-V (2014 - 2018)	X	.	X	.	-	-	-
HR-V (2018>)	.	.	X	.	-	-	-
Insight (2009 - 2012)	.	.	X	.	-	-	-
Jazz (2001 - 2008)	.	.	X	.	-	-	-
Jazz (2008 - 2015)	.	.	X	.	-	-	-
Jazz (2013 - 2017)	.	.	X	.	-	-	-
Jazz (2017>)	.	.	X	.	-	-	-
Jazz Sport (2017>)	.	.	X	.	-	-	-
Legend (2006 - 2010)	X	.	X	.	-	-	-
Odyssey (2008 - 2011)	.	.	-	.	-	-	-

Hyundai

Accent (1999 - 2003)	.	.	X	.	-	-	-
Coupe (1996 - 2002)	.	.	X	.	-	-	-
Elantra (2000 - 2003)	.	.	X	.	-	-	-
Excel (2002 - 2006)	.	.	X	.	-	-	-
Getz (2002 - 2005)	X	.	X	.	-	-	-
Getz (2005 - 2011)	.	.	X	.	-	-	-

① ② ③ ④ ⑤ ⑥ ⑦

Grandeur (2005 - 2011)	.	.	X	.	-	-	-
i10 (2008 - 2013)	.	.	X	.	-	-	-
i10 Hatch (2008 - 2013)	.	.	X	.	-	-	-
i10 (2016>)	.	.	X	.	-	-	-
i20 Hatch (2009 - 2014)	X	.	X	.	-	-	-
i20 (2014 - 2018)	X	.	X	.	-	-	-
i20 (2018>)	.	.	X	.	-	-	-
i30 (2012 - 2015)	.	.	X	.	-	-	-
i30 (2016>)	.	.	X	.	-	-	X
i40 (2011 - 2018)	.	.	X	.	-	-	-
i40 (2018>)	.	.	X	.	-	-	-
i800/H1 (2008>)	X	.	X	.	X	X	-
Ioniq (2016>)	X	.	X	.	-	-	-
iX20 (2010>)	.	.	X	.	-	-	-
iX35 (2009 - 2013)	.	.	X	.	-	-	-
iX55 (2009>)	.	.	X	.	-	-	X
Kona (2017>)	.	.	X	.	-	-	-
Matrix (2001 - 2010)	X	.	X	.	-	-	-
Pony (2002 - 2006)	X	.	X	.	-	-	-
Santa Fe (2000 - 2004)	X	.	X	.	-	-	-
Santa Fe (2007 - 2012)	X	.	X	.	X	-	-
Santa Fe (2012 - 2016)	X	.	X	.	-	-	-
Santa Fe (2016>)	.	.	X	.	-	-	-
Tucson (2004 - 2009)	X	.	X	.	-	-	-
Tucson (2009 - 2013)	X	.	X	.	-	-	-
Tucson (2013 - 2016)	X	.	X	.	-	-	-
Tucson (2018>)	.	.	X	.	-	-	-
Veloster (2011 - 2018)	X	.	-	.	-	-	-
Verna (1999 - 2005)	X	.	X	.	-	-	-

Infiniti

EX SUV (2009 - 2015)	.	.	X	.	-	-	-
FX SUV (2008 - 2013)	.	X	X	X	-	-	-
G 70 (2016>)	X	X	-	X	-	-	-
G Coupe (2009 - 2013)	.	.	X	.	-	-	-
G Saloon (2009 - 2013)	X	X	X	X	-	-	-
M Saloon (2010 - 2014)	.	.	X	.	-	-	-
Q50 (2016 - 2018)	.	.	X	.	-	-	-

	①	②	③	④	⑤	⑥	⑦
Isuzu							
D-Max (2004 - 2014)	X	•	X	•	-	-	-
Jaguar							
E-Pace (2017>)	•	•	X	•	-	-	-
F-Pace (2015>)	•	•	X	•	-	-	-
F-Type Coupe (2014 - 2017)	X	-	-	-	-	-	-
I-Pace (2018>)	•	•	X	•	-	-	-
S-Type (1999 - 2002)	X	•	X	•	-	-	-
X-Type (2001 - 2010)	X	•	X	•	-	-	-
X-Type Estate (2004 - 2010)	X	•	X	•	-	-	-
XE (2015 - 2018)	•	•	X	•	-	-	-
XE (2018>)	•	•	X	•	-	-	-
XF (2008 - 2012)	•	•	X	•	-	-	-
XF (2015>)	•	•	X	•	-	-	-
XF R (2009>)	•	•	X	•	-	-	-
XF Sportbrake (2012 - 2015)	•	•	X	•	-	-	-
XF Sportbrake (2017>)	•	•	X	•	-	-	-
XJ (1997 - 2003)	X	•	X	•	-	-	-
XJ (2009 - 2012)	X	•	X	•	-	-	-
XJ (2012>)	•	•	X	•	-	-	-
XK Coupe (2006 - 2009)	•	X	-	X	-	-	-
XK Convertible (2006 - 2009)	•	X	-	X	-	-	-
XK R (2006 - 2008)	•	X	-	X	-	-	-
Jeep							
Cherokee (2013 - 2018)	•	•	X	•	-	-	-
Cherokee (2018>)	•	•	X	•	-	-	-
Commander (2005 - 2007)	X	•	X	•	-	-	-
Compass (2011 - 2016)	X	•	X	•	-	-	-
Grand Cherokee (2010 - 2013)	X	•	X	•	-	-	-
Grand Cherokee (2018>)	•	•	X	•	-	-	-
Grand Patriot (2007 - 2014)	X	•	X	•	-	-	-
Renegade (2014 - 2018)	X	•	X	•	-	-	-
Renegade (2018>)	•	•	X	•	-	-	-
Wrangler 5dr (2006 - 2018)	X	•	X	•	-	-	-
Wrangler (2018>)	•	•	X	•	-	-	-

	①	②	③	④	⑤	⑥	⑦
Kia							
Carens (2002 - 2006)	•	•	X	•	-	-	-
Carens (2013>)	•	•	X	•	X	-	X
Carnival (2002 - 2006)	•	•	X	•	•	-	•
Cee'D (2005 - 2015)	•	•	X	•	-	-	-
Cee'D Hatch (2012 - 2015)	•	•	X	•	-	-	-
Cee'D Hatch (2018>)	•	•	X	•	-	-	-
Magentis (2002 - 2005)	•	•	X	•	-	-	-
Mentor (1992 - 2003)	•	•	X	•	-	-	-
Niro (2018>)	•	•	X	•	-	-	-
Opirus (2003 - 2010)	•	•	X	•	-	-	-
Optima (2011 - 2015)	X	•	X	•	-	-	-
Optima (2016>)	X	•	X	•	-	-	-
Picanto (2004 - 2007)	•	•	X	•	-	-	-
Picanto (2011 - 2015)	X	•	X	•	-	-	-
Picanto (2017>)	•	•	X	•	-	-	-
Rio (2012 - 2016)	•	•	X	•	-	-	-
Rio (2016>)	•	•	X	•	-	-	-
Sephia (1997 - 2003)	•	•	X	•	-	-	-
Shuma (2001 - 2004)	•	•	X	•	-	-	-
Sorento (2010 - 2014)	•	•	X	•	-	-	-
Sorento (2014 - 2017)	•	•	X	•	X	-	X
Soul (2008 - 2013)	•	•	X	•	-	-	-
⚡Soul EV (2013 - 2018)	•	•	X	•	-	-	-
⚡Soul (2018>)	•	•	X	•	-	-	-
Spectra (2000 - 2009)	•	•	X	•	-	-	-
Sportage (2004 - 2010)	•	•	X	•	-	-	-
Sportage (2011 - 2015)	•	•	X	•	-	-	-
Sportage (2015 - 2018)	X	•	X	•	-	-	-
Sportage (2018>)	•	•	X	•	-	-	-
Stonic (2017>)	•	•	X	•	-	-	-
Venga (2009 - 2014)	•	•	X	•	-	-	-
Venga (2014>)	•	•	X	•	-	-	-
Lancia							
Delta (2008 - 2013)	X	X	X	X	-	-	-
Flavia Convertible (2012 - 2015)	•	•	X	•	-	-	-
Musa (2003 - 2012)	•	•	X	•	-	-	-
Phedra (2002 - 2010)	•	•	X	•	-	-	-
Thema (2011 - 2014)	•	•	X	•	-	-	-

① ② ③ ④ ⑤ ⑥ ⑦

Voyager (2010 - 2015)	•	•	-	•	X	X	X
Ypsilon (2003 - 2006)	•	•	X	•	-	-	-
Ypsilon (2011 - 2015)	•	•	X	•	-	-	-

Land Rover

Discovery 4 (2009 - 2013)	•	•	X	•	-	-	-
Discovery 5 (2013 - 2017)	•	•	X	•	•	-	•
Discovery 5 (2017>)	•	•	•	•	•	-	-
Discovery Sport (2014>)	•	•	X	•	X	-	X
Freelander 2 (2006 - 2009)	X	•	X	•	-	-	-
Range Rover (2002 - 2012)	•	•	X	•	-	-	-
Range Rover (2013 - 2017)	•	•	X	•	-	-	-
Range Rover (2017>)	•	•	X	•	-	-	-
Range Rover Evoque 3dr (2011 - 2015)	X	•	X	•	-	-	-
Range Rover Evoque 5dr (2011 - 2015)	•	•	X	•	-	-	-
Range Rover Evoque 3dr (2018>)	•	•	X	•	-	-	-
Range Rover Evoque 5dr (2018>)	•	•	X	•	-	-	-
Range Rover Sport (2005 - 2012)	•	•	X	•	-	-	-
Range Rover Sport (2013 - 2017)	•	•	X	•	-	-	-
⚡Range Rover Sport (2017>)	•	•	X	•	-	-	-
Range Rover Velar (2017>)	•	•	X	•	-	-	-
Range Rover Vogue (2018>)	•	•	X	•	-	-	-

Lexus

CT (2011 - 2014)	X	•	X	•	-	-	-
CT (2017>)	•	•	X	•	-	-	-
GS (2000 - 2011)	X	•	X	•	-	-	-
⚡GSh (2013>)	X	•	X	•	-	-	-
IS Saloon (2005 - 2012)	X	•	X	•	-	-	-
IS Saloon (2016>)	•	•	X	•	-	-	-
LS430 (1997 - 2000)	X	•	X	•	-	-	-
⚡LS500h (2017>)	•	•	X	•	-	-	-
NX (2014 - 2017)	•	•	X	•	-	-	-
NX (2017>)	X	•	X	•	-	-	-
RC 3dr (2018>)	•	•	X	•	-	-	-
RX300/RX400 (2004 - 2008)	X	•	X	•	-	-	-
RX450h (2008 - 2012)	X	•	X	•	-	-	-
RX (2012 - 2016)	X	•	X	•	-	-	-

① ② ③ ④ ⑤ ⑥ ⑦

RX (2016>)	•	•	X	•	-	-	-
RXL (2018>)	•	•	X	•	-	-	-

Maserati

Gran Turismo (2007>)	X	•	X	•	-	-	-
Quattroporte (2003 - 2012)	X	•	X	•	-	-	-

Maybach

W240/V240 (2002 - 2012)	X	•	X	•	-	-	-
-------------------------	---	---	---	---	---	---	---

Mazda

2 (2007 - 2014)	•	•	X	•	-	-	-
2 (2014>)	X	•	X	•	-	-	-
2 Saloon (2007 - 2014)	•	•	X	•	-	-	-
3 Hatchback (2009 - 2013)	•	•	X	•	-	-	-
3 Hatchback (2013 - 2016)	•	•	X	•	-	-	-
3 Saloon (2009 - 2013)	•	•	X	•	-	-	-
323 (1998 - 2003)	•	•	X	•	-	-	-
5 (2005 - 2010)	•	•	X	•	-	-	-
6 (2002 - 2008)	•	•	X	•	-	-	-
6 Hatch (2007 - 2012)	•	•	X	•	-	-	-
6 (2018>)	•	•	X	•	-	-	-
6 Estate (2007 - 2013)	•	•	X	•	-	-	-
6 Estate (2012 - 2017)	•	•	X	•	-	-	-
6 Estate (2018>)	•	•	X	•	-	-	-
6 Saloon (2007 - 2009)	•	•	X	•	-	-	-
6 Saloon (2013>)	•	•	X	•	-	-	-
CX-3 (2015 - 2018)	•	•	X	•	-	-	-
CX-5 (2012 - 2016)	•	•	X	•	-	-	-
CX-5 (2016>)	•	•	X	•	-	-	-
CX-7 (2007 - 2011)	•	•	X	•	-	-	-
Demio (2002 - 2007)	•	•	X	•	-	-	-
MPV (1999 - 2004)	•	•	X	•	-	-	-
MX-5 (1998 - 2005)	X	-	-	-	-	-	-
MX-5 (2015>)	X	-	-	-	-	-	-
Premacy (1999 - 2005)	•	•	X	•	-	-	-
RX-8 (2003 - 2010)	•	•	X	•	-	-	-

① ② ③ ④ ⑤ ⑥ ⑦

Mercedes-Benz

Tribute (2001 - 2004)	•	•	X	•	-	-	-
Verisa (2004>)	•	•	X	•	-	-	-
A Class (2001 - 2005)	•	•	X	•	-	-	-
A Class (2005 - 2012)	•	•	X	•	-	-	-
A-Class (2012 - 2018)	•	•	X	•	-	-	-
B-Class (2005 - 2011)	•	•	X	•	-	-	-
B-Class (2011 - 2014)	•	•	X	•	-	-	-
⚡B-Class EV (2014 - 2018)	•	•	X	•	-	-	-
C-Class (2000 - 2007)	•	•	X	•	-	-	-
C-Class (2007 - 2014)	•	•	X	•	-	-	-
C-Class Coupe (2011 - 2013)	•	•	-	•	-	-	-
C-Class Estate (2007 - 2011)	•	•	X	•	-	-	-
C-Class Estate (2014>)	•	•	X	•	-	-	-
Citan (2012>)	•	•	X	•	-	-	-
CLA (2013 - 2016)	•	•	X	•	-	-	-
CLC (2008 - 2012)	•	•	X	•	-	-	-
CLK (2002 - 2010)	•	•	X	•	-	-	-
CLS Coupe (2004)	•	•	X	•	-	-	-
CLS Coupe (2011 - 2016)	•	•	X	•	-	-	-
CLS Coupe (2016>)	•	•	X	•	-	-	-
CLS Shooting Brake (2012 - 2017)	•	•	X	•	-	-	-
E-Class (2002 - 2009)	•	•	X	•	-	-	-
E-Class (2006 - 2009)	•	•	X	•	-	-	-
E-Class Coupe (2009 - 2012)	•	•	-	•	-	-	-
E-Class Coupe (2016>)	•	•	X	•	-	-	-
E-Class Estate (2013 - 2016)	•	•	X	•	-	-	-
E-Class Saloon (2009 - 2016)	•	•	X	•	-	-	-
E-Class Saloon (2016>)	•	•	X	•	-	-	-
GL Class (2006 - 2012)	•	•	X	•	X	-	X
GL Class (2012 - 2016)	•	•	X	•	X	-	X
GLA (2013 - 2017)	X	•	X	•	-	-	-
GLA (2017>)	•	•	X	•	-	-	-
GLC Coupe (2016>)	•	•	X	•	-	-	-
GLC SUV (2015>)	•	•	X	•	-	-	-
GLE (2015 - 2019)	•	•	X	•	-	-	-
GLK (2008 - 2015)	•	•	X	•	-	-	-
GLS (2016>)	•	•	X	•	•	-	•

① ② ③ ④ ⑤ ⑥ ⑦

MG

M (2011 - 2015)	•	•	X	•	-	-	-
M-Klasse (1997 - 2005)	•	•	X	•	-	-	-
ML-Class (2005 - 2012)	•	•	X	•	-	-	-
ML-Class (2012 - 2015)	•	•	X	•	-	-	-
R-Class (2005 - 2012)	•	•	X	•	-	-	-
S Class (2005 - 2015)	•	•	X	•	-	-	-
S-Class (2015 - 2018)	•	•	X	•	-	-	-
S-Class (2018>)	•	•	X	•	-	-	-
SL Class (2011 - 2016)	•	-	-	-	-	-	-
SLK (2011 - 2016)	•	-	-	-	-	-	-
Sprinter (2006)	•	•	X	•	-	-	-
V-Class (2014 - 2019)	•	•	•	•	•	•	•
Vaneo (2001 - 2005)	•	•	•	•	-	-	-
Viano (2003 - 2010)	•	•	X	•	•	-	•
Vito (2003 - 2014)	•	•	•	X	•	•	-
25 (1999 - 2005)	X	X	X	X	-	-	-
GS (2016>)	X	•	X	•	-	-	-
MG3 (2013>)	X	•	X	•	-	-	-
Streetwise (1999 - 2005)	X	X	X	X	-	-	-
ZR (2001 - 2005)	X	X	X	X	-	-	-
ZT (2003 - 2006)	X	X	X	X	-	-	-

MINI

Club Man (2007 - 2015)	•	•	X	•	-	-	-
Club Man (2015>)	•	•	X	•	-	-	-
Convertible (2018>)	•	•	X	•	-	-	-
Countryman (2010 - 2014)	X	•	X	•	-	-	-
Countryman 4 (2010 - 2014)	X	•	X	•	-	-	-
Countryman 5 (2010 - 2014)	X	•	X	•	-	-	-
Countryman (2014 - 2016)	•	•	X	•	-	-	-
Countryman (2016>)	•	•	X	•	-	-	-
Coupe (2009 - 2015)	•	-	-	-	-	-	-
Hatchback (2006 - 2014)	•	•	-	•	-	-	-
Hatchback (2014 - 2018)	•	•	-	•	-	-	-
Hatchback 3dr (2014 - 2018)	•	•	-	•	-	-	-
Hatchback 3dr (2018>)	•	•	-	•	-	-	-

① ② ③ ④ ⑤ ⑥ ⑦

Hatchback 5dr (2014 - 2018)	•	•	X	•	-	-	-
Hatchback 5dr (2018>)	•	•	X	•	-	-	-
Paceman (2013 - 2016)	•	•	-	•	-	-	-
R56 (2010 - 2015)	•	•	X	•	-	-	-
R57 (2007 - 2014)	•	•	X	•	-	-	-

Mitsubishi

ASX (2010 - 2012)	•	•	X	•	-	-	-
Colt (2004 - 2008)	•	•	X	•	-	-	-
Colt (2007 - 2013)	•	•	X	•	-	-	-
Grandis (2004 - 2011)	•	•	X	•	-	-	-
Lancer (2007 - 2011)	•	•	-	•	-	-	-
Lancer Evo (2003 - 2007)	•	•	-	•	-	-	-
Lancer Ralliart (2009 - 2011)	•	•	-	•	-	-	-
Lancer Sportback (2008 - 2012)	•	•	-	•	-	-	-
Mirage (2012>)	X	•	X	•	-	-	-
Outlander (2003 - 2007)	X	•	X	•	-	-	-
Outlander (2006 - 2013)	X	•	X	•	-	-	-
Outlander (2012 - 2016)	X	•	X	•	-	-	-
⚡Outlander PHEV (2016>)	X	•	X	•	-	-	-
Pajero (2006>)	•	•	X	•	-	-	-
Shogun (2007 - 2009)	•	•	X	•	-	-	-

Nissan

Almera (2000 - 2002)	X	•	X	•	-	-	-
Juke (2010>)	•	•	X	•	-	-	-
⚡Leaf EV (2010 - 2017)	X	•	X	•	-	-	-
⚡Leaf EV (2017>)	•	•	X	•	-	-	-
Maxima (1995 - 2000)	X	•	X	•	-	-	-
Micra (1998 - 2000)	X	•	X	•	-	-	-
Micra (2010 - 2013)	X	X	X	X	-	-	-
Micra (2017>)	•	•	X	•	-	-	-
Murano (2003 - 2007)	X	•	X	•	-	-	-
Murano (2016>)	X	•	X	•	-	-	-
Navara (2001 - 2005)	X	•	X	•	-	-	-
Note (2004 - 2010)	X	•	X	•	-	-	-
Note Acenta (2010 - 2013)	•	•	X	•	-	-	-
Note (2013 - 2017)	X	•	X	•	-	-	-

① ② ③ ④ ⑤ ⑥ ⑦

Pathfinder (2005 - 2007)	X	•	X	•	-	-	-
Pixo (2009 - 2013)	X	•	X	•	-	-	-
Primera (1996 - 2002)	X	•	X	•	-	-	-
Pulsar (2014>)	•	•	X	•	-	-	-
Qashqai +2 (2008 - 2015)	X	•	X	•	-	-	-
Qashqai (2007 - 2013)	X	•	X	•	-	-	-
Qashqai (2013 - 2018)	X	•	X	•	-	-	-
Qashqai (2018>)	•	•	X	•	-	-	-
Quest MPV (2011>)	X	•	-	•	X	-	X
Tiida (2004>)	X	•	X	•	-	-	-
2008 X-Trail (2001 - 2007)	X	•	X	•	-	-	-
2008 X-Trail (2007 - 2015)	X	•	X	•	-	-	-
X-Trail (2014 - 2017)	X	•	X	•	X	-	X
X-Trail (2017>)	•	•	X	•	-	-	-

Opel

Adam (2013>)	X	•	-	•	-	-	-
Agila (2000 - 2007)	•	•	X	•	-	-	-
Agila (2008 - 2015)	•	•	X	•	-	-	-
⚡Ampera (2011 - 2015)	X	•	-	•	-	-	-
Antara (2006 - 2015)	•	•	X	•	-	-	-
Astra (2004 - 2010)	X	X	X	X	-	-	-
Astra 5dr (2009 - 2015)	X	•	X	•	-	-	-
Astra (2015>)	X	•	X	•	-	-	-
Astra Estate (2010 - 2015)	X	•	X	•	-	-	-
Astra GTC (2011>)	X	•	X	•	-	-	-
Caravan (1998 - 2005)	•	•	X	•	-	-	-
Combo (2001 - 2011)	X	•	X	•	-	-	-
Corsa 3dr Hatch (2006 - 2015)	X	•	X	•	-	-	-
Corsa 5dr Hatch (2006 - 2015)	X	•	X	•	-	-	-
Corsa 5dr (2014>)	X	•	X	•	-	-	-
Corsa C (2000 - 2006)	•	•	X	•	-	-	-
Corsa D (2006 - 2014)	X	•	X	•	-	-	-
Corsa VXR (2007 - 2014)	X	•	X	•	-	-	-
Insignia Hatch (2008 - 2013)	•	•	X	•	-	-	-
Insignia Saloon (2008 - 2013)	•	•	X	•	-	-	-
Insignia Sports Tourer (2009 - 2013)	•	•	X	•	-	-	-
Karl (2015>)	•	•	X	•	-	-	-
Meriva (2002 - 2010)	•	•	X	•	-	-	-

① ② ③ ④ ⑤ ⑥ ⑦

Meriva (2010 - 2014)	X	.	X	.	-	-	-
Mokka (2012 - 2016)	X	.	X	.	-	-	-
Signum (2003 - 2008)	X	.	X	.	-	-	-
Vectra (2002 - 2008)	X	.	X	.	-	-	-
Vectra (2008 - 2014)	X	.	X	.	-	-	-
Vivaro (2001 - 2014)	X	.	X	.	-	-	-
Zafira (2005 - 2014)	X	.	X	.	-	-	-
Zafira Tourer (2011 - 2016)	X	.	X	.	X	-	X

Peugeot

107 (2005 - 2014)	X	.	-	.	-	-	-
108 3dr (2014>)	.	.	X	.	-	-	-
108 5dr (2014>)	.	.	X	.	-	-	-
206 (1998 - 2009)	X	.	X	.	-	-	-
206 3dr (2004 - 2009)	X	X	X	X	-	-	-
207 3dr (2006 - 2012)	X	.	X	.	-	-	-
207 5dr (2006 - 2012)	X	.	X	.	-	-	-
207 SW (2007 - 2012)	X	.	X	.	-	-	-
208 3dr (2012>)	.	.	X	.	-	-	-
208 5dr (2012>)	.	.	X	.	-	-	-
307 (2001 - 2008)	X	.	X	.	-	-	-
307 Estate (2002 - 2007)	X	.	X	.	-	-	-
308 (2014 - 2017)	X	.	X	.	-	-	-
308 (2017>)	.	.	X	.	-	-	-
308 Hatch (2007 - 2014)	X	.	X	.	-	-	-
308 SW (2008 - 2015)	X	.	X	.	-	-	-
308 SW (2014 - 2017)	X	.	X	.	-	-	-
308 SW (2017>)	.	.	X	.	-	-	-
406 (1999 - 2004)	X	.	X	.	-	-	-
407 (2004 - 2011)	X	.	X	.	-	-	-
407 SW (2004 - 2011)	X	.	X	.	-	-	-
508 (2011 - 2014)	X	X	X	X	-	-	-
508 (2018>)	X	.	X	.	-	-	-
508 RXH (2011 - 2014)	X	.	X	.	-	-	-
508 SW (2010 - 2014)	X	.	X	.	-	-	-
607 (2000 - 2009)	X	.	X	.	-	-	-
807 (2002 - 2010)	X	.	X	.	.	-	.
1007 (2005 - 2009)	X	.	X	.	-	-	-
2008 (2013>)	.	.	X	.	-	-	-

Pontiac

Grand AM (1998 - 2004)	X	.	X	.	-	-	-
------------------------	---	---	---	---	---	---	---

Porsche

Cayenne (2002 - 2006)	.	.	X	.	-	-	-
Cayenne (2010 - 2015)	X	.	X	.	-	-	-
⚡Cayenne E-Hybrid (2015 - 2017)	X	.	X	.	-	-	-
⚡Cayenne E-Hybrid (2017>)	.	.	X	.	-	-	-
Macan (2014 - 2018)	.	.	X	.	-	-	-
Macan Turbo (2018>)	.	.	X	.	-	-	-
Panamera (2009 - 2013)	X	.	-	.	-	-	-
⚡Panamera E-Hybrid (2016>)	.	.	-	.	-	-	-
⚡Panamera (2016>)	.	.	-	.	-	-	-
Panamera Estate (2017>)	X	.	-	.	-	-	-

Renault

Avantime (2001 - 2003)	X	.	X	.	-	-	-
Captur (2013 - 2017)	.	.	X	.	-	-	-
Captur (2017>)	.	.	X	.	-	-	-
Clio (1998 - 2003)	.	.	X	.	-	-	-
Clio (2005 - 2012)	X	.	X	.	-	-	-
Clio (2013 - 2016)	X	.	X	.	-	-	-
Clio (2016>)	.	.	X	.	-	-	-

① ② ③ ④ ⑤ ⑥ ⑦

① ② ③ ④ ⑤ ⑥ ⑦

Clio Sport (2006 - 2012)	•	•	X	•	-	-	-
Clio Sport (2013>)	•	•	X	•	-	-	-
Clio Sport Tourer (2007 - 2012)	X	•	X	•	-	-	-
Clio Sport Tourer (2013 - 2016)	X	•	X	•	-	-	-
Clio Sport Tourer (2016>)	X	•	X	•	-	-	-
Espace (2003 - 2012)	X	•	X	•	•	-	•
Fluence (2009 - 2014)	X	•	X	•	-	-	-
Grand Espace (1998 - 2002)	X	•	•	•	•	-	•
Grand Espace (2002 - 2012)	X	•	X	•	•	-	•
Grand Modus (2008 - 2012)	X	•	X	•	-	-	-
Grand Scenic (2006 - 2009)	X	X	•	X	-	-	-
Kangoo (1997 - 2003)	X	X	•	X	-	-	-
Kangoo (2008 - 2013)	X	•	X	•	-	-	-
Kadjar (2015 - 2018)	X	•	X	•	-	-	-
Kadjar (2018>)	•	•	X	•	-	-	-
Koleos (2016>)	•	•	X	•	-	-	-
Laguna (2001 - 2007)	X	•	X	•	-	-	-
Laguna (2008>)	X	•	X	•	-	-	-
Laguna Grand Tour (2007 - 2010)	X	•	X	•	-	-	-
Laguna Sport Tourer (2008 - 2012)	X	•	X	•	-	-	-
Megane (1996 - 1999)	X	•	X	•	-	-	-
Megane (2006 - 2009)	X	•	X	•	-	-	-
Megane (2017>)	X	•	X	•	-	-	-
Megane Coupe (2002 - 2006)	X	•	X	•	-	-	-
Megane Grand Tour (1999 - 2003)	X	•	X	•	-	-	-
Megane Grand Tour (2009)	X	•	X	•	-	-	-
Megane Hatch (2002 - 2009)	X	•	X	•	-	-	-
Megane Hatch (2008 - 2016)	X	•	X	•	-	-	-
Megane Hatch (2016>)	X	•	X	•	-	-	-
Megane Scenic (2003 - 2009)	X	•	X	•	-	-	-
Megane Sport Tourer (2009 - 2016)	X	•	X	•	-	-	-
Megane Sport Tourer (2016>)	•	•	X	•	-	-	-
Modus (2004 - 2012)	X	•	X	•	-	-	-
Grand Modus (2008 - 2012)	X	•	X	•	-	-	-
Sandero (2012>)	X	•	X	•	-	-	-
Scenic/Grand Scenic (1995 - 1999)	•	•	X	•	-	-	-
Scenic (2003 - 2009)	X	•	X	•	-	-	-
Scenic (2009 - 2016)	X	•	X	•	-	-	-
Scenic (2016>)	X	X	X	X	-	-	-
Trafic (2001 - 2007)	X	X	•	X	-	•	-

SAAB

Trafic (2007 - 2010)	X	•	•	X	-	-	-
Twingo (1998 - 2007)	•	•	X	•	-	-	-
Twingo (2007 - 2014)	X	•	-	•	-	-	-
Twingo (2014 - 2018)	X	•	-	•	-	-	-
Twingo (2018>)	•	•	-	•	-	-	-
Vel Satis (2002 - 2005)	X	•	X	•	-	-	-
⚡Zoe (2012>)	•	•	X	•	-	-	-

SEAT

9-3 (2002 - 2012)	•	•	X	•	-	-	-
9-3 Sport Wagon (2005 - 2012)	•	•	X	•	-	-	-
9-3 X (2009 - 2012)	•	•	X	•	-	-	-
9-5 (2011 - 2012)	•	•	X	•	-	-	-
9-5 Estate (2005 - 2010)	•	•	X	•	-	-	-
Alhambra (1995 - 2010)	•	•	•	•	•	-	•
Alhambra (2010>)	•	•	X	•	-	-	-
Altea (2004 - 2011)	•	•	X	•	-	-	-
Altea Freetrack4 (2007- 2009)	•	•	X	•	-	-	-
Altea XL (2006 - 2011)	•	•	X	•	-	-	-
Arona (2017>)	•	•	X	•	-	-	-
Arosa (1997 - 2004)	•	•	-	•	-	-	-
Ateca Estate (2016>)	•	•	X	•	-	-	-
Cordoba Vario (1996 - 2002)	•	•	-	•	-	-	-
Exeo (2008 - 2014)	•	•	X	•	-	-	-
Exeo ST Estate (2008 - 2014)	•	•	X	•	-	-	-
Ibiza (1993 - 2002)	•	•	X	•	-	-	-
Ibiza (2002 - 2008)	•	•	X	•	-	-	-
Ibiza Cupra (2009 - 2012)	•	•	X	•	-	-	-
Ibiza Hatch (2008 - 2013)	•	•	X	•	-	-	-
Ibiza (2017>)	•	•	X	•	-	-	-
Ibiza FR (2009 - 2017)	•	•	X	•	-	-	-
Ibiza FR (2017>)	•	•	X	•	-	-	-
Inca (1995 - 2003)	•	•	X	•	-	-	-
Leon (1998 - 2005)	•	•	X	•	-	-	-
Leon Hatch (2005 - 2012)	•	•	X	•	-	-	-
Leon (2012>)	•	•	X	•	-	-	-

① ② ③ ④ ⑤ ⑥ ⑦

① ② ③ ④ ⑤ ⑥ ⑦

Skoda

Leon Cupra (2007 - 2011)	•	•	X	•	-	-	-
Leon Cupra Special Edition (2018>)	•	•	X	•	-	-	-
Leon FR (2006 - 2012)	•	•	X	•	-	-	-
Leon FR (2012>)	•	•	X	•	-	-	-
Leon Sport Tourer (2013>)	•	•	X	•	-	-	-
Mii 3dr (2012>)	•	•	X	•	-	-	-
Mii 5dr (2012>)	•	•	X	•	-	-	-
Toledo (1994 - 2004)	•	•	X	•	-	-	-
Toledo (2012>)	•	•	X	•	-	-	-
Citigo 3dr (2011 - 2017)	X	•	X	•	-	-	-
Citigo 5dr (2012 - 2017)	X	•	X	•	-	-	-
Citigo 3dr (2017>)	•	X	X	X	-	-	-
Citigo 5dr (2017>)	•	X	X	X	-	-	-
Fabia (1999 - 2007)	X	•	X	•	-	-	-
Fabia Hatch (2007 - 2014)	X	•	X	•	-	-	-
Fabia (2014 - 2018)	•	•	X	•	-	-	-
Fabia (2018>)	X	•	X	•	-	-	-
Fabia Estate Combi (2008 - 2014)	X	•	X	•	-	-	-
Fabia Estate (2018>)	•	•	X	•	-	-	-
Karoq (2017>)	•	•	X	•	-	-	-
Kodiaq (2018>)	•	•	X	•	-	-	-
Octavia (1996 - 2004)	•	•	X	•	-	-	-
Octavia Hatch (2004 - 2012)	•	•	X	•	-	-	-
Octavia Hatch (2013 - 2017)	•	•	X	•	-	-	-
Octavia Hatch (2017>)	•	•	X	•	-	-	-
Octavia Estate Combi (2005 - 2013)	•	•	X	•	-	-	-
Octavia Estate (2017>)	•	•	X	•	-	-	-
Octavia Scout (2007 - 2013)	•	•	X	•	-	-	-
Rapid (2013>)	•	•	X	•	-	-	-
Roomster (2006 - 2015)	•	•	X	•	-	-	-
Superb (2001 - 2008)	•	•	X	•	-	-	-
Superb (2008 - 2014)	•	•	X	•	-	-	-
Superb Estate (2015>)	•	•	X	•	-	-	-
Superb Hatch (2015>)	•	•	X	•	-	-	-
Superb Combi/Estate (2008 - 2013)	X	•	X	•	-	-	-
Yeti (2009 - 2013)	•	•	X	•	-	-	-

Smart

For Two Coupe (2007 - 2011)	X	-	-	-	-	-	-
For Two Coupe (2014>)	•	-	-	-	-	-	-
FourFour (2004 - 2006)	X	•	X	•	-	-	-
FourFour (2014>)	•	•	-	•	-	-	-

Ssangyong

Actyon (2006 - 2011)	X	X	X	X	-	-	-
Korando (2011- 2017)	X	•	X	•	-	-	-
Musso Pickup (2016>)	X	X	-	X	-	-	-
Rexton (2014 - 2016)	X	•	X	•	-	-	-
Tivoli (2015>)	X	•	X	•	-	-	-
Turismo (2013>)	X	•	-	•	X	X	X

Subaru

BRZ (2012>)	X	X	-	X	-	-	-
Forester (2003 - 2008)	X	•	X	•	-	-	-
Forester (2013 - 2018)	X	•	X	•	-	-	-
Impreza 5dr (2007 - 2012)	X	•	X	•	-	-	-
Impreza 5dr (2012 - 2016)	X	•	X	•	-	-	-
Justy (2004 - 2007)	X	•	X	•	-	-	-
Legacy (2003 - 2006)	X	•	X	•	-	-	-
Legacy (2009 - 2014)	X	•	X	•	-	-	-
Outback (2009 - 2014)	X	•	X	•	-	-	-
Sedan (2002 - 2004)	X	•	X	•	-	-	-
Wagon (2002 - 2004)	X	•	X	•	-	-	-
XV Hatchback (2011 - 2015)	X	•	X	•	-	-	-

Suzuki

Alto (2009>)	X	•	-	•	-	-	-
Baleno (2016>)	X	X	X	X	-	-	-
Grand Vitara (2002 - 2008)	X	•	X	•	-	-	-
Grand Vitara (2008>)	X	•	X	•	-	-	-
Ignis (2003 - 2006)	X	•	X	•	-	-	-
Kizashi (2009>)	X	•	X	•	-	-	-
Liana (2001 - 2007)	X	•	X	•	-	-	-
Splash (2007>)	X	X	X	X	-	-	-
Swift (2004 - 2010)	X	•	X	•	-	-	-

① ② ③ ④ ⑤ ⑥ ⑦

① ② ③ ④ ⑤ ⑥ ⑦

Swift Sport (2011 - 2016)	X	•	X	•	-	-	-
SX-4 (2006 - 2013)	X	•	X	•	-	-	-
SX-4 Saloon (2006>)	X	•	X	•	-	-	-
Vitara (2014>)	•	•	X	•	-	-	-
Wagon R+ (2000 - 2003)	X	•	X	•	-	-	-

TATA

Indica Vista (2008 - 2013)	X	•	X	•	-	-	-
----------------------------	---	---	---	---	---	---	---

Tesla

⚡Model S (2014>)	X	•	X	•	-	-	-
⚡Model X (2016>)	X	•	X	•	•	X	•

Toyota

Auris (2007 - 2012)	•	•	X	•	-	-	-
Auris (2013 - 2015)	•	•	X	•	-	-	-
Auris (2018>)	•	•	X	•	-	-	-
Avensis Hatch (2003 - 2011)	X	•	X	•	-	-	-
Avensis Tourer (2009 - 2011)	X	•	X	•	-	-	-
Aygo 3dr (2005 - 2014)	•	•	-	•	-	-	-
Aygo (2014 - 2018)	•	•	-	•	-	-	-
Aygo (2018>)	•	•	-	•	-	-	-
Camry (1997 - 2001)	•	•	X	•	-	-	-
Corolla (2002 - 2007)	•	•	X	•	-	-	-
C-HR (2016>)	X	•	X	•	-	-	-
EZ MPV (Verso) (2013>)	•	•	X	•	-	-	-
GT86 (2012 - 2016)	•	X	-	X	-	-	-
GT86 (2016>)	•	•	-	•	-	-	-
Highlander (2013 - 2016)	X	•	X	•	-	-	-
IQ (2008 - 2015)	X	•	X	•	-	-	-
Landcruiser (2002 - 2009)	•	•	X	•	-	-	-
Landcruiser (2009 - 2013)	X	•	X	•	-	-	-
Landcruiser (2017>)	X	•	X	•	-	-	-
Previa (2000 - 2009)	X	•	X	•	-	-	-
⚡Prius (2009 - 2011)	X	X	X	X	-	-	-
⚡Prius 2 (2004 - 2010)	X	X	X	X	-	-	-
⚡Prius 3 (2010 - 2016)	X	•	X	•	-	-	-

① ② ③ ④ ⑤ ⑥ ⑦

⚡Prius 4 (2016>)	X	•	X	•	-	-	-
⚡Prius Plus+ (2011 - 2015)	X	•	X	•	-	-	-
⚡Prius PHEV 3 (2015>)	X	X	X	X	-	-	-
RAV4 (2000 - 2006)	X	•	X	•	-	-	-
RAV4 (2013 - 2015)	X	•	X	•	-	-	-
RAV4 (2018>)	•	•	X	•	-	-	-
RAV4 MK3 (2006 - 2011)	X	•	X	•	-	-	-
Urban Cruiser (2009 - 2012)	X	•	X	•	-	-	-
Verso (2009 - 2012)	X	•	X	•	-	-	-
Verso (2013>)	X	•	X	•	-	-	-
Yaris (1999 - 2005)	X	•	X	•	-	-	-
Yaris (2008 - 2011)	X	•	X	•	-	-	-
Yaris Hatch (2011 - 2014)	X	X	X	X	-	-	-
Yaris Hatch (2014 - 2017)	X	•	X	•	-	-	-
Yaris Hatch (2017>)	X	•	X	•	-	-	-

Vauxhall

Adam (2012>)	•	•	-	•	-	-	-
Agila (2000 - 2007)	•	•	X	•	-	-	-
Agila (2008 - 2013)	•	•	X	•	-	-	-
⚡Ampera (2011 - 2015)	•	•	-	•	-	-	-
Antara (2006 - 2015)	•	•	X	•	-	-	-
Astra (2004 - 2010)	X	X	X	X	-	-	-
Astra (2015>)	X	•	X	•	-	-	-
Astra 5dr (2009 - 2015)	X	•	X	•	-	-	-
Astra Estate (2010 - 2012)	X	•	X	•	-	-	-
Astra GTC (2011>)	X	•	X	•	-	-	-
Astra Sport Tourer (2012>)	X	•	X	•	-	-	-
Caravan (1998 - 2005)	•	•	X	•	-	-	-
Combo (2001 - 2011)	X	•	X	•	-	-	-
Corsa 3dr Hatch (2006 - 2015)	X	•	X	•	-	-	-
Corsa 5dr Hatch (2006 - 2015)	X	•	X	•	-	-	-
Corsa 3dr (2014>)	•	•	X	•	-	-	-
Corsa 5dr (2014>)	•	•	X	•	-	-	-
Corsa C (2000 - 2006)	•	•	X	•	-	-	-
Corsa D (2006 - 2014)	X	•	X	•	-	-	-
Corsa VXR (2007 - 2014)	X	•	X	•	-	-	-
Crossland X (2017>)	•	•	X	•	-	-	-
Grandland X (2017>)	•	•	X	•	-	-	-

① ② ③ ④ ⑤ ⑥ ⑦

Insignia Hatch (2008 - 2013)	X	•	X	•	-	-	-
Insignia Hatch (2013>)	X	•	X	•	-	-	-
Insignia Saloon (2008 - 2013)	X	•	X	•	-	-	-
Insignia Sports Tourer (2009 - 2013)	•	•	X	•	-	-	-
Karl (2015>)	X	•	X	•	-	-	-
Meriva (2002 - 2010)	•	•	X	•	-	-	-
Meriva (2010 - 2014)	X	•	X	•	-	-	-
Mokka (2012 - 2016)	X	•	X	•	-	-	-
Mokka X (2012>)	•	•	X	•	-	-	-
Signum (2003 - 2008)	X	•	X	•	-	-	-
Vectra (2002 - 2008)	X	•	X	•	-	-	-
Vivaro (2001 - 2014)	X	•	X	•	-	-	-
Viva (2015>)	•	•	X	•	-	-	-
Zafira (2005 - 2014)	•	•	X	•	-	-	-
Zafira Tourer (2011 - 2016)	•	•	X	•	•	-	•

Volvo

C30 (2006 - 2013)	X	•	-	•	-	-	-
C70 (2005 - 2013)	X	•	X	•	-	-	-
S40 (2003 - 2012)	X	•	X	•	-	-	-
S60 (2010 - 2013)	X	•	X	•	-	-	-
S80 (2006 - 2008)	X	•	X	•	-	-	-
S90 (2016>)	X	•	X	•	-	-	-
V40 (1996 - 2004)	X	•	X	•	-	-	-
V40 (2012 - 2016)	X	•	X	•	-	-	-
V40 (2016>)	•	•	X	•	-	-	-
V40 Cross Country (2012 - 2016)	X	•	X	•	-	-	-
V40 Cross Country (2016>)	•	•	X	•	-	-	-
V50 (2004 - 2012)	X	•	X	•	-	-	-
V60 (2010 - 2013)	X	•	X	•	-	-	-
⚡V60 PHEV (2014 - 2018)	X	•	X	•	-	-	-
V60 (2018>)	•	•	X	•	-	-	-
V70 (2007- 2016)	X	•	X	•	-	-	-
V90 (2016>)	•	•	X	•	-	-	-
V90 Cross Country (2016>)	•	•	X	•	-	-	-
XC40 (2017>)	•	•	X	•	-	-	-
XC60 (2008 - 2013)	X	•	X	•	-	-	-
XC60 (2013 - 2017)	X	•	X	•	-	-	-
XC60 (2017>)	•	•	X	•	-	-	-

VW

XC70 (2000 - 2007)	X	•	X	•	-	-	-
XC70 (2007 - 2016)	X	•	X	•	-	-	-
XC90 (2003 - 2015)	X	•	X	•	-	-	-
XC90 (2014>)	•	•	X	•	X	-	X
Amarok (2009 - 2016)	X	•	X	•	-	-	-
Beetle (1998 - 2005)	X	•	X	•	-	-	-
Beetle (2011>)	X	•	-	•	-	-	-
Bora (1998 - 2005)	X	•	X	•	-	-	-
Caddy (2000 - 2010)	X	•	X	•	-	-	-
Caddy (2010 - 2013)	X	•	-	•	X	-	X
Caddy Maxlife (2010 - 2015)	X	•	X	•	X	-	X
⚡E-Golf Hatch Mk7 (2014 - 2016)	X	•	X	•	-	-	-
EOS (2006 - 2011)	•	•	X	•	-	-	-
Fox (2005>)	X	•	X	•	-	-	-
⚡Golf E (2014>)	X	•	X	•	-	-	-
Golf 4 (1997 - 2003)	X	•	X	•	-	-	-
Golf 4 Variant (1996 - 2006)	X	•	X	•	-	-	-
Golf Hatch Mk5 (2004 - 2008)	X	•	X	•	-	-	-
Golf Mk5 (2006 - 2009)	X	•	X	•	-	-	-
Golf Hatch (2008 - 2012)	X	•	X	•	-	-	-
Golf Hatch MK7 (2012>)	X	•	X	•	-	-	-
Golf Cabriolet (2009 - 2012)	X	•	-	•	-	-	-
Golf Estate (2017>)	•	•	X	•	-	-	-
⚡Golf GTE Hatch Mk7 (2014 - 2017)	X	•	X	•	-	-	-
Golf Plus (2009 - 2011)	X	•	X	•	-	-	-
Golf (2017>)	•	•	X	•	-	-	-
Golf Sportsvan (2017>)	X	•	X	•	-	-	-
Jetta (2010 - 2014)	X	•	X	•	-	-	-
Lupo (1999 - 2005)	X	•	X	•	-	-	-
LT (1999 - 2006)	X	•	X	•	-	-	-
Multivan Caravelle (2008>)	X	•	-	•	•	X	•
Multivan (1999 - 2003)	X	•	X	•	•	-	•
Multivan (2003>)	X	•	X	•	•	-	•
New Beetle (1998 - 2002)	X	•	X	•	-	-	-
Passat (1996 - 2005)	•	•	X	•	-	-	-
Passat (2005 - 2010)	•	•	X	•	-	-	-
Passat (2010 - 2015)	•	•	X	•	-	-	-

① ② ③ ④ ⑤ ⑥ ⑦

① ② ③ ④ ⑤ ⑥ ⑦

Passat Estate (2005 - 2011)	•	•	X	•	-	-	-
Passat Estate (2011 - 2015)	•	•	X	•	-	-	-
Passat Estate (2015>)	•	•	X	•	-	-	-
Passat Saloon (2015>)	•	•	X	•	-	-	-
Passat Alltrack (2012 - 2015)	•	•	X	•	-	-	-
Passat CC (2008 - 2011)	•	•	X	•	-	-	-
Phaeton (2002 - 2015)	•	•	X	•	-	-	-
Polo 3 (1994 - 2001)	•	•	X	•	-	-	-
Polo 4 (2005 - 2009)	•	•	X	•	-	-	-
Polo 5 (2009 - 2014)	•	•	X	•	-	-	-
Polo 3dr (2009 - 2014)	•	•	X	•	-	-	-
Polo 5dr (2009 - 2014)	•	•	X	•	-	-	-
Polo 5dr (2014 - 2017)	•	•	X	•	-	-	-
Polo (2017>)	•	•	X	•	-	-	-
Scirocco (2008 - 2014)	X	•	-	•	-	-	-
Scirocco (2014>)	X	•	-	•	-	-	-
Sharan (1996 - 2000)	X	•	•	•	•	-	•
Sharan (2000 - 2010)	X	•	•	•	-	-	-
Sharan (2010>)	•	•	•	•	•	-	•
T4 Caravelle (1999)	X	•	•	X	X	X	X
T5 Kombi (2003 - 2010)	X	•	•	X	-	-	-
Tiguan (2007 - 2016)	•	•	X	•	-	-	-
Tiguan (2016>)	•	•	X	•	-	-	-
Touareg (2002 - 2010)	X	•	X	•	-	-	-
Touareg (2010 - 2014)	•	•	X	•	-	-	-
Touareg (2018>)	•	•	X	•	-	-	-
Touareg MK 1 (2003 - 2010)	X	•	X	•	-	-	-
Touran (2003 - 2010)	X	•	X	•	-	-	-
Touran (2010 - 2015)	X	•	X	•	X	-	X
Touran (2015>)	X	•	X	•	•	-	•
Transporter LT3 (1996 - 2006)	•	•	X	•	-	-	-
T-ROC (2017>)	X	•	X	•	-	-	-
UP! (2011 - 2016)	X	•	X	•	-	-	-
⚡E - UP! (2014 - 2016)	X	•	X	•	-	-	-
⚡E - UP! 3dr (2016>)	•	•	X	•	-	-	-
⚡E - UP! 5dr (2016>)	•	•	X	•	-	-	-

