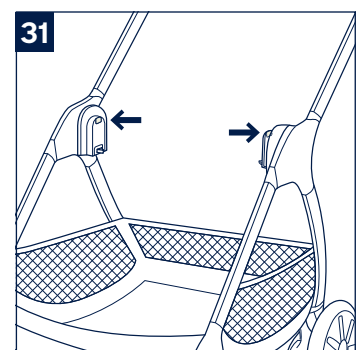
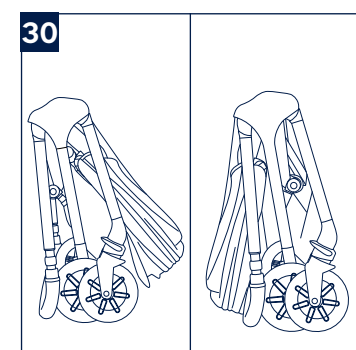
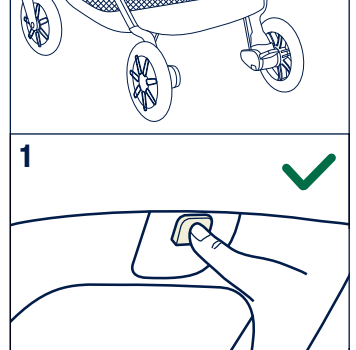
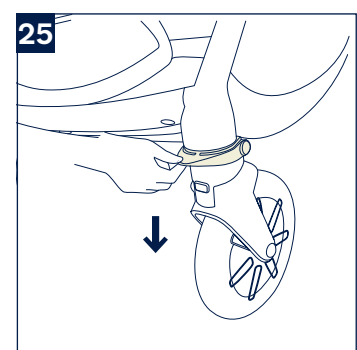
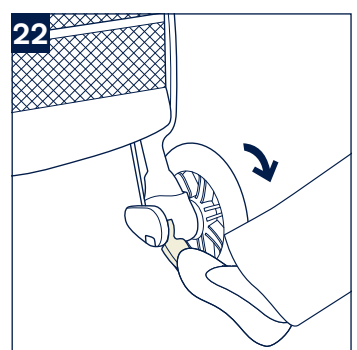
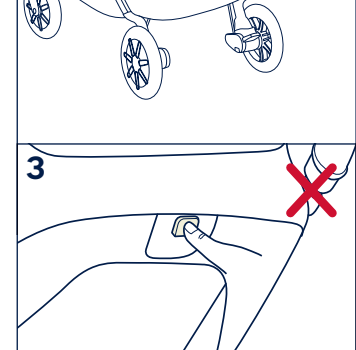
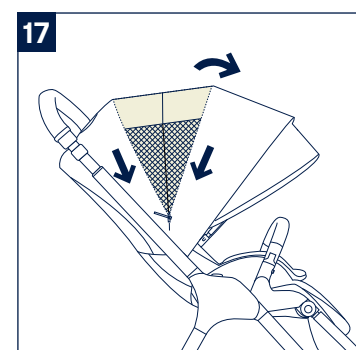
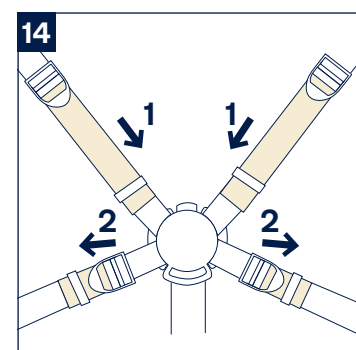
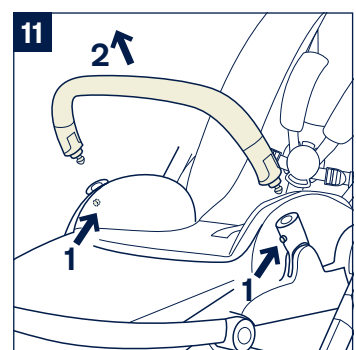
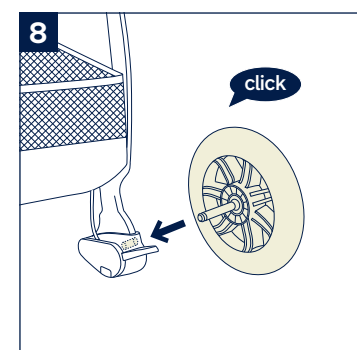
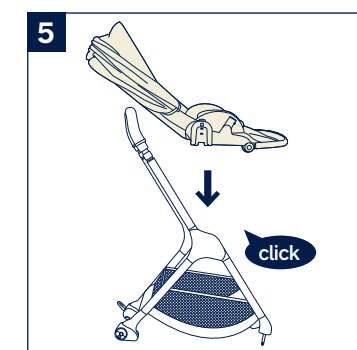
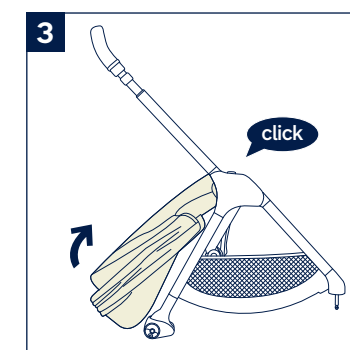
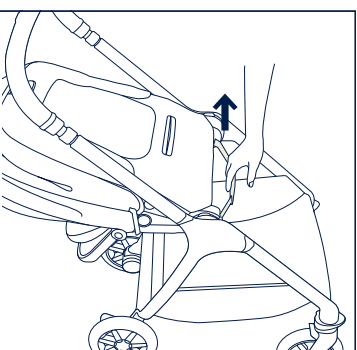
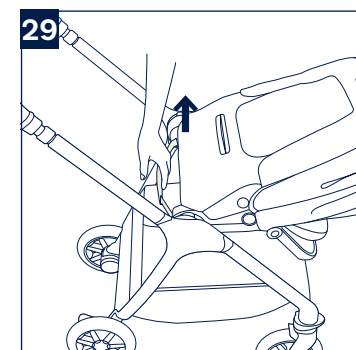
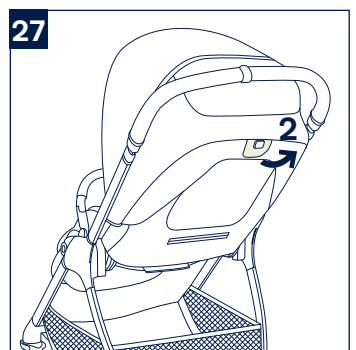
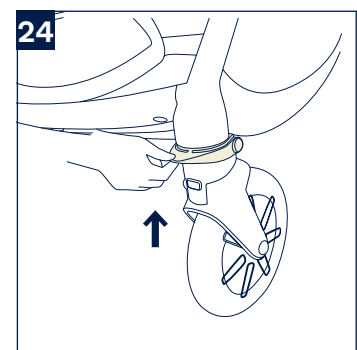
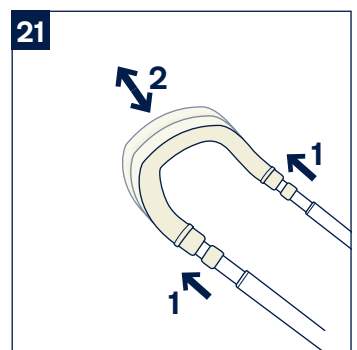
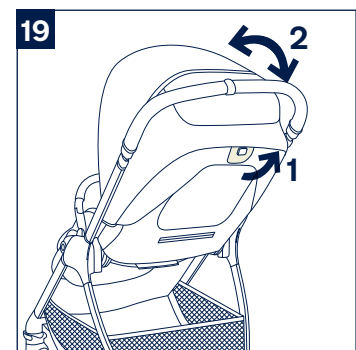
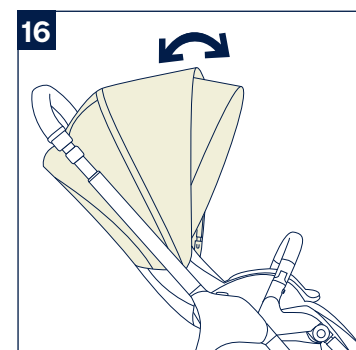
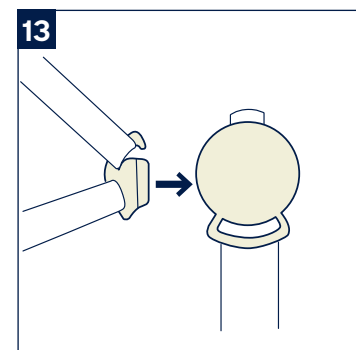
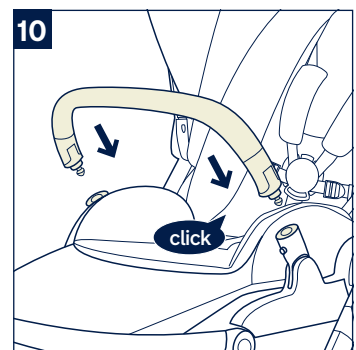
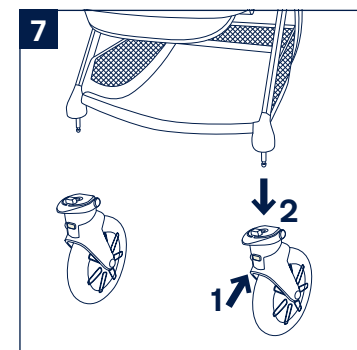
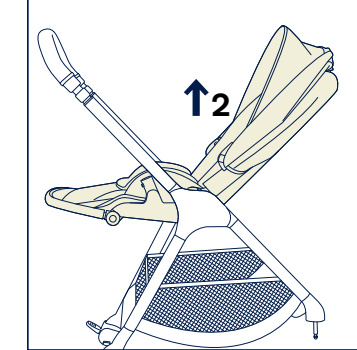
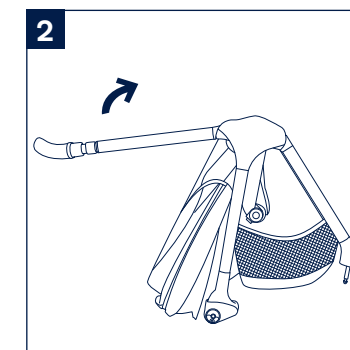
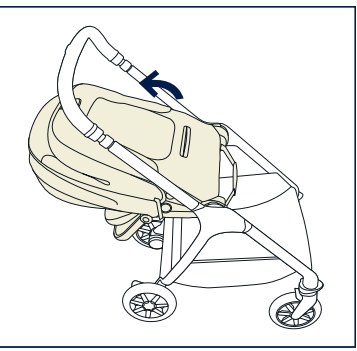
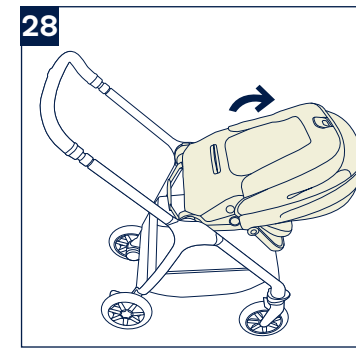
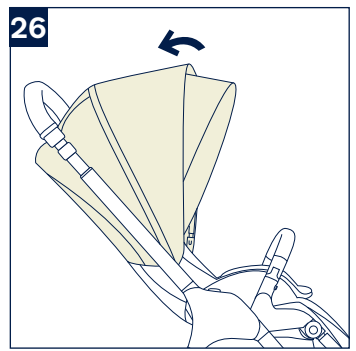
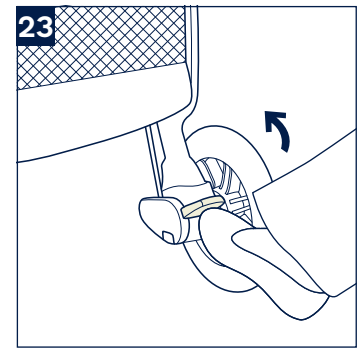
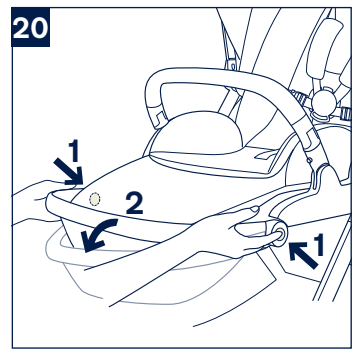
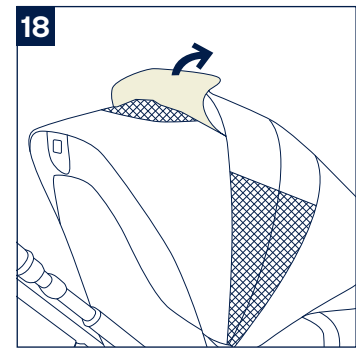
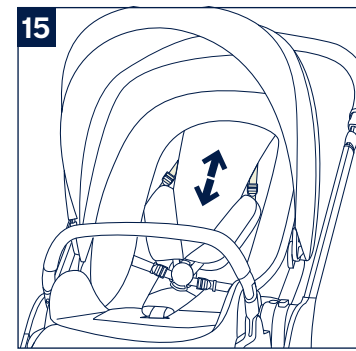
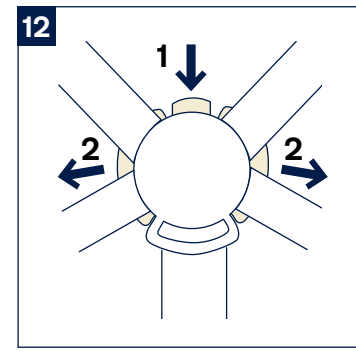
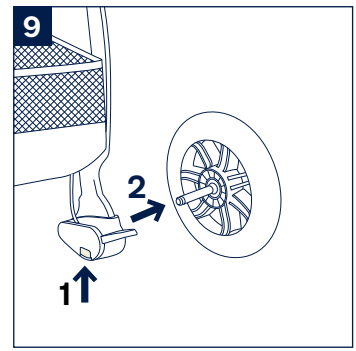
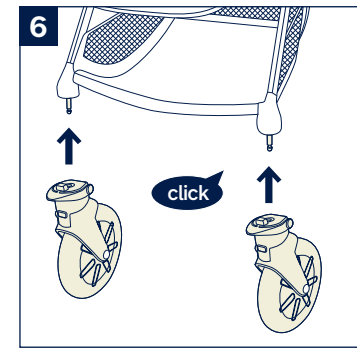
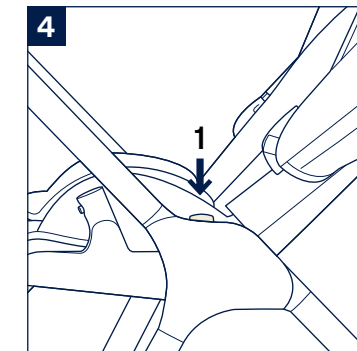
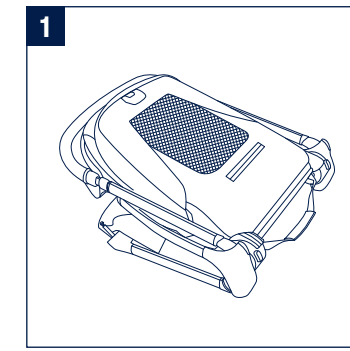
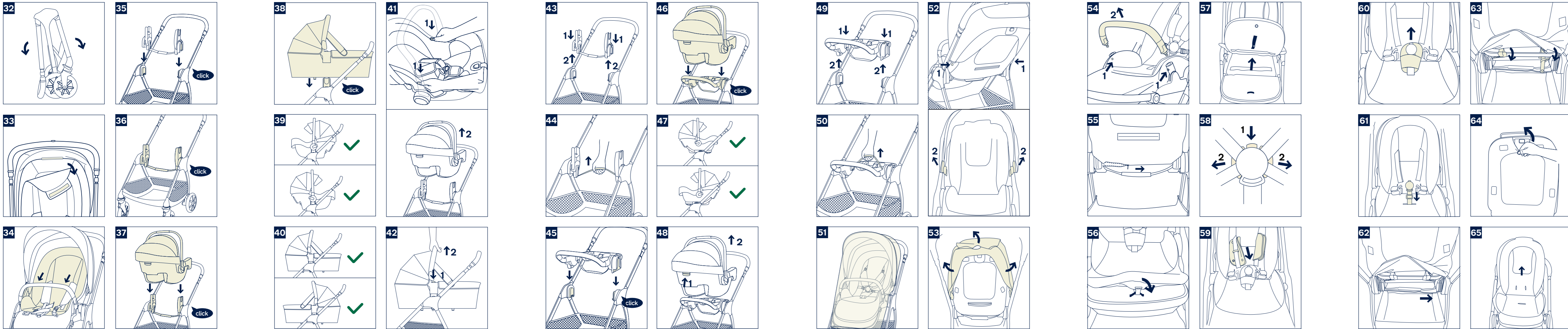


Designed  
around your life

nuna®





**IMPORTANT!  
READ CAREFULLY  
AND KEEP FOR  
FUTURE REFERENCE**

**Contents**

Product Information	2
Product Registration	
Warranty	
Contact	
Child Usage Requirements	3
Warnings	4
Parts List	8
Product Set Up	10
Product Use	12
Accessories	15
Detach & Assemble Soft Goods	17
Cleaning and Maintenance	18
繁中	20

## Product Information

Model Number: \_\_\_\_\_

Manufactured Date: \_\_\_\_\_

### Product Registration

Please fill in the above information. The model number and the manufactured date are located on a label on the stroller frame.

To register your product please visit:

[www.nunababy.com](http://www.nunababy.com)

Click the “Register Gear” link on the homepage.

### Warranty

We have purposely designed our high-quality products so that they can grow with both your child and your family. Because we stand by our product, our gear is covered by a custom warranty per product, starting from the day it was purchased. Please have the proof of purchase, model number and manufactured date available when you contact us.

For warranty information please visit:

[www.nunababy.com](http://www.nunababy.com)

Click the “Warranty” link on the homepage.

### Contact

For replacement parts, service, or additional warranty questions, please contact our customer service department.

[info@nunababy.com](mailto:info@nunababy.com)

[www.nunababy.com](http://www.nunababy.com)

**In the United Kingdom:**

[infouk@nunababy.com](mailto:infouk@nunababy.com)

[www.nunababy.com](http://www.nunababy.com)

**NUNA International B.V.**

Van der Valk Boumanweg 178 C

2352JD Leiderdorp

The Netherlands

## Child Usage Requirements

This stroller seat is suitable for use with children who meet the following requirements:

Birth to 22 kg or 4 years whichever comes first

When using the stroller frame with carry cot or Nuna infant carriers, refer to the child usage requirements listed in those instruction manuals.



## **! WARNING**

Failure to follow these warnings and instructions could result in serious injury or death.

Always use the restraint system.

Check that the pram body or seat unit or car seat attachment devices are correctly engaged before use.

Do not let the child play with this product.

Ensure that all the locking devices are engaged before use.

Never leave the child unattended.

This product is not suitable for running or skating.

To avoid injury ensure that the child is kept away when unfolding and folding this product.

Accessories which are not approved by the manufacturer shall not be used. Only replacement parts supplied or recommended by the manufacturer/distributor shall be used.

Adult assembly required.

**ALWAYS** set the parking brake when you stop.

Any damage caused by the use of accessories not supplied by Nuna will not be covered in terms of warranty.

Any load attached to the handle and/or on the back of the backrest and/or on the sides of the vehicle will affect the stability of the vehicle.

Be certain the stroller is fully erected and latched before allowing your child near the stroller.

**DO NOT** carry additional children, goods, accessories in or on the stroller except as permitted in this manual. They may cause the stroller to become unstable.

**DO NOT** leave the stroller exposed in the vicinity of a strong source of heat i.e. a radiator or open fire.

**DO NOT** place any item on the canopy.

**DO NOT** store the stroller in a damp place. Always allow the fabric to dry naturally away from direct heat.

**DO NOT** use storage basket as a child carrier.

**DO NOT** use the stroller if any parts are damaged or missing.

For car seats used in conjunction with a chassis, this vehicle does not replace a cot or a bed. Should your child need to sleep, then it should be placed in a suitable pram body, cot or bed.

It is not suggested to use insert B alone.

Keep small parts away from children as they pose a choking hazard.

Negotiate curbs and rough ground carefully. Repeated impact could cause damage to the stroller.

**NEVER** allow children to stand on the stroller.

**NEVER** carry more than one child at a time in the stroller.

**NEVER** use the stroller on stairs or escalators. You may suddenly lose control of the stroller or your child may fall out.

The harness must always be correctly fitted and adjusted. The harness is not a substitute for proper adult supervision.

The parking break shall be engaged when placing and removing children.

Overloading, incorrect folding, and the use of accessories e.g. child seats, bag hooks, rain covers, buggy boards, etc... other than those approved by Nuna may damage or make the stroller unsafe.

Rubber tires may leave black scuff marks on smooth surfaces such as parquet, laminate and linoleum.

**STRANGULATION HAZARD** Do not place items with a string around your child's neck, suspend strings from this product, or attach strings to toys.

To avoid any danger of suffocation, remove all plastic covers before using this item and destroy or keep away from babies and children!

To prevent a hazardous, unstable condition, do not place more than 4.5 kg in the storage basket and more than 0.45 kg in the storage pocket.

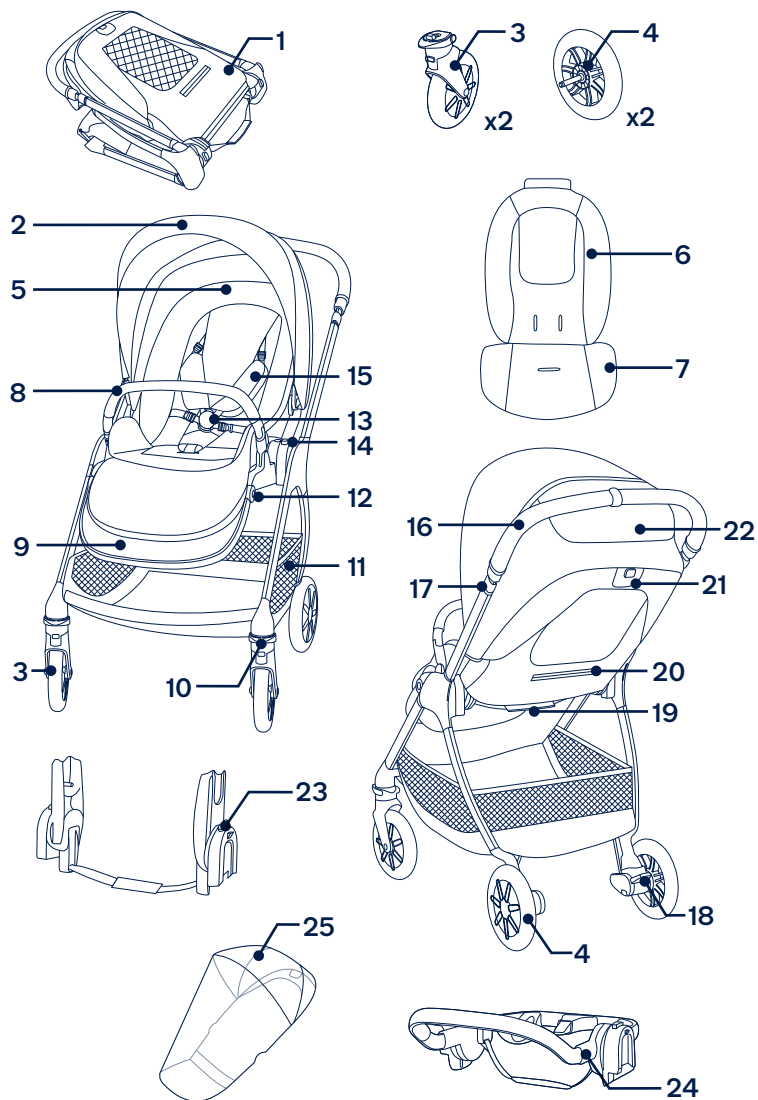
USE the most reclined position for new born babies.

Use the pushchair with a child weighing no more than 22 kg. It will cause damage to the pushchair with an unfitted child.

# Parts List

Make sure all parts are available before assembly.  
If any part is missing, please contact local retailer. No tools are required for assembly.

- |   |   |
|---|---|
| 1 Stroller Frame                        | 14 Seat Release Button                              |
| 2 Canopy                                | 15 Shoulder Harness Pad                             |
| 3 Front Wheel (x2)                      | 16 Handle   |
| 4 Rear Wheel (x2)                       | 17 Handle Adjustment Button                         |
| 5 Seat Pad                              | 18 Brake Lever                                      |
| 6 Insert A                              | 19 Folding Webbing                                  |
| 7 Insert B (not suggested to use alone) | 20 Storage Pocket (maximum load = 0.45 kg)          |
| 8 Arm Bar                               | 21 Recline Adjustment Button/Folding Release Button |
| 9 Calf Support                          | 22 Canopy Window                                    |
| 10 Swivel Lock                          | 23 Post Adapters                                    |
| 11 Storage Basket                       | 24 Car Seat Ring Adapter                            |
| 12 Calf Support Adjustment Button       | 25 Rain Cover                                       |
| 13 Buckle                               |   |



# Product Set Up

## Open Stroller

**1** - Take the stroller frame out. **(1)**

**2** - Rotate the handle up to open the stroller frame. **(2)**

**3** - Pull the seat to open it. **(3)**

A “click” sound means the seat is open.

Check that the stroller is completely latched open before continuing.

## Switch Seat

Please switch seat if you needed.

**1** - Press the seat release button **(4)-1** and lift the seat up **(4)-2**.

**2** - Reverse the seat, and then attach it to the frame. **(5)**

A “click” sound means the seat is attached completely.

## Front Wheels

**1** - Insert the front wheel into the front leg. **(6)**

A “click” sound means the front wheel is assembled completely.

Check the wheel is securely attached by pulling out. Repeat on opposite side.

**2** - To remove the front wheel, press the release button **(7)-1** and detach the front wheel from the front leg **(7)-2**.

## Rear Wheels

**1** - Insert the rear wheel into the rear leg. **(8)**

A “click” sound means the rear wheel is assembled completely.

Check the wheel is securely attached by pulling out. Repeat on opposite side.

**2** - To remove the rear wheel, press the release button **(9)-1** and detach the rear wheel from the rear leg **(9)-2**.

## Arm Bar

**!** Always secure the child with the harness. The arm bar is not a restraint device.

**1** - Align the arm bar ends with the arm bar mounts, and insert until it clicks into place. **(10)**

A “click” sound means the arm bar is assembled completely.

**2** - To remove the arm bar, press the arm bar release buttons **(11)-1** and remove the arm bar **(11)-2**.

### Check Set Up

- Stroller frame is latched open
- Stroller seat securely attached
- Rear and front wheels securely attached
- Arm bar securely attached

# Product Use

## Securing Your Child

- 1 - Push the top button on the buckle to release the buckle latch and remove the magnetic clips. Place your child in the stroller. (12)
- 2 - Insert the magnetic clips into the buckle. (13)
- 3 - Fit the harness snugly to your child by pulling the adjustment straps to tighten (14)-1. Then pull the waist adjustment straps out (14)-2.

## Shoulder Harness Position

- 1 - The upper shoulder harness buckles can be moved up and down for added adjustment. (15)
- ! To avoid serious injury from falling or sliding out, always secure your child with the harness.

Make sure the harness is adjusted properly and your child is snugly secured. The space between the child and the shoulder harness should be about the thickness of one finger.

**DO NOT** cross the shoulder belts. This will cause pressure on child's neck.

## Canopy

- 1 - To open the canopy, pull the canopy toward the front of the seat, and to fold, push it back. (16)
- 2 - Open the zipper on the canopy for extra shade. (17)
- 3 - For added ventilation, flip the canopy window cover up. (18)

## Recline

There are 4 recline positions for the backrest.

- 1 - To raise or lower the backrest, squeeze the recline adjustment button (19)-1, and pull the backrest up or down (19)-2.
- ! Please do not press the button (19)-3 on the middle of the recline adjustment button when adjusting the angle for the recline.  
Make sure the recline is adjusted properly for use.

## Calf Support

The calf support has 2 use positions.

- 1 - To raise the calf support, lift up.
- 2 - To lower the calf support, press the adjustment button (20)-1, and push down (20)-2.

## Handle

The handle has 5 positions.

- 1 - To adjust the height of the handle, pull the handle adjustment button (21)-1 and pull the handle up or down (21)-2.

## Brake

- 1 - To lock the rear wheels, step down on the brake lever. (22)
  - 2 - To unlock the rear wheels, lift up on the brake lever. (23)
- ! Always apply the brake when the stroller is stopped. Push the stroller slightly to ensure the brake is engaged.



## Front Swivel Locks

It is recommended to use the front swivel locks on uneven surfaces.

- 1 - Pull the front swivel lock up to lock the front wheel. (24)
- 2 - Push the front swivel lock down to unlock. (25)

## Fold

The stroller can be folded with forward facing seat or rear facing seat or without the seat. Before folding the stroller, adjust the handle to the lowest position and make sure the front swivel locks are unlocked.

- 1 - Fold the canopy. (26)
- 2 - Press the folding release button (27)-1 on the middle of the recline adjustment button and then squeeze the recline adjustment button (27)-2.
- 3 - Fold the seat. (28)
- 4 - Pull the folding webbing of the seat to fold the stroller. (29)
- 5 - The stroller with forward facing seat can stand by wheels, and with rear facing seat can stand by handle and the rear wheels. (30)
- 6 - Press the folding buttons of the seat mounts. (31)
- 7 - Fold the stroller. (32)
  - ! The stroller without seat can stand by handle and the rear wheels. (31)(32)

## Insert

The insert can be removed to provide a mesh seating area for better ventilation during hot weather.

To remove the insert, Detach the hook and loop fasteners, press the button on the buckle to release the buckle, then through the buckle pass the hole on the insert to remove the insert. (33)(34)

## Accessories

- ! Not all accessories are included on some models.

### Post Adaptors

For Nuna infant carrier and TRIV carry cot assembly and usage, please refer to the infant carrier and carry cot instruction manual.

- 1 - To attach the post adaptors, place the post adaptors on the seat mounts. A “click” sound means the post adaptors are attached. (35)(36)
- 2 - To attach infant carrier, place the infant carrier on the post adaptors. A “click” sound means the infant carrier is attached. (37)
- 3 - To attach carry cot, place the carry cot on the post adaptors. A “click” sound means the carry cot is attached. (38)
- 4 - The infant carrier can be attached rear or forward facing on the post adapter. (39)
- 5 - The carry cot can be attached rear or forward facing on the post adaptors. (40)
  - ! When used with rear facing, the letters on the post adaptors are the same as those on the frame plastic.
  - ! When used with front facing, the letters on the post adaptors are opposite to those on the frame plastic.
- 6 - To remove the infant carrier, push the release buttons on the infant carrier (41)-1 and lift up (41)-2.
- 7 - To remove carry cot, press the release buttons on the side of the carry cot (42)-1 and lift up (42)-2.

**8** - To remove the post adapters, pull the adapter release buttons **(43)-1** and lift up **(43)-2**.

! Remove the infant carrier and carry cot before folding.

### Fold the Stroller with Post Adapters

Before folding the stroller with post adapters, adjust the handle to the lowest position and make sure the front swivel locks are unlocked.

**1** - Pull the folding webbing of the post adapters to fold the stroller. **(44)**

! The stroller with the post adapters can stand by handle and the rear wheels.

### Car Seat Ring Adapter

For Nuna infant carrier assembly and usage, please refer to the infant carrier instruction manual.

**1** - To attach the car seat ring adapter, place the car seat ring adapter on the seat mount. **(45)** A “click” sound means the car seat ring adapter is locked.

**2** - To attach the infant carrier, place the infant carrier on the car seat ring adapter. A “click” sound means the infant carrier is attached. **(46)**

**3** - The infant carrier and the car seat ring adapter can be attached rear or forward facing. **(47)**

**4** - To remove the infant carrier, push the release button located on the back of the infant carrier **(48)-1** and lift it simultaneously **(48)-2**.

**5** - To remove the car seat ring adapter, push the adapter release buttons **(49)-1** and lift up **(49)-2**.

! Remove the infant carrier before folding.

### Fold the stroller with Car Seat ring adapter

Before folding the stroller with car seat ring adapter, adjust the handle to the lowest position and make sure the front swivel locks are unlocked.

**1** - Pull the folding webbing of the car seat ring adapter to fold the stroller. **(50)**

! The stroller with the car seat ring adapter can stand by handle and the rear wheels.

### TRIV Rain Cover

Check that the canopy is completely open before attaching the rain cover.

**1** - To assemble the rain cover, place it over the pushchair. **(51)**

! **ALWAYS** check ventilation when the rain cover is on the product.

**ALWAYS** check that the rain cover has been cleaned and dried before folding.

**DO NOT** fold the pushchair when the rain cover is attached.

**DO NOT** place your child in the pushchair in hot weather with the rain cover attached.

### Detach & Assemble Soft Goods

To detach seat soft goods, follow the steps **(52)** - **(65)** as shown, and to re-assemble seat soft goods, follow the steps above in reverse.

## EN Cleaning and Maintenance

Clean the frame, plastic parts, and fabric with a damp cloth, but do not use abrasives or bleach. Do not use silicon lubricants as they will attract dirt and grime. Do not store your stroller in a damp place.

Clean the stroller wheels regularly with water and remove any dirt.

To ensure long-lasting use, wipe the stroller off with a soft, absorbent cloth after using it in rainy weather.

Refer to the care label attached to the soft goods for washing and drying instructions.

It is normal for fabric to color from sunlight and to show wear and tear after a long period of use, even when used normally.

For reasons of safety, only use original Nuna parts.

Check regularly if everything functions properly. If any parts are torn, broken, or missing, stop using this product.

NUNA International B.V. Nuna and all associated logos are trademarks.

## 請妥善保存本說明書 以備不時之需!

使用產品前請仔細閱讀說明書，  
並妥善保存說明書以便日後參考。

## 目錄

產品資訊	22
保固與售後服務	
保固條件	
聯絡我們	
適用範圍	23
警告	24
產品組件及各部位名稱	28
安裝手推車	30
產品使用	32
使用配件	35
拆卸及組裝座布	37
維護與保養	37

## 產品資訊

產品名稱： \_\_\_\_\_

生產日期： \_\_\_\_\_

### 保固與售後服務

產品於保固期間內發生問題，請與零售商聯絡；若零售商無法提供服務，他們會聯絡當地的Nuna經銷商。請留意產品車架上的產品型號與生產日期序號。當有保固需求時，請提供以上產品資訊。

請至[www.nunababy.com/tw/gear-registration](http://www.nunababy.com/tw/gear-registration)

網站登記您購買的產品。

### 保固條件

保固始於產品購買日，我們提供維修服務，但不提供產品退換。保固期限不會因零件更換或維修而延長。Nuna有權利針對產品進行改善設計，此前製造的產品則無更換義務。相關保固資訊，詳見官網：[www.nunababy.com/tw/warranty](http://www.nunababy.com/tw/warranty)

### 聯絡我們

我們期望不斷改進並開發新的產品，請隨時告知您對Nuna產品的意見和建議。

[taiwanservice@nunababy.com](mailto:taiwanservice@nunababy.com)

[www.nunababy.com/tw](http://www.nunababy.com/tw)

產品名稱 TRIV 手推車

主要材質 塑膠、鋁合金／五金、布

原產地 中國

委製商 巧兒宜國際股份有限公司

進口商 巧兒宜國際股份有限公司

地址 台北市內湖區瑞光路431號2樓

電話 02-27973000

統一編號 52603333

網址 [www.nunababy.com](http://www.nunababy.com)

代理商 杏豐實業股份有限公司

地址 台北市中華路一段59號10樓之1

電話 02-66358858

統一編號 16998578

### 適用範圍

寶寶需要滿足下列要求

最大體重：15kg

嬰幼兒年齡：0-36個月

當與PIPA series嬰兒提籃搭配使用，適用範圍請參見該產品說明書。



# 警告

Nuna TRIV 手推車擁有專利並符合臺灣標準 CNS 12940-2013 和歐盟安全標準 EN 1888-2:2018 相關規範。

重要：請務必依照產品說明書和警告以避免導致嚴重傷害甚至是死亡事件發生。

- ! 嬰幼兒的安全是您的責任。
- ! 為避免手指夾傷問題，收合及展開手推嬰兒車時，請務必小心。
- ! 切勿讓嬰幼兒單獨留在手推車內而無人看護。
- ! 請保留說明書以便日後使用。
- ! 六個月大以下的嬰幼兒應同時使用腰部及胯部的安全帶。
- ! 寶寶乘坐時，安全帶或束縛系統必須正確的扣合及使用。
- ! 使用前，請確保睡箱、座椅或汽車椅等裝置正確安裝。
- ! 請勿允許您的嬰幼兒將手推車當玩具玩耍。
- ! 使用前，請確保所有鎖定裝置都已處於鎖定狀態。
- ! 本產品不適用於跑步和滑冰。
- ! 當調整手推車上之任何可活動配件時，必須確定寶寶與手推車保持安全距離。
- ! 保持寶寶遠離遮陽篷/雨篷以免造成窒息。

- ! 請使用Nuna原廠零配件。
- ! 使用前請確定各部件安裝牢固以確保安全。
- ! 停止車台時，手推車務必確實使用制動裝置。
- ! Nuna不保固使用其它廠商提供的零配件所造成的損害。
- ! 任意放置未經製造商核可之物品於車臺上將造成危險。
- ! 不得附載其它的嬰幼兒、物品或附件於推車上，除非該推車設計有此功能。
- ! 不可將手推車放置於馬路、坡道或危險場所。
- ! 寶寶乘坐於手推車內時，不可將整個手推車往上提。
- ! 使用時請扣好安全帶，以免寶寶滑入腿部開口外而造成窒息。
- ! 使用時請遠離火源、高溫、水池或電源之附近範圍。
- ! 請勿在遮陽篷上放置任何物品。
- ! 請勿將產品放置潮濕的環境中。請自然風乾手推車上的布料，並避免使用直接熱源烘乾。
- ! 請勿將嬰幼兒放到置物籃內。
- ! 如果有任何零件損壞，磨破或丟失，請停止使用該產品。

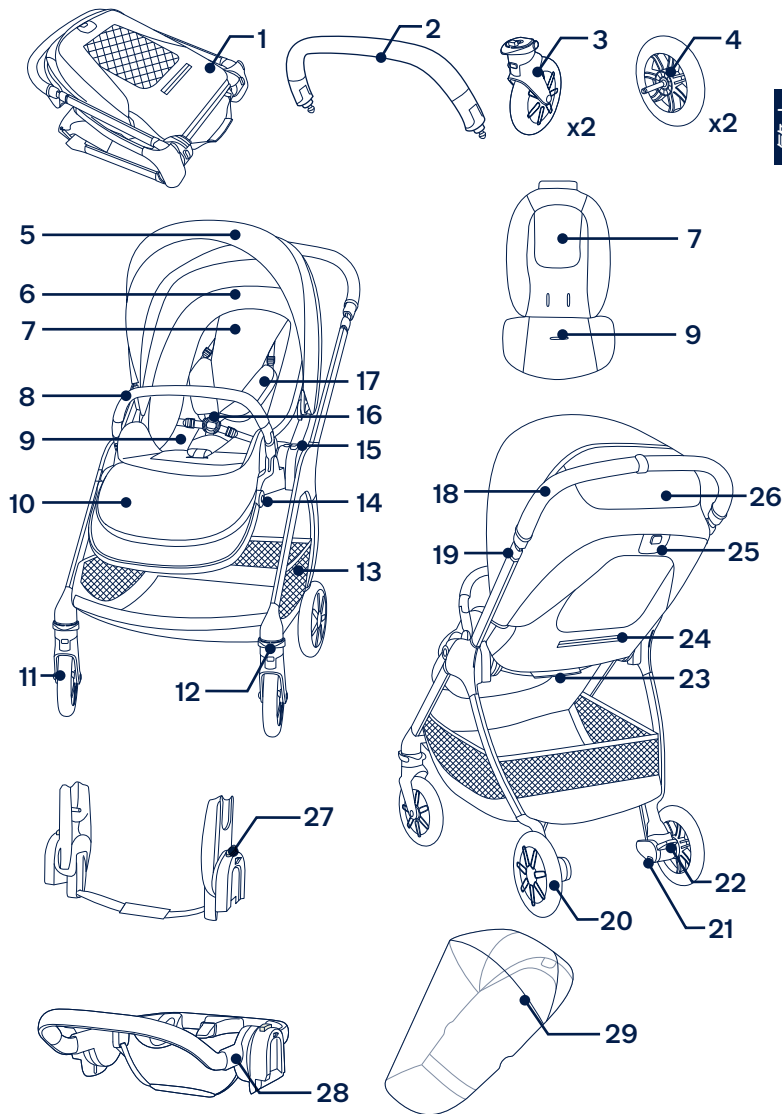
- ! 當嬰幼兒需睡眠時，請將之放置於合適的睡箱或嬰兒床。
- ! 不建議單獨使用小座墊B。
- ! 為避免窒息危險，請將小零件存放到嬰幼兒接觸不到的地方。
- ! 請注意在粗糙地面使用時，反復衝擊會損壞手推嬰兒車。
- ! 不可讓嬰幼兒站立。
- ! 一次僅能乘坐一位嬰幼兒。
- ! 禁止在樓梯上使用手推車。
- ! 安全帶或束縛系統必須正確的扣合及使用。且安全帶與束縛系統的使用，不能取代成人的看護。
- ! 嬰幼兒放入或抱出手推車時，務必確認剎車已處於鎖定狀態。
- ! 此手推車適用於新生-15Kg嬰幼兒使用。
- ! 使用前應確實豎立及固定各機構以確保安全。
- ! 超載、不正確的收合、使用非經核准的零配件都可能造成手推嬰兒車損壞、故障或不安全，請務必閱讀說明書。
- ! 輪胎可能會在某些表面留下黑色痕跡，特別是光滑的表面，像木地板、合層板和亞麻油地板。

- ! 請勿將任何繩索或索帶類物件懸掛于嬰幼兒頸部附近，或扣在產品及玩具上，以免導致嬰幼兒意外窒息。
- ! 使用手推車之前，請務必去掉、銷毀或是將所有附加包裝遠離嬰幼兒，以防嬰幼兒窒息。
- ! 請勿擺放超過4.5Kg的物件於置物籃。0.45Kg的物件於置物口袋內以免導致手推車不穩定而產生危險。
- ! 乘載超過15Kg的重量，將會導致手推車的重度磨損以及過重的負荷。
- ! 供新生兒使用時，應使用最斜躺位置。
- ! 當結合汽車椅使用時，本產品不可代替睡床使用。若您的寶寶需要睡眠時，請讓寶寶睡在合適的睡床上。

# 產品組件及各部位名稱

組裝前請確認所有部件已經齊全。如有遺漏，請與銷售商聯繫。本產品無需工具進行組裝。

- |                     |                          |
|---------------------|--------------------------|
| 1 手推車架              | 16 安全扣                   |
| 2 扶手                | 17 肩帶護片                  |
| 3 前輪(x2)            | 18 車手                    |
| 4 後輪(x2)            | 19 車手調整按鈕                |
| 5 遮陽篷               | 20 後輪                    |
| 6 座墊                | 21 後輪釋鎖按鈕                |
| 7 小座墊A              | 22 剎車踏板                  |
| 8 扶手                | 23 收合織帶                  |
| 9 小座墊B<br>(不建議單獨使用) | 24 置物口袋<br>(最大載重=0.45kg) |
| 10 小腿靠              | 25 背靠調整按鈕/座椅<br>收合鈕      |
| 11 前輪               | 26 天窗                    |
| 12 前輪定向鎖            | 27 汽車椅&睡箱卡座              |
| 13 置物籃              | 28 汽車椅卡座                 |
| 14 小腿靠調整按鈕          | 29 雨篷                    |
| 15 座椅卡合按鈕           |                          |



# 安裝手推車

## 打開手推車

- 1- 取出手推車架(1)
- 2- 向上拉起車手以打開手推車架(2)
- 3- 將座椅打開(3)，聽到“咔嗒”聲表示座椅已完全打開。使用手推車前請務必確保車架已打開到位。

## 座椅換向

座椅可隨使用需求換向。

- 1- 按下座椅卡合按鈕(4)-1並提起座椅(4)-2
- 2- 將座椅換向後接合於車架(5)，聽到“咔嗒”聲表示座椅已完成接合。

## 安裝前輪

- 1- 將前輪套入前腳(6)，聽到“咔嗒”聲表示前輪已安裝到位。  
往外輕拉，確定前輪已完整安裝。另一邊亦同。
- 2- 按壓前輪釋鎖按鈕(7)-1，同時向下拉(7)-2，即可拔出前輪。

## 安裝後輪

- 1- 將後輪套入後腳，聽到“咔嗒”聲表示後輪已安裝到位(8)往外輕拉，確定後輪已完整安裝。另一邊亦同。
- 2- 按壓後輪釋鎖按鈕(9)-1，同時向外拉(9)-2，即可移除後輪。

## 安裝扶手

**！** 寶寶乘坐時必須繫上安全帶，扶手並不能確保寶寶的安全。

- 1- 將扶手卡槽對準扶手座插入，聽到“咔嗒”聲表示扶手已安裝完成(10)
- 2- 按壓扶手兩側釋鎖按鈕(11)-1，兩側同時向外拉即可拆卸扶手(11)-2

### 檢查

- 手推車架已完全展開
- 車椅已確實安裝於車架上
- 前、後輪已確實安裝
- 扶手已確實安裝

# 產品使用

## 使用安全扣

- 1- 按下母扣上方的按鈕，鬆開安全扣後將寶寶放入手推車 (12)
- 2- 將肩帶及腰部扣環與母扣結合(13)
- 3- 滑動織帶 (在肩帶護片下方) 調整織帶長度(14)-1，拉緊腰部織帶(14)-2，使寶寶更加舒適。

## 調整肩帶位置

- 1- 肩帶固定栓可上下滑動調整至適當位置(15)  
**!** 為避免寶寶滑出手推嬰兒車而導致的嚴重傷害，請隨時使用安全帶。  
請確保安全帶已適當調整，寶寶與安全帶間的空隙約為一隻手指寬。  
請勿交叉肩帶以免造成孩童頸部壓力。

## 使用遮陽篷

- 1- 打開遮陽篷，請將遮陽篷推向前方。折疊遮陽篷，請將遮陽篷拉向後方(16)
- 2- 遮陽篷中段拉鍊可打開以延伸遮陽篷範圍(17)
- 3- 遮陽篷天窗可打開增加透氣性(18)

## 調整背靠

背靠可4段角度調節。

- 1- 調高或調低背靠角度，請按壓背靠調整按鈕(19)-1，向上或向下調整至所需的背靠角度(19)-2  
**!** 調整背靠高度時，請勿按壓(19)-3位於背靠調整按鈕中央的按鈕，請確保使用合適的背靠角度。

## 調整小腿靠

小腿靠共有兩種角度可供調節。

- 1- 段位調高時，將小腿靠支撐板由下往上推即可。
- 2- 段位調低時，按壓小腿靠兩側的調整按鈕(20)-1，同時向下調節小腿靠支撐板(20)-2

## 調整車手

車手共有5種段位可供使用。

- 1- 按壓車手兩側的調整按鈕(21)-1，同時向上或向下拉車手至適合段位(21)-2

## 使用剎車

- 1- 踩下剎車踏板即可完成剎車動作(22)
- 2- 抬起剎車踏板即可完成釋鎖動作(23)  
**!** 手推車停止時，請剎車。  
輕輕推動推車以確保剎車裝置已啟動。



## 前輪定向

在碎石路面或不平路面推行時，建議鎖定前輪，便能更輕鬆地操控手推車。

- 1- 鎖定時，向上抬起前輪定向鎖，即可固定手推車前行方向(24)
- 2- 釋鎖時，向下推前輪定向鎖即可(25)

## 收合手推車

此手推車在座椅前向或後向時皆可收合。收合手推車前，請先將車手調整至最低段位，並確保前輪定向鎖未鎖上。

- 1- 收攏遮陽篷(26)
  - 2- 按壓背靠調整鈕中間的座椅收合鈕 (27)-1，並按壓背靠調整鈕(27)-2
  - 3- 折疊座椅(28)
  - 4- 拉起收合織帶以收合推車(29)
  - 5- 座椅前向時推車收合後可自行以輪子站立。座椅後向時推車收合後可以用車手及後輪站立(30)
  - 6- 按壓椅座的收合鈕(31)
  - 7- 收合推車(32)
- ！ 無安裝座椅的手推車收合後可以用車手及後輪站立(31)(32)

## 小座墊

當天氣炎熱時，可拆卸座墊直接使用透氣通風的網孔座椅。

欲拆卸座墊，請將座墊上方與手推車連接的黏扣帶解開，按壓安全扣中間按鈕，打開安全扣，將扣具穿過座墊即可取掉座墊(33)(34)

## 使用配件

！ 台灣地區無販售睡箱(38)(40)(42)

### 汽車椅&睡箱卡座

當與Nuna PIPA series 汽車椅或TRIV睡箱配合使用時，組裝及使用方式請參照該產品說明書。

- 1- 安裝汽車椅&睡箱卡座，放置卡座於座椅底座上。聽到“咔嚓”聲表示卡座已安裝完成(35)(36)
  - 2- 安裝汽車椅，放置於卡座上，聽到“咔嚓”聲表示已卡合到位(37)
  - 3- 安裝睡箱，放置於卡座上，聽到“咔嚓”聲表示已卡合到位(38)
  - 4- 汽座椅與卡座可前向或後向安裝(39)
  - 5- 睡箱與卡座可前向或後向安裝(40)
- ！ 後向使用時，卡座上的R標示請對照車架上的R標示安裝，L標示請對照車架上的L標示安裝。
- ！ 前向使用時，卡座上的R標示請與車架上的L標示安裝，L標示請對照車架上的R標示安裝。
- 6- 移除汽車椅，按壓汽車椅釋鎖(41)-1，同時向上提起汽車椅即可(41)-2
  - 7- 移除睡箱，按壓睡箱兩側釋鎖(42)-1，同時向上提起睡箱即可(42)-2
  - 8- 移除汽車椅&睡箱卡座，按壓卡座的釋鎖鈕(43)-1，並向上提起汽車椅卡座(43)-2
- ！ 收合手推車前請移除汽車椅與睡箱。

## 使用汽車椅&睡箱卡座的收合方式

收合手推車前，將車手調整至最低段位，並確保前輪定向鎖未鎖上。

### 1- 拉起汽車椅&睡箱卡座上的收合織帶以收合收推車(44)

！ 使用汽車椅卡座的手推車收合後可以用車手及後輪站立。

## 汽車椅卡座

當與Nuna PIPA series 汽車椅或TRIV睡箱配合使用方式時，組裝及使用請參照該產品說明書。

- 1- 安裝汽車椅卡座於座椅底座上(45)，聽到“咔嚓”聲表示已安裝到位。
- 2- 安裝汽車椅，放置汽車椅於卡座上，聽到“咔嚓”聲表示汽車椅卡合到位(46)
- 3- 汽車椅與汽車椅卡座可前向或後向安裝(47)
- 4- 移除汽車椅，按下汽車椅背面的釋鎖按鈕(48)-1，同時向上提起汽車椅即可(48)-2
- 5- 移除汽車椅卡座，按壓卡座的釋鎖鈕(49)-1，並向上提起汽車椅卡座(49)-2。收合手推車前請移除汽車椅。

## 使用汽車椅卡座的收合方式

收合手推車前，將車手調整至最低段位，並確保前輪定向鎖未鎖上。

### 1- 拉起汽車椅卡座上的收合織帶以收合收推車(50)

！ 使用汽車椅卡座的手推車收合後可以用車手及後輪站立。

## TRIV座椅雨篷

安裝雨篷前，請確認雨篷已完全展開。

### 1- 將雨篷套到座椅上(51)

- ！ 使用雨篷時，請隨時注意並確認雨篷內有良好的通風。
- 不使用雨篷時，請先確認雨篷已清潔並乾燥，再收納。
- 請勿收合已罩上雨篷的手推車。
- 天氣炎熱時，請勿將寶寶放在裝有雨篷的手推車內。

## 拆卸及組裝座布

拆卸座布請參照說明書(52)-(65)，若需組裝座布，請反向操作上述步驟。

## 維修與保養

可用濕布清潔車架和座布，請勿使用研磨劑或漂白劑。請勿使用潤滑劑，因為它們會吸附灰塵和污垢。請勿將手推車儲存在潮濕的地方。

請定期以水清洗輪子，並清除污垢。

為使手推車能長期使用，下雨天使用後，請用軟質可吸水的布擦拭手推車。

請參考手推車上洗滌標的洗滌方式。

長期使用之後，在正常狀況下，座布可能產生褪色、磨損或撕裂。

為確保安全，請使用Nuna原廠零配件。

請定期檢查您的手推車功能是否正常與零件是否鬆弛磨損或脫落。一旦發生以上任何狀況，請立即停止使用本手推車。