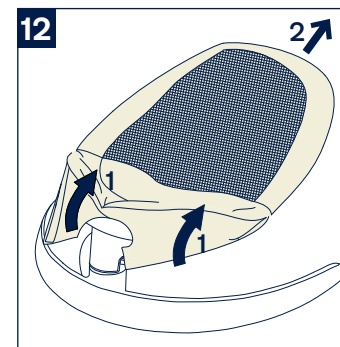
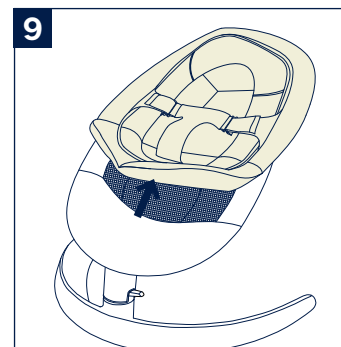
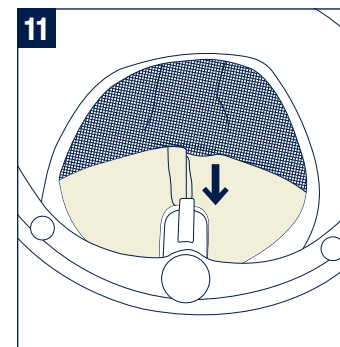
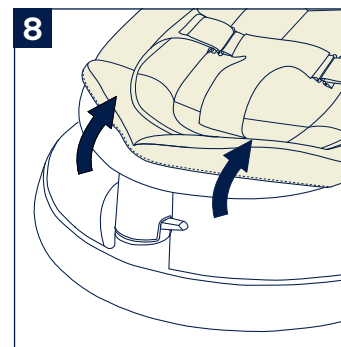
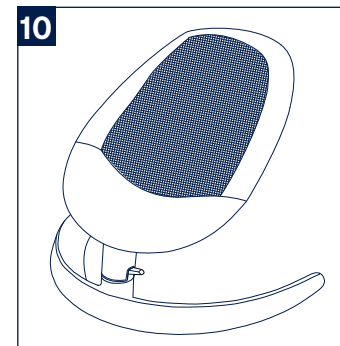
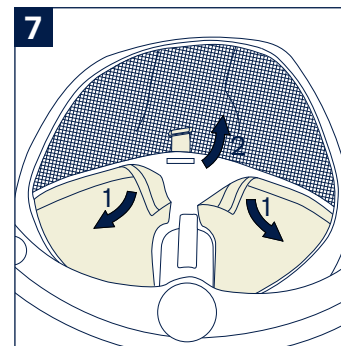
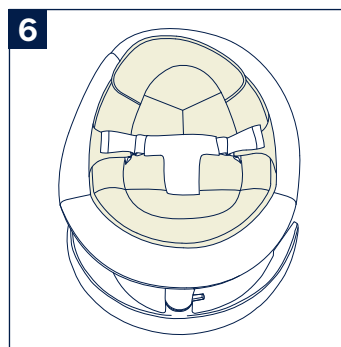
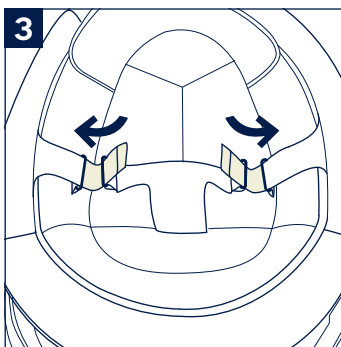
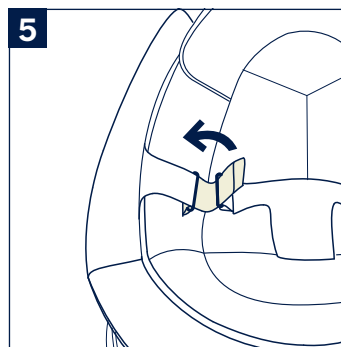
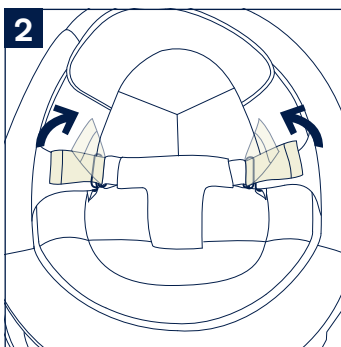
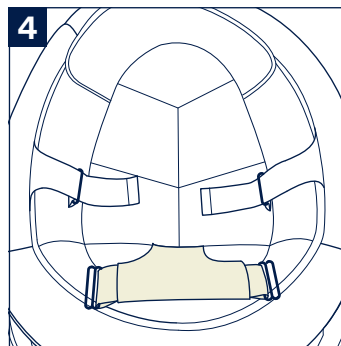
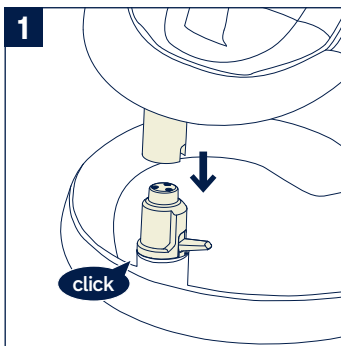


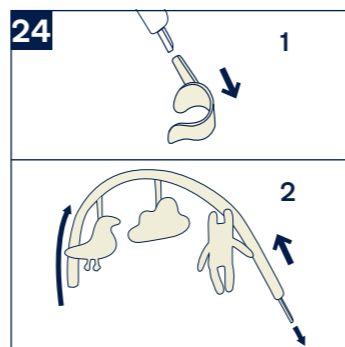
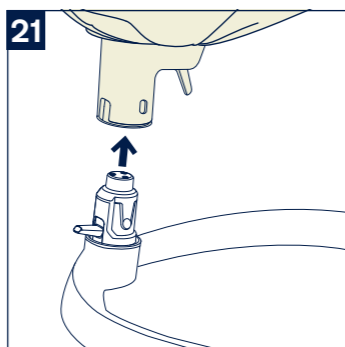
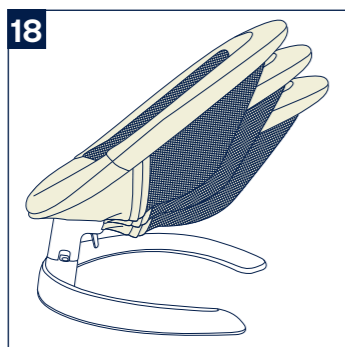
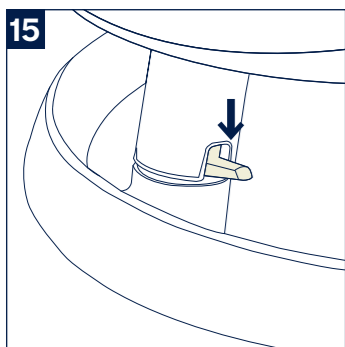
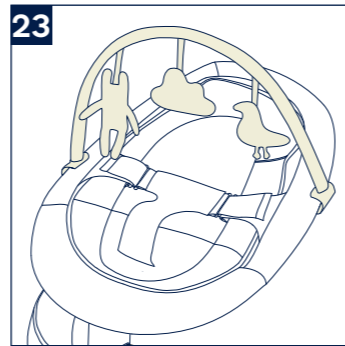
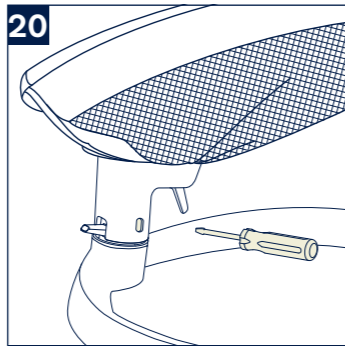
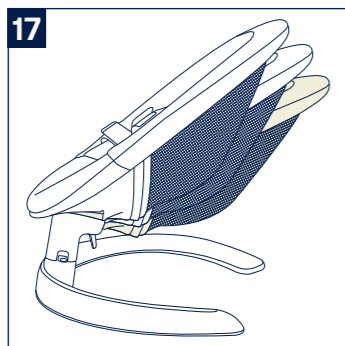
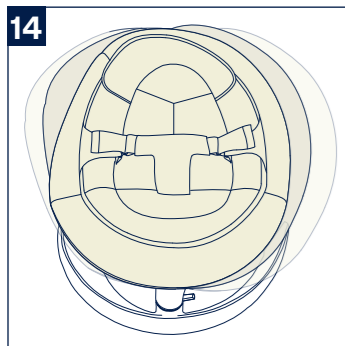
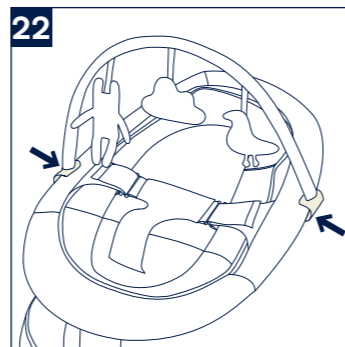
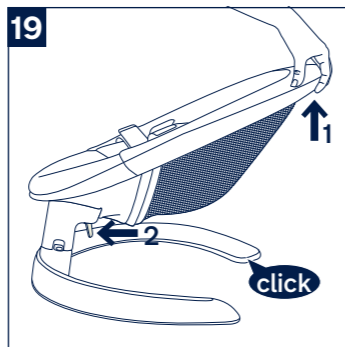
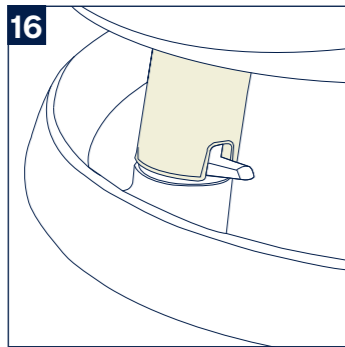
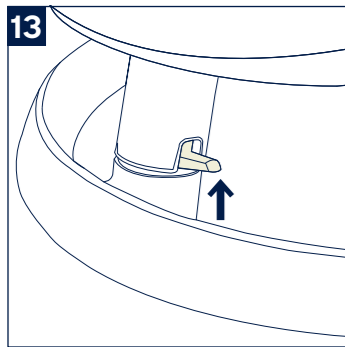
*Designed  
around your life*

**重要!保留以備參照，  
請詳細閱讀**

使用產品前請仔細閱讀本說明書，  
並妥善保存說明書以便日後參考。

**nuna**<sup>®</sup>





## 目錄

產品資訊

保固與售後服務

保固條件

適用範圍

警告

產品組件及各部位名稱

產品安裝

第一階段使用

第二階段使用

產品使用

配件

維護與保養

English

2

3

4

6

8

8

9

9

10

11

11

12

## 產品資訊

品名：\_\_\_\_\_

生產日期：\_\_\_\_\_

### 保固與售後服務

產品於保固期間內發生問題，請與零售商聯絡；若零售商無法提供服務，他們會聯絡當地的Nuna經銷商。請留意產品腳踏板上方的產品型號與生產日期序號。當有保固需求時，請提供以上產品資訊。

請至[www.nunababy.com/tw/gear-registration](http://www.nunababy.com/tw/gear-registration)網站登記您購買的產品。

### 保固條件

保固始於產品購買日，我們提供維修服務，但不提供產品退換。保固期限不會因零件更換或維修而延長。Nuna有權利針對產品進行改善設計，此前製造的產品則無更換義務。

相關保固資訊，詳見官網：

[www.nunababy.com/tw/warranty](http://www.nunababy.com/tw/warranty)

品名：LEAF grow斜躺搖籃

材質：鋁/鐵、布、塑膠

原產地：中國

淨重(kg)：7.47

尺寸(cm)：73.8\*71\*47.6

製造日期：見產品上生產日期標

## 適用範圍

此產品可分兩階段使用

第一階段：使用束縛系統

新生兒至9公斤(6個月)，嬰兒可自行坐立者，不得使用本嬰兒斜躺搖籃。

第二階段：不使用束縛系統

可獨立行走或體重60公斤內的小孩。

## 警告

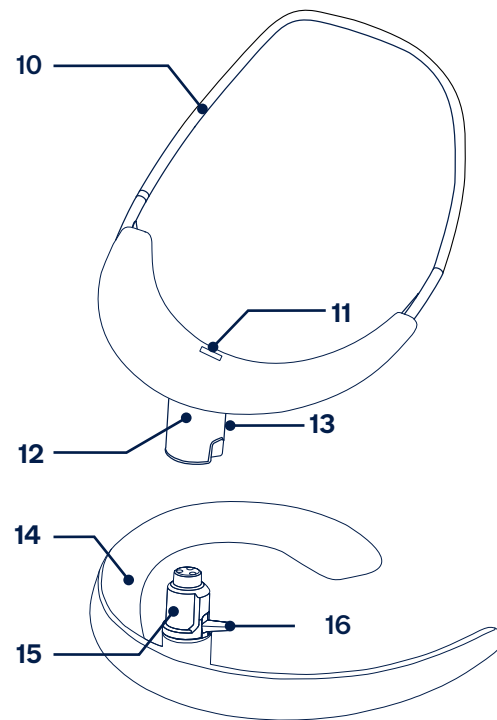
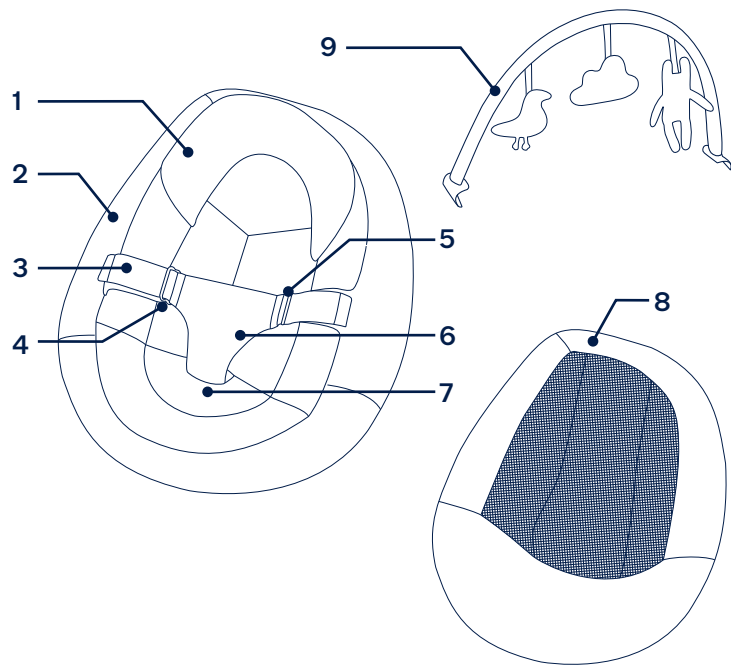
請務必依照產品說明書和警告以避免導致嚴重傷害甚至是死亡事件發生。

- ! 勿單獨留下嬰兒無人照顧。
- ! 最大載重為**60**公斤。
- ! 切勿在架高之表面(如桌子)上使用嬰兒斜躺搖籃。
- ! 確實使用束縛系統。
- ! 請勿將本產品放置於柔軟表面(如床、沙發、坐墊)，因產品可能翻覆，導致寶寶窒息的意外發生。
- ! 請勿以抓住葉狀座椅框架的方式搬運本產品。
- ! 組裝本產品後，請試將座椅往上拉起，以確定座椅與底座已安裝連接妥當。
- ! 本嬰兒斜躺搖籃非供睡眠使用。
- ! 嬰兒斜躺搖籃無法取代嬰兒床或小床，如嬰兒需要睡眠，則應將嬰兒放置在合適的嬰兒床或小床內。
- ! 如任何組件破損或遺失，切勿使用本斜躺搖籃。
- ! 本產品只能使用**Nuna**製造商提供的配件與零件。
- ! 勿使用未經製造廠商認可的附屬配件或替換零件。

- ! 第一階段：使用束縛系統  
新生兒至**9**公斤(**6**個月)，嬰兒可自行坐立者，不得使用本嬰兒斜躺搖籃。
- ! 為預防摔落，當孩童會開始翻身或能將身體撐起時請停止使用此模式(不超過**6**個月)
- ! 使用產品時請隨時繫好安全帶並調整至舒適的緊度。
- ! 第二階段：不使用束縛系統  
座椅三個段位皆可在這個階段被使用  
適合可獨立行走或體重**60**公斤內的小孩
- ! 切勿使用玩具吊桿提攜嬰兒斜躺搖籃。

# 產品組件及各部位名稱

- |         |                      |          |          |
|---------|----------------------|----------|----------|
| 1 小座墊   | 6 胯帶護片               | 10 座椅框架  | 14 底座    |
| 2 座墊    | 7 座墊固定扣具<br>(座墊反面內側) | 11 座墊固定孔 | 15 底座轉軸柱 |
| 3 安全帶   | 8 座椅布套               | 12 座椅轉軸柱 | 16 靜止鎖   |
| 4 安全帶扣環 | 9 玩具杆                |          |          |
| 5 安全帶   |                      |          |          |



# 產品安裝

將座椅轉軸對準底座轉軸卡合，聽到“喀”聲表示組裝完成。組裝本產品後，請試將座椅往上拉起，以確定座椅與底座已安裝連接妥當。(1)

## 第一階段使用

新生兒至9公斤(6個月)，嬰兒可自行坐立者，不得使用本嬰兒斜躺搖籃。

- 1 將安全帶解開，放鬆扣環。(2)
- 2 將安全帶從扣環移除。(3)
- 3 將胯帶護片往下拉開。(4)
- 4 依照幼童身形將安全帶調至舒適的緊度將寶寶置入座椅中，反向操作步驟。(5)

## 使用小座墊

專為新生兒設計的小座墊提供寶寶最舒適的包覆

- 1 將安全帶從小座墊孔洞穿出，移除小座墊。(6)

## 拆除座墊

當寶寶可自行坐立或可自行掙脫安全帶時(不超過6個月)，請停止使用座墊(含束縛系統)

- 1 將座椅翻至反面，將安全扣帶拆除 (7)-1，並將反面的胯帶支帶從座椅框架解開。(7)-2
- 2 從下端開始將座墊拆除。(8)
- 3 將座墊從上方整個拆除。(9)

## 第二階段使用

- 1 座椅布套，適合可獨立行走或體重60公斤內的小孩。(10)

## 拆除座椅布套

- 1 將座椅翻至反面，打開黏扣帶。(11)
- 2 將座椅翻回正面，從底部開始將座椅布套移除(12)-1。將座椅布套向上從框架上拉開。(12)-2

當幼童超過60kg時請停止使用本產品。

## 產品使用

### 靜止鎖

靜止鎖功能在兩個階段皆能被使用。

- 1 將靜止鎖向上抬起解除鎖定。(13)
- 2 輕推座椅使其開始搖動。(14)
- 3 將靜止鎖向下按壓，即可停止座椅搖動並鎖定轉動功能。座椅只會在面對正中時靜止。(15)
- 4 移動座椅時，請先鎖定靜止鎖，並分別握住底座及座椅。(16)

移動時請勿將孩童置於座椅中。

## 調整背靠角度

- 1 三段可調背靠角度。(17)  
第一階段必須使用束縛系統  
第二階段不需使用束縛系統
- 2 第二階段時，三段角度皆可被使用。(18)
- 3 需要將背靠角度調高時，握住椅背上端，向上提起至想要的段位即可(19)-1。聽到”喀”聲表示椅背已移動至您想要的高度。
- 4 需要將背靠角度降低時，握住椅背上端，按下調整鈕(19)-2，將椅背輕放至想要的段位，聽到”喀”聲表示椅背已移動至您想要的高度。

## 從底座移除

- 1 使用一把一字螺絲起子，插入轉動軸後方的孔位，即可分離座椅及底座。(20)
  - 2 將座椅提起，從底座上分離。(21)
- 請勿使用其他方式分離座椅及底座。

## 配件

### 玩具杆

- 1 將玩具杆固定座卡合在座椅兩側。玩具杆固定座上的Nuna標誌朝上。(22)
- 2 玩具杆組裝完成如圖(23)。
- 3 清洗玩具杆座布時，先將玩具杆固定座移除。(24)-1
- 4 再將座布從玩具杆上拉出。(24)-2

## 維護與保養

請參照產品上的洗滌標籤指示，可用濕布或中性清潔劑清潔。請勿以強鹼或溶劑清潔，避免造成產品毀損。持續曝曬於陽光下可能導致車台和零件變色。定期檢查產品，如發現任何損傷，請立刻停止使用。

**IMPORTANT!  
KEEP THESE  
INSTRUCTIONS FOR  
FUTURE REFERENCE:  
*READ ALL INSTRUCTIONS  
BEFORE USE***

## Contents

<b>Product Information</b>	14
Product Registration	
Warranty	
Contact	
<b>Child Usage Requirements</b>	15
<b>Warning</b>	16
<b>Parts List</b>	18
<b>Product Set Up</b>	20
<b>Stage One Use</b>	20
<b>Stage Two Use</b>	21
<b>Product Use</b>	22
<b>Accessory</b>	23
<b>Cleaning and Maintenance</b>	23



## Product Information

Model Number: \_\_\_\_\_

Manufactured Date: \_\_\_\_\_

### Product Registration

Please fill in the above information. The model number and the manufactured date are located on the base.

To register your product please visit:

[www.nunababy.com](http://www.nunababy.com)

Click the “Register Gear” link on the homepage.

### Warranty

We have purposely designed our high-quality products so that they can grow with both your child and your family. Because we stand by our product, our gear is covered by a custom warranty per product, starting from the day it was purchased. Please have the proof of purchase, model number and manufactured date available when you contact us.

For warranty information please visit:

[www.nunababy.com](http://www.nunababy.com)

Click the “Warranty” link on the homepage.

### Contact

For replacement parts, service, or additional warranty questions, please contact our customer service department.

[info@nunababy.com](mailto:info@nunababy.com)

[www.nunababy.com](http://www.nunababy.com)

**In the United Kingdom:**

[infouk@nunababy.com](mailto:infouk@nunababy.com)

[www.nunababy.com](http://www.nunababy.com)

**NUNA International B.V.**

Van der Valk Boumanweg 178 C

2352JD Leiderdorp

The Netherlands

## Child Usage Requirements

This product is intended for two stages of use:

### Stage One: With Harness

- For use from birth until the child can sit upright or can climb out unassisted.
- Discontinue stage one use when infant can sit upright, push up on hands and knees or climb out unassisted (approximately 6 months) and is unable to walk, up to 9 kg.

### Stage Two: Without Harness

- **ANY** recline position can be used.
- For use as a chair when the child is able to walk.
- Discontinue stage two use when child reaches 60 kg.
- Maximum tested weight is 60kg.
- Never leave your child unattended.

## **!WARNING**

Failure to follow these warnings and instructions could result in serious injury or death.

A child's safety is your responsibility.

After assembly, pull up on seat to ensure it is properly secured to base.

Maximum tested weight is 60kg.

**Suffocation Hazard:** Never use on a soft surface (bed, sofa, cushion), as product may tip over and cause suffocation.

This product does not replace a cot or a bed. Should your child need to sleep, then it should be placed in a suitable cot or bed.

This product is not intended for sleeping.

**DO NOT** carry by holding the seat frame.

**DO NOT** use accessories or replacement parts other than those approved by the manufacturer.

**DO NOT** use the reclined cradle if any components are broken or missing.

**NEVER** leave the child unattended.

**NEVER** lift or carry baby while in this product.

**NEVER** use the toy bar to carry the reclined cradle.

### **Stage One: With Harness**

For use from birth until the child can sit upright or can climb out unassisted.

Do not use the reclined cradle once your child can sit unaided. (approximately 6 months) and is unable to walk.

**FALL HAZARD** To prevent falls, stop using the product when infant:

- Begins to roll over, or
- Can pull up on sides (approximately 6 months).

**ALWAYS** use on floor. It is dangerous to use this reclined cradle on an elevated surface, e.g. a table.

**ALWAYS** use the restraint system. Adjust to fit snugly.

Strings can cause strangulation! **DO NOT** place items with a string around a child's neck, such as hood strings or pacifier cords. **DO NOT** suspend strings over product or attach strings to toys.

### **Stage Two: Without Harness**

**ANY** recline position can be used.

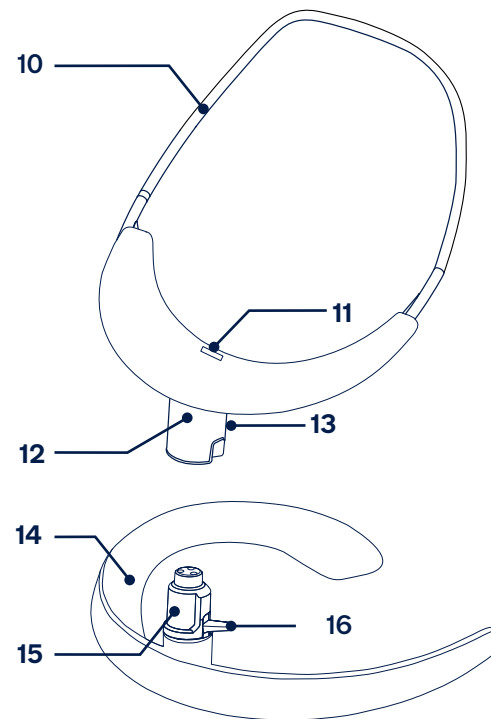
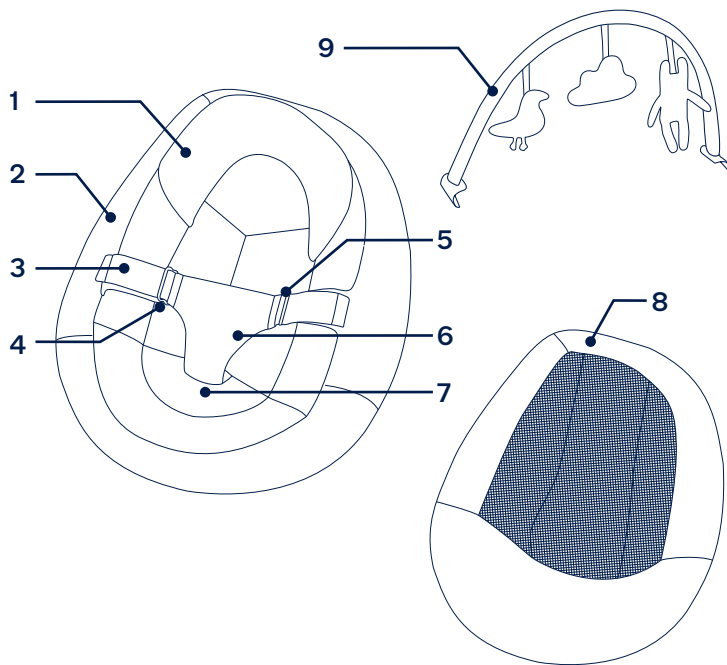
For use as a chair when the child is able to walk.

Discontinue stage two use when child reaches 60 kg.

# Parts List

Make sure all parts are available before assembly.  
If any part is missing, please contact Nuna. No tools are required for assembly.

- |                  |  |                               |                              |
|------------------|--|-------------------------------|------------------------------|
| 1 Infant Insert  | 6 Crotch Support   | 10 Seat Frame                 | 13 Recline Adjustment Button |
| 2 Seat Cover     | 7 Seat Cover Attachment Buckle<br>(located on the back inside of the seat cover) | 11 Seat Cover Attachment Hole | 14 Base                      |
| 3 Harness Strap  | 8 Seat Pad   | 12 Seat Mount                 | 15 Base Mount                |
| 4 Harness Loop   | 9 Toy bar  |                               | 16 Motion Lock               |
| 5 Harness Buckle |  |                               |                              |



## Product Set Up

- 1 - Align the seat mount with the base mount. Place the seat directly down until it clicks into place. A “click” sound means the seat and base are assembled completely. **(1)**

After assembly, pull up on the seat to ensure it is properly secured to the base.

## Stage One Use

Stage one can be used from birth until your child can sit upright or can climb out unassisted.

- 1 - To secure your child, lift the ends of the harness straps away from the seat cover to unfasten the hook and loop. **(2)**
- 2 - Remove the harness straps from the harness loops. **(3)**
- 3 - Fold down the crotch support. **(4)**
- 4 - Fit the harness snugly to your child by sliding the harness buckles, as needed. **(5)**

Place your child in the seat and reverse these steps to secure your child in the harness.

## Infant Insert

The infant insert can be used for stage one use to provide a better fit for smaller babies.

- 1 - To remove the infant insert, unbuckle the harness and route the harness straps through the infant insert holes. **(6)**

## Seat Cover

- ! Discontinue using the seat cover when the infant can sit upright, push up on hands and knees or climb out unassisted (age around 6 months).
- 1 - To remove the seat pad, flip the seat over, unfasten the hook and loop **(7)-1** and detach the seat cover attachment buckle from the seat frame **(7)-2**.
  - 2 - Flip the seat over, and starting from the bottom, remove the seat cover from the seat pad. **(8)**
  - 3 - Slide the seat cover up, off the top of the seat pad. **(9)**

## Stage Two Use

- 1 - The seat pad alone is for use as a chair when your child is able to walk, up to 60 kg. **(10)**

## Seat Pad

- 1 - To remove the seat cover, flip the seat cover and pull off the velcro. **(11)**
  - 2 - Flip the seat over, and starting from the bottom, remove the seat pad from the seat frame **(12)-1**. Then, slide the seat pad up, off the top of the seat frame **(12)-2**.
- ! Discontinue stage two use when your child reaches 60 kg.

# Product Use

## Motion Lock

The motion lock provides continuous swaying for both stages of use.

- 1 - Pull the motion lock up to unlock the seat. (13)
  - 2 - Push the seat to sway. (14)
  - 3 - To lock the seat and stop movement, push the motion lock down. The seat will only lock in the center position. (15)
  - 4 - When transporting, lock the base and carry by holding between the seat and the base. (16)
- ! **NEVER** lift or carry baby while in this product.

## Recline

- 1 - There are three recline positions. (17)
- ! You **MUST** use the harness for stage one use.  
The harness is not required for stage two use.
- 2 - **ANY** recline position can be used for stage two use. (18)
  - 3 - To raise the recline, pull up on the top of the seat to release the connection (19)-1.
  - 4 - To lower the recline, press in on the recline adjustment button (19)-2 and adjust the seat to the desired recline position. A “click” sound means the recline position is engaged.

## Base

- 1 - To remove the seat from the base, insert a flat head screwdriver into the slot on the back of the seat mount, and press to disengage the connection. (20)

- 2 - Once the connection is disengaged, slide the seat off the base mount. (21)

! **DO NOT** detach the seat from the base by any other method.

## Accessory

### Toy Bar

- 1 - Attach the toy bar clips to each side of the seat frame. The Nuna logo on the toy bar clips should face up. (22)
- 2 - The assembled toy bar is shown (23).
- 3 - To wash the toy bar fabric, remove the toy bar fabric from the toy bar, pull the toy bar clips from each end of the toy bar. (24)-1
- 4 - Slide the fabric from the toy bar. (24)-2

## Cleaning and Maintenance

Refer to the care label attached to the soft goods for washing and drying instructions.

Clean the base and seat frame with a damp cloth and a mild detergent. Dry thoroughly. **DO NOT** use abrasives.

It is normal for fabric to color from sunlight and to show wear and tear after a long period of use, even when used normally.

For reasons of safety, only use original Nuna parts.

Check regularly if everything functions properly. If any parts are torn, broken, or missing, stop using this product.

NUNA International B.V. Nuna and all associated logos are trademarks.