

IMPORTANT!
KEEP THESE
INSTRUCTIONS FOR
FUTURE REFERENCE!
READ CAREFULLY

Designed
around your life

Contents

Product Information	4
Warranty	
Contact	
Child Usage Requirements	5
Warnings	6
Parts List	9
Product Set Up	10
Product Use	12
Accessory	16
Cleaning and Maintenance	18



Product Information

Model Number: _____

Manufactured Date: _____

Warranty

Our goods come with guarantees that cannot be excluded under the Australian Consumer Law. You are entitled to a replacement or refund for a major failure and compensation for any other reasonably foreseeable loss or damage. You are also entitled to have the goods repaired or replaced if the goods fail to be of acceptable quality and the failure does not amount to a major failure.

We have purposely designed our high-quality products so that they can grow with both your child and your family. Because we stand by our product, our gear is covered by a custom warranty per product, starting from the day it was purchased. Please have the proof of purchase, model number and manufactured date available when you contact us.

For warranty information please visit:
www.nunababy.com/warranty

Contact

For replacement parts, service, or additional warranty questions, please contact our customer service department.

Distributed by Nuna Baby Australia Pty Ltd

ACN: 642 240 140

Unit 1, 35 Lyn Parade Prestons,

NSW Australia 2170

For after-sales & warranty service,

contact: 1800 951 070

customerservice@nunababy.com.au

Child Usage Requirements

This travel cot is suitable for use with children who meet the following requirements:

Child: from birth

Weight: up to 15 kg

Height: up to 86 cm

This product complies to Consumer Protection Notice No. 4 of 2008 and AS/NZS 2195:2010+A1:2013+A2:2015.

Discontinue use of the COVE aire travel cot when the child is able to climb out.

WARNING

To prevent from falls, discontinue use of this product when child is able to climb out, reaches the height of 86 cm, or weighs more than 15 kg.

USE ONLY THE MATTRESS SUPPLIED BY THE MANUFACTURER, INCORRECT MATTRESSES CAN CAUSE DEATH.

Use Only Accessories As Recommended By The Supplier.

Ensure The Top Rails And Base Are Fully Locked.

DO NOT Use This Cot If Any Part Of The Cot Is Broken, Torn Or Missing.

THIS BASSINET SHOULD BE REMOVED BEFORE THE CHILD CAN SIT UP.

NEVER PLACE A CHILD IN THE COT WHEN THIS BASSINET IS IN PLACE.

USE ONLY THE MATTRESS SUPPLIED BY THE MANUFACTURER.

Keep children away while assembling/ disassembling the cot.

Do not leave anything on the folding cot (such as toys) that provide a foothold.

Do not use the folding cot near naked heat sources, bar heaters, open fires or exposed flames.

Keep the folding cot clear of trailing cables and hanging cords.

Keep medication and small items that a child could choke on, away from the cot.

The folding cots with padded rims should not be used if the covering material has been bitten through.

All assembly fittings should always be tightened properly and that fittings should be checked regularly and retightened as necessary.

NEVER leave your child unattended. Always keep your child in view.

Always use on a flat, level floor.

Only use the mattress sold with this cot, do not add a second mattress on this one, suffocation hazards.

To avoid suffocation, remove plastic bag and packaging materials before using this product. The plastic bag and packaging materials should then be kept away from babies and children.

Check that the assembly of the folding cot is correct and safe.

Check that the locking devices are fully engaged

Carry out the assembly of the folding cot in a particular order.

Secure, tighten and maintain all fastening devices.

INCORRECT MATTRESS CAN CAUSE DEATH.

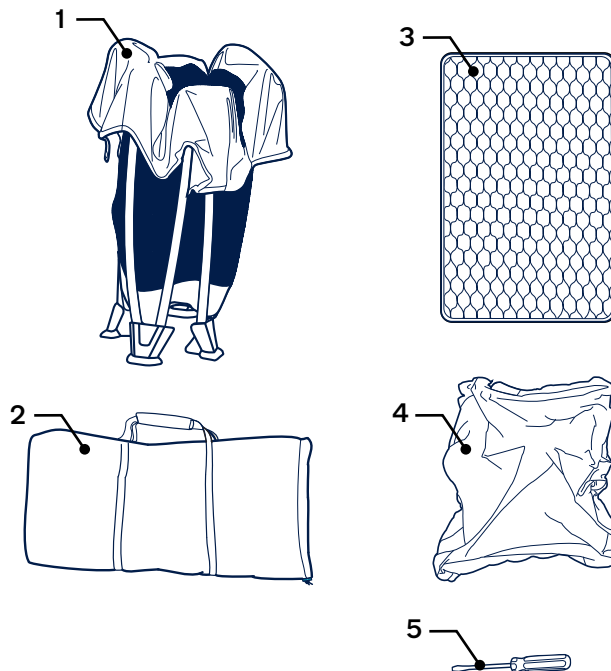
TO PREVENT FALLS, THE BASSINET MUST NOT BE USED ONCE A CHILD CAN SIT UP.

NEVER PLACE A CHILD IN THE COT WHEN THE BASSINET IS IN PLACE.

Parts List

Make sure all parts are available before assembly. If any part is missing, please contact Nuna (see page 5 for information). No tools are required for assembly.

- | | | | |
|---|------------------------------------|---|--|
| 1 | Travel cot
(Including Bassinet) | 4 | Sheet |
| 2 | Storage Bag | 5 | Flathead Screwdriver
(Not Included) |
| 3 | Mattress | | |

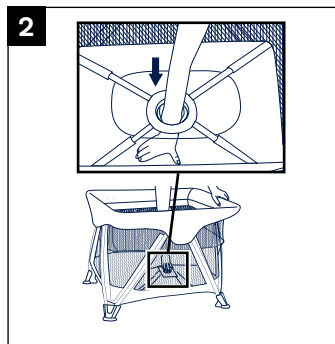
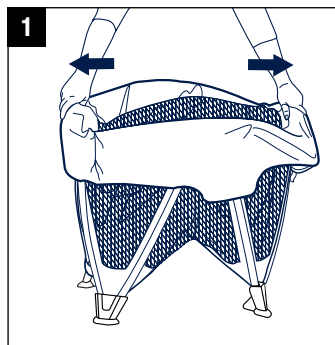


Product Set Up

- 1 - To open the travel cot frame, pull the short sides of the frame out.
- 2 - Reach through the bassinet and push down on the center hub at the bottom of the travel cot.

MAKE SURE the bottom of the travel cot is pushed all the way to the floor.

- ! Ensure The Top Rails And Base Are Fully Locked.
- ! Do Not Use This Cot If Any Part Of The Cot Is Broken, Torn Or Missing.
- ! Take care and pay attention when setting up the travel cot to prevent injury.



Product Use

Bassinet

- 1 - Place the mattress inside the bassinet. Bassinet set up is complete.

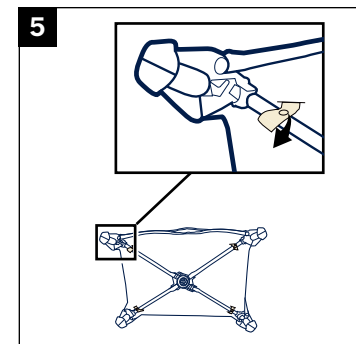
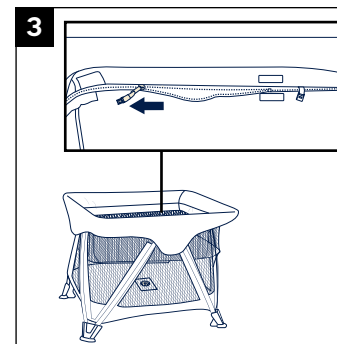
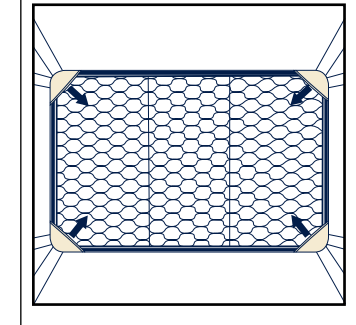
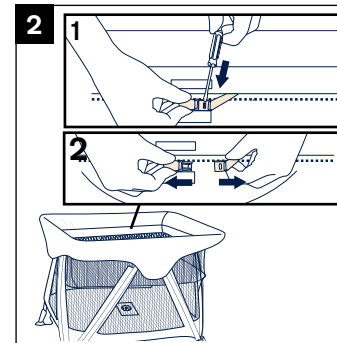
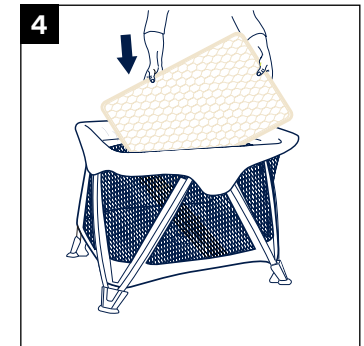
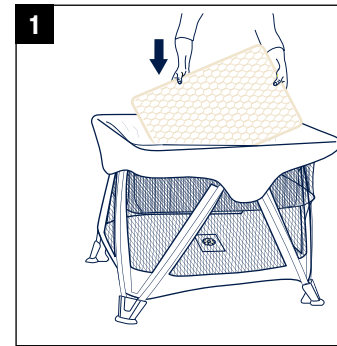
Travel cot

Remove the mattress from the bassinet.

- 2 - Release the zipper buckle inside the bassinet.
- 3 - Unzip the bassinet and remove it from the travel cot.
- 4 - Place the mattress on the bottom of the travel cot by feeding the straps on the corners through the slits in the bottom of the travel cot.
- 5 - Pull the strap through the slit on the bottom of the travel cot. Wrap the strap around the tube and fasten the snaps. Repeat on the other corners.

Push down on all four corners of the mattress to ensure the mattress is secured to the bottom of the travel cot.

- ! Take care and pay attention when assembling and removing the bassinet to prevent injury.



Fold

Remove the mattress from the travel cot before folding.

1 - Turn and pull the safety button halfway up.

! Do not unlock rails yet. Safety button must be halfway up before rails will unlock.

! The safety button can not turn after pulled up. Push the safety button down, and then turn and pull the safety button again.

2 - Pull the sides together towards the center. Do not force.

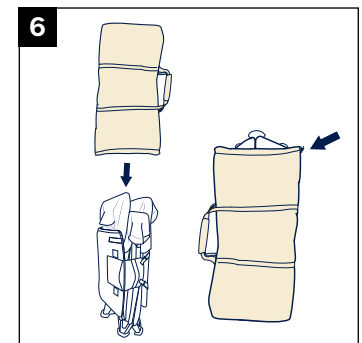
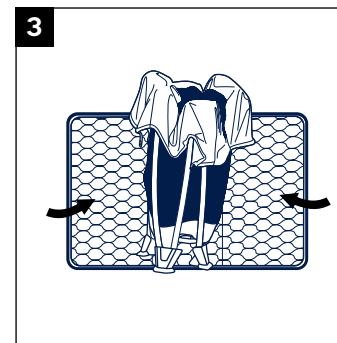
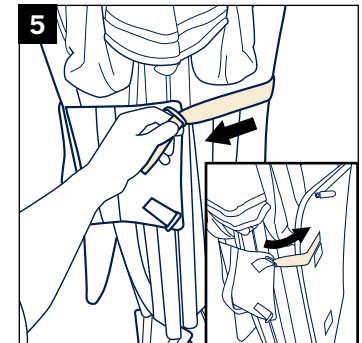
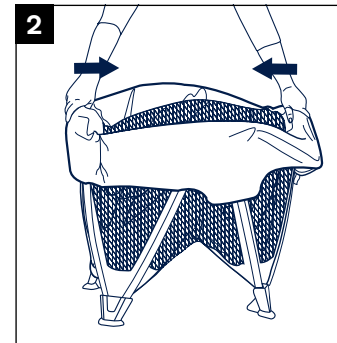
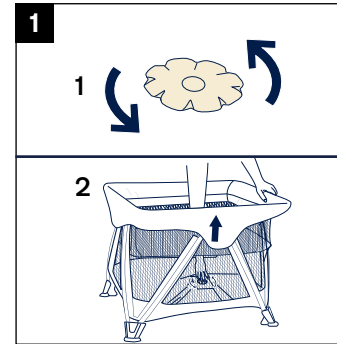
3 - Wrap the mattress around the travel cot.

4 - Pull the fabric flap from its pouch on the side of the mattress.

5 - Guide the hook and loop straps through the plastic loops on the corners of the fabric flap and attach them on the side of the mattress.

6 - Place the storage bag over the travel cot and pull the drawstring to close the storage bag.

! Take care and pay attention when folding the travel cot to prevent injury.



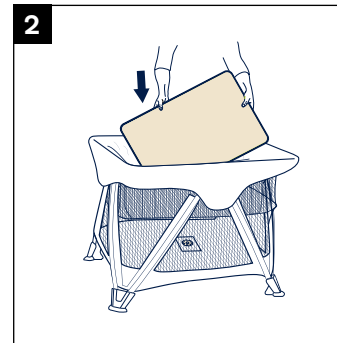
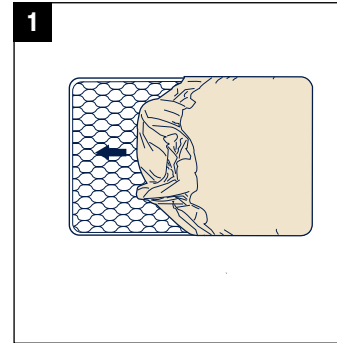
Accessory

WARNING

Prevent possible suffocation or entanglement.
NEVER use travel cot sheet unless it fits securely on travel cot mattress.

Sheet

- 1 - Wrap the sheet around the mattress on all four corners.
MAKE SURE the sheet is securely attached to the four corners.
- 2 - Once the sheet is attached, place the mattress inside the travel cot. **MAKE SURE** that the four hook and loop patches on the sheet are securely attached to the four corners of the travel cot.



Cleaning and Maintenance

Mattress

1 - To wash your mattress, remove the three boards by unfastening the zipper and pulling the boards out.

! **ALWAYS** fasten the zipper on the mattress before washing. Refer to the care label attached to the fabric for washing and drying instructions.

! **NEVER** use the mattress without the boards installed.

Bassinet/Travel cot

Your travel cot frame and bassinet can be spot cleaned with a sponge and mild soapy water. The covering material is not removable. **DO NOT** soak. **DO NOT** use abrasives or bleach.

Thoroughly dry before using or storing. Avoid exposure to heat and sunlight.

