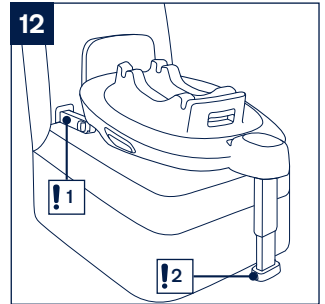
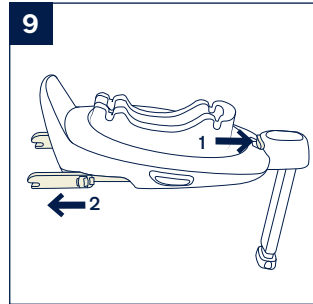
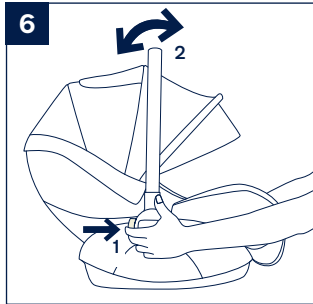
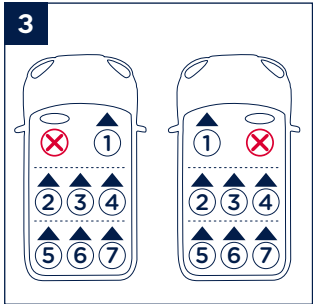
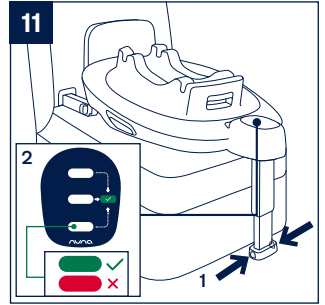
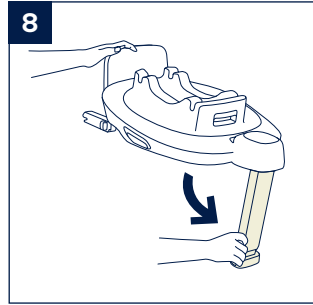
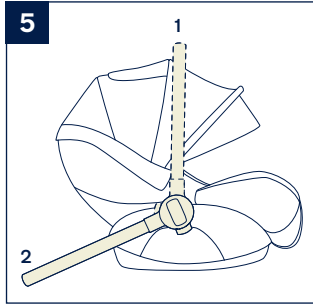
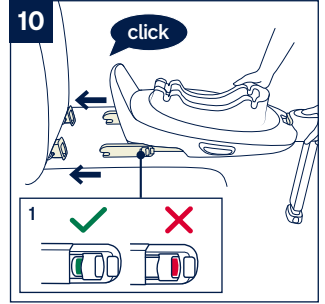
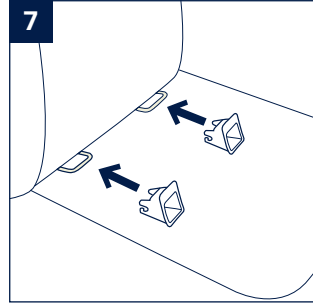
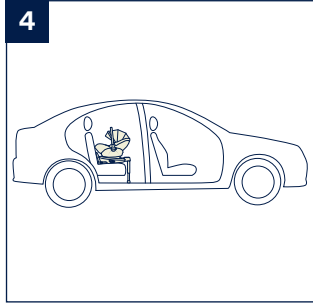
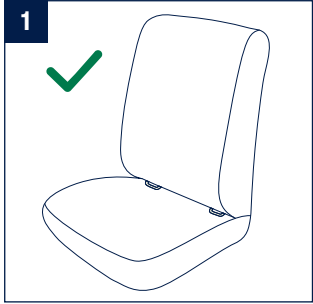
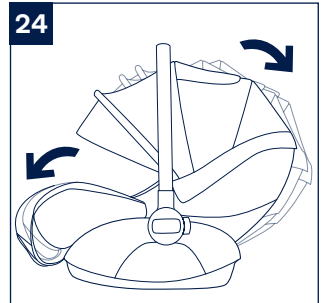
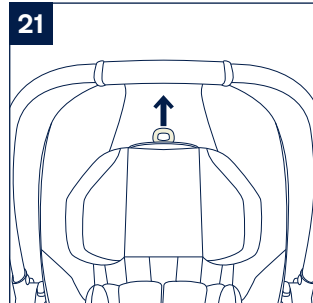
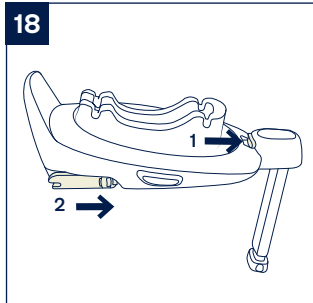
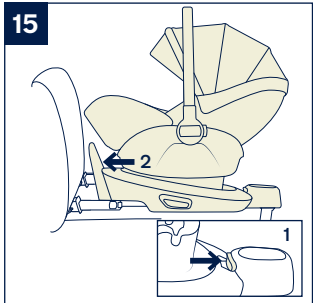
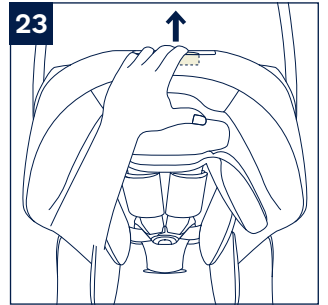
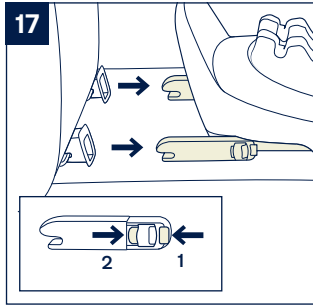
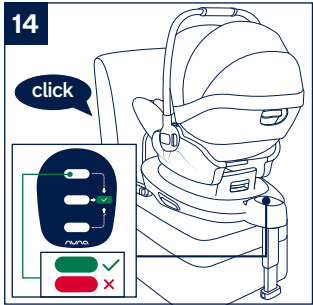
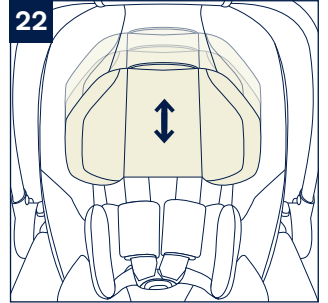
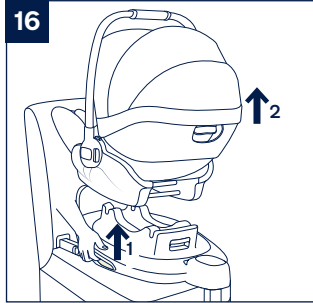
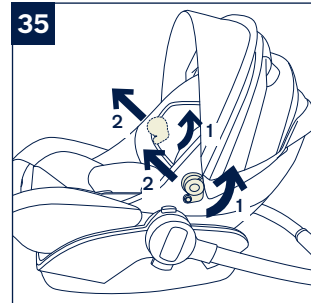
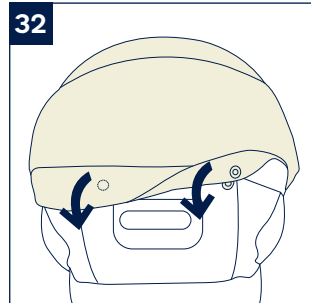
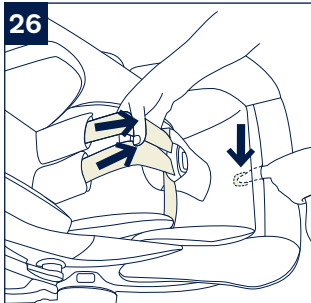
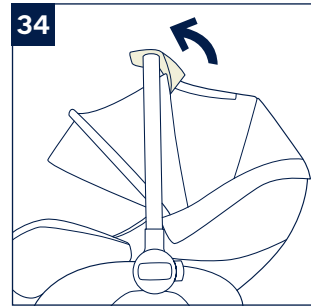
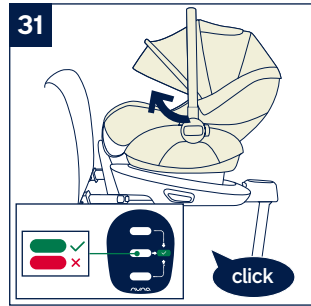
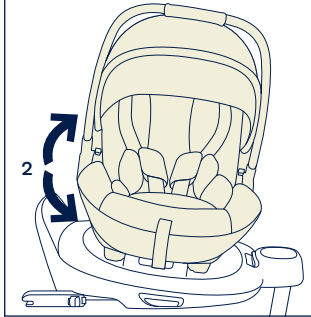
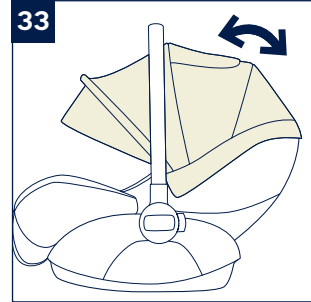
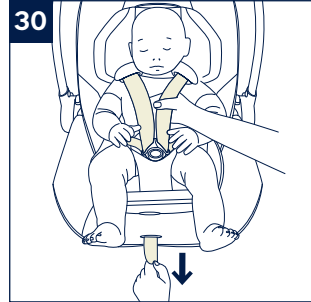
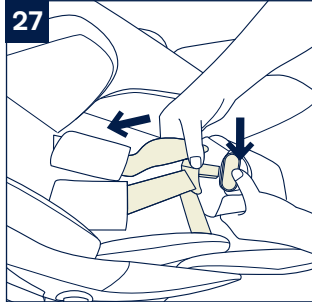
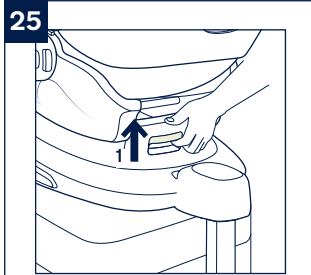


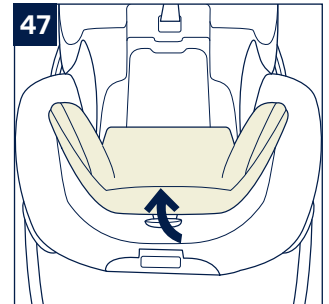
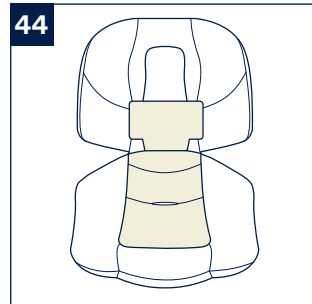
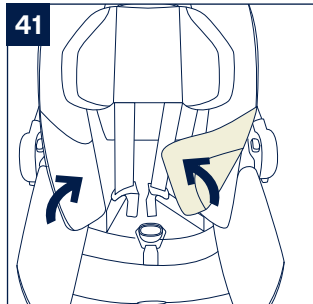
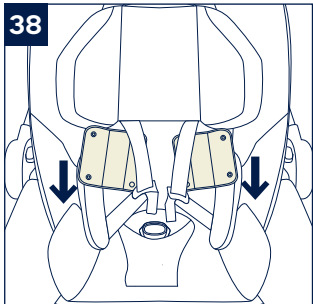
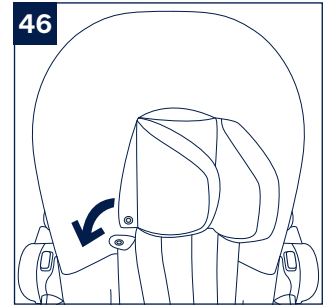
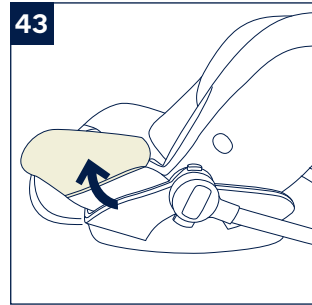
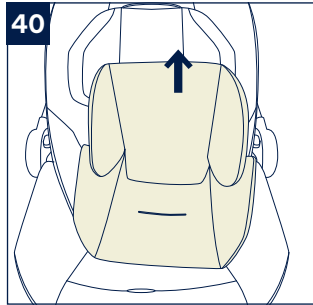
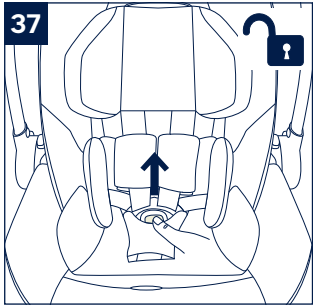
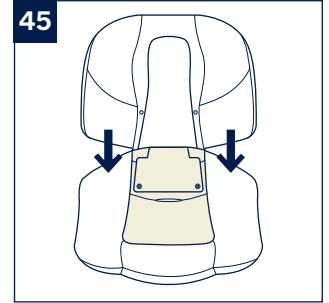
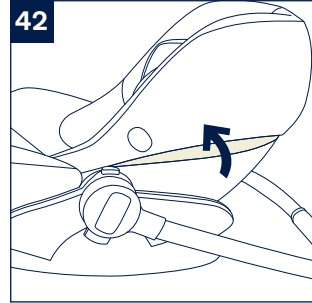
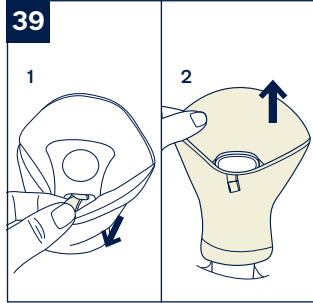
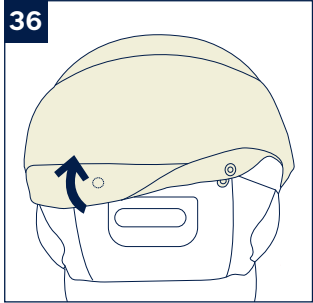
# 請妥善保存本說明書 以備不時之需!

使用產品前請仔細閱讀本說明書，  
並妥善保存以供日後參照。不依照本說明書的  
指示操作，可能會影響到您寶寶的安全。









*Designed*  
**around your life**



|                   |           |
|-------------------|-----------|
| <b>目錄</b>         |           |
| <b>產品資訊</b>       | <b>3</b>  |
| 保固與售後服務           |           |
| 保固條件              |           |
| 聯絡我們              |           |
| <b>兒童使用要求</b>     | <b>5</b>  |
| <b>安全須知與注意事項</b>  | <b>5</b>  |
| <b>警告</b>         | <b>6</b>  |
| <b>產品組件及各部件名稱</b> | <b>8</b>  |
| <b>產品使用</b>       | <b>9</b>  |
| <b>維修與保固</b>      | <b>12</b> |
| <b>汽車安裝資訊</b>     | <b>12</b> |
| <b>English</b>    | <b>13</b> |

## 產品資訊

產品名稱： \_\_\_\_\_

生產日期： \_\_\_\_\_

### 保固與售後服務

產品於保固期間內發生問題，請與零售商聯絡；若零售商無法提供服務，他們會聯絡當地的Nuna經銷商。請留意產品底部的產品型號與生產日期序號。當有保固需求時，請提供以上產品資訊。

請至[www.nunababy.com/tw/gear-registration](http://www.nunababy.com/tw/gear-registration) 網站登記您購買的產品。

### 保固條件

保固始於產品購買日。我們提供維修服務，但不提供產品退換。保固期限不會因零件更換或維修而延長。Nuna有權利針對產品進行改善設計，此前製造的產品則無更換之義務。

相關保固資訊，詳見官網：[www.nunababy.com/tw/warranty](http://www.nunababy.com/tw/warranty)

### 聯絡我們

我們期望不斷改進並開發新的產品，請隨時告知您對Nuna產品的意見和建議。

[taiwanservice@nunababy.com](mailto:taiwanservice@nunababy.com)  
[www.nunababy.com/tw](http://www.nunababy.com/tw)

|      |                  |
|------|------------------|
| 品名   | 汽車用兒童保護裝置        |
| 型號   | ARRA next、CS113  |
| 適用範圍 | 13公斤(約1.5歲)以下的寶寶 |
| 質量等級 | O+級              |
| 主要材質 | 塑膠、五金、布          |
| 原產地  | 中國               |
| 委製商  | 巧兒宜國際股份有限公司      |
| 進口商  | 巧兒宜國際股份有限公司      |
| 地址   | 台北市內湖區瑞光路431號2樓  |
| 電話   | 02-27973000      |
| 統一編號 | 52603333         |
| 代理商  | 杏豐實業股份有限公司       |
| 地址   | 台北市中華路一段59號10樓之1 |
| 電話   | 02-66358858      |
| 統一編號 | 16998578         |

## 兒童使用要求

您的孩子必須完全符合以下要求，才可以使用本產品：

| 安裝模式  | 適用範圍                    |
|---|-------------------------|
|  | <p>13公斤(約1.5歲)以下的寶寶</p> |

## 安全須知與注意事項

- 1- 此為ISOFIX兒童保護裝置。符合標準CNS 11497。用於裝有ISOFIX固定器系統之車輛座椅。
- 2- 它安裝適用於車輛配有經認可之ISOFIX安裝位置。(請參照車輛使用手冊)請依此兒童保護裝置之種類及ISOFIX尺寸等級，安裝於附有ISOFIX固定器之車輛座椅上。
- 3- 此兒童保護裝置使用之質量等級為0+級，ISOFIX尺寸等級為：C級和D級。
- 4- 此兒童保護裝置與底座組合構成“半通用型”兒童保護裝置，符合標準CNS 11497。用於裝有ISOFIX固定裝置的車輛。
- 5- 其他車輛型式亦有可能適用此兒童保護裝置。若有疑問，請洽兒童保護裝置製造商或進口商。

## 警告

必須小心定位和安裝兒童保護裝置，以免被可移動車輛座椅或車門卡住。

對後向兒童保護裝置，不得使用於裝置空氣囊之車輛座椅位置。

兒童保護裝置適用於體重13公斤(約1.5歲)以下的兒童。

任何束縛兒童之織帶應根據兒童身體進行調整，且此織帶不應扭曲。

將寶寶放在本兒童保護裝置後，必須正確的扣合及使用兒童保護裝置安全帶，並確保腰部織帶能有效束縛骨盆部位。

本兒童保護裝置若於意外中遭受劇烈撞擊後，不可繼續使用，應立即更換兒童保護裝置。意外可能導致兒童保護裝置產生潛在危險。

請勿擅自改造本兒童保護裝置，或使用其他廠商生產的零件來配合本兒童保護裝置使用，會對寶寶造成危險。沒有認證許可的產品和經過改裝的產品是危險的，沒有製造商提供的安裝說明也是很危險的。

請讓兒童保護裝置遠離日光，以免產品溫度過高對兒童的皮膚造成傷害。

在無人照料下，不得讓兒童留在兒童保護裝置內。

任何行李或其他可能在碰撞中造成傷害之物品應適當牢固。

當本兒童保護裝置沒有座布時，請勿使用，因座布為兒童保護裝置束縛性能之整體構成要件。請勿使用非本製造商推薦的座布，否則會影響兒童安全座椅的總體性能。

不可使用除使用說明書中所標註以外之其他受力點。

使用此兒童保護裝置時，請搭配閱讀車輛使用手冊。

請勿使用其它廠商生產的兒童保護裝置座墊。請與進口商聯繫只可使用Nuna配件更換零件。



不正確使用或安裝本兒童保護裝置，當緊急剎車和急轉彎時，可能會導致嚴重受傷或死亡的危險。

有關零件更換或維修問題，請向進口商諮詢。

請勿使用說明書中未有顯示的任何配件。

請勿將未固定住的兒童保護裝置留在車內，以免緊急剎車時，傷害到其他乘客。若不經常使用兒童保護裝置時，請將其搬離汽車座椅。

請勿使用已經損壞或缺失零件的兒童保護裝置。請勿使用切割過的、磨損的或損壞的兒童保護裝置。

請勿把本兒童保護裝置當作平常的椅子使用，會容易翻倒造成傷害。

請勿讓您的寶寶穿過大的衣物，所穿的衣物必須能讓兒童保護裝置的安全帶適當而安全地扣在寶寶兩腿之間。

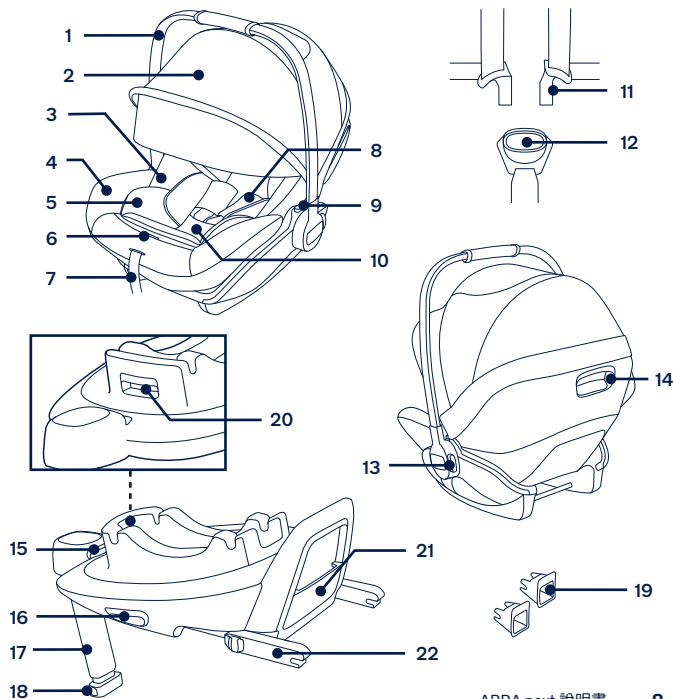
請勿使用二手兒童保護裝置或來歷不明的兒童保護裝置，因為它們可能存在危害乘坐兒童安全的潛在危險。

請勿在未閱讀或了解本兒童保護裝置說明書及汽車說明書之前，使用或安裝本兒童保護裝置。因為可能會導致嚴重受傷或死亡的危險。

使用本產品前，請取掉PE袋和包裝材料，並放到嬰兒和兒童觸摸不到的地方。

## 產品組件及各部位名稱

- |                         |           |               |
|-------------------------|-----------|---------------|
| 1 把手                    | 7 調整織帶    | 15 ISOFIX調整按鈕 |
| 2 遮陽篷                   | 8 肩帶護片    | 16 本體釋鎖按鈕     |
| 3 說明書存放處<br>(位於座布和塑膠之間) | 9 提籃釋鎖按鈕  | 17 支撐腳        |
| 4 座墊                    | 10 胯帶護片   | 18 支撐腳調整按鈕    |
| 5 小座墊                   | 11 安全扣-插扣 | 19 ISOFIX導向器  |
| 6 織帶調整按鈕                | 12 安全扣-母扣 | 20 旋轉按鈕       |
|                         | 13 把手調整按鈕 | 21 說明書存放處     |
|                         | 14 背靠調整按鈕 | 22 ISOFIX連接器  |



# 產品使用

## 安裝注意事項

- ! 此兒童保護裝置只適合安裝在設置有ISOFIX固定裝置的汽車座椅上(1)
- ! 對後向兒童保護裝置，不得使用於裝置空氣囊之車輛座椅位置(2)
- ! 請勿將此兒童保護裝置安裝在相對於汽車行駛方向橫向或後向的汽車座椅上(3)
- ! 請將此兒童保護裝置安裝於汽車後座(4)
- ! 請勿將此產品安裝於可移動的汽車座椅上。

## 調整把手

- 1- 把手有2個段位可供調整(5)  
手提或置於汽車內時，請用段位(5)-1  
當作嬰兒椅使用時，請用段位(5)-2
- 2- 調整把手位置時，先按壓兩邊的把手調整按鈕(6)-1，將把手旋轉到適合段位後再鬆開把手調整按鈕(6)-2

## 安裝底座

- 1- 將ISOFIX導向器固定到ISOFIX固定點上，ISOFIX導向器既可防止汽車座椅表面被刮破，又可為ISOFIX連接器安裝導向(7)
- 2- 展開底座支撐腳(8)
- 3- 按壓ISOFIX調整按鈕拉出ISOFIX連接器(9)
- 4- 將ISOFIX連接器與ISOFIX導向器對齊後，將ISOFIX連接器插到ISOFIX固定點上(10)
  - ! 請確定左右兩邊的ISOFIX連接器都已牢固固定到ISOFIX固定點上。且兩個ISOFIX連接器上的指示器應顯示綠色(10)-1
  - ! 同時往外拉兩邊的ISOFIX連接器，以確保ISOFIX連接器牢固固定。
- 5- 將底座置於合適的汽車座椅，將支撐腳延伸到地面(11)。支撐腳正確安裝時，支撐腳指示器顯示綠色，否則顯示紅色(11)-2
  - ! 支撐腳有多個調整段位。支撐腳指示器顯示紅色時，表示支撐腳處於錯誤段位，請重新操作至正確位置為止。
  - ! 請確保支撐腳與汽車地面完全接觸。

! 按壓支撐腳調整按鈕可將支撐腳向上調整(11)-1  
底座安裝好後如(12)所示。

! ISOFIX連接器須鎖定在ISOFIX固定點上(12)-1

! 底座支撐腳須正確固定，並以綠色顯示(12)-2

## 安裝本體

- 1- 將嬰兒提籃卡入底座內(13)，如果提籃固定正確，提籃指示器將顯示綠色，否則顯示紅色(14)
  - ! 將嬰兒提籃向上提，以確保提籃已正確固定於底座內。
- 2- 按壓底座ISOFIX調整按鈕同時將底座緊貼汽車座椅背靠(15)
- 3- 釋鎖嬰兒提籃時，按壓本體釋鎖按鈕(16)-1，同時將提籃往上提即可(16)-2

## 移除底座

- 1- 移除底座時，按壓兩側ISOFIX連接器上的第二道安全鎖(17)-1與釋鎖按鈕(17)-2，然後將底座向外拉即可(17)
- 2- 按壓ISOFIX調整按鈕可將ISOFIX連接器儲存在底座下方(18)

## 頭靠及肩帶高度調整

請依照實實的身高，選擇合適的肩帶高度。

! 肩帶須調整到最接近實實肩膀的位置(19)，肩帶位置太高是不正確的(20)

! 若肩帶位置不合適，意外發生時可能造成實實被拋出嬰兒提籃的危險。

提起頭靠調整手把(21)，同時上下滑動頭靠到合適高度，頭靠高度共有10個段位，調整如(22)所示。

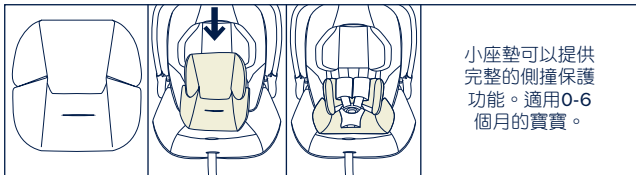
## 背靠角度調整

背靠有3個段位可供調整。

按壓背靠調整按鈕(23)，即可將嬰兒提籃背靠角度調至適當位置，角度調整後如圖(24)所示。

## 實實乘坐

- 1- 按壓旋轉按鈕，旋轉嬰兒提籃到側面。方便實實放入或取出(25)
- 2- 使用小坐墊。



小座墊可以提供完整的側撞保護功能。適用0-6個月的寶寶。

將寶寶放入兒童保護裝置後，請確認肩帶高度是否調整在適當位置。

- 3- 按壓織帶調整按鈕，同時將肩帶拉出至適當長度(26)
- 4- 按壓安全扣-母扣釋鎖按鈕，鬆開安全扣(27)
- 5- 將寶寶放入座椅，並扣合安全扣(28)(29)
- 6- 下拉調整織帶，調整肩帶至適當長度，以配合寶寶身形(30)

！確保兒童與肩帶之間須可以放進一個手掌的厚度。

- 7- 本體旋轉至後向模式，兒童約束系統的方向指示器將顯示綠色，否則顯示紅色(31)

### 使用遮陽篷

- 1- 扣合遮陽篷後片的紐扣(32)
- 2- 打開遮陽篷，請將遮陽篷推向前方。折疊遮陽篷，請將遮陽篷拉向後方(33)
- 3- 遮陽篷天窗可打開增加透氣性(34)

### 拆卸座布

見圖(35)-(47)

依相反步驟即可重新組裝座布。

## 維修與保固

小座墊拆除後，請將其存放於寶寶無法接觸到的地方。

座布請使用30度以下水溫清洗。

座布請勿使用熨斗熨燙。

座布請勿使用漂白劑及乾洗。

座布請勿大力扭乾，過分大力扭乾可能留下皺褶。

座布請於陰涼處鋪平晾乾。

當長時間不使用本兒童保護裝置時，請將本兒童保護裝置從汽車座椅上拆除，並存放於陰涼處及寶寶不易接觸的地方。

請勿使用未經稀釋的中性清潔劑、汽油或其他有機溶劑清洗兒童保護裝置，否則可能對兒童保護裝置造成損壞。

## 汽車安裝資訊

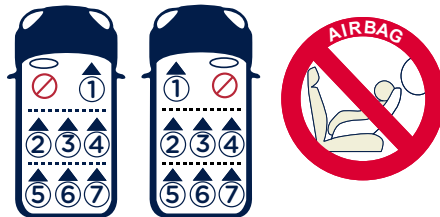
此兒童保護裝置被歸類為“半通用型”，適用安裝在大部分(並非全部)之車輛座椅位置。下圖中的數字與“汽車安裝資訊”內的數字相對應。其他車輛型式亦有可能適用此兒童保護裝置，以下車型為車款安裝適配性資料。若有疑問，請洽兒童保護裝置製造商或進口商。

請勿將本兒童保護裝置安裝在汽車前座上。

切勿將後向兒童保護裝置裝置於有空氣囊的座位上，防止發生死亡或嚴重傷害。

- 表示汽車座椅可安裝本兒童保護裝置。
- ✘ 表示汽車座椅不可安裝本兒童保護裝置。

如果您的汽車品牌未被列入本說明書或未用“•”或“✘”進行標示，請查閱您的汽車手冊或聯絡兒童保護裝置製造商，以進一步了解相關資訊。



NUNA International B.V. Nuna及所有相關徽標為商標

**IMPORTANT!  
KEEP THESE  
INSTRUCTIONS FOR  
FUTURE REFERENCE:  
*READ CAREFULLY***

## Contents

|                                    |    |
|------------------------------------|----|
| <b>Product information</b>         | 15 |
| Product Registration               |    |
| Warranty                           |    |
| Contact                            |    |
| <b>Child Usage Requirements</b>    | 16 |
| <b>Warnings</b>                    | 17 |
| <b>Parts List</b>                  | 19 |
| <b>Product Use</b>                 | 21 |
| <b>Cleaning and Maintenance</b>    | 24 |
| <b>Vehicle Fitting Information</b> | 25 |

## Product Information

Model Number: \_\_\_\_\_

Manufactured in (date): \_\_\_\_\_

### Product Registration

Please fill in the above information. The model number and the manufactured in date are located on the back and bottom of the Enhanced Child Restraint and base.

To register your product please visit:

[www.nunababy.com](http://www.nunababy.com)

Click the "Register Gear" link on the homepage.

### Warranty

We have purposely designed our high-quality products so that they can grow with both your child and your family. Because we stand by our product, our gear is covered by a custom warranty per product, starting from the day it was purchased. Please have the proof of purchase, model number and manufactured in date available when you contact us.

For warranty information please visit:

[www.nunababy.com](http://www.nunababy.com)

Click the "Warranty" link on the homepage.

### Contact

For replacement parts, service, or additional warranty questions, please contact our customer service department.

[info@nunababy.com](mailto:info@nunababy.com)

[www.nunababy.com](http://www.nunababy.com)

**NUNA International B.V.**

Van der Valk Boumanweg 178 C

2352JD Leiderdorp

The Netherlands

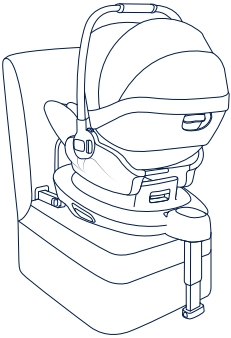
**In the United Kingdom:**

[infouk@nunababy.com](mailto:infouk@nunababy.com)

[www.nunababy.com](http://www.nunababy.com)

## Child Usage Requirements

This product is suitable for use with children who meet the following requirements:

| Figure for Installation  | Suitable for   |
|--|--|
|  | <p>Child height 40cm-85cm/<br/>Child weight ≤13kg<br/>(approximately 1.5 years old or under)</p> |

- 1 - This is an "i-Size" Enhanced Child Restraint System. It is approved according to UN Regulation No.129, for use in, i-Size compatible vehicle seating positions as indicated by vehicle manufacturers in the vehicle users' manual.
- 2 - If in doubt, consult either the Enhanced Child Restraint System manufacturer or the retailer.

## WARNING

Failure to follow these warnings and instructions could result in serious injury or death.

The rigid items and plastic parts of an enhanced child restraint system shall be so located and installed that they are not liable to become trapped by a moveable seat or in a door of the vehicle.

**DO NOT** use the rearward facing enhanced child restraint systems in seating positions where there is an active frontal airbag installed.

To use this enhanced child restraint according to the UN Regulation No.129, your child must meet the following requirements.

Child height 40cm-85cm /Child weight≤13kg (approximately 1.5 years old or under).

Any support-leg should be in contact with the vehicle floor and any straps restraining the child should be adjusted to the child's body. The straps should not be twisted.

After your child is placed in this enhanced child restraint, the child harness must be used correctly, and make sure the lap harnesses are right above the child's pelvis portion.

This enhanced child restraint should be replaced when it has been subject to violent stresses in an accident. An accident can cause damage to it that you cannot see.

Concern the danger of making any alterations or additions to the device without the approval of the competent authority, and a danger of not following closely the installation instructions provided by the enhanced child restraint manufacturer.

Please keep this enhanced child restraint away from sunlight, because it may be too hot for child's skin. Always touch the enhanced child restraint before placing child in it.

Children are not left in their enhanced child restraint system unattended.

Any luggage or other objects liable to cause injuries in the event of a collision shall be properly secured.

The enhanced child restraint system shall not be used without the soft goods.

The soft goods should not be replaced with any other than the one recommended by the manufacturer, because the soft goods constitutes an integral part of the restraint performance.

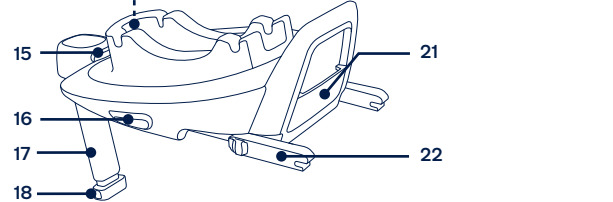
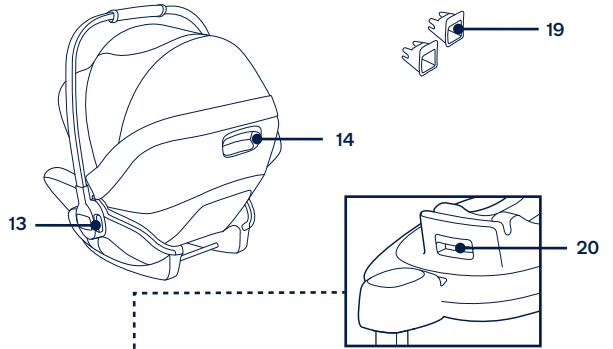
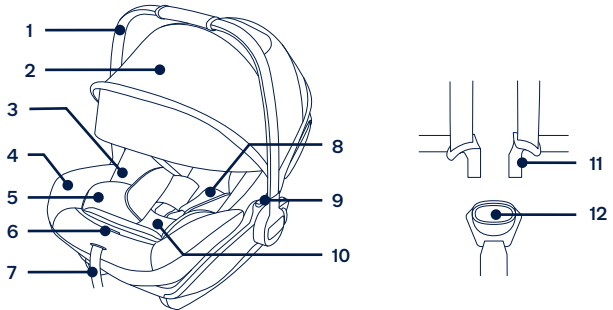
The instructions should be retained on the enhanced child restraint for its life period.

For an i-Size Enhanced Child Restraint System, the user shall also be referred to the vehicle manufacturer's handbook.

# Parts List

Make sure all parts are available before assembly.  
If any part is missing, please contact Nuna. No tools are required for assembly.

- 1 Handle
- 2 Canopy
- 3 Instruction Manual Storage Compartment (between seat pad and plastic)
- 4 Seat Pad
- 5 Infant Insert
- 6 Webbing Adjustment Button
- 7 Adjustment Webbing
- 8 Shoulder Harness Covers
- 9 Stroller Fix Releasing Button
- 10 Crotch Harness Cover
- 11 Harness Connector
- 12 Buckle
- 13 Handle Adjustment Button
- 14 Backrest Adjustment Button
- 15 ISOFIX Adjustment Button
- 16 Releasing Button
- 17 Load Leg
- 18 Load Leg Adjustment Button
- 19 ISOFIX Guides
- 20 Infant Carrier Rotating Button
- 21 Instruction Manual Storage Compartment
- 22 ISOFIX Connector



# Product Use

## Installation Concerns

This enhanced child restraint is suitable for vehicle seats with i-Size ISOFIX anchor points with the Base. **(1)**

**DO NOT** use the rearward facing enhanced child restraint systems in seating positions where there is an active frontal airbag installed. **(2)** Death or serious injury may occur. Please reference vehicle owner's manual for more information.

**DO NOT** install this enhanced child restraint on vehicle seats that face sideways or rearward with respect to the moving direction of the vehicle.

Please refer to your vehicle owner's manual for recommended or suggested installation positions. **(3)**

It is recommended to install this enhanced child restraint on the rear vehicle seat. **(4)**

**DO NOT** install this enhanced child restraint on vehicle seats movable during installation.

## Handle Adjustment

- 1 - The handle of the infant carrier can be adjusted to 2 positions. **(5)**  
Position for car, hand or stroller transportation. **(5)-1** Baby chair position. **(5)-2**
- 2 - To adjust the handle, squeeze handle adjustment buttons on both sides to release it **(6)-1**, and then rotate the handle until it clicks into any of the 2 positions. **(6)-2**

## Base Installation

- 1 - Attach the ISOFIX guides to the vehicle's ISOFIX anchor bars (see vehicle owner's manual). **(7)** The ISOFIX guides can protect the surface of the vehicle seat from being torn. They can also guide the ISOFIX connectors.
- 2 - Unfold the load leg from storage compartment. **(8)**
- 3 - Extend the ISOFIX connectors by pressing the ISOFIX adjustment button while pulling on the connector. **(9)**
- 4 - Press the ISOFIX adjustment button to adjust the ISOFIX connectors. Line up the ISOFIX connectors with the ISOFIX guides, and then click both ISOFIX connectors into the ISOFIX anchor bars. **(10)**

! Make sure that both ISOFIX connectors are securely attached to the vehicle's ISOFIX anchor bars. There should be two audible clicks and the colors of the indicators on the both ISOFIX connectors should be completely green. **(10)-1**

! Check to make sure the base is securely installed by pulling on the both ISOFIX connectors.

- 5 - After placing the base on the vehicle seat, extend the load leg to floor **(11)**. When the load leg is installed correctly, the load leg indicator will show green. Red will be shown when installed incorrectly. **(11)-2**

! The load leg has multiple positions. When the load leg indicator shows red this means the load leg is in the wrong position.

! Make sure the load leg is in full contact with the vehicle floor pan.

! Squeeze the load leg adjustment button, then shorten the load leg upwards. **(11)-1**

The completely assembled base is shown as **(12)**.

! The ISOFIX connectors must be attached and locked onto the ISOFIX anchor bars. **(12)-1**

! The load leg must be installed correctly with green indicator. **(12)-2**

## Attaching Infant Carrier to the Base

- 1 - Push the infant carrier down into the base **(13)**, if the infant carrier is secure, the shell indicator will show green. **(14)**  
  
! Check that the infant carrier is locked onto the base by pulling up on the handle.
- 2 - Press the ISOFIX adjustment button, and push the base back until it comes in contact with the vehicle seat back. **(15)**
- 3 - To release the infant carrier, squeeze the infant carrier release button **(16)-1**, then lift the infant carrier up. **(16)-2**

## Uninstalling the Base

- 1 - To remove the base, press the secondary lock button **(17)-1** first, followed by the button **(17)-2** on the ISOFIX connectors before removing the base from the vehicle seat. **(17)**
- 2 - For transporting, press ISOFIX Adjustment button and move back ISOFIX connectors back into the storage position. **(18)**



## Height Adjustment

### for Head Support and Shoulder Harnesses

Check that shoulder harness straps are set at the proper height. Please choose the proper height of shoulder harness.

! Shoulder harness straps must be nearest to your child's shoulders (19), but not above the shoulder line. (20)

! If the Shoulder harness straps are not at proper height, the child might be ejected from the enhanced child restraint if there is a crash.

Pull the head support adjustment lever (21), meanwhile pull up or down the head support until it snaps into one of the 10 positions. The head support positions are shown as (22).

## Backrest Adjustment

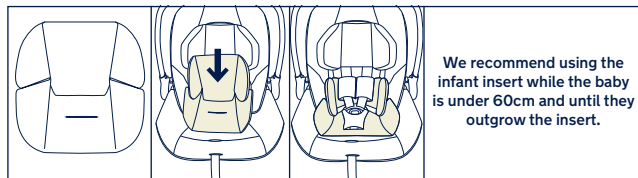
There are 3 angles for the backrest.

Please press backrest adjustment button (23) to heighten or lower the backrest. (24)

## Securing Child

1 - Press the rotating button to rotate for easier side loading/unloading of the child. (25)

2 - Use Infant Insert.



After the child is placed in the enhanced child restraint, check whether the shoulder harness straps are set to the proper height.

3 - While pressing the webbing adjustment button, pull completely the two shoulder harness straps of the enhanced child restraint. (26)

4 - Unlock the buckle by pressing the red button. (27)

5 - Place child into the enhanced child restraint and lock the buckle. (28)(29)

6 - Tighten the shoulder harness straps by pulling the adjustment webbing. (30)

! Make sure the space between the child and the shoulder harness straps is about the thickness of one hand.

7 - Rotating seat to be rearward facing, the enhanced child restraint indicator shows green. (31)

## Canopy

1 - To assemble the canopy, snap the canopy to the rear of seat. (32)

2 - To open the canopy, pull the canopy toward, and to close the canopy, push it back. (33)

3 - The canopy window can be opened for ventilation. (34)

## Detach & Assemble Soft Goods

see images (35)-(47)

To re-assemble the soft goods, reverse the aforementioned steps.

## Cleaning and Maintenance

Clean the frame, plastic parts, and fabric with a damp cloth, but do not use abrasives or bleach. Do not use silicon lubricants as they will attract dirt and grime.

To ensure long-lasting use, wipe this product off with a soft, absorbent cloth after using it in rainy weather.

Refer to the care labels attached to the soft goods for washing and drying instructions.

It is normal for fabric to color from sunlight and to show wear and tear after a long period of use, even when used normally.

For reasons of safety, only use original Nuna parts.

Check regularly if everything functions properly. If any parts are torn, broken, or missing, stop using this product.

## Vehicle Fitting Information

This enhanced child restraint is approved to ECE R129. It is suitable to fix into seat positions in most cars. The numbers on the diagram below correspond with the vehicle fitting positions listed in the following pages.

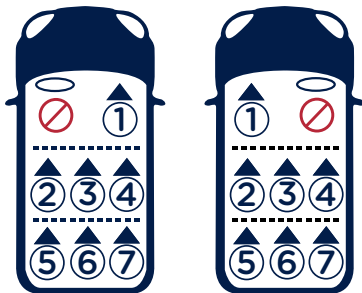
Seat positions in other cars may also be suitable to accept the base. If in doubt, consult either the enhanced child restraint manufacturer or the distributor.

ALWAYS give priority to the rear seats of your vehicle.

Don't use it on front seat with active airbag when installed in rear facing mode.

- Your child restraint can be fitted
- x Your child restraint can not be fitted

If your vehicle is not listed in this manual or it is not marked with either a "•" or "x" then please refer to your vehicle's handbook or contact the manufacturer for further information.



### Alfa Romeo

① ② ③ ④ ⑤ ⑥ ⑦

|                   |   |   |   |   |   |   |   |   |
|-------------------|---|---|---|---|---|---|---|---|
| Giulia (2017>)    | X | • | X | • | - | - | - | - |
| Giulietta (2010>) | X | • | X | • | - | - | - | - |
| MiTo (2009>)      | X | • | - | • | - | - | - | - |
| 4C Coupe (2014>)  | X | - | - | - | - | - | - | - |
| Stelvio (2017>)   | X | • | X | • | - | - | - | - |

### Aston Martin

|                 |   |   |   |   |   |   |   |   |
|-----------------|---|---|---|---|---|---|---|---|
| DB11 (2018>)    | X | X | - | X | - | - | - | - |
| DBS (2019>)     | X | X | - | X | - | - | - | - |
| Vantage (2019>) | X | - | - | - | - | - | - | - |

### Audi

|                               |   |   |   |   |   |   |   |   |
|-------------------------------|---|---|---|---|---|---|---|---|
| A1 (2011>)                    | X | • | X | • | - | - | - | - |
| A1 Sportback (2012>)          | X | • | X | • | - | - | - | - |
| A3 Hatch (2012>)              | X | • | X | • | - | - | - | - |
| A3 (1996 - 2003)              | X | • | X | • | - | - | - | - |
| A3 (2004 - 2011)              | X | • | X | • | - | - | - | - |
| A3/S3 (2012>)                 | X | • | X | • | - | - | - | - |
| A3 e-Tron Sportback (2015>)   | X | • | X | • | - | - | - | - |
| A3/S3 Saloon (2014>)          | X | • | X | • | - | - | - | - |
| A4 (2005 - 2009)              | X | • | X | • | - | - | - | - |
| A4/S4 (2015>)                 | X | • | X | • | - | - | - | - |
| A4 Avant (2016>)              | X | • | X | • | - | - | - | - |
| A4 Allroad (2008 - 2016)      | X | • | X | • | - | - | - | - |
| A4/S4 Avant (2008 - 2016)     | X | • | X | • | - | - | - | - |
| A4/S4 Saloon (2008 - 2016)    | X | • | X | • | - | - | - | - |
| A5/S5 Coupe (2016>)           | X | • | - | - | - | - | - | - |
| A5/S5 Coupe (2009 - 2016)     | X | • | - | - | - | - | - | - |
| A5/S5 Sportback (2009 - 2016) | X | • | X | • | - | - | - | - |
| A5/S5 Sportback (2017>)       | X | • | X | • | - | - | - | - |
| A5/S5 Convertible (2017>)     | X | • | - | • | - | - | - | - |
| A6 Allroad (2011 - 2016)      | X | • | X | • | - | - | - | - |
| A6/S6 Avant (2011 - 2016)     | X | • | X | • | - | - | - | - |
| A6/S6 (2011 - 2016)           | X | • | X | • | - | - | - | - |
| A6/S6 (2016>)                 | X | • | X | • | - | - | - | - |
| A6 Allroad (2016>)            | X | • | X | • | - | - | - | - |
| A7/S7 Sportback (2011 - 2015) | X | • | X | • | - | - | - | - |
| A7/S7 Sportback (2016 - 2018) | X | • | X | • | - | - | - | - |

|                            | ① | ② | ③ | ④ | ⑤ | ⑥ | ⑦ |
|----------------------------|---|---|---|---|---|---|---|
| A7/S7 Sportback (2018>)    | X | • | X | • | - | - | - |
| A8/S8 (2011 - 2017)        | X | • | X | • | - | - | - |
| A8/S8 (2018>)              | X | • | X | • | - | - | - |
| Q2/SQ2 (2016>)             | X | • | X | • | - | - | - |
| Q3/SQ3 (2013 - 2018)       | X | • | X | • | - | - | - |
| Q3/SQ3 (2019>)             | X | • | X | • | - | - | - |
| Q5/SQ5 (2008 - 2012)       | X | • | X | • | - | - | - |
| Q5/SQ5 (2012 - 2016)       | X | • | X | • | - | - | - |
| Q5/SQ5 (2017>)             | X | • | X | • | - | - | - |
| Q7 (2006 - 2015)           | X | • | X | • | - | - | - |
| Q7/SQ7 (2015>)             | X | • | X | • | X | - | X |
| Q8/SQ8 (2018>)             | X | • | X | • | - | - | - |
| TT/TTS Coupe (2006 - 2016) | X | X | - | X | - | - | - |

### Bentley

|                                       |   |   |   |   |   |   |   |
|---------------------------------------|---|---|---|---|---|---|---|
| Continental GT (2003 - 2012)          | X | • | - | • | - | - | - |
| Continental Flying Spur (2005 - 2012) | X | • | X | • | - | - | - |
| Continental GT Conv. (2006 - 2012)    | X | • | - | • | - | - | - |
| Mulsanne (2010>)                      | X | • | X | • | - | - | - |

### BMW

|                                    |   |   |   |   |   |   |   |
|------------------------------------|---|---|---|---|---|---|---|
| 1-Series 5dr (2004 - 2011)         | X | • | X | • | - | - | - |
| 1-Series Convertible (2008 - 2015) | X | • | - | • | - | - | - |
| 1-Series Coupe (2008 - 2015)       | X | • | - | • | - | - | - |
| 1 Series (F20) (2011 >)            | X | • | X | • | - | - | - |
| 2-Series AC-T (2015>)              | X | • | X | • | - | - | - |
| 2-Series Coupe (2014>)             | X | • | - | • | - | - | - |
| 3-Series (2005 - 2011)             | X | • | - | • | - | - | - |
| 3-Series Coupe (E90) (2007- 2014)  | X | • | - | • | - | - | - |
| 3 Series (F30) (2012>)             | X | • | X | • | - | - | - |
| 3 Series (E46) (2002 - 2006)       | X | X | X | X | - | - | - |
| 4-Series Gran Coupe (2014>)        | X | • | X | • | - | - | - |
| 5-Series Saloon (2003 - 2008)      | X | • | X | • | - | - | - |
| 5-Series Touring (2003 - 2008)     | X | • | X | • | - | - | - |
| 5-Series (2008 - 2010)             | X | • | X | • | - | - | - |
| 5-Series Touring (2011 - 2018)     | X | • | X | • | - | - | - |
| 5-Series Saloon (2011 - 2018)      | X | • | X | • | - | - | - |
| 5-Series (2018>)                   | X | • | X | • | - | - | - |
| 6-Series Coupe (2Dr) (2011>)       | X | • | - | • | - | - | - |
| 6-Series Convertible (2011>)       | X | • | - | • | - | - | - |

|                                     | ① | ② | ③ | ④ | ⑤ | ⑥ | ⑦ |
|-------------------------------------|---|---|---|---|---|---|---|
| 6-Series Gran Coupe (4Dr) (2011>)   | X | • | X | • | - | - | - |
| 7-Series (2010>)                    | X | • | X | • | - | - | - |
| 7-Series (2016>)                    | X | • | X | • | - | - | - |
| i3 (2014>)                          | X | • | - | • | - | - | - |
| i8 (2014)                           | X | X | X | X | - | - | - |
| X1 (2010 - 2015)                    | X | • | X | • | - | - | - |
| X1 (2016>)                          | X | • | X | • | - | - | - |
| X3 (F25) (2011>)                    | X | • | X | • | - | - | - |
| X3 (G) (2018>)                      | X | • | X | • | - | - | - |
| X4 (2014 - 2018)                    | X | • | X | • | - | - | - |
| X4 (2019>)                          | X | • | X | • | - | - | - |
| X5 (2000 - 2006)                    | X | X | X | X | - | - | - |
| X5 (2007 - 2014)                    | X | • | X | • | X | - | X |
| X5 (2015>)                          | X | • | X | • | X | - | X |
| X6 (2009>)                          | X | • | X | • | - | - | - |
| X6 (2015>)                          | X | • | - | • | - | - | - |
| 3-Series Gran Turismo (2013>)       | X | • | X | • | - | - | - |
| 5-Series Gran Turismo (2010 - 2018) | X | • | X | • | - | - | - |

### Cadillac

|                   |   |   |   |   |   |   |   |
|-------------------|---|---|---|---|---|---|---|
| BLS (2006 - 2010) | X | • | X | • | - | - | - |
|-------------------|---|---|---|---|---|---|---|

### Chevrolet

|                   |   |   |   |   |   |   |   |
|-------------------|---|---|---|---|---|---|---|
| Aveo 5dr (2012>)  | X | X | X | X | - | - | - |
| Captiva (2007>)   | X | • | X | • | - | - | - |
| Cruze (2009>)     | X | • | X | • | - | - | - |
| Spark 5Dr (2012>) | X | X | X | X | - | - | - |
| Volt (2011>)      | X | • | - | • | - | - | - |
| Orlando (2011>)   | X | • | X | • | - | - | - |
| Traxx (2013>)     | X | • | X | • | - | - | - |

### Chrysler

|                       |   |   |   |   |   |   |   |
|-----------------------|---|---|---|---|---|---|---|
| Grand Voyager (2008>) | X | • | - | • | X | X | X |
| 300C (2012>)          | X | • | X | • | - | - | - |
| Delta (2007>)         | X | • | X | • | - | - | - |
| Ypsilon (2012>)       | X | X | X | X | - | - | - |

Citroen

|                             | ① | ② | ③ | ④ | ⑤ | ⑥ | ⑦ |
|-----------------------------|---|---|---|---|---|---|---|
| Berlingo II (2008>)         | X | X | X | X | - | - | - |
| Berlingo Multispace (2007>) | X | X | X | X | X | - | X |
| C1 (2006 - 2015)            | X | X | - | X | - | - | - |
| C1 (2015>)                  | X | X | - | X | - | - | - |
| C3 5Dr (2005 - 2009)        | X | • | X | • | - | - | - |
| C3 5Dr (2009 - 2016)        | X | • | X | • | - | - | - |
| C3 Picasso (2009 - 2016)    | X | • | X | • | - | - | - |
| C3 5Dr (2017>)              | X | • | X | • | - | - | - |
| C3 Aircross (2017>)         | X | • | X | • | - | - | - |
| C4 (2010>)                  | X | • | X | • | - | - | - |
| C4 Picasso (2007 - 2014)    | X | X | X | X | - | - | - |
| C4 Picasso (2014>)          | X | X | X | X | X | - | X |
| C4 Grand Picasso (2014>)    | X | X | X | X | X | - | X |
| C4 G-Picasso (2007 - 2013)  | X | X | X | X | X | - | X |
| C5 (2006 - 2008)            | X | • | X | • | - | - | - |
| C5 Tourer (2008>)           | X | • | X | • | - | - | - |
| C5 Saloon (2008>)           | X | • | X | • | - | - | - |
| C5 Aircross (2019>)         | X | • | X | • | - | - | - |
| C4-Cactus (2015>)           | X | • | X | • | - | - | - |
| C-Crosser (2007 - 2012)     | X | • | X | • | - | - | - |
| DS3 (2011>)                 | X | X | X | X | - | - | - |
| DS3 Convertible (2016>)     | X | X | X | X | - | - | - |
| DS3 Crossback (2019>)       | X | • | X | • | - | - | - |
| DS4 (2011>)                 | X | • | X | • | - | - | - |
| DS5 (2013>)                 | X | • | X | • | - | - | - |
| DS7 (2018>)                 | X | • | X | • | - | - | - |
| Jumpy (2007 - 2012)         | X | • | X | • | X | X | X |
| Nemo (2008>)                | X | • | X | • | - | - | - |
| Xsara 5Dr (2000 - 2006)     | X | X | X | X | - | - | - |
| Xsara Picasso (2000 - 2012) | X | X | X | X | - | - | - |

Dacia

|                         |   |   |   |   |   |   |   |
|-------------------------|---|---|---|---|---|---|---|
| Duster (2012>)          | X | • | X | • | - | - | - |
| Logan MCV (2006 - 2012) | X | • | X | • | - | - | - |
| Logan MCV (2013>)       | X | • | X | • | - | - | - |
| Sandero (2013>)         | X | • | X | • | - | - | - |

Fiat

|                                   | ① | ② | ③ | ④ | ⑤ | ⑥ | ⑦ |
|-----------------------------------|---|---|---|---|---|---|---|
| 124 Spider (2016>)                | X | - | - | - | - | - | - |
| 500 (2008 >)                      | X | X | - | X | - | - | - |
| 500 C (2009>)                     | X | X | - | X | - | - | - |
| Abarth 500 (2009>)                | X | X | - | X | - | - | - |
| Bravo (2007>)                     | X | • | X | • | - | - | - |
| 500L (2013>)                      | X | • | X | • | - | - | - |
| 500X (2015>)                      | X | • | X | • | - | - | - |
| Doblo (2010>)                     | X | • | X | • | - | - | - |
| Panda (2012>)                     | X | X | X | X | - | - | - |
| Grande Punto (2006>)              | X | • | X | • | - | - | - |
| Abarth Grande Punto (2008 - 2011) | X | • | X | • | - | - | - |
| Qubo (2008>)                      | X | • | X | • | - | - | - |
| Tipo (2016>)                      | X | • | X | • | - | - | - |

Ford

|                               |   |   |   |   |   |   |   |
|-------------------------------|---|---|---|---|---|---|---|
| B-Max (2012 >)                | X | • | X | • | - | - | - |
| C-Max (2003 - 2010)           | X | X | X | X | - | - | - |
| C-Max (2010 - 2012)           | X | • | X | • | - | - | - |
| C-Max (2013 >)                | X | • | X | • | - | - | - |
| Edge (2016>)                  | X | • | X | • | - | - | - |
| Fiesta (2004 - 2008)          | X | X | X | X | - | - | - |
| Fiesta (2008 - 2017)          | X | • | X | • | - | - | - |
| Fiesta (2017>)                | X | • | X | • | - | - | - |
| Focus Mk1 (1998 - 2005)       | X | X | X | X | - | - | - |
| Focus (2005 - 2009)           | X | X | X | X | - | - | - |
| Focus (2010 - 2015)           | X | • | X | • | - | - | - |
| Focus (2015 - 2019)           | X | • | X | • | - | - | - |
| Focus EV (2015 - 2019)        | X | • | X | • | - | - | - |
| Focus (2019>)                 | X | • | X | • | - | - | - |
| Galaxy (2006 - 2015)          | X | • | X | • | X | - | X |
| Galaxy (2016>)                | X | • | X | • | X | - | X |
| Ka (2009 - 2016)              | X | • | - | • | - | - | - |
| Ka+ (2016>)                   | X | • | X | • | - | - | - |
| Kuga (2008 - 2012)            | X | • | X | • | - | - | - |
| Kuga (2013>)                  | X | • | X | • | - | - | - |
| Mondeo (2002 - 2007)          | X | X | X | X | - | - | - |
| Mondeo Estate (2007- 2014)    | X | • | X | • | - | - | - |
| Mondeo Hatchback (2007- 2014) | X | • | X | • | - | - | - |
| Mondeo Saloon (2007- 2014)    | X | • | X | • | - | - | - |

|                             | ① | ② | ③ | ④ | ⑤ | ⑥ | ⑦ |
|-----------------------------|---|---|---|---|---|---|---|
| Mondeo (2014>)              | X | • | X | • | - | - | - |
| Mustang Coupe (2016>)       | X | X | - | X | - | - | - |
| Mustang Convertible (2016>) | X | X | - | X | - | - | - |
| S-Max (2006 -2015)          | X | • | X | • | X | - | X |
| S-Max (2016)                | X | • | X | • | X | - | X |
| EcoSport (2015>)            | X | • | X | • | - | - | - |

## Honda

|                                   |   |   |   |   |   |   |   |
|-----------------------------------|---|---|---|---|---|---|---|
| Accord Saloon (2008>)             | X | • | X | • | - | - | - |
| Accord Tourer (2008>)             | X | • | X | • | - | - | - |
| Civic (2012 - 2017)               | X | • | X | • | - | - | - |
| Civic (2006 - 2011)               | X | • | X | • | - | - | - |
| Civic Hybrid Saloon (2006 - 2010) | X | • | X | • | - | - | - |
| Civic Tourer (2014>)              | X | • | X | • | - | - | - |
| Civic (2017>)                     | X | • | X | • | - | - | - |
| CR-V (2007 -2013)                 | X | • | X | • | - | - | - |
| CR-V (2012>)                      | X | • | X | • | - | - | - |
| Elysion (2012>)                   | X | • | - | • | X | - | X |
| FRV (2006 - 2011)                 | X | • | X | • | - | - | - |
| HR-V (2015>)                      | X | • | X | • | - | - | - |
| Insight (2009>)                   | X | X | X | X | - | - | - |
| Jazz (2002 - 2008)                | X | • | X | • | - | - | - |
| Jazz (2008 - 2015)                | X | • | X | • | - | - | - |
| Jazz (2016>)                      | X | • | X | • | - | - | - |
| Legend (2006 - 2010)              | X | • | X | • | - | - | - |
| Odyssey (2010>)                   | X | X | - | X | - | - | - |

## Hyundai

|                    |   |   |   |   |   |   |   |
|--------------------|---|---|---|---|---|---|---|
| Getz (2005 - 2011) | X | X | X | X | - | - | - |
| i10 (2008 - 2013)  | X | X | X | X | - | - | - |
| i10 (2014>)        | X | • | X | • | - | - | - |
| i20 (2009 - 2014)  | X | • | X | • | - | - | - |
| i20 (2015>)        | X | • | X | • | - | - | - |
| i30 (2012 - 2014)  | X | • | X | • | - | - | - |
| i30 (2015>)        | X | • | X | • | - | - | - |
| i40 (2011>)        | X | • | X | • | - | - | - |
| ix20 (2011>)       | X | • | X | • | - | - | - |
| ix35 (2010>)       | X | • | X | • | - | - | - |
| i800/H1 (2008>)    | X | • | X | • | X | X | X |
| Ioniq (2016>)      | X | • | X | • | - | - | - |

|                        | ① | ② | ③ | ④ | ⑤ | ⑥ | ⑦ |
|------------------------|---|---|---|---|---|---|---|
| Genesis (2016>)        | X | • | X | • | - | - | - |
| Kona (2017>)           | X | • | X | • | - | - | - |
| Santa Fe (2007 - 2012) | X | • | X | • | X | - | X |
| Santa Fe (2012>)       | X | • | X | • | X | - | X |
| Tucson (2010 - 2014)   | X | • | X | • | - | - | - |
| Tucson (2015>)         | X | • | X | • | - | - | - |
| Veloster (2012>)       | X | X | - | X | - | - | - |

## Infiniti

|                  |   |   |   |   |   |   |   |
|------------------|---|---|---|---|---|---|---|
| EX SUV (2009>)   | X | • | X | • | - | - | - |
| FX SUV (2009>)   | X | • | X | • | - | - | - |
| G Coupe (2009>)  | X | X | - | X | - | - | - |
| G Saloon (2009>) | X | • | X | • | - | - | - |
| M Saloon (2010>) | X | • | X | • | - | - | - |

## Jaguar

|                              |   |   |   |   |   |   |   |
|------------------------------|---|---|---|---|---|---|---|
| E-Pace (2018>)               | X | • | X | • | - | - | - |
| F-Pace (2016>)               | X | • | X | • | - | - | - |
| I-Pace (2018>)               | X | • | X | • | - | - | - |
| F-Type Coupe (2014>)         | X | - | - | - | - | - | - |
| X-Type (2001- 2010)          | X | X | X | X | - | - | - |
| X-Type Estate (2004 - 2010)  | X | X | X | X | - | - | - |
| XE (2015>)                   | X | • | X | • | - | - | - |
| XF (2008 - 2014)             | X | • | X | • | - | - | - |
| XF (2015>)                   | X | • | X | • | - | - | - |
| XF R (2009 - 2014)           | X | • | X | • | - | - | - |
| XF Sportbrake (2013 - 2017)  | X | • | X | • | - | - | - |
| XJ (2010>)                   | X | • | X | • | - | - | - |
| XK/R Coupe (2006 - 2016)     | X | X | - | X | - | - | - |
| XK Convertible (2006 - 2016) | X | X | - | X | - | - | - |

## Jeep

|                        |   |   |   |   |   |   |   |
|------------------------|---|---|---|---|---|---|---|
| Grand Cherokee (2011>) | X | • | X | • | - | - | - |
| Compass (2011>)        | X | • | X | • | - | - | - |
| Cherokee (2014>)       | X | • | X | • | - | - | - |
| Renegade (2015>)       | X | • | X | • | - | - | - |
| Wrangler 5Dr (2007>)   | X | • | X | • | - | - | - |

Kia

① ② ③ ④ ⑤ ⑥ ⑦

|                        |   |   |   |   |   |   |   |
|------------------------|---|---|---|---|---|---|---|
| Carens (2013>)         | X | X | X | X | X | - | X |
| Cee'D Hatch (2012>)    | X | . | X | . | - | - | - |
| Niro (2017>)           | X | . | X | . | - | - | - |
| Optima (2011 - 2015)   | X | . | X | . | - | - | - |
| Optima (2016>)         | X | . | X | . | - | - | - |
| Picanto (2008 - 2011)  | X | X | X | X | - | - | - |
| Picanto (2011>)        | X | . | X | . | - | - | - |
| Rio (2012 - 2016)      | X | X | X | X | - | - | - |
| Rio (2016>)            | X | . | X | . | - | - | - |
| Sorento (2004 - 2009)  | X | . | X | . | - | - | - |
| Sorento (2010 - 2014)  | X | . | X | . | - | - | - |
| Sorento (2015>)        | X | . | X | . | X | - | X |
| Soul (2009>)           | X | . | X | . | - | - | - |
| Soul / EV (2015>)      | X | . | X | . | - | - | - |
| Sportage (2011 - 2015) | X | . | X | . | - | - | - |
| Sportage (2016>)       | X | . | X | . | - | - | - |
| Stonic (2017>)         | X | . | X | . | - | - | - |
| Venga (2011>)          | X | . | X | . | - | - | - |

Land Rover

|                                   |   |   |   |   |   |   |   |
|-----------------------------------|---|---|---|---|---|---|---|
| Discovery Sport (2015>)           | X | . | X | . | X | - | X |
| Discovery 4 (2009 - 2016)         | X | . | X | . | X | - | X |
| Discovery 5 (2017>)               | X | . | X | . | X | - | X |
| Freelander 2 (2006 - 2014)        | X | . | X | . | - | - | - |
| Range Rover (2013>)               | X | . | X | . | - | - | - |
| Range Rover (2002 - 2012)         | X | . | X | . | - | - | - |
| Range Rover Sport (2005 -2012)    | X | . | X | . | - | - | - |
| Range Rover Sport (2013>)         | X | . | X | . | - | - | - |
| Range Rover Evoque 3 door (2011>) | X | . | X | . | - | - | - |
| Range Rover Evoque 5 door (2011>) | X | . | X | . | - | - | - |
| Range Rover Velar (2017>)         | X | . | X | . | - | - | - |

Lancia

|                 |   |   |   |   |   |   |   |
|-----------------|---|---|---|---|---|---|---|
| Thema (2012>)   | X | . | X | . | - | - | - |
| Voyager (2010>) | X | . | - | . | X | X | X |
| Delta (2011>)   | X | . | X | . | - | - | - |
| Ypsilon (2012>) | X | X | X | X | - | - | - |

Lexus

① ② ③ ④ ⑤ ⑥ ⑦

|                  |   |   |   |   |   |   |   |
|------------------|---|---|---|---|---|---|---|
| CT (2011>)       | X | . | X | . | - | - | - |
| ES (2019>)       | X | . | X | . | - | - | - |
| GS (2013>)       | X | . | X | . | - | - | - |
| GSh (2013>)      | X | . | X | . | - | - | - |
| IS (1999 - 2004) | X | . | X | . | - | - | - |
| IS (2005 - 2012) | X | . | X | . | - | - | - |
| NX (2014>)       | X | . | X | . | - | - | - |
| RX (2010-2016)   | X | . | X | . | - | - | - |
| RX (2016>)       | X | . | X | . | - | - | - |
| UX (2019>)       | X | . | X | . | - | - | - |

Maserati

|                      |   |   |   |   |   |   |   |
|----------------------|---|---|---|---|---|---|---|
| Levante (2017>)      | X | . | X | . | - | - | - |
| Ghibli (2014>)       | X | . | X | . | - | - | - |
| Quattroporte (2016>) | X | . | X | . | - | - | - |
| Gran Turismo (2007>) | X | X | X | X | - | - | - |

Mazda

|                        |   |   |   |   |   |   |   |
|------------------------|---|---|---|---|---|---|---|
| CX-3 (2015>)           | X | . | X | . | - | - | - |
| CX-5 (2011>)           | X | . | X | . | - | - | - |
| CX-7 (2007 - 2011)     | X | . | X | . | - | - | - |
| 2 (2009 - 2015)        | X | X | X | X | - | - | - |
| 2 (2015>)              | X | . | X | . | - | - | - |
| 3 Hatch (2009 -2013)   | X | . | X | . | - | - | - |
| 3 Saloon (2009 -2013)  | X | . | X | . | - | - | - |
| 3 Hatchback (2014>)    | X | . | X | . | - | - | - |
| 5 (2005 - 2010)        | X | . | X | . | - | - | - |
| 6 Estate (2008 - 2012) | X | . | X | . | - | - | - |
| 6 Hatch (2007 - 2012)  | X | . | X | . | - | - | - |
| 6 Saloon (2007 - 2009) | X | . | X | . | - | - | - |
| 6 Estate (2013>)       | X | . | X | . | - | - | - |
| 6 Saloon (2012 - 2018) | X | . | X | . | - | - | - |
| 6 Saloon (2018>)       | X | . | X | . | - | - | - |
| MX-5 (2015>)           | X | - | - | - | - | - | - |

Mercedes-Benz

① ② ③ ④ ⑤ ⑥ ⑦

|                              |   |   |   |   |   |   |   |
|------------------------------|---|---|---|---|---|---|---|
| A Class (2005 - 2012)        | X | X | X | X | - | - | - |
| A-Class (2013 - 2018)        | X | . | X | . | - | - | - |
| A-Class (2019>)              | X | . | X | . | - | - | - |
| B-Class (2012>)              | X | . | X | . | - | - | - |
| B-Class EV (2015>)           | X | . | X | . | - | - | - |
| C-Class (2008>)              | X | . | X | . | - | - | - |
| C-Class Estate (2008>)       | X | . | X | . | - | - | - |
| C-Class Coupe (2011>)        | X | . | - | . | - | - | - |
| C-Class Estate (2015>)       | X | . | X | . | - | - | - |
| CLA (2013>)                  | X | . | X | . | - | - | - |
| CLS Shooting Brake (2012>)   | X | . | X | . | - | - | - |
| CLS Coupe (2011>)            | X | . | X | . | - | - | - |
| E-Class (2005 - 2009)        | X | . | X | . | - | - | - |
| E-Class Saloon (2009 - 2012) | X | . | X | . | - | - | - |
| E-Class Coupe (2009 - 2016)  | X | . | - | . | - | - | - |
| E-Class Coupe (2017>)        | X | . | - | . | - | - | - |
| E-Class Convertible (2017>)  | X | . | - | . | - | - | - |
| E-Class Estate (2013 - 2018) | X | . | X | . | - | - | - |
| E-Class Saloon (2013 - 2018) | X | . | X | . | - | - | - |
| E-Class (2017>)              | X | . | X | . | - | - | - |
| GLA (2014>)                  | X | . | X | . | - | - | - |
| GL Class (2006 - 2012)       | X | . | X | . | X | - | X |
| GL/S Class (2012>)           | X | . | X | . | X | - | X |
| GLC (2016>)                  | X | . | X | . | - | - | - |
| GLE (2015>)                  | X | . | X | . | - | - | - |
| ML-Class (2005 - 2012)       | X | . | X | . | - | - | - |
| ML-Class (2012>)             | X | . | X | . | - | - | - |
| R-Class (2006 - 2012)        | X | . | X | . | - | - | - |
| S-Class (2006 - 2013)        | X | . | X | . | - | - | - |
| S Class (2015>)              | X | . | X | . | - | - | - |
| SL-Class (2012>)             | X | - | - | - | - | - | - |
| SLK (2011>)                  | X | - | - | - | - | - | - |
| V-Class (2015>)              | X | . | X | . | . | X | . |

MG

|                   |   |   |   |   |   |   |   |
|-------------------|---|---|---|---|---|---|---|
| GS (2016>)        | X | . | X | . | - | - | - |
| MG3 (2013 - 2015) | X | . | X | . | - | - | - |
| MG3 (2016>)       | X | . | X | . | - | - | - |
| MG6 (2012 - 2016) | X | . | X | . | - | - | - |

MG Rover

① ② ③ ④ ⑤ ⑥ ⑦

|                                   |   |   |   |   |   |   |   |
|-----------------------------------|---|---|---|---|---|---|---|
| Rover 25 Streetwise (1999 - 2005) | X | X | X | X | - | - | - |
| Rover Streetwise (1999 - 2005)    | X | X | X | X | - | - | - |
| MG ZR (2001 - 2005)               | X | X | X | X | - | - | - |
| MG ZT (2003 - 2006)               | X | X | X | X | - | - | - |

Mini

|                          |   |   |   |   |   |   |   |
|--------------------------|---|---|---|---|---|---|---|
| Hatchback (2000 - 2006)  | X | X | - | X | - | - | - |
| Hatchback (2006 - 2014)  | X | . | - | . | - | - | - |
| Hatchback 3Dr (2014>)    | X | . | - | . | - | - | - |
| Coupe (2009>)            | X | - | - | - | - | - | - |
| Countryman (2010 - 2016) | X | . | X | . | - | - | - |
| Countryman (2017>)       | X | . | X | . | - | - | - |
| Paceman (2013>)          | X | . | - | . | - | - | - |
| Hatchback 5dr (2015>)    | X | . | X | . | - | - | - |
| Clubman (2016>)          | X | . | X | . | - | - | - |

Mitsubishi

|                                |   |   |   |   |   |   |   |
|--------------------------------|---|---|---|---|---|---|---|
| ASX (2010>)                    | X | . | X | . | - | - | - |
| Colt (2007 - 2013)             | X | X | X | X | - | - | - |
| Lancer (2008 - 2011>)          | X | . | X | . | - | - | - |
| Lancer Sportback (2008 - 2011) | X | . | X | . | - | - | - |
| Lancer Ralliart (2009 - 2011)  | X | . | X | . | - | - | - |
| Mirage (2014>)                 | X | . | X | . | - | - | - |
| Outlander (2007 - 2013)        | X | . | X | . | - | - | - |
| Outlander (2013>)              | X | . | X | . | - | - | - |
| Outlander PHEV (2015>)         | X | . | X | . | - | - | - |
| Shogun (2007>)                 | X | . | X | . | - | - | - |

Nissan

|                         |   |   |   |   |   |   |   |
|-------------------------|---|---|---|---|---|---|---|
| Juke (2010>)            | X | . | X | . | - | - | - |
| Leaf EV (2011 - 2018)   | X | . | X | . | - | - | - |
| Micra (2011 - 2016)     | X | . | X | . | - | - | - |
| Micra (2017>)           | X | . | X | . | - | - | - |
| Murano (2016>)          | X | . | X | . | - | - | - |
| Note (2006 - 2013)      | X | . | X | . | - | - | - |
| Note (2014>)            | X | . | X | . | - | - | - |
| Qashqai+2 (2008 - 2015) | X | . | X | . | - | - | - |

|                            | ① | ② | ③ | ④ | ⑤ | ⑥ | ⑦ |
|----------------------------|---|---|---|---|---|---|---|
| Qashqai (2007 - 2013)      | X | • | X | • | - | - | - |
| Qashqai (2014>)            | X | • | X | • | - | - | - |
| Quest MPV (2012>)          | X | • | - | • | X | - | X |
| Pulsar (2015>)             | X | • | X | • | - | - | - |
| 2008 X-Trail (2008 - 2015) | X | • | X | • | - | - | - |
| X-Trail (2015>)            | X | • | X | • | X | - | X |

## Opel

|                                      |   |   |   |   |   |   |   |
|--------------------------------------|---|---|---|---|---|---|---|
| Adam (2013 >)                        | X | X | - | X | - | - | - |
| Agila (2008>)                        | X | • | X | • | - | - | - |
| Ampera (2011>)                       | X | • | - | • | - | - | - |
| Antara (2007 - 2015)                 | X | • | X | • | - | - | - |
| Astra (2004 - 2010)                  | X | • | X | • | - | - | - |
| Astra (2010 - 2016)                  | X | • | X | • | - | - | - |
| Astra Estate (2010 - 2016)           | X | • | X | • | - | - | - |
| Astra GTC (2011>)                    | X | • | X | • | - | - | - |
| Astra (2015>)                        | X | • | X | • | - | - | - |
| Corsa D (2007 - 2014)                | X | • | X | • | - | - | - |
| Corsa 3 dr hatch (2006 - 2015)       | X | • | X | • | - | - | - |
| Corsa 5 dr (2006 - 2015)             | X | • | X | • | - | - | - |
| Corsa 5dr (2015>)                    | X | • | X | • | - | - | - |
| Corsa VXR (2007 - 2014)              | X | • | X | • | - | - | - |
| Crossland X (2018>)                  | X | • | X | • | - | - | - |
| Insignia Hatch (2009 - 2017)         | X | • | X | • | - | - | - |
| Insignia Saloon (2009 - 2017)        | X | • | X | • | - | - | - |
| Insignia Sports Tourer (2009 - 2017) | X | • | X | • | - | - | - |
| Insignia (2018>)                     | X | • | X | • | - | - | - |
| Karl (2015>)                         | X | • | X | • | X | • | - |
| Meriva (2010>)                       | X | • | X | • | - | - | - |
| Mokka (2013>)                        | X | • | X | • | - | - | - |
| Vectra (2005 - 2008)                 | X | • | X | • | - | - | - |
| Zafira (2005 - 2014)                 | X | • | X | • | - | - | - |
| Zafira Tourer (2014>)                | X | • | X | • | X | - | X |

## Peugeot

|                       |   |   |   |   |   |   |   |
|-----------------------|---|---|---|---|---|---|---|
| 107 (2005 - 2014)     | X | X | - | X | - | - | - |
| 108 (2015>)           | X | X | X | X | - | - | - |
| 206 (2004 - 2009)     | X | X | X | X | - | - | - |
| 207 3dr (2006 - 2012) | X | X | X | X | - | - | - |
| 207 5dr (2006 - 2012) | X | X | X | X | - | - | - |

|                             | ① | ② | ③ | ④ | ⑤ | ⑥ | ⑦ |
|-----------------------------|---|---|---|---|---|---|---|
| 207 SW (2007 - 2012)        | X | • | X | • | - | - | - |
| 2008 (2013>)                | X | • | X | • | - | - | - |
| 208 3DR (2013>)             | X | • | X | • | - | - | - |
| 208 5DR (2013>)             | X | • | X | • | - | - | - |
| 307 Hatchback (2001 - 2007) | X | • | X | • | - | - | - |
| 307 Estate (2001 - 2007)    | X | • | X | • | - | - | - |
| 308 Hatchback (2007- 2014)  | X | • | X | • | - | - | - |
| 308 SW (2008 - 2015)        | X | • | X | • | - | - | - |
| 308 SW (2015>)              | X | • | X | • | - | - | - |
| 308 (2014>)                 | X | • | X | • | - | - | - |
| 3008 (2009 - 2016)          | X | X | X | X | - | - | - |
| 3008 (2017>)                | X | • | X | • | - | - | - |
| 407 (2004 - 2011)           | X | • | X | • | - | - | - |
| 407 (SW) (2004 - 2011)      | X | • | X | • | - | - | - |
| 4007 (2007 - 2012)          | X | • | X | • | - | - | - |
| 508 (2011 - 2018)           | X | • | X | • | - | - | - |
| 508 SW (2011>)              | X | • | X | • | - | - | - |
| 508 RXH (2013>)             | X | • | X | • | - | - | - |
| 508 (2019>)                 | X | • | X | • | - | - | - |
| 5008 (2011 - 2017)          | X | X | X | X | X | - | X |
| 5008 (2018>)                | X | X | X | X | X | - | X |
| Bipper (2008>)              | X | • | X | • | - | - | - |
| Expert Tepee (2007 - 2016)  | X | • | X | • | X | X | X |
| Partner Combi (2004 - 2010) | X | X | X | X | - | - | - |
| Partner Teepee (2008>)      | X | X | X | X | - | - | - |
| RCZ (2011>)                 | X | X | - | X | - | - | - |
| Traveller (2016>)           | X | • | X | • | • | • | • |

## Porsche

|                                |   |   |   |   |   |   |   |
|--------------------------------|---|---|---|---|---|---|---|
| Cayenne (2011 - 2016)          | X | • | X | • | - | - | - |
| Cayenne E-Hybrid (2015 - 2017) | X | • | X | • | - | - | - |
| Cayenne (2017>)                | X | • | X | • | - | - | - |
| Macan (2015>)                  | X | • | X | • | - | - | - |
| Panamera (2011>)               | X | • | - | • | - | - | - |
| Panamera E-Hybrid (2015>)      | X | • | - | • | - | - | - |

## Renault

|                          |   |   |   |   |   |   |   |
|--------------------------|---|---|---|---|---|---|---|
| Captur (2015>)           | X | • | X | • | - | - | - |
| Clio (2005 - 2012)       | X | X | X | X | - | - | - |
| Clio Sport (2006 - 2012) | X | • | X | • | - | - | - |



|                                   | ① | ② | ③ | ④ | ⑤ | ⑥ | ⑦ |
|-----------------------------------|---|---|---|---|---|---|---|
| Clio Sport Tourer (2007 - 2012)   | X | . | X | . | - | - | - |
| Clio (2013>)                      | X | . | X | . | - | - | - |
| Espace (2003 - 2012)              | X | . | X | . | X | - | X |
| Grand Espace (2003 - 2012)        | X | . | X | . | X | - | X |
| Kadjar (2015>)                    | X | . | X | . | - | - | - |
| Laguna (2008 - 2012)              | X | . | X | . | - | - | - |
| Laguna Sport Tourer (2008 - 2012) | X | . | X | . | - | - | - |
| Megane (2007)                     | X | . | X | . | - | - | - |
| Megane Hatch (2002 - 2009)        | X | . | X | . | - | - | - |
| Megane Hatch (2008 - 2016)        | X | . | X | . | - | - | - |
| Megane Sport Tourer (2009 - 2016) | X | . | X | . | - | - | - |
| Megane Hatch (2016>)              | X | . | X | . | - | - | - |
| Modus (2004 - 2012)               | X | . | X | . | - | - | - |
| Grand Modus (2008 - 2012)         | X | . | X | . | - | - | - |
| Scenic (2003 - 2009)              | X | X | X | X | - | - | - |
| Scenic (2009- 2016)               | X | X | X | X | - | - | - |
| Scenic (2017>)                    | X | X | X | X | - | - | - |
| Twingo (2007 - 2014)              | X | X | - | X | - | - | - |
| Twingo (2015>)                    | X | X | - | X | - | - | - |
| <b>Saab</b>                       |   |   |   |   |   |   |   |
| 93 (2002 - 2012)                  | X | . | X | . | - | - | - |
| 93 Sport Wagon (2005 - 2012)      | X | . | X | . | - | - | - |
| 93 X (2009 - 2012)                | X | . | X | . | - | - | - |
| 95 Estate (2005 - 2010)           | X | . | X | . | - | - | - |
| 95 (2011-2012)                    | X | . | X | . | - | - | - |
| <b>Seat</b>                       |   |   |   |   |   |   |   |
| Alhambra (2010>)                  | X | X | . | X | X | - | X |
| Altea (2004- 2011)                | X | . | X | . | - | - | - |
| Altea XL (2007- 2011)             | X | . | X | . | - | - | - |
| Altea Freetrack4 (2007- 2009)     | X | . | X | . | - | - | - |
| Arosa (1997 - 2004)               | X | X | X | X | - | - | - |
| Ateca (2017>)                     | X | . | X | . | - | - | - |
| Exeo (2008 - 2014)                | X | . | X | . | - | - | - |
| Exeo ST Estate (2008 - 2014)      | X | . | X | . | - | - | - |
| Ibiza Cupra (2009 - 2017)         | X | X | X | X | - | - | - |
| Ibiza FR (2009 - 2017)            | X | X | X | X | - | - | - |
| Ibiza Hatch (2008 - 2017)         | X | . | X | . | - | - | - |
| Ibiza (2018 >)                    | X | . | X | . | - | - | - |

|                                    |   |   |   |   |   |   |   |
|------------------------------------|---|---|---|---|---|---|---|
| Leon 5dr (2001 - 2005)             | X | . | X | . | - | - | - |
| Leon 5dr (2005 - 2012)             | X | . | X | . | - | - | - |
| Leon (2013>)                       | X | . | X | . | - | - | - |
| mii (2011>)                        | X | X | X | X | - | - | - |
| Toledo (2013>)                     | X | . | X | . | - | - | - |
| <b>Skoda</b>                       |   |   |   |   |   |   |   |
| Citigo (2012>)                     | X | X | X | X | - | - | - |
| Fabia (2015>)                      | X | . | X | . | - | - | - |
| Fabia Estate Combi (2008>)         | X | . | X | . | - | - | - |
| Fabia Hatch (2007>)                | X | . | X | . | - | - | - |
| Karoq (2017>)                      | X | . | X | . | - | - | - |
| Kodiaq (2017>)                     | X | . | X | . | X | - | X |
| Octavia Estate Combi (2005 - 2013) | X | . | X | . | - | - | - |
| Octavia (2004 - 2012)              | X | . | X | . | - | - | - |
| Octavia Scout (2007 - 2013)        | X | . | X | . | - | - | - |
| Octavia Hatch (2013>)              | X | . | X | . | - | - | - |
| Rapid (2013>)                      | X | . | X | . | - | - | - |
| Roomster (2006>)                   | X | . | X | . | - | - | - |
| Superb Combi/Estate (2008>)        | X | . | X | . | - | - | - |
| Superb (2008 - 2014)               | X | . | X | . | - | - | - |
| Superb (2015>)                     | X | . | X | . | - | - | - |
| Yeti (2009>)                       | X | . | X | . | - | - | - |
| <b>Smart</b>                       |   |   |   |   |   |   |   |
| For Two Coupe (2007 - 2011)        | X | - | - | - | - | - | - |
| FourFour (2015>)                   | X | X | - | X | - | - | - |
| <b>Ssangyong</b>                   |   |   |   |   |   |   |   |
| Actyon (2006 - 2011)               | X | . | X | . | - | - | - |
| Korando (2011>)                    | X | . | X | . | - | - | - |
| Musso Pickup (2016)                | X | . | X | . | - | - | - |
| Retxton (2014>)                    | X | . | X | . | - | - | - |
| Tivoli (2016>)                     | X | . | X | . | - | - | - |
| Turismo (2014>)                    | X | . | X | . | X | X | X |

|                             | ① | ② | ③ | ④ | ⑤ | ⑥ | ⑦ |                                      | ①            | ② | ③ | ④ | ⑤ | ⑥ | ⑦ |
|-----------------------------|---|---|---|---|---|---|---|--------------------------------------|--------------|---|---|---|---|---|---|
| <b>Subaru</b>               |   |   |   |   |   |   |   |                                      | GT86 (2012>) | X | X | - | X | - | - |
|                             |   |   |   |   |   |   |   | Highlander (2013>)                   | X            | • | X | • | - | - | - |
| BRZ (2012>)                 | X | X | - | X | - | - | - | Land Cruiser (2003 - 2009)           | X            | • | X | • | - | - | - |
| Forester (2013>)            | X | • | X | • | - | - | - | Landcruiser (2009>)                  | X            | X | X | X | - | - | - |
| Impreza (2007 - 2012)       | X | • | X | • | - | - | - | Prius 2 (2004 - 2010)                | X            | • | X | • | - | - | - |
| Impreza (2013>)             | X | • | X | • | - | - | - | Prius 3 (2010 - 2016)                | X            | • | X | • | - | - | - |
| Legacy (2012>)              | X | • | X | • | - | - | - | Prius PHEV 3 (2015>)                 | X            | • | X | • | - | - | - |
| Levorg (2014>)              | X | • | X | • | - | - | - | Prius Plus+ (2012>)                  | X            | • | X | • | - | - | - |
| Outback (2012>)             | X | • | X | • | - | - | - | Prius 4 (2016>)                      | X            | • | X | • | - | - | - |
| XV Hatchback (2011>)        | X | • | X | • | - | - | - | RAV 4 (Mk3) (2006 - 2012)            | X            | • | X | • | - | - | - |
|                             |   |   |   |   |   |   |   | RAV4 (2013 - 2018)                   | X            | • | X | • | - | - | - |
| <b>Suzuki</b>               |   |   |   |   |   |   |   | RAV4 Hybrid (2015 - 2018)            | X            | • | X | • | - | - | - |
|                             |   |   |   |   |   |   |   | RAV4 (2019>)                         | X            | • | X | • | - | - | - |
| Alto (2009>)                | X | X | - | X | - | - | - | Verso (2009 - 2012)                  | X            | X | X | X | - | - | - |
| Baleno (2016>)              | X | • | X | • | - | - | - | Verso (2013>)                        | X            | X | X | X | - | - | - |
| Celerio (2016>)             | X | • | X | • | - | - | - | Yaris (2008 - 2011)                  | X            | X | X | X | - | - | - |
| Grand Vitara (2006>)        | X | • | X | • | - | - | - | Yaris (2011 - 2017)                  | X            | X | X | X | - | - | - |
| Vitara (2015>)              | X | • | X | • | - | - | - | Yaris (2017>)                        | X            | • | X | • | - | - | - |
| Ignis (2016>)               | X | • | X | • | - | - | - |                                      |              |   |   |   |   |   |   |
| Swift Sport (2011 - 2016)   | X | X | X | X | - | - | - | <b>Vauxhall</b>                      |              |   |   |   |   |   |   |
| Swift (2017>)               | X | • | X | • | - | - | - | Adam (2013>)                         | X            | X | - | X | - | - | - |
| Splash (2008>)              | X | X | X | X | - | - | - | Agila (2008>)                        | X            | • | X | • | - | - | - |
| SX-4 (2006>)                | X | • | X | • | - | - | - | Ampera (2011>)                       | X            | • | - | • | - | - | - |
| SX-4 (2009>)                | X | • | X | • | - | - | - | Antara (2007 - 2015)                 | X            | • | X | • | - | - | - |
|                             |   |   |   |   |   |   |   | Astra (1998 - 2004)                  | X            | X | X | X | - | - | - |
| <b>Tesla</b>                |   |   |   |   |   |   |   | Astra (2004 - 2010)                  | X            | • | X | • | - | - | - |
|                             |   |   |   |   |   |   |   | Astra 5 dr (2010>)                   | X            | • | X | • | - | - | - |
| Model S (2014>)             | X | • | X | • | - | - | - | Astra Estate (2010>)                 | X            | • | X | • | - | - | - |
| Model X (2016>)             | X | • | X | • | X | - | X | Astra GTC (2011>)                    | X            | • | X | • | - | - | - |
|                             |   |   |   |   |   |   |   | Astra (2015>)                        | X            | • | X | • | - | - | - |
| <b>Toyota</b>               |   |   |   |   |   |   |   | Corsa D (2007>)                      | X            | • | X | • | - | - | - |
|                             |   |   |   |   |   |   |   | Corsa 3 dr hatch (2006 - 2015)       | X            | • | X | • | - | - | - |
| Auris (2007 - 2012)         | X | • | X | • | - | - | - | Corsa 5 dr (2006 - 2015)             | X            | • | X | • | - | - | - |
| Auris (2013>)               | X | • | X | • | - | - | - | Corsa 5dr (2015>)                    | X            | • | X | • | - | - | - |
| Avensis Hatch (2003 - 2011) | X | • | X | • | - | - | - | Corsa VXR (2007>)                    | X            | • | X | • | - | - | - |
| Avensis Tourer (2009>)      | X | • | X | • | - | - | - | Crossland X (2018>)                  | X            | • | X | • | - | - | - |
| Aygo (2005 - 2014)          | X | X | - | X | - | - | - | Insignia Hatch (2009 - 2017)         | X            | • | X | • | - | - | - |
| Aygo (2014 - 2019)          | X | X | - | X | - | - | - | Insignia Saloon (2009 - 2017)        | X            | • | X | • | - | - | - |
| Aygo (2019>)                | X | • | - | • | - | - | - | Insignia Sports Tourer (2009 - 2017) | X            | • | X | • | - | - | - |
| C-HR (2017>)                | X | • | X | • | - | - | - | Insignia (2018>)                     | X            | • | X | • | - | - | - |
| Corolla (2019>)             | X | • | X | • | - | - | - | Meriva (2010>)                       | X            | • | X | • | - | - | - |
| EZ Mpv (2013>)              | X | • | X | • | - | - | - |                                      |              |   |   |   |   |   |   |

|                       | ① | ② | ③ | ④ | ⑤ | ⑥ | ⑦ |
|-----------------------|---|---|---|---|---|---|---|
| Mokka (2013>)         | X | • | X | • | - | - | - |
| Vectra (2005 - 2008)  | X | • | X | • | - | - | - |
| Viva (2015>)          | X | X | X | X | - | - | - |
| Zafira (2005 - 2014)  | X | • | X | • | - | - | - |
| Zafira Tourer (2012>) | X | • | X | • | X | - | X |

## VW

|                                |   |   |   |   |   |   |   |
|--------------------------------|---|---|---|---|---|---|---|
| Beetle (2012>)                 | X | • | - | • | - | - | - |
| Caddy (2010>)                  | X | X | X | X | X | - | X |
| Caddy Maxilife (2010 - 2015)   | X | X | X | X | X | - | X |
| Multivan Caravelle (2008>)     | X | • | X | • | • | X | • |
| Golf Convertible (2009 - 2012) | X | • | - | • | - | - | - |
| Golf Hatch Mk5 (2004 - 2008)   | X | • | X | • | - | - | - |
| Golf Hatch Mk6 (2009 - 2012)   | X | • | X | • | - | - | - |
| Golf Hatch Mk7 (2012>)         | X | • | X | • | - | - | - |
| Golf GTE Hatch Mk7 (2014>)     | X | • | X | • | - | - | - |
| E-Golf Hatch Mk7 (2014>)       | X | • | X | • | - | - | - |
| Golf Plus (2009 - 2011)        | X | • | X | • | - | - | - |
| Jetta (2011>)                  | X | • | X | • | - | - | - |
| Lupo (1999 - 2005)             | X | X | - | X | - | - | - |
| Passat (2005 - 2010)           | X | • | X | • | - | - | - |
| Passat (2010 - 2015)           | X | • | X | • | - | - | - |
| Passat Saloon (2015>)          | X | • | X | • | - | - | - |
| Passat Alltrack (2012>)        | X | • | X | • | - | - | - |
| Passat CC (2008>)              | X | • | X | • | - | - | - |
| Passat Estate (2005 - 2011)    | X | • | X | • | - | - | - |
| Passat Estate (2011 - 2015)    | X | • | X | • | - | - | - |
| Passat Estate (2015>)          | X | • | X | • | - | - | - |
| Polo (2006 - 2009)             | X | X | X | X | - | - | - |
| Polo (2009 - 2017)             | X | • | X | • | - | - | - |
| Polo (2017>)                   | X | • | X | • | - | - | - |
| Scirocco (2011>)               | X | • | - | • | - | - | - |
| Sharan (2010>)                 | X | X | • | X | X | - | X |
| T-Roc (2017>)                  | X | • | X | • | - | - | - |
| T-Cross (2019>)                | X | • | X | • | - | - | - |
| Tiguan (2008 - 2016)           | X | • | X | • | - | - | - |
| Tiguan (2016>)                 | X | • | X | • | - | - | - |
| Tiguan Allspace (2017>)        | X | • | X | • | X | - | X |
| Touareg (2003 - 2010)          | X | • | X | • | - | - | - |
| Touareg (2010 - 2017)          | X | • | X | • | - | - | - |
| Touareg (2018>)                | X | • | X | • | - | - | - |

|                      | ① | ② | ③ | ④ | ⑤ | ⑥ | ⑦ |
|----------------------|---|---|---|---|---|---|---|
| Touran (2010 - 2015) | X | X | X | X | X | - | X |
| Touran (2016>)       | X | • | X | • | X | - | X |
| UP! (2012>)          | X | • | X | • | - | - | - |
| E-UP! (2014>)        | X | • | X | • | - | - | - |

## Volvo

|                           |   |   |   |   |   |   |   |
|---------------------------|---|---|---|---|---|---|---|
| C30 (2007 - 2013)         | X | • | - | • | - | - | - |
| S40 (2004 - 2012)         | X | • | X | • | - | - | - |
| S60 (2010>)               | X | • | X | • | - | - | - |
| S80 (2007 - 2015)         | X | • | X | • | - | - | - |
| S90 (2016>)               | X | • | X | • | - | - | - |
| V40 (2013>)               | X | • | X | • | - | - | - |
| V40 Cross County (2013>)  | X | • | X | • | - | - | - |
| V50 (2004 - 2012)         | X | • | X | • | - | - | - |
| V60 (2011 - 2018)         | X | • | X | • | - | - | - |
| V60 Plug-In (2015 - 2018) | X | • | X | • | - | - | - |
| V60 (2019>)               | X | • | X | • | - | - | - |
| V70 (2008 - 2015)         | X | • | X | • | - | - | - |
| V90 (2016>)               | X | • | X | • | - | - | - |
| XC40 (2018>)              | X | • | X | • | - | - | - |
| XC60 (2013 - 2017)        | X | • | X | • | - | - | - |
| XC60 (2017>)              | X | • | X | • | - | - | - |
| XC70 (2008>)              | X | • | X | • | - | - | - |
| XC90 (2003 - 2014)        | X | • | X | • | X | - | X |
| XC90 (2016>)              | X | • | X | • | X | - | X |