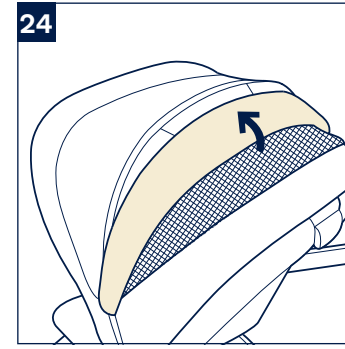
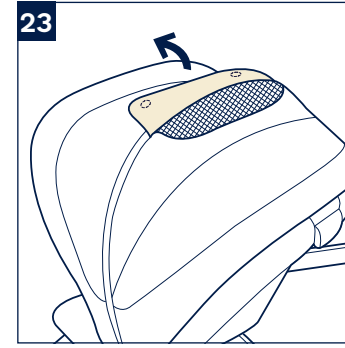
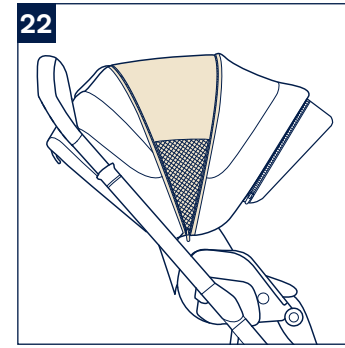
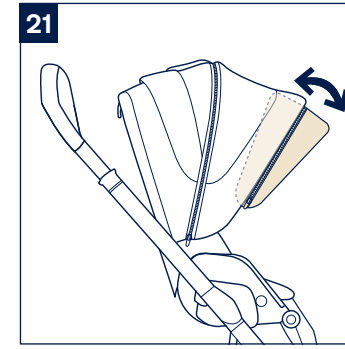
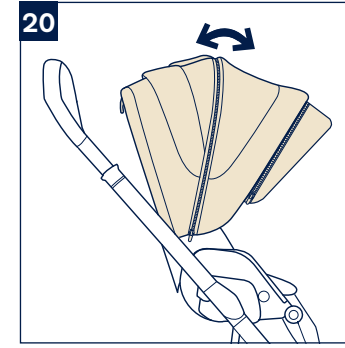
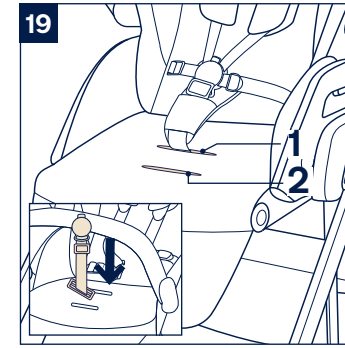
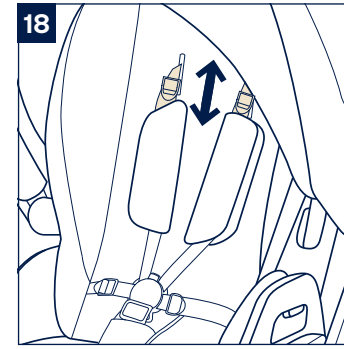
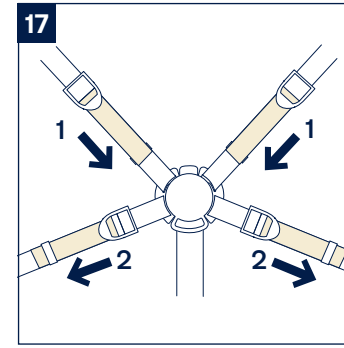
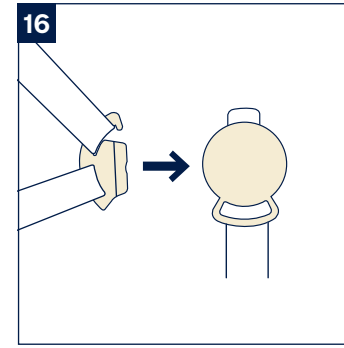
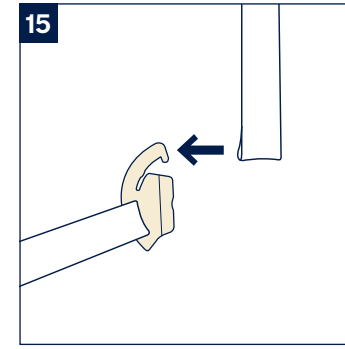
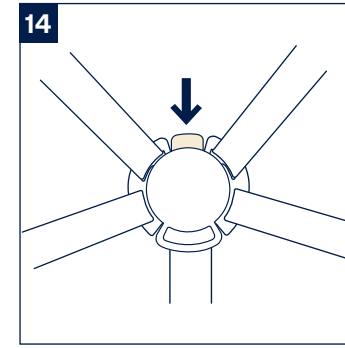
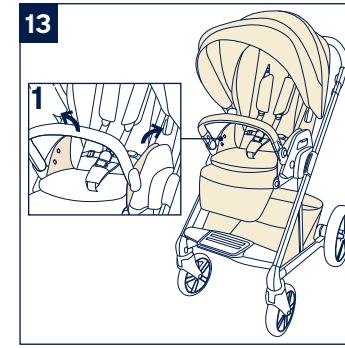
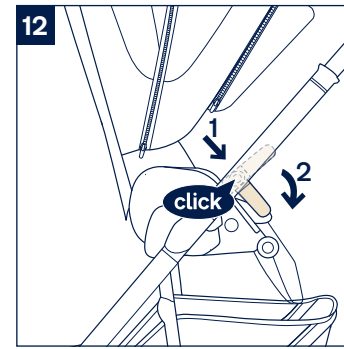
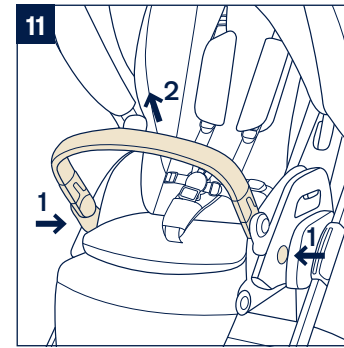
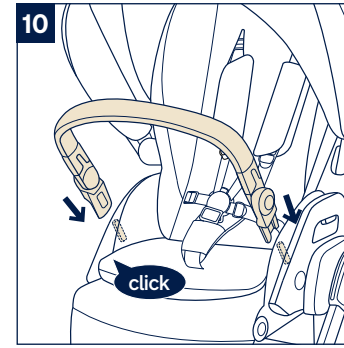
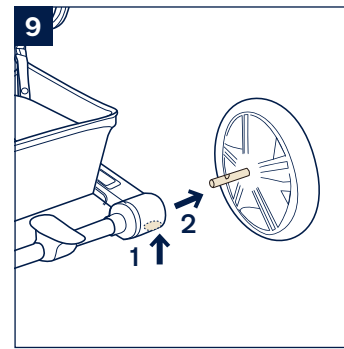
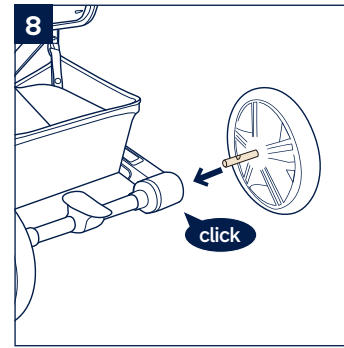
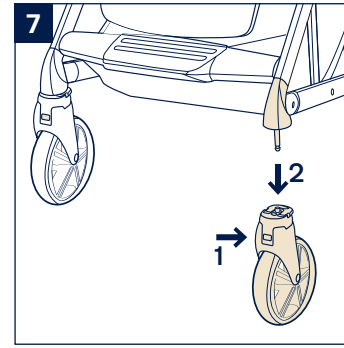
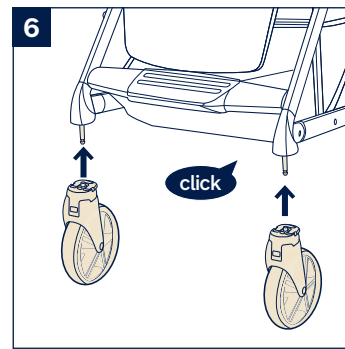
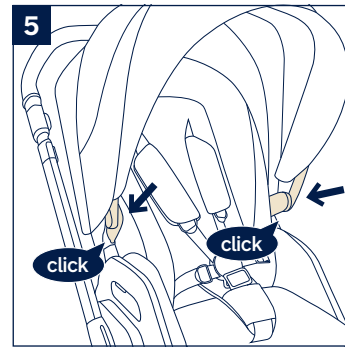
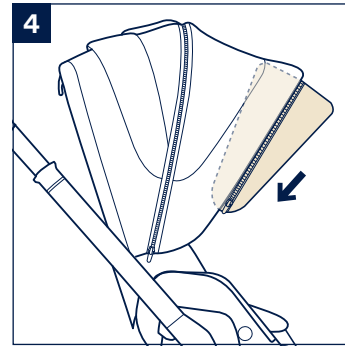
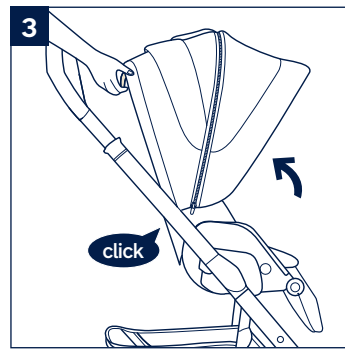
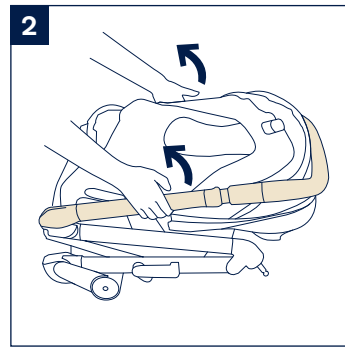
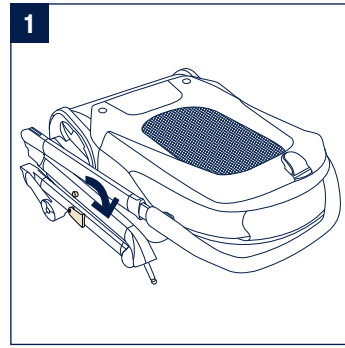
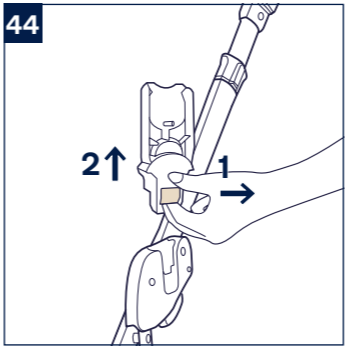
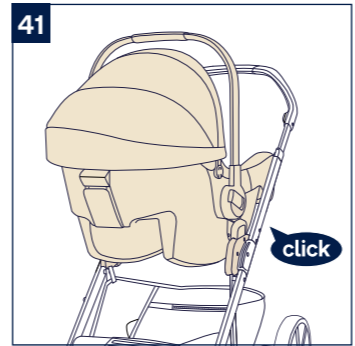
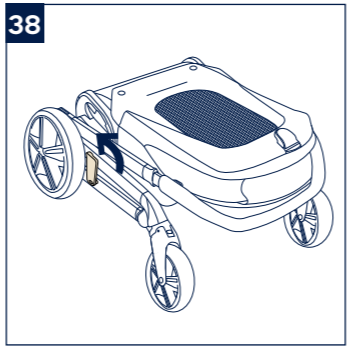
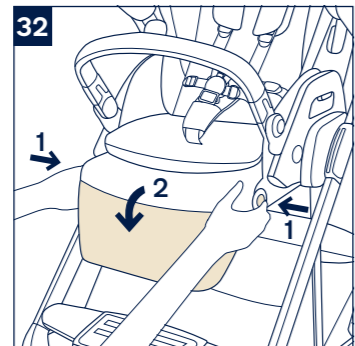
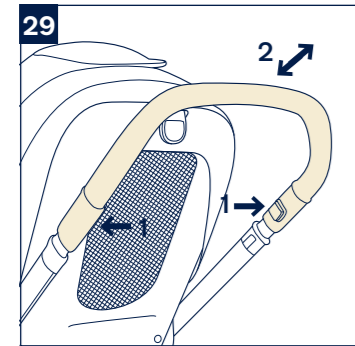
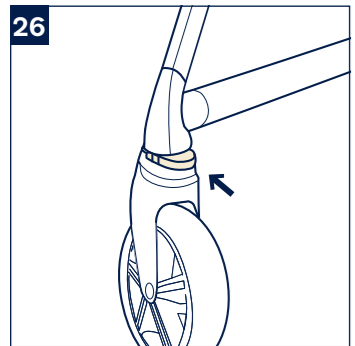
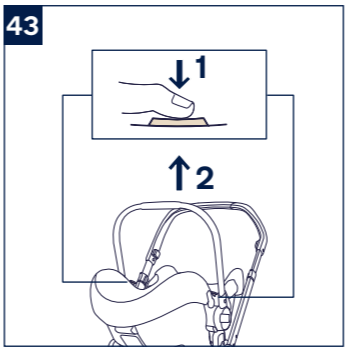
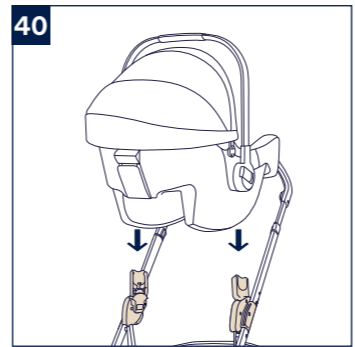
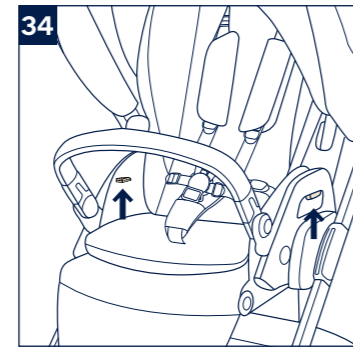
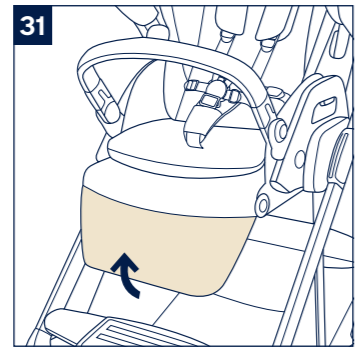
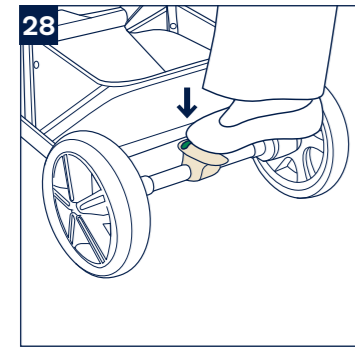
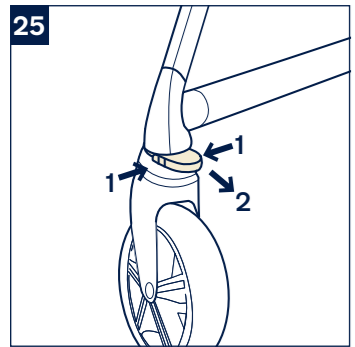


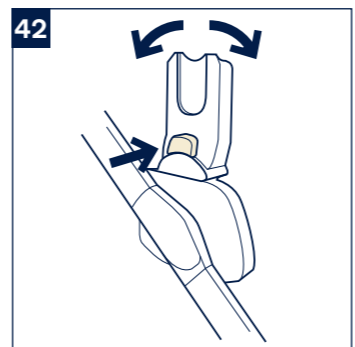
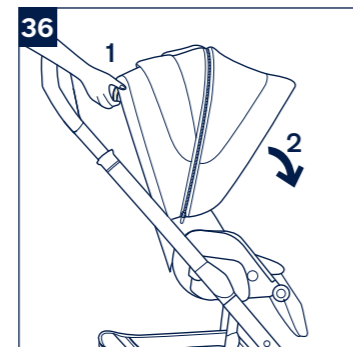
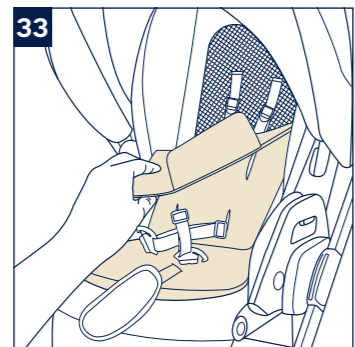
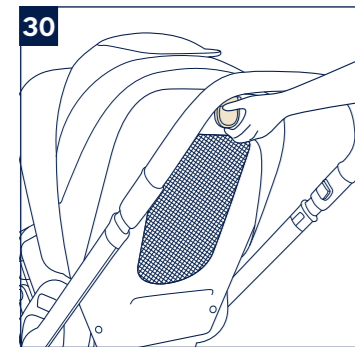
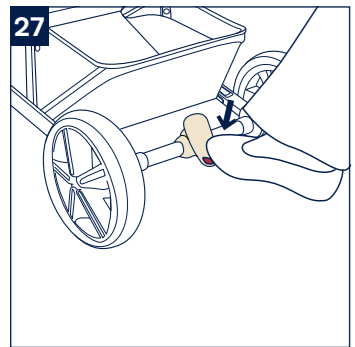
Designed  
around your life

nuna®





**IMPORTANT!  
READ CAREFULLY  
AND KEEP FOR FUTURE  
REFERENCE**



### Contents

Product Information	3
Product Registration	
Warranty	
Child Usage Requirements	4
Warnings	5
Parts List	9
Product Set Up	11
Product Use	13
Accessories	17
Car Seat Adaptor	
Rain Cover	
Cleaning and Maintenance	19
繁中	21

## Product Information

Model Number: \_\_\_\_\_

Manufactured Date: \_\_\_\_\_

### Product Registration

Please fill in the above information. The model number and the manufactured date are located on a label on the bottom of the stroller frame.

**To register your product please visit:**

[www.nunababy.com/tw/gear-registration](http://www.nunababy.com/tw/gear-registration)

### Warranty

We have purposely designed our high-quality products so that they can grow with both your child and your family. Because we stand by our product, our gear is covered by a custom warranty per product, starting from the day it was purchased. Please have the proof of purchase, model number and manufactured date available when you contact us.

**For warranty information please visit:**

[www.nunababy.com/tw/warranty](http://www.nunababy.com/tw/warranty)

## Child Usage Requirements

This Stroller is suitable for use with children who meet the following requirements:

Birth to 22 kg or 4 years whichever comes first.

When using the stroller frame with carry cot or Nuna infant carriers, refer to the child usage requirements listed in those instruction manuals.

## **WARNING**

Failure to follow these warnings and instructions could result in serious injury or death.

EN

Always use the restraint system.

Check that the pram body or seat unit or car seat attachment devices are correctly engaged before use.

Do not let the child play with this product.

Ensure that all the locking devices are engaged before use.

Never leave the child unattended.

This product is not suitable for running or skating.

To avoid injury ensure that the child is kept away when unfolding and folding this product.

Accessories which are not approved by the manufacturer shall not be used. Only replacement parts supplied or recommended by the manufacturer/distributor shall be used.

Adult assembly required.

**ALWAYS** set the parking brake when you stop.

Any damage caused by the use of accessories not supplied by Nuna will not be covered in terms of warranty.

Any load attached to the handle and/or on the back of the backrest and/or on the sides of the vehicle will affect the stability of the vehicle.

Be certain the stroller is fully erected and latched before allowing your child near the stroller.

**DO NOT** carry additional children, goods, accessories in or on the stroller except as permitted in this manual. They may cause the stroller to become unstable.

**DO NOT** leave the stroller exposed in the vicinity of a strong source of heat i.e. a radiator or open fire.

**DO NOT** place any item on the canopy.

**DO NOT** store the stroller in a damp place. Always allow the fabric to dry naturally away from direct heat.

**DO NOT** use storage basket as a child carrier.

**DO NOT** use the stroller if any parts are damaged or missing.

For car seats used in conjunction with a chassis, this vehicle does not replace a cot or a bed. Should your child need to sleep, then it should be placed in a suitable pram body, cot or bed.

Keep small parts away from children as they pose a choking hazard.

EN

Negotiate curbs and rough ground carefully. Repeated impact could cause damage to the stroller.

**NEVER** allow children to stand on the stroller.

**NEVER** carry more than one child at a time in the stroller.

**NEVER** use the stroller on stairs or escalators. You may suddenly lose control of the stroller or your child may fall out.

The harness must always be correctly fitted and adjusted. The harness is not a substitute for proper adult supervision.

The parking brake shall be engaged when placing and removing children.

Overloading, incorrect folding, and the use of accessories e.g. child seats, bag hooks, rain covers, buggy boards, etc... other than those approved by Nuna may damage or make the stroller unsafe.

Rubber tires may leave black scuff marks on smooth surfaces such as parquet, laminate and linoleum.

**STRANGULATION HAZARD** Do not place items with a string around your child's neck, suspend strings from this product, or attach strings to toys.

To avoid any danger of suffocation, remove all plastic covers before using this item and destroy or keep away from babies and children!

To prevent a hazardous, unstable condition, do not place more than 4.5 kg in the storage basket and more than 0.45 kg in the storage pocket.

USE the most reclined position for new born babies.

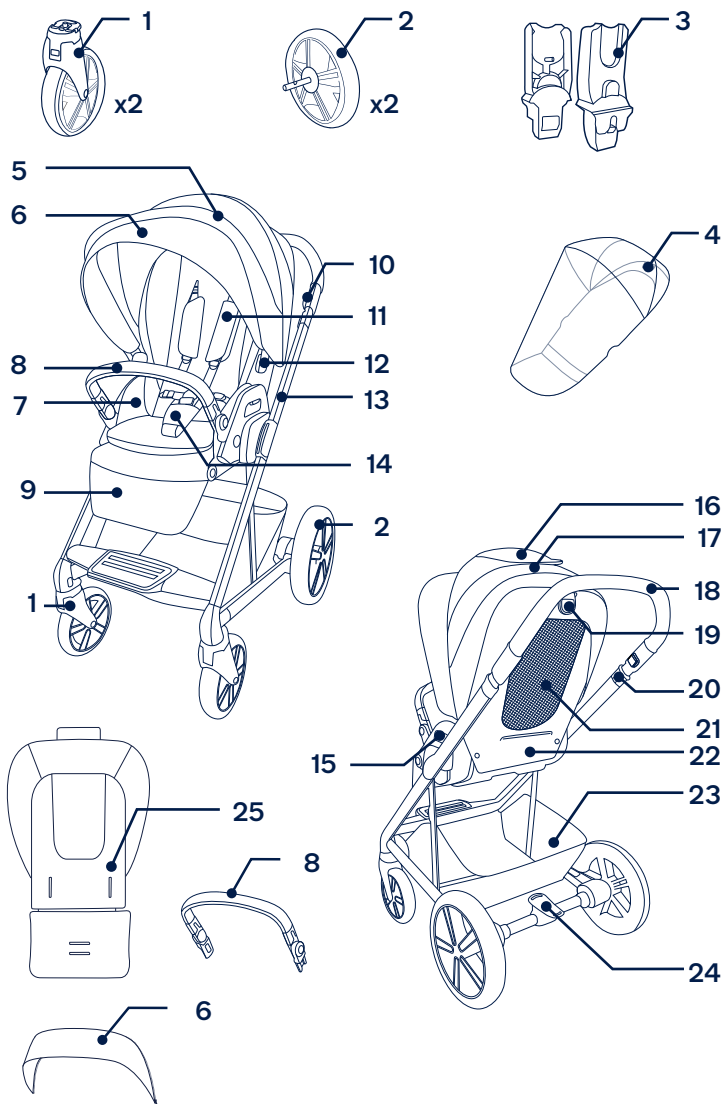
Use the pushchair with a child weighing no more than 22 kg. It will cause damage to the pushchair with an unfitted child.

# Parts List

Make sure all parts are available before assembly.  
If any part is missing, please contact local retailer. No tools are required for assembly.

**! CHOKING HAZARD:** Remove and immediately discard protective end caps from each wheel and wheel hub axle.

- |                             |                              |
|-----------------------------|------------------------------|
| 1 Front Wheel (x2)          | 14 Buckle and Crotch Cover   |
| 2 Rear Wheel (x2)           | 15 Seat Release Button       |
| 3 Car Seat Adaptor          | 16 Top Canopy Window         |
| 4 Rain Cover                | 17 Back Canopy Window        |
| 5 Canopy                    | 18 Stroller Handle           |
| 6 Canopy Visor              | 19 Recline Adjustment Button |
| 7 Seat Pad                  | 20 Folding Button            |
| 8 Armbar                    | 21 Seat Ventilation          |
| 9 Calf Support              | 22 Storage Pocket            |
| 10 Handle Adjustment Button | 23 Storage Basket            |
| 11 Shoulder Harness Pads    | 24 Brake Lever               |
| 12 Canopy Clips             | 25 Insert                    |
| 13 Stroller Frame           |                              |



# Product Set Up

## Open Stroller

- 1 - Open the storage latch as shown (1). Rotate the handle to the rear of the stroller. A “click” sound means the stroller frame is open completely. (2)
  - 2 - Squeeze the recline adjustment button on the back of the seat and rotate the backrest to the upright position. (3)
- ! Check that the stroller is open completely before continuing.

## Canopy

- 1 - Zip the canopy visor to the inside of the canopy. (4)
- 2 - Insert the canopy clips into the canopy mounts on the sides of the stroller. A “click” sound means the canopy is assembled completely. (5)

## Front Wheels

- 1 - Insert the front wheel into the front leg. A “click” sound means the wheel is assembled completely. (6) Repeat on opposite side.
- ! Check the wheel is securely attached by pulling out.
- 2 - To remove the front wheel, press the release button (7)-1 and detach the front wheel from the front leg. (7)-2

## Rear Wheels

- 1 - Insert the rear wheel into the rear leg. A “click” sound means the rear wheel is assembled completely. Repeat on opposite side. (8)

- ! Check that the wheels are securely attached by pulling them out.
- 2 - To remove the rear wheel, press the release button (9)-1 and detach the rear wheel from the rear leg. (9)-2

## Armbar

- ! Always secure the child with the harness. The armbar is not a restraint device.
- 1 - Align the armbar ends with the armbar mounts, and insert until it clicks into place. A “click” sound means the armbar is assembled completely. (10)
  - 2 - To remove the armbar, press the armbar release buttons (11)-1 and lift the armbar up. (11)-2
  - 3 - For a more compact fold when the seat is rear facing, press the armbar adjustment buttons (12)-1 and rotate the armbar down (12)-2 until it clicks into place.
- ! **NEVER** use the armbar in lowered/folded position when child is in stroller.

The completely assembled stroller is shown as (13).

### Check Set Up

- Stroller frame is latched open
- Front wheels, rear wheels securely attached
- Canopy mount attached to stroller frame and canopy attached to seat pad
- Armbar is securely attached

## Product Use

- ! The parking brake **MUST** be engaged when the stroller is stopped and when placing and removing child.

### Securing Your Child

- ! To avoid serious injury from falling or sliding out, always use the seat belt.  
Make sure the harness is adjusted properly and your child is snugly secured. The space between the child and the shoulder harness should be about the thickness of one finger. **DO NOT** cross the shoulder belts. This will cause pressure on your child's neck.
- 1 - Press the button, the buckle will release automatically. **(14)**
- 2 - Match the waist belt buckle with the shoulder buckle **(15)**, and align them with the center buckle, the buckle can lock automatically. **(16)**
- 3 - Fit the harness snugly to your child by sliding the adjustment straps to tighten **(17)-1**. Then pull the waist adjustment straps out **(17)-2**.

### Shoulder Harness Position

- 1 - The upper shoulder harness buckles can be moved up and down for added adjustment. **(18)**

### Crotch Belt

Identify crotch belt slot that will achieve a snug fit. Change crotch belt slot if necessary.

- 1 - Smaller babies use this position. **(19)-1**
- 2 - Larger babies use this position. **(19)-2**

### Canopy

- 1 - To open the canopy, pull the canopy toward the front of the seat. To close the canopy, push it back. **(20)**
- 2 - Position the canopy visor forward or backward as needed. When not in use, fold the canopy visor under the canopy. **(21)**
- 3 - Open the zipper on the canopy for extra shade and ventilation. **(22)**
- 4 - For ventilation, flip up the top canopy window cover. **(23)**
- 5 - For additional ventilation, flip up the back canopy window cover. **(24)**

The canopy is **NOT** removable.

### Front Swivel Locks

It is recommended to use the front swivel locks on uneven surfaces.

- 1 - Squeeze **(25)-1** and pull out the front swivel lock **(25)-2** to lock the front wheel forward facing. You may need to move the wheel to get it to lock.
- 2 - Push in the front swivel lock to unlock. **(26)**



## Brake

- 1 - To lock the rear wheels, step down on the red area on the brake lever. (27)
  - 2 - To unlock the rear wheels, step down on the green area on the brake lever. (28)
- ! Always apply the brake when the stroller is stopped. Push the stroller slightly to ensure the brake is engaged.

## Handle

The handle has 3 positions.

- 1 - To adjust the height of the handle, press the handle adjustment buttons (29)-1 and pull the handle up or down. (29)-2

## Recline Adjustment

There are 5 recline positions for the backrest.

- 1 - To raise or lower the backrest, squeeze the recline adjustment button, and pull the seat up or down. (30)

## Calf Support

The calf support has 2 use positions.

- 1 - To raise the calf support, lift up. (31)
- 2 - To lower the calf support, press the adjustment buttons on the sides (32)-1, and push down. (32)-2

## Insert

The insert can be removed to provide a mesh seating area for better ventilation during hot weather.

- 1 - To remove the insert, release the velcro on insert from the back of the seat, unbuckle the harness, thread the harness through the harness slots and remove the seat pad. (33)

! DO NOT remove the backrest tube.

## Reverse Seat

The seat can be used rear or forward facing.

- 1 - Squeeze the seat release buttons and lift the seat up. (34)
- 2 - Turn the seat in the opposite direction and place on the seat mounts until it clicks into place. A “click” sound means the seat is attached. (35)

! Check to make sure seat is securely attached by pulling up on it.

## Fold

Before folding, push the canopy to the rear of the stroller.

- 1 - Squeeze the recline adjustment button on the back of the seat (36)-1 and rotate the backrest to the stored position. (36)-2
- 2 - Pull up on the folding buttons (37)-1 and push the stroller forward to fold. (37)-2
- 3 - Lock the stroller by tucking the storage latch onto the storage mount. (38)

# Accessoires

## Car Seat Adaptors

When using the stroller with Nuna infant carriers, please refer to the following instructions.

- 1 - To attach the adaptors, place the adaptors onto the seat mounts as shown. A “click” sound means the adaptors are locked. **(39)**
- 2 - To attach the infant carrier, place the infant carrier onto the adaptors as shown **(40)**, A “click” sound means the infant carrier is locked. **(41)**
- 3 - The infant carrier angle can be adjusted with our adjustable adaptors. **(42)**
- 4 - To remove the infant child carrier, lift the infant carrier up **(43)-2** while pressing the stroller release buttons. **(43)-1**
- 5 - To remove the adaptors, lift the adaptors up **(44)-2** while pulling the release buttons. **(44)-1**

## Rain Cover

Check that the canopy is completely open before attaching the rain cover.

- 1 - To assemble the rain cover, place it over the stroller. **(45)**
- !** **ALWAYS** check ventilation when the rain cover is on the product.
- ALWAYS** check that the rain cover has been cleaned and dried before folding.
- DO NOT** fold the stroller when the rain cover is attached.
- DO NOT** place your child in the stroller in hot weather with the rain cover attached.

## Cleaning and Maintenance

Clean the frame, plastic parts, and fabric with a damp cloth, but do not use abrasives or bleach. Do not use silicon lubricants as they will attract dirt and grime. Do not store your stroller in a damp place.

Clean the stroller wheels regularly with water and remove any dirt.

To ensure long-lasting use, wipe off this product with a soft, absorbent cloth after using it in rainy weather.

Refer to the care label attached to the fabric for washing and drying instructions.

It is normal for fabric to color from sunlight and to show wear and tear after a long period of use, even when used normally.

For reasons of safety, only use original Nuna parts.

Check regularly if everything functions properly. If any parts are torn, broken, or missing, stop using this product.

NUNA International B.V. NUNA and all associated logos are trademarks.

## 請妥善保存本說明書 以備不時之需!

使用產品前請仔細閱讀本說明書，  
並妥善保存說明書以便日後參考。

## 目錄

產品資訊	23
保固條件	
適用範圍	24
警告	25
產品組件及各部位名稱	29
安裝手推車	31
產品使用	33
使用配件	37
汽車椅卡座	
雨篷	
維護與保養	38

# 產品資訊

產品名稱： \_\_\_\_\_

生產日期： \_\_\_\_\_

## 保固與售後服務

產品於保固期間內發生問題，請與零售商聯絡；若零售商無法提供服務，他們會聯絡當地的Nuna經銷商。產品在正常使用和老化中產生的自然磨損與劣化，並不在保固範圍內。當車輪磨損過度時，請向本公司或代理商聯繫更換(需支付費用)。請留意產品下方的產品型號與生產日期序號。當有保固需求時，請提供以上產品資訊。

請至[www.nunababy.com/tw/gear-registration](http://www.nunababy.com/tw/gear-registration)

網站登記您購買的產品。

## 保固條件

保固始於產品購買日，我們提供維修服務，但不提供產品退換。保固期限不會因零件更換或維修而延長。Nuna有權利針對產品進行改善設計，此前製造的產品則無更換義務。

相關保固資訊，詳見官網：[www.nunababy.com/tw/warranty](http://www.nunababy.com/tw/warranty)

產品名稱 MIXX next 手推車

主要材質 塑膠、鋁合金／五金、布

產地 中國

## 適用範圍

寶寶需要滿足下列要求：

最大體重：15公斤

嬰幼兒年齡：0-36個月

## 警告

Nuna MIXX next 手推車擁有專利並符合台灣標準 CNS 12940-2013 和歐洲安全標準 EN 1888-2:2018 相關規範。重要：請務必依照產品說明書和警告以避免導致嚴重傷害甚至是死亡事件發生。

- ！ 嬰幼兒的安全是您的責任。
- ！ 不得將嬰幼兒單獨留置車上無人看護。
- ！ 不得附載其它的嬰幼兒、物品或附件於推車上。
- ！ 超載或不正確的折疊及使用非經核准的零附件都可能造成車台損壞、故障或不安全，請務必閱讀製造商之說明書。
- ！ 寶寶乘坐時，安全帶或束縛系統必須正確的扣合及使用。
- ！ 當調整手推嬰幼兒車上之任何可活動配件時必須確定嬰幼兒的肢體與車台保持安全距離。
- ！ 嬰幼兒可能會滑入足底部分的缺口或造成窒息。
- ！ 禁止於樓梯間使用手推嬰幼兒車。
- ！ 使用時應遠離高溫、水池或電源之臨近範圍。
- ！ 不可讓嬰幼兒站立。
- ！ 6個月以下嬰幼兒使用時，必須使用最斜躺位置。

- ！ 不可將手推嬰幼兒車放置於馬路、坡道或危險場所。
- ！ 嬰幼兒乘坐於手推嬰幼兒車內時，不可將整個車台往上提。
- ！ 保持嬰幼兒遠離此篷罩以免造成窒息。
- ！ 六個月大以下的嬰幼兒應同時使用腰部及胯部的安全帶。
- ！ 停泊此手推嬰幼兒車時務必確實使用所有之制動裝置。
- ！ 使用前應確實豎立及固定各機構以確保安全。
- ！ 遠離火源。
- ！ 本產品適用於剛出生及體重不超過15公斤的嬰幼兒使用。
- ！ 一次僅能乘坐一位嬰幼兒。
- ！ 任何附載於車手上的重量將影響產品的穩定性，可能導致手推車翻覆的危險。
- ！ 本產品不適用於跑步和滑冰。
- ！ 使用手推車之前，請務必去掉、銷毀或是將所有附加包裝遠離嬰幼兒，以防嬰幼兒窒息。

- ! 使用時必須配用束縛系統。
- ! 調整手推車時，如打開或收合手推車，嬰幼兒須遠離手推車的活動部件。
- ! 禁止在上下樓梯／手扶梯時使用手推車。
- ! 請勿在遮陽篷上放置任何物品。
- ! 請使用Nuna原廠零配件。
- ! Nuna不保固使用其它廠商提供的零配件所造成的損害。
- ! 如果有任何零件損壞、磨破或丟失，請停止使用該產品。
- ! 請注意在粗糙地面使用時，反覆衝擊會損壞手推車。
- ! 輪胎可能會在某些表面留下黑色痕跡，特別是光滑的表面，像木地板、合層板和亞麻油地板。
- ! 請勿將產品放置潮濕的環境中，請保持產品的乾燥。
- ! 為避免窒息危險，請將小零件存放到嬰幼兒接觸不到的地方。
- ! 任意放置未經製造商核可之物品於車臺上將造成危險。

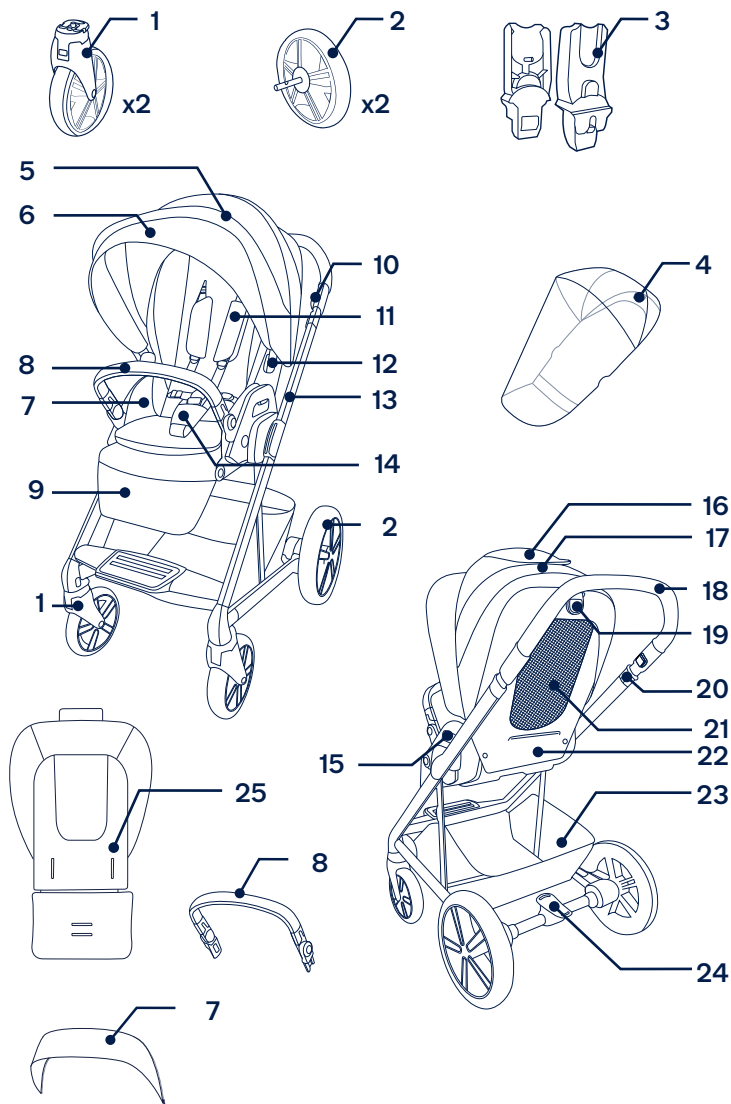
- ! 請勿擺放超過4.5公斤的物件於置物籃內，以免導致手推車不穩定而產生危險。請勿將嬰幼兒放到置物籃內。
- ! 請勿擺放超過0.45公斤的物件於置物口袋內，以免導致手推車不穩定而產生危險。
- ! 請勿允許您的嬰幼兒將手推車當玩具玩耍。
- ! 遇緊急事故時，迅速將乘坐的兒童移離現場。
- ! 將寶寶放入手推車或自手推車上抱起時，都應使用剎車裝置。
- ! 使用前請檢查睡箱或座椅或汽車椅連接裝置是否正確鎖定。
- ! 當結合汽車椅使用時，本產品不可代替睡床使用。若您的寶寶需要睡眠時，請讓寶寶睡在合適的睡床或適合寶寶睡眠的地方。

# 產品組件及各部件名稱

組裝前請確認所有部件已經齊全，如有遺漏，請與銷售商聯繫。本產品無需工具進行組裝。

**！ 窒息危險：務必去掉、丟棄每個車輪或輪軸的保護套。**

- |           |             |
|-----------|-------------|
| 1 前輪 (x2) | 14 安全扣及胯帶護片 |
| 2 後輪 (x2) | 15 座椅卡合按鈕   |
| 3 汽車椅卡座   | 16 頂篷前視天窗   |
| 4 雨篷      | 17 頂篷透氣天窗   |
| 5 遮陽篷     | 18 車手       |
| 6 遮陽片     | 19 背靠調整按鈕   |
| 7 座墊      | 20 收合按鈕     |
| 8 扶手      | 21 透氣座椅背靠   |
| 9 小腿靠     | 22 置物口袋     |
| 10 車手調整按鈕 | 23 置物籃      |
| 11 肩帶護片   | 24 剎車踏板     |
| 12 頂篷支架   | 25 小座墊      |
| 13 手推車    |             |





# 安裝手推車

## 打開手推車

- 1- 打開收合鉤(1)。
- 2- 向上拉起車手(2)，聽到“咔嚓”聲表示手推車完全打開。
- 3- 旋轉背靠到垂直位置(3)。

！ 使用手推車前務必確保車架已打開到位。

## 安裝遮陽篷

- 1- 將遮陽片上的拉鏈與遮陽篷上的拉鏈對齊，拉上拉鏈即可安裝遮陽片(4)。
- 2- 將遮陽篷固定片插入固定座內，聽到“咔嚓”聲即完成安裝(5)。

## 安裝前輪

- 1- 將前輪套入前腳，聽到“咔嚓”聲表示前輪已安裝完成(6)。
- ！ 往外輕拉，確定前輪已完整安裝。
- 2- 按壓前輪釋鎖按鈕(7)-1，同時向下拉(7)-2，即可拔出前輪。

## 安裝後輪

- 1- 將後輪套入後輪剎車組，聽到“咔嚓”聲表示後輪已安裝到位(8)。
- ！ 往外輕拉，確定後輪已完整安裝。
- 2- 按壓後輪釋鎖按鈕(9)-1，同時向外拉(9)-2，即可拔出後輪。

## 安裝扶手

！ 寶寶乘坐時必須繫上安全帶，扶手並不能確保寶寶的安全。

- 1- 將扶手卡槽對準扶手座插入，聽到“咔嚓”聲表示扶手已安裝完成(10)。
  - 2- 按壓扶手兩側釋鎖按鈕(11)-1，兩側同時向外拉即可拆卸扶手(11)-2。
  - 3- 可將座椅調成後向，按壓兩側扶手調整按鈕(12)-1並將扶手旋轉向下，收合體積更小(12)-2。
- ！ 扶手調整僅用於收合時，寶寶乘坐時切勿旋轉扶手。

手推車組裝完成後如圖13所示。

## 檢查

- 收合鉤鬆開後車架已完全展開。
- 前輪、後輪已確實安裝。
- 遮陽篷已確實安裝，支架及拉鏈皆安裝確實。
- 置物籃已確實安裝。
- 扶手已確實安裝。

## 產品使用

！ 當手推車停止、或將寶寶置入手推車、抱出手推車時，請務必使用剎車以確保安全。

## 使用安全扣

！ 為了防止寶寶摔跤，寶寶乘坐時必須繫上安全帶。

請牢牢地繫上安全帶，並注意寶寶與安全帶之間須可以放進一個手掌的厚度。

請勿交叉肩帶，以免對寶寶頸部造成壓迫。

- 1- 按下母扣上的按鈕，安全扣會自動鬆開(14)。
- 2- 將肩帶扣插入腰帶扣(15)，再將他們插入母扣內會自動扣合(16)，聽到“咔嚓”聲表示扣合到位。
- 3- 滑動織帶以調整肩帶長度(17)-1，拉緊腰部織帶(17)-2，使寶寶更加舒適。

## 調整肩帶位置

- 1- 肩帶固定栓可上下滑動調整至適當位置(18)。

## 調整胯帶位置

依寶寶的身形大小，胯帶位置可2段調節。

- 1- 適合更小的寶寶使用(19)-1。
- 2- 適合更大的寶寶使用(19)-2。

## 使用遮陽篷

- 1- 打開遮陽篷，請將遮陽篷推向前方。  
折疊遮陽篷，請將遮陽篷拉向後方(20)。
- 2- 遮陽片可向前打開或向內收起，不使用時可收合於遮陽篷內(21)。
- 3- 遮陽篷中段拉鏈可打開以延伸遮陽篷範圍(22)。
- 4- 遮陽篷天窗可打開增加透氣性(23)。
- 5- 遮陽篷後方可翻起，提供更大面積的透氣網(24)-1。

！ 遮陽篷不可移除。

## 前輪定向

！ 在碎石路面或不平路面推行時，建議鎖定前輪，便能更輕鬆地操控手推車。

- 1- 鎖定時，按壓前輪上的定向拉板兩側並向外拉出，旋轉到後方，即可固定手推車前行方向(25)。
- 2- 釋鎖時，推進定向拉板即可(26)。

## 使用剎車

- 1- 準備剎車時，踩下剎車踏板後方紅色部份即可完成剎車動作(27)。
- 2- 打開剎車時，踩下剎車踏板前方綠色部份即可完成釋鎖動作(28)。

！ 手推車停止時，請剎車。

## 調整車手

車手有3種段位可供使用。

- 1- 按壓車手兩側的調整按鈕(29)-1，同時向上或向下拉車手至適合段位(29)-2。

## 調整背靠

背靠可5段角度調節。

- 1- 調低背靠角度，請按壓背靠調整按鈕，向上或向下調整至所需的背靠角度(30)。

## 調整小腿靠

小腿靠共有2個段位可供調節。

- 1- 段位調高時，將小腿靠支撐板由下往上推即可(31)。
- 2- 段位調低時，按壓小腿靠兩側的調整按鈕(32)-1，同時向下調節小腿靠支撐板(32)-2。

## 小座墊

當天氣炎熱時，可拆卸座墊直接使用透氣通風的網孔座椅。

- 1- 欲拆卸座墊，請將座墊上方與推車連接的黏扣帶解開，按壓安全扣中間按鈕，打開安全扣，將扣具穿過座墊即可取掉座墊(33)。

！ 請勿拆卸背靠管。

## 座椅換向

座椅可以換向，可以讓媽媽和寶寶面對面。

- 1- 按壓座椅兩側釋鎖按鈕同時提起座椅(34)。
- 2- 改變座椅方向，然後插入座椅底座，聽到“咔嚓”聲表示已安裝完成(35)。

！ 安裝後，將座椅向上拉提確認是否已完整安裝。

## 收合手推車

收合手推車前，請先收攏遮陽篷。

- 1- 按壓背靠調整按鈕(36)-1，調整至收合位置(36)-2。
- 2- 抬起車手兩側的收合按鈕(37)-1，然後將車手向前壓即可收合手推車(37)-2。
- 3- 收合鉤會自動扣合，手推車收合完成後如圖38所示。

# 使用配件

## 汽車椅卡座

當與Nuna嬰兒提籃配合使用時，請依以下步驟：

- 1- 安裝汽車椅卡座，放置汽車椅卡座卡合到座椅底座上，聽到“咔嚓”聲表示汽車椅卡座卡合到位(39)。
- 2- 安裝汽車椅，放置汽車椅到汽車椅卡座上(40)，聽到“咔嚓”聲表示汽車椅卡合到位(41)。
- 3- 汽車椅角度可隨卡座調整(42)。
- 4- 移除汽車椅，按壓汽車椅兩側的釋鎖按鈕(43)-1，同時向上提起汽車椅即可(43)-2。
- 5- 移除汽車椅卡座，向外拉起汽車椅卡座上的釋鎖按鈕(44)-1同時向上提起汽車椅卡座即可(44)-2。

## 雨篷

安裝雨篷前，請確認雨篷已完全展開。

- 1- 將雨篷套到座椅上(45)。

！ 使用雨篷時，請隨時注意並確認雨篷內有良好的通風。不使用雨篷時，請先確認雨篷已清潔並乾燥，再收納。請勿收合已罩上雨篷的手推車。天氣炎熱時，請勿將寶寶放在裝有雨篷的手推車內。

# 維修與保養

可用濕布清潔車架和座布，請勿使用研磨劑或漂白劑。請勿使用潤滑劑，因為它們會吸附灰塵和污垢。請勿將手推車儲存在潮濕的地方。

請定期以水清洗輪子，並清除污垢。

為使手推車能長期使用，下雨天使用後，請用軟質可吸水的布擦拭手推車。

請參考手推車上洗滌標版內容的洗滌方式。

長期使用之後，在正常狀況下，座布可能產生褪色、磨損或撕裂。

為確保安全，請使用Nuna原廠零配件。

請定期檢查您的手推車功能是否正常與零件是否鬆弛磨損或脫落。一旦發生以上任何狀況，請立即停止使用本手推車。