

Read all instructions **BEFORE** assembly and **USE** of product.
KEEP INSTRUCTIONS FOR FUTURE USE

coveTM aire go



AVANA[®]

Designed
around your life

nuna®

IMPORTANT!
Read all instructions
BEFORE assembly and
USE of product.

**KEEP INSTRUCTIONS
FOR FUTURE USE.**

Contents

Product Information	4
Product Registration	4
Warranty	4
Contact	4
Child Usage Requirements	5
Warnings	6
Parts List	11
Product Set Up	12
Product Use	14
Accessory	18
Cleaning and Maintenance	20

Product Information

Model Number: _____

Manufactured in (date): _____

Product Registration

Please fill in the above information. The model number and the manufactured in date are located on a label on the bottom of the play yard. Fill out the prepaid registration postcard attached to the product and mail it today.

To register your product, please visit:

www.nunababy.com

Click on the “Register Gear” link on the homepage.

Warranty

We have purposely designed our high-quality products so that they can grow with both your child and your family. Because we stand by our product, our gear is covered by a custom warranty per product, starting from the day it was purchased. Please have the proof of purchase, model number and manufactured in date available when you contact us.

For warranty information, please visit:

www.nunababy.com/usa/warranty

Contact

For replacement parts, service, or additional warranty questions, please contact our customer service department.

infousa@nunababy.com

www.nunababy.com

1.855.NUNA.USA

Child Usage Requirements

Bassinet

This bassinet is suitable for use from birth, with children who meet the following requirement:

Weight: up to 15 lb (6.8 kg)

Discontinue use of the bassinet when the child begins to push up on hands and knees.

Play Yard

This play yard is suitable for use from birth, with children who meet the following requirements:

Weight: up to 30 lb (14 kg)

Height: up to 35 inches (89 cm)

Discontinue use of the play yard when the child is able to climb out.

⚠️ WARNING

Failure to follow these warnings and the instructions could result in serious injury or death.

Bassinet Warnings

The bassinet must be fully assembled and installed and mattress must be flat before using.

NEVER use this product if there are any loose or missing fasteners, loose joints, broken parts, or torn mesh/fabric. Check before assembly and periodically during use. Contact Nuna for replacement parts. Never substitute parts.

Bassinet Use

To reduce the risk of SIDS, pediatricians recommend healthy infants be placed on their backs to sleep, unless otherwise advised by your physician.

Use bassinet with only one child at a time.

If a sheet is used with the mattress, use only the one provided by Nuna or one specifically designed to fit the dimension of the mattress.

Entrapment Hazard

NEVER leave bassinet in place when child is in play yard.

NEVER place a child under the bassinet.

Fall Hazard

To help prevent falls, do not use this product when the infant begins to push up on hands and knees or has reached 15 lb (6.8 kg), whichever comes first.

ALWAYS check that the bassinet is securely locked on the base by pulling upwards on the bassinet bed.

Suffocation Hazard

Infants have suffocated:

- In gaps between extra padding and side of the bassinet, and
- On soft bedding.

Use **ONLY** the mattress provided by Nuna.

NEVER add a pillow, comforter, or another mattress for padding.

Strangulation Hazard

Strings can cause strangulation! **NEVER** place items with a string around a child's neck, such as hood strings or pacifier cords. **NEVER** suspend strings over a bassinet or attach strings to toys.

NEVER place the product near a window where cords from blinds or drapes can strangle a child.

Play Yard/General Use Warnings

Be sure the product is completely set up before use, including side rails fully erected, center of the floor pushed down completely, and mattress flat and secured by the hook and loop straps.

NEVER use this product if there are any loose or missing fasteners, loose joints, broken parts, or torn mesh/fabric. Check before assembly and periodically during use. Contact Nuna for replacement parts. Never substitute parts.

You are responsible for providing adult supervision when using your bassinet/play yard.

ALWAYS keep the bassinet/play yard away from hazards in the area that may injure your child.

DO NOT modify bassinet/play yard or add any attachments that are not listed in the owner's manual.

Play Yard Use

Discontinue use of this play yard when child is able to climb out, reaches the height of 35 in. (89 cm), or weighs more than 30 lb (14 kg).

ALWAYS provide the supervision necessary for the continued safety of your child. When used for playing, never leave child unattended.

Child can become entrapped and die when improvised netting or covers are placed on top of product. **NEVER** add such items to confine child in product.

When child is able to pull to standing position, remove bumper pads, large toys, and other objects that could serve as steps for climbing out.

To reduce the risk of SIDS, pediatricians recommend healthy infants be placed on their back to sleep, unless otherwise advised by your physician.

NEVER leave child in product with side lowered. Be sure side is in raised and locked position whenever child is in product.

DO NOT place the play yard close to an open fire or other heat source such as stoves, heaters, fireplaces and other hazards which can cause injury to your child.

Strangulation Hazard

Strings can cause strangulation! **NEVER** place items with a string around a child's neck such as hood strings or pacifier cords. **NEVER** suspend strings over product or attach strings to toys.

NEVER place product near a window where cords from blinds or drapes can strangle a child.

Suffocation Hazard

Infants can suffocate:

- In gaps between a mattress too small or too thick and product sides
- On soft bedding.

NEVER add a mattress, pillow, comforter, or padding.

Use **ONLY** mattress provided by Nuna. Using a thicker or a different sized mattress may allow a child's head to get between mattress and side of the play yard, causing suffocation.

If a sheet is used with the mattress, use only the one provided by Nuna or one specifically designed to fit the dimension of the mattress.

NEVER use plastic shipping bags or other plastic film as mattress covers not sold and intended for that purpose. They can cause suffocation.

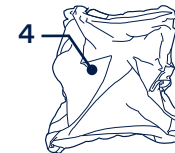
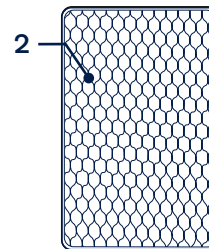
NEVER use mattress without the boards installed.

NEVER use a water mattress with this product.

Parts List

Make sure all parts are available before assembly. If any part is missing, please contact Nuna (see page 4 for information). No tools are required for assembly.

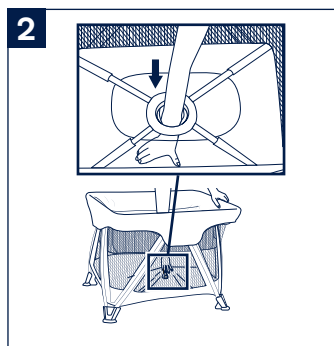
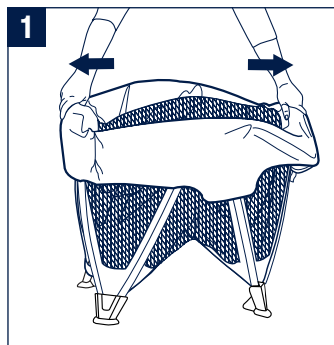
- 1 Play Yard/Bassinet
- 2 Mattress
- 3 Storage Bag
- 4 Sheet



Product Set Up

- 1 - To open the play yard frame, pull the short sides of the frame out.
- 2 - Reach through the bassinet and push down on the center hub at the bottom of the play yard.

MAKE SURE the bottom of the play yard is pushed all the way to the floor.



Product Use

Bassinet

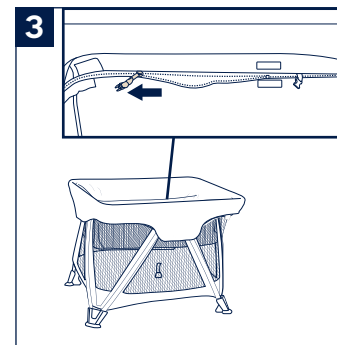
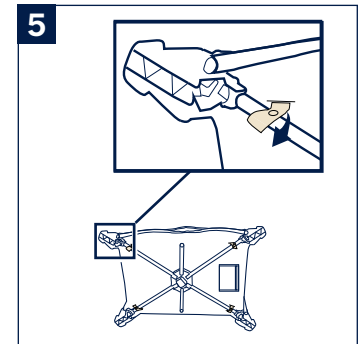
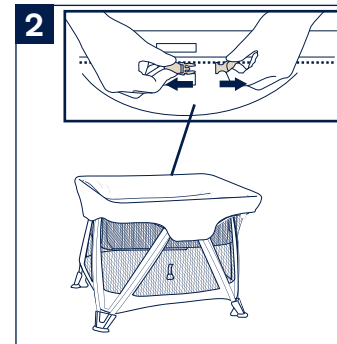
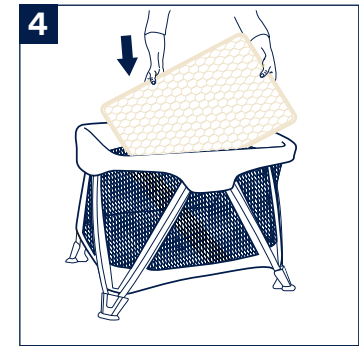
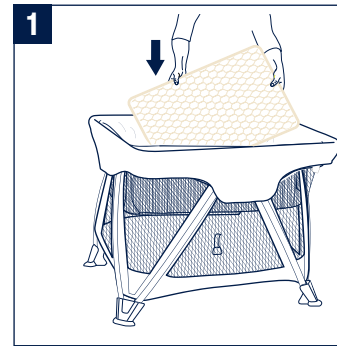
- 1 - Place the mattress inside the bassinet. Bassinet set up is complete.

Play Yard

Remove the mattress from the bassinet.

- 2 - Release the zipper buckle inside the bassinet.
- 3 - Unzip the bassinet and remove it from the play yard.
- 4 - Place the mattress on the bottom of the play yard by feeding the straps on the corners through the slits in the bottom of the play yard.
- 5 - Pull the strap through the slit on the bottom of the play yard. Wrap the strap around the tube and fasten the snaps. Repeat on the other corners.

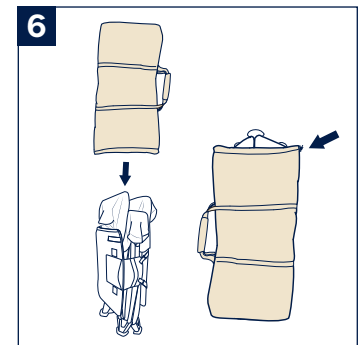
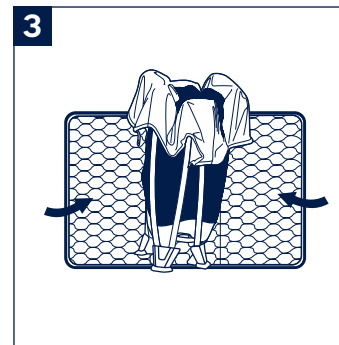
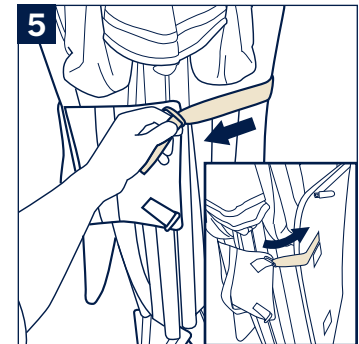
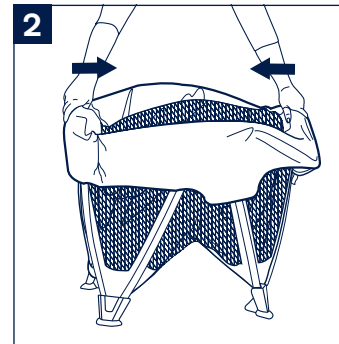
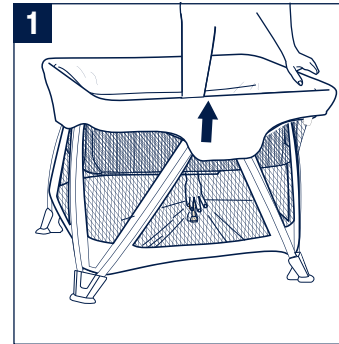
Push down on all four corners of the mattress to ensure the mattress is secured to the bottom of the play yard.



Fold

Remove the mattress from the play yard before folding.

- 1 - Grab the strap on the bottom of the play yard and pull up.
- 2 - Pull the sides together towards the center. Do not force.
- 3 - Wrap the mattress around the play yard.
- 4 - Pull the fabric flap from its pouch on the side of the mattress.
- 5 - Guide the hook and loop straps through the plastic loops on the corners of the fabric flap and attach them on the side of the mattress.
- 6 - Place the storage bag over the play yard and pull the drawstring to close the storage bag.



Instruction Storage

- 1 - Store your instructions underneath the play yard in the storage pocket as shown.

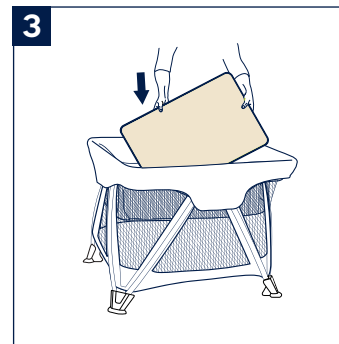
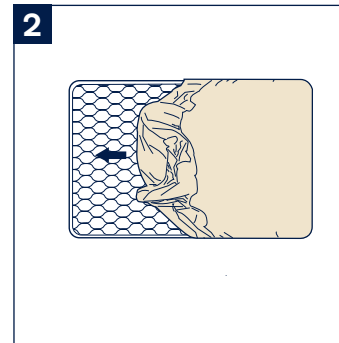
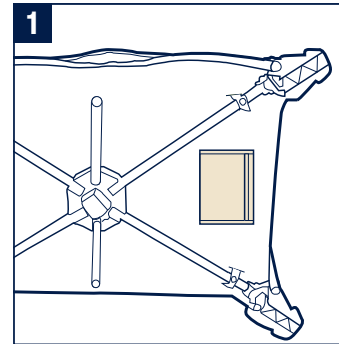
Accessory

⚠️ WARNING

Prevent possible suffocation or entanglement.
NEVER use play yard sheet unless it fits securely on play yard mattress.

Sheet

- 2 - Wrap the sheet around the mattress on all four corners. **MAKE SURE** the sheet is securely attached to the four corners.
- 3 - Once the sheet is attached, place the mattress inside the play yard. **MAKE SURE** that the four hook and loop patches on the sheet are securely attached to the four corners of the play yard.



Cleaning and Maintenance

Mattress

- 1- To wash your mattress, remove the three boards by unfastening the zipper and pulling the boards out.
- ⚠ **ALWAYS** fasten the zipper on the mattress before washing. Refer to the care label attached to the fabric for washing and drying instructions.
 - ⚠ **NEVER** use the mattress without the boards installed.

Bassinet/Play Yard

Your play yard frame and bassinet can be spot cleaned with a sponge and mild soapy water. The covering material is not removable. **DO NOT** soak. **DO NOT** use abrasives or bleach.

Thoroughly dry before using or storing. Avoid exposure to heat and sunlight.

